

SILCA NEWS

ALL THE NEW KEYS, AUTOMOTIVE SOLUTIONS, KEY CUTTING MACHINES, SOFTWARE UPDATES AND MUCH MORE

2024
MARCH

NR.
03

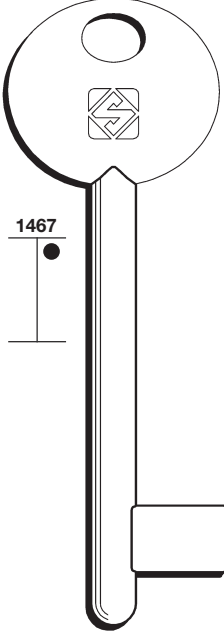


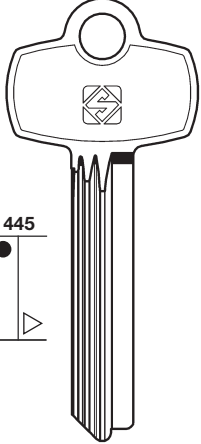


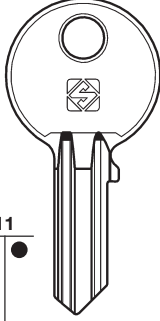




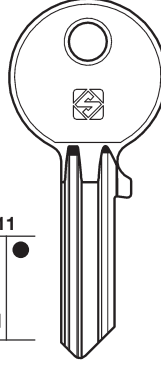




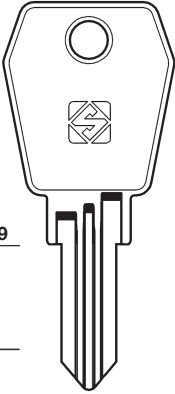



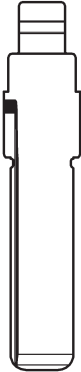
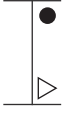



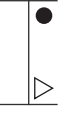


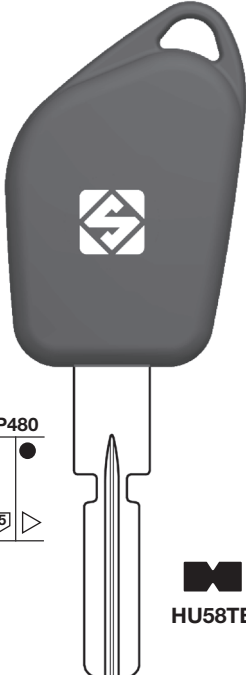





NETWORK WITH US



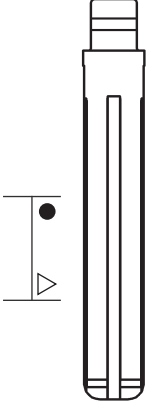


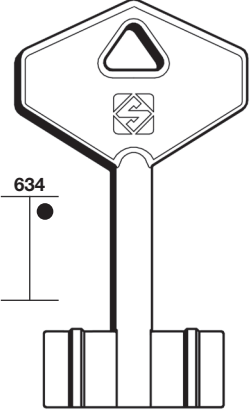


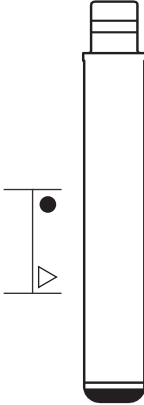


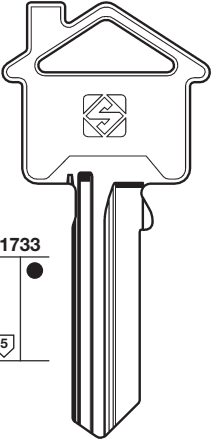


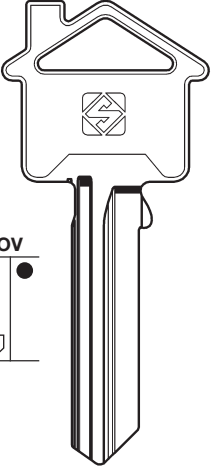


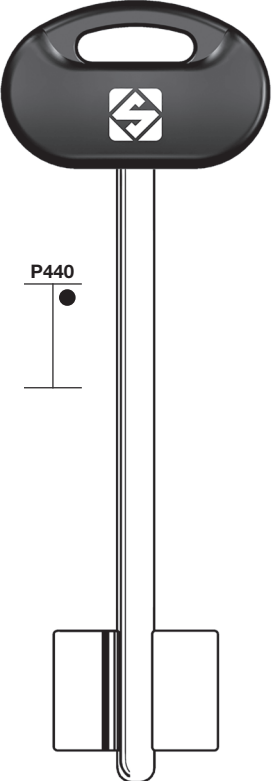




Silca key blanks are compatible with third party manufacturers' cylinders specified here below:

AGB*	BEST*	CISA*		
 <p>1467</p>  <p>6AGB7</p>  <p>8 052782 040738</p> <p>Box of 25</p>	 <p>445</p>  <p>BES23 TB</p>  <p>8 052782 044781</p> <p>Box of 100</p>	 <p>11</p>  <p>4</p>  <p>CS190</p>   <p>8 052782 043708</p> <p>Box of 100</p>	 <p>11</p>  <p>5</p>  <p>CS191</p>   <p>8 052782 043715</p> <p>Box of 100</p>	<p>AGB*^(IT)</p> <p>BEST*^(US)</p> <p>CISA*^(IT)</p> <p>EURO LOCKS*^(BE)</p> <p>HUF*^(DE)</p>
EURO LOCKS*	HUF*			
 <p>879</p>  <p>7</p>  <p>EU25</p>  <p>8 052782 043722</p> <p>Box of 100</p>	   <p>HU66CH1</p>  <p>8 052782 041339</p> <p>Pack of 1</p>	   <p>HU134CH</p>  <p>8 052782 041346</p> <p>Pack of 1</p>	 <p>P480</p>  <p>5+5</p>  <p>HU58TE</p>  <p>8 052782 042534</p> <p>Box of 5</p>	<p>(*) This is a trademark of a third party not affiliated nor linked with Silca S.p.A. or the dormakaba Group. Silca S.p.A. and dormakaba Group do not own any intellectual property right nor have been granted any license with regard to such trademark, which is hereby used only to indicate the intended purpose of Silca's products.</p>

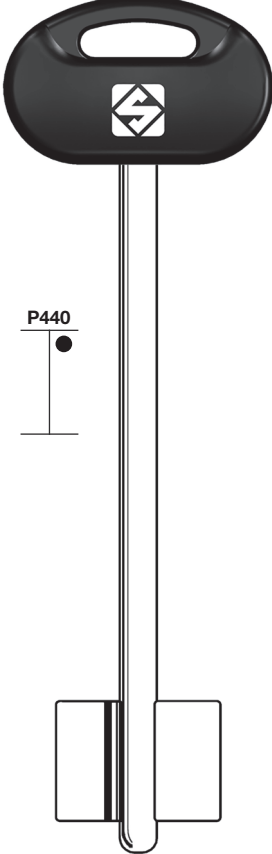


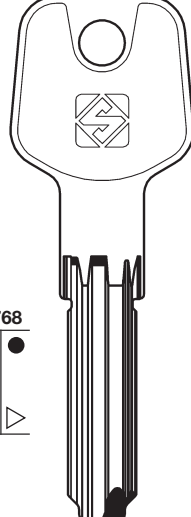


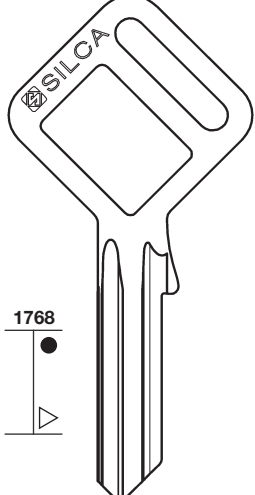


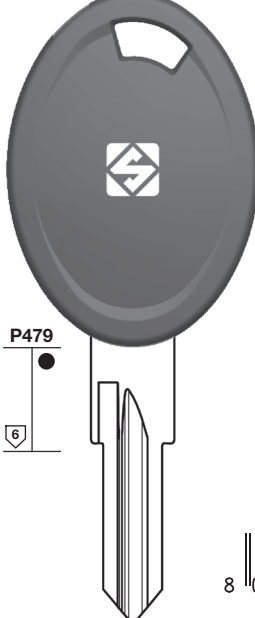


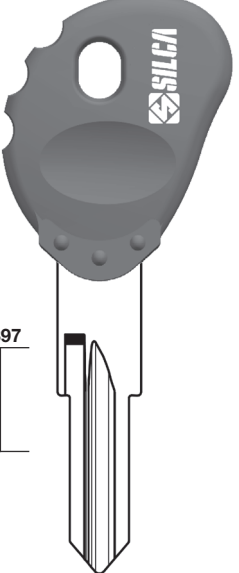




Silca key blanks are compatible with third party manufacturers' cylinders specified here below:

HYUNDAI*	ITAL*	KIA*	HYUNDAI* ^(KR) ITAL* ^(IT) KIA* ^(KR) LOCKWOOD* ^(AU) MOTTURA* ^(IT)
  <p>HYN20CH</p>  <p>8 052782 041353 Pack of 1</p>	  <p>5IT9</p>  <p>8 052782 042107 Box of 25</p>	  <p>KIA9CH</p>  <p>8 052782 041360 Pack of 1</p>	<p>(*) This is a trademark of a third party not affiliated nor linked with Silca S.p.A. or the dormakaba Group. Silca S.p.A. and dormakaba Group do not own any intellectual property right nor have been granted any license with regard to such trademark, which is hereby used only to indicate the intended purpose of Silca's products.</p>
<p>LOCKWOOD*</p>   <p>LW4BB</p>  <p>8 052782 043074 Box of 10</p>	<p>MOTTURA*</p>   <p>LW5BB</p>  <p>8 052782 043098 Box of 10</p>	  <p>5MT27BP</p>  <p>8 052782 042169 Box of 25</p>	



Silca key blanks are compatible with third party manufacturers' cylinders specified here below:

MOTTURA*	TITAN*	YALE*	
 <p>P440</p>  <p>5MT29BP</p>  <p>8 052782 042176</p> <p>Box of 25</p>	 <p>1768</p>  <p>TN58</p>  <p>8 052782 043456</p> <p>Box of 50</p>	 <p>1768</p>  <p>YA226FZ</p>  <p>8 052782 042527</p> <p>Box of 50 - Assorted colours</p>	<p>MOTTURA*^(IT)</p> <p>TITAN*^(SI)</p> <p>YALE*^(IT)</p> <p>ZADI*^(IT)</p>
ZADI*			
 <p>P479</p>  <p>ZD24RBTE</p>  <p>8 052782 043289</p> <p>Box of 5</p>  <p>P397</p>  <p>ZD23RCPX</p>  <p>8 052782 043302</p> <p>Box of 25</p> <div data-bbox="1029 1568 1141 1713"> <p>Blue head Testa blu Blau Kopf Tête beu Cabeza azul Cabeça azul</p> </div>			

(*) This is a trademark of a third party not affiliated nor linked with Silca S.p.A. or the dormakaba Group. Silca S.p.A. and dormakaba Group do not own any intellectual property right nor have been granted any license with regard to such trademark, which is hereby used only to indicate the intended purpose of Silca's products.



UPDATE YOUR SMART PRO NOW!

FREE Update

Data update with new vehicle applications / Aggiornamento dati con nuove applicazioni veicolo / Datenaktualisierung mit neuen Fahrzeug-Anwendungen / Mise à jour des données avec des nouvelles applications de véhicules / Actualización de datos con nuevas aplicaciones de vehículos / Atualização de dados com novas aplicações de veículos

Silca Advanced Diagnostics software to program car keys compatible with third party makes and models specified below:

REGION	MAKE*	MODEL*	YEAR START	YEAR END	KEY TYPE	SW MODULE
Europe	Isuzu	D-Max	2017	2020	PROX	ADS2135
Europe	Chevrolet	Epica	2006	2011	BLADE	ADS2102
Europe	Hyundai	Bayon	2020	2024	BLADE	ADS2321
Asia	Honda	Fit Shuttle	2022	2024	PROX	ADS2193
Asia	Honda	N-VAN	2018	2024	BLADE	ADS2166
Asia	Subaru	Levorg	2020	2023	PROX	ADS2330
Asia	Mitsubishi	Delica Mini	2023	2024	PROX	ADS2297
Asia	Subaru	XV	2018	2022	PROX	ADS2255
Australia	Hyundai	Santa Fe	2020	2023	BLADE	ADS2331
Australia	Chevrolet	Silverado 2500	2017	2019	BLADE	ADS2279
Australia	Toyota	Land Cruiser	2021	2024	PROX	ADS2328
Australia	Kia	Cerato	2023	2024	PROX	ADS2321
Australia	Hyundai	Santa Fe	2020	2023	PROX	ADS2280
Australia	Hyundai	EV5	2023	2024	PROX	ADS2280
Australia	Hyundai	EV6	2022	2024	PROX	ADS2280
New Zealand	Fiat	Stilo	2001	2008	BLADE	ADS2121
S. America	Chevrolet	Trax	2024	2024	PROX	ADS2290

(*) This is a trademark of a third party not affiliated nor linked with Silca S.p.A. or the dormakaba Group. Silca S.p.A. and dormakaba Group do not own any intellectual property right nor have been granted any license with regard to such trademark, which is hereby used only to indicate the intended purpose of Silca's products.

> More info at mykeyspro.com

Silca Remote Car Key HU-VR22 compatible with Volkswagen*

New Remote Key

Silca is pleased to introduce a new reference for duplicating remotes for popular Volkswagen Group models like the Golf, Polo, Audi A3, Seat Leon and Skoda Octavia. The Silca Remote Car Key HU-VR22 has a similar design to the original key and is supplied ready-to-programme with two flip blades, HU66 and HU162 included.



HU-VR22

Flip blades HU66 & HU162

 The Silca Remote Car Key HU-VR22 has been produced in conformity with CE mark European standards.



Nuova Chiave Radiocomando

Silca presenta una nuova referenza per la duplicazione di chiavi radiocomandi compatibile con con diversi modelli importanti dal gruppo Volkswagen come Golf, Polo, Audi A3, Seat Leon e Octavia. Silca HU-VR22 ha un design simile della chiave originale ed è fornito con due inserti differenti da installare a seconda del modello auto.

Neuer Silca-Fernbedienungsschlüssel

Silca präsentiert eine neue Referenz für das Kopieren von Fernbedienungsschlüsseln beliebten Volkswagen Group-Modellen wie dem Golf, Polo, Audi A3 und dem Skoda Octavia kompatibel ist. Der Silca-Fernbedienungsschlüssel HU-VR22 hat das gleiche Design des Originalschlüssels und ist mit PCB, Transponder und zwei klappbaren Schäften programmierbereit.

Nouvelle Clé Télécommande

Silca présente un nouvel article pour reproduire des clés télécommande de nombreux modèles populaires compatible avec Volkswagen, Audi, Skoda et Seat. HU-VR22 a un design similaire à la clé originale et est prête à être programmée car elle est dotée de deux inserts différents à installer en fonction du modèle de voiture.

Nova Chave Mando Silca

A Silca apresenta uma nova referência para a duplicação de chaves comando compatível com numerosos modelos populares de Volkswagen, Audi, Skoda e Seat. A chave mando Silca HU-VR22 tem o mesmo design da chave original e está pronta para ser programada. De facto, está provida de PCB, transponder e dois canais flip.

Nueva Llave Comando Silca

Silca presenta una nueva referencia para duplicar llaves mando compatible con numerosos modelos populares de Volkswagen, Audi, Skoda y Seat. La llave mando Silca HU-VR22 presenta el mismo diseño que la llave original y está lista para ser programada. De hecho, está equipada con PCB, transponder y dos espadines flip.



> More info at mykeyspro.com

* This is a trademark of a third party not affiliated nor linked with Silca S.p.A. or the dormakaba Group. Silca S.p.A. and dormakaba Group do not own any intellectual property right nor have been granted any license with regard to such trademark, which is hereby used only to indicate the intended purpose of Silca's products.

Silca Remote Car Key HU-VR22 compatible with Volkswagen*

Application list for HU-VR22

Make*	Model*	Chassis	From	To	Trp ID	Frequency	Silca profile
Audi	A3	8V (GEN 3)	2012	2019	88	433 AM	HU66
Audi	Q2	GA (GEN 1)	2017	2019	88	433 AM	HU162
Seat	Ateca	KH	2016	2018	88	433AM	HU162
Seat	Cupra		2016	2017	88	433AM	HU162
Seat	Ibiza	6J - MQB	2015	2017	88	433AM	HU66
Seat	Leon	5F	2012	2015	88	433AM	HU66
Seat	Leon	5F	2016	2019	88	433AM	HU162
Seat	Toledo	KG	2013	2019	88	433AM	HU66
Skoda	Fabia	NJ	2014	2020	88	433AM	HU162
Skoda	Octavia	5E	2012	2019	88	433AM	HU66
Skoda	Rapid	NH	2015	2019	88	433AM	HU66
Skoda	Superb	3V	2015	2023	88	433AM	HU162
Volkswagen	Crafter	SY/SX	2018	2024	88	433AM	HU162
Volkswagen	Golf	5G	2013	2018	88	433AM	HU66
Volkswagen	Polo	6R - MQB	2014	2017	88	433AM	HU162
Volkswagen	Tiguan	5N	2015	2018	88	433AM	HU162
Volkswagen	Touran	5T	2016	2024	88	433AM	HU162
Volkswagen	T-Roc	A11	2018	2018	88	433AM	HU162

For the full range of Silca Car Remotes download the new March edition of the catalogue at silca.biz



> More info at mykeyspro.com

* This is a trademark of a third party not affiliated nor linked with Silca S.p.A. or the dormakaba Group. Silca S.p.A. and dormakaba Group do not own any intellectual property right nor have been granted any license with regard to such trademark, which is hereby used only to indicate the intended purpose of Silca's products.



MY THINKS Collection

SILCA MYTHINKS is an exclusive range of charms, perfect for embellishing gifts, key rings or bags.

Born in the jewellery industry, the charms are **100% made in Italy** and can be personalized in-store with the **Techla engraving machine**.

SILCA MYTHINKS es una gama exclusiva de charms, perfecta para adornar regalos, llaveros o bolsos.

Nacidos en el sector de la joyería, los charms se fabrican al **100% en Italia** y se pueden personalizar en la tienda con la **máquina de grabado Techla**.

SILCA MYTHINKS ist ein exklusives Sortiment an Anhängern, die sich perfekt zur Verschönerung von Geschenken, Schlüsselanhängern oder Taschen eignen.

Die Charms werden zu **100% in Italien** hergestellt und können im Geschäft mit der **Techla-Gravurmaschine** personalisiert werden.

SILCA MYTHINKS é uma gama exclusiva de charms, perfeita para embelezar presentes, porta-chaves ou bolsos.

Nascidos na indústria joalheira, os pingentes são **100% fabricados na Itália** e podem ser personalizados na loja com a **máquina de gravação Techla**.

SILCA MYTHINKS est une gamme exclusive d'articles à graver de la gamme charme. Ces articles sont parfaits pour embellir des cadeaux, des trousseaux de clés ou des sacs.

Les articles de la gamme charme sont à **100% fabriqués en Italie** et peuvent être personnalisés en magasin avec la **machine de gravure Techla**.

TECHLA ENGRAVING MACHINE

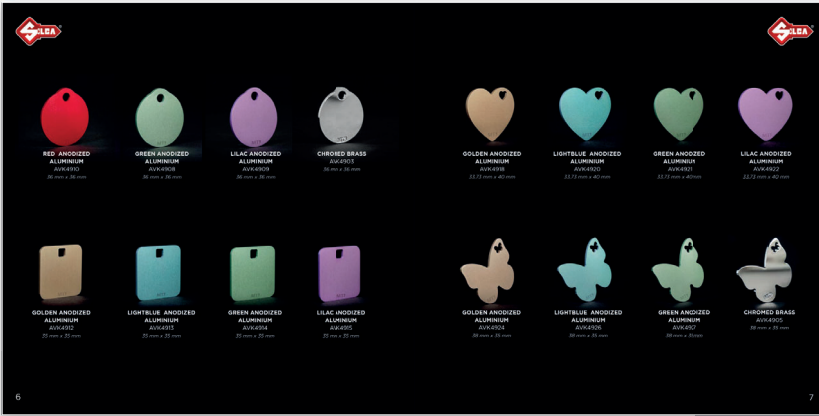


NON DISPONIBILE IN ITALIA

> More info at [Silca websites](#) and [mykeyspro.com](#)

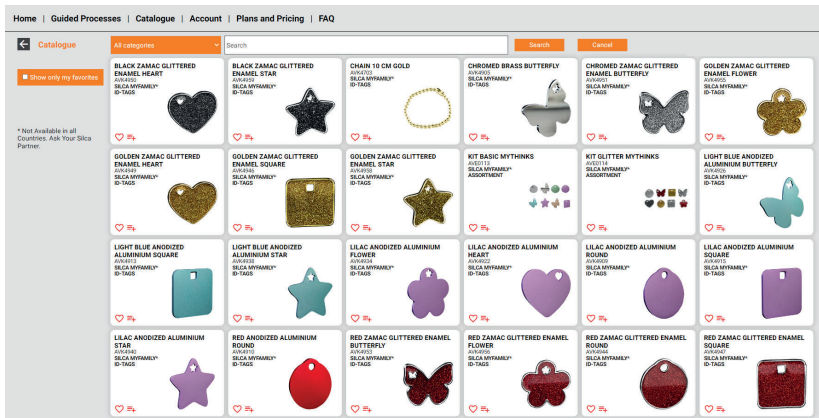
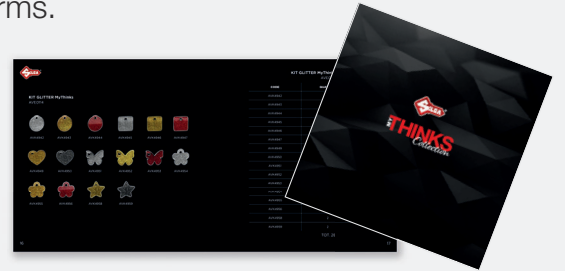


MY THINKS Collection



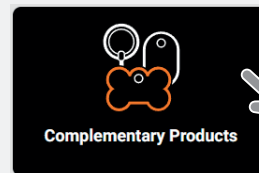
WIDE RANGE

Download the brochure from Silca websites and discover the complete range of charms.



MYKEYS PRO CATALOGUE

More information at mykeyspro.com in "Complementary Products"











SKP PRO 1/2024
for Web Subscribers

New cutting cards and series / Nuove schede e serie / Neue Karten und Serien / Nouvelles fiches et séries / Nuevas fichas y series / Novas fichas e séries

SKP PRO 1/2023 - v. 31.6.0.x - Web Update

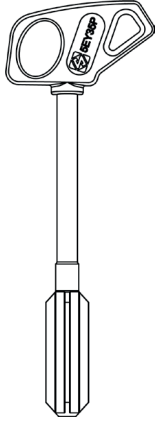
TRIAx PROGRAM		CODE PROGRAM	
Lock Manufacturer*	Lock System*	Lock Manufacturer*	Lock System*
DOM* 	DOM RS 7SI (Prf. 302) (6+5)	DOM* 	DOM RS 7SI (Prf. 302) (6P)
DOM* 	DOM RS 7SI (Prf. 303) (6+5)	DOM* 	DOM RS 7SI (Prf. 303) (6P)
DOM* 	DOM RS SIRIUS (Prf. 300-301) (6+5)	DOM* 	DOM RS SIRIUS (Prf. 300-301) (6P)
FTH THIRARD*	Fth Traffic 6	dormakaba* GEGE*	PX-PXP (6P)
IFAM*	Start R (6P)	IFAM*	Start S (6P)
MOTTURA*	Mottura Project (6P)	KELOP*	K100
THIRARD*	Traffic 12 - 30 mm		

(*) This is a trademark of a third party not affiliated nor linked with Silca S.p.A. or the dormakaba Group. Silca S.p.A. and dormakaba Group do not own any intellectual property right nor have been granted any license with regard to such trademark, which is hereby used only to indicate the intended purpose of Silca's products.

> More info on [all Silca websites](#)

Silca key blanks are compatible with third party manufacturers' cylinders specified here below:

Mul.T.lock* (IT)



(5YE35P)



BRAVO



REKORD

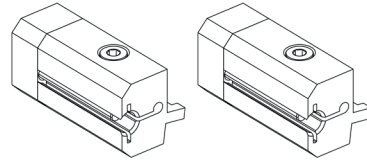
OPTIONAL



D7A8459ZB

Device set OMEGA Bravo-Rekord
 Set Dispositivo OMEGA Bravo-Rekord
 Gerätesatz OMEGA Bravo-Rekord
 Dispositif OMEGA Bravo-Rekord
 Dispositivo OMEGA Bravo-Rekord
 Dispositivo OMEGA Bravo-Rekord

NEW



(*) This is a trademark of a third party not affiliated nor linked with Silca S.p.A. or the dormakaba Group. Silca S.p.A. and dormakaba Group do not own any intellectual property right nor have been granted any license with regard to such trademark, which is hereby used only to indicate the intended purpose of Silca's products.

> More info at mykeyspro.com



LEGAL NOTES

In compliance with current regulations relating to industrial property, please note that - but for "Silca", "dormakaba", "Kaba", "Ilco" and "Advanced Diagnostics" - the trademarks or trade names mentioned in our document are the exclusive property of third parties not affiliated nor linked with Silca S.p.A. or the dormakaba Group. Silca S.p.A. and dormakaba Group do not own any intellectual property right nor have been granted any license with regard to such trademarks and trade names, which are hereby used only to indicate the intended purpose of Silca's products. / This catalogue is reserved exclusively for professional key cutters who use Silca products. The illustrations and technical data regarding the products in the document are to be considered indicative. Silca reserves the right to alter products designs, dimensions or info to improve the products quality. The contents of this document are fully protected by Copyright and may not be copied or reproduced in any form, without written permission from Silca S.p.A. For any dispute the competent Court is that of Treviso, the applicable law is that of Italy.

RECHTLICHE HINWEISE

In Übereinstimmung mit den geltenden Bestimmungen zum gewerblichen Eigentum weisen wir darauf hin, dass - mit Ausnahme von "Silca", "dormakaba", "Kaba", "Ilco" und "Advanced Diagnostics" - die in unserem Dokument erwähnten Markenzeichen oder Handelsnamen das ausschließliche Eigentum Dritter sind, die weder der Silca S.p.A. noch der dormakaba Gruppe angehören oder mit diesen verbunden sind. Diese Markenzeichen oder Handelsbezeichnungen werden hier nur erwähnt, um auf die bestimmungsgemäße Verwendung der Silca-Produkte hinzuweisen. / Dieser Katalog ist ausschließlich professionellen Schlüsseldiensten vorbehalten, die Silca-Produkte verwenden. Die in diesem Dokument enthaltenen Abbildungen und technischen Daten der Produkte sind als Richtwerte zu betrachten. Silca behält sich vor, etwaige Änderungen, die zur Verbesserung des Produktes beitragen, vorzunehmen. Alle Zeichnungen und Fotos sind Eigentum der Firma Silca. Jede Reproduktion, auch teilweise, ist ohne ausdrückliche Genehmigung der Silca S.p.A. gesetzlich untersagt. Für alle Streitigkeiten ist das Gericht von Treviso zuständig, das geltende Recht ist italienisch.

AVISOS LEGALES

En cumplimiento de la normativa vigente en materia de propiedad industrial, se recuerda que, salvo para "Silca", "dormakaba", "Kaba", "Ilco" y "Advanced Diagnostics", las marcas y los nombres comerciales citados en nuestro documento son propiedad exclusiva de terceras sociedades, no afiliadas ni asociadas con Silca S.p.A. o el Grupo dormakaba. Dichas marcas o denominaciones comerciales se citan aquí solamente para indicar el empleo de destino de los productos Silca. / Este catálogo queda reservado exclusivamente a los duplicadores profesionales, que utilizan los productos Silca. Las ilustraciones y los datos técnicos de los productos contenidos en el documento se han de considerar indicativos. Silca se reserva el derecho, quedando invariables las características principales de los productos, de modificar todo lo que considere necesario y oportuno para mejorar la calidad de sus artículos. Todos los dibujos y fotografías pertenecen a Silca; según determina la Ley, se prohíbe toda reproducción, total o parcial, sin autorización por escrito de Silca S.p.A. Para cualquier litigio el tribunal competente es el de Treviso, la ley vigente es la italiana.

NOTE LEGALI

In ottemperanza alla normativa vigente in materia di proprietà industriale, si ricorda che - fatta eccezione per "Silca", "dormakaba", "Kaba", "Ilco" e "Advanced Diagnostics" - i marchi o i nomi commerciali citati nel nostro documento sono di esclusiva proprietà di terzi, non affiliati né collegati a Silca S.p.A. o al Gruppo dormakaba. Silca S.p.A. e il Gruppo dormakaba non possiedono alcun diritto di proprietà intellettuale né agli stessi è stata concessa alcuna licenza in relazione a detti marchi o denominazioni commerciali, i quali sono qui citati solo per indicare la destinazione d'uso dei prodotti Silca. / Questo catalogo è riservato esclusivamente ai duplicatori professionisti che utilizzano i prodotti Silca. Le illustrazioni e i dati tecnici dei prodotti contenuti nel documento debbono considerarsi indicativi. Silca si riserva il diritto, ferme restando le caratteristiche essenziali dei prodotti, di apportare tutte le modifiche che ritiene necessarie e opportune al fine di migliorare la qualità dei prodotti. Tutti i disegni e le fotografie sono di proprietà di Silca, ogni riproduzione anche parziale, senza autorizzazione scritta di Silca S.p.A. è vietata secondo termini di legge. Per qualsiasi controversia il foro competente è quello di Treviso, la legge vigente è quella italiana.

MENTIONS LÉGALES

Conformément à la législation en vigueur en matière de propriété industrielle, il est rappelé que - à l'exception de "Silca", "dormakaba", "Kaba", "Ilco" et "Advanced Diagnostics" - les marques ou noms commerciaux mentionnés dans notre document sont la propriété exclusive de tiers, non affiliés, ni liés à Silca S.p.A. ou au Groupe dormakaba. Ces marques ou dénominations commerciales ne sont mentionnées ici que pour indiquer la destination des produits Silca. / Ce catalogue est exclusivement réservé aux reproducteurs professionnels qui utilisent les produits Silca. Les illustrations et les données techniques des produits contenues dans le document doivent être considérées comme indicatives. Bien que les caractéristiques essentielles des produits soient invariables, Silca se réserve le droit d'apporter toutes les modifications qu'elle retiendra nécessaires et opportunes afin d'améliorer la qualité de ses produits. Tous les dessins et photos sont propriété Silca et toute reproduction, même partielle, sans l'autorisation écrite préalable de Silca S.p.A. est interdite conformément aux prescriptions légales. Pour tout litige, le tribunal compétent est celui de Trévise, la loi en vigueur est italienne.

NOTÍCIAS LEGAIS

No respeito das normas em vigor relativas à propriedade industrial, lembra-se que - exceptuando "Silca", "dormakaba", "Kaba", "Ilco" e "Advanced Diagnostics" - as marcas ou os nomes comerciais citados no nosso documento são propriedade exclusiva de terceiros, não associados nem ligados à Silca S.p.A. ou ao Grupo dormakaba. Essas marcas ou denominações comerciais são citadas aqui somente para indicar o uso pretendido dos produtos Silca. / Este catálogo é reservado exclusivamente aos profissionais da duplicação que utilizam os produtos Silca. As figuras e as características técnicas dos produtos contidas no documento são facultadas a título indicativo. Mesmo que as características essenciais dos produtos sejam invariáveis, à Silca reserva-se o direito de modificar ser necessário e oportuno os produtos, afim de melhorar a sua qualidade. Todos os desenhos e fotos são propriedade da Silca, e é proibida a sua reprodução mesmo parcial sem a autorização escrita da Silca S.p.A. conforme as prescrições legais. Para qualquer litígio o tribunal competente é o de Treviso, a lei vigente é a italiana.