

LOCKS FOR FIRE
RESISTANT DOORS .40

E N G L I S H



Valid from January 2024

ISEO[®]
ULTIMATE ACCESS TECHNOLOGIES



**Locks for
fire resistant
doors**



Electronic locks for fire-resistant door	6-5	DINFIR3 Locks for fire-resistant doors and panic exit doors, series 2D*	6-15
Electric locks for fire resistant doors	6-7	IDEA Base Infilare	6-36
Locks for fire resistant doors	6-8	Palmo	6-37
Electronic locks for fire-resistant panic exit doors	6-9	Push-Infilare	6-39
Panic exit electric mortice locks	6-10	Push-Palmo	6-40
Panic exit mortice locks	6-11	Pad-Infilare	6-42
Panic exit counterlocks	6-13	Handles	6-43

Certifications



CE marking

214* and 216*

Reg. EU 305/2011 (CPR) and harmonised standard EN12209

214E, 214F, 216E, 216F

Reg. EU 305/2011 (CPR) and harmonised standard EN14846

Dir. EU 2014/30 (EMC), Dir. EU 2014/65 (RoHS)

214* and 212*

Reg. EU 305/2011 (CPR) and harmonised standard

EN1125 in combination with ISEO bars

EN1125 in combination with PAD and ISEO handles



Marcatura UKCA

214* and 216*

Reg. UK 2019/465 (CPR) and harmonised standard EN12209

214E

Dir. UK 2016/1091 (EMC), Dir. UK 2013/3032 (RoHS)

214* and 212*

Reg. UK 2019 No 465 (CPR) and harmonised standard

EN1125 in combination with ISEO bars

EN1125 in combination with PAD and ISEO handles

216E* and 216F series electronic locks for fire-resistant doors and 214E* and 214F* series electronic locks for fire-resistant panic exit doors



Description

Electronic locks contain an internal electronic circuit board controlling an actuator solenoid to allow the fire-resistant door to be included in an access control system. The lock fits directly into the recess of an existing and already certified fire-resistant door without requiring additional work to the door itself.

Main features

- Power feed controlled by preset 30 sec. timer
- Fail Secure and Fail Safe versions.
- Hold-open function.
- 12 -24 V AC/DC power supply, max. current absorption 350 mA.
- Backset 72 mm, case size 65 mm, 9 mm square spindle, 24x3 mm round-cornered faceplate, right and left handed locks.
- Microfit 3.0 Dual Row 4-pole female connector for power.
- Microfit 3.0 Dual Row 3-pole male connector for connection to external handle LED, where required.
- Pre-configured for connection to remote LED (not included) with 12V-24V AC/DC power (+/- 10%) and max. current absorption 10 mA, for remote notification of locked/unlocked status.

Operation of Fail Secure locks

Normally, when the door is closed, the dummy throw of the lock is engaged, the lock is not powered and the handle is disengaged from the lock. When the lock is powered by pressing a button, the timer function delivers power continuously to the lock for the preset period and keeps the handle engaged with the lock for approximately 30 seconds, after which the lock resets. If the lock is powered via electric contacts, the lock resets as soon as the door is opened. If the lock is powered directly by an interrupted cable routed through a cable grommet, the lock resets once the 30 second timer ends. Powering the lock continuously (from an on-off switch) activates the hold-open function without overheating the coil.

Operation of Fail Safe locks

Normally, when the door is closed, the dummy throw of the lock is engaged, the lock is continuously powered, the handle is disengaged from the lock and the operation of the solenoid is reversed. When power is interrupted by pressing a button, the handle is engaged with the lock for approximately 30 seconds, after which the lock resets, and the timer function delivers power continuously to the lock for the preset period without overheating the coil. If the lock is powered via electric contacts, the lock resets as soon as the door is opened. If the lock is powered directly by an interrupted cable routed through a cable grommet, the lock resets once the 30 second timer ends. Continuously keeping the lock unpowered (from an on-off switch) activates the hold-open function.

Mechanical operation

The key always unlocks the lock.
Disengaging the dummy throw with the key bypasses the solenoid and engages the handle mechanically with the lock.
Panic exit and emergency exit locks can always be opened mechanically from the inner push bar/handle.



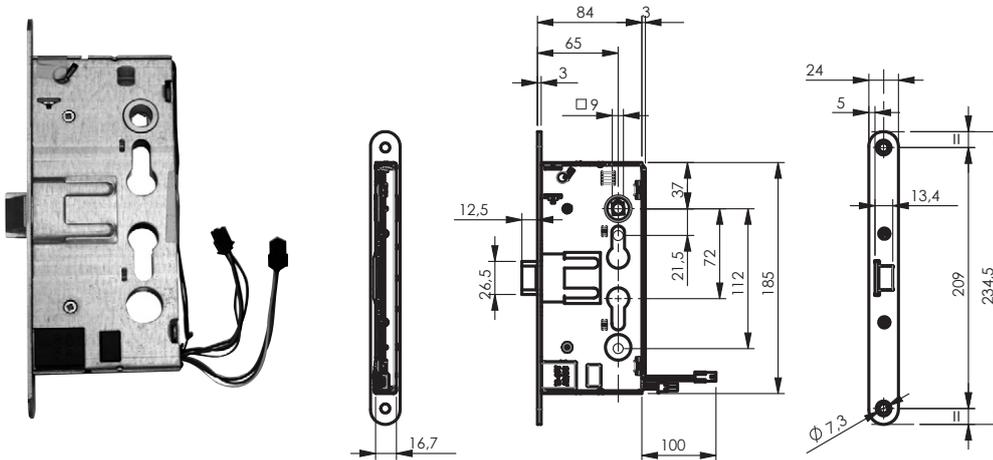
Code

Single
package

Multiple
package

Min. ord.

Fail secure/fail safe electronic lock for fire-resistant doors



FAIL SECURE/FAIL SAFE ELECTRONIC LOCK FOR FIRE-RESISTANT DOORS (EXTERNAL HANDLE),

1 lateral latch point, latchbolt only.

12 -24 V AC/DC power supply, max. current absorption 350 mA.

30 sec time function enabling use of handle set. Hold-open function.

Pre-configured for connection to remote LED (not included) for remote notification of handle set enabled/disabled status.

Microfit 3.0 Dual Row 4-pole female connector for power.

Microfit 3.0 Dual Row 3-pole male connector for connection to external handle LED, where required.

Internal – external: latchbolt controlled by key or handle, when mechanically enabled or when electrically powered.

24x3 mm round-cornered faceplate in zinc plated steel. 9 mm one-piece square spindle. Backset 72 mm. Case size 65 mm.

Single pack.

Accessories to be ordered separately:

Power cable with Microfit 3.0 Dual Row 4-pole connector, art. 0000A00039 7 m, art. 0000A00095 3 m.

0324* and 0325* series fire resistant handles.

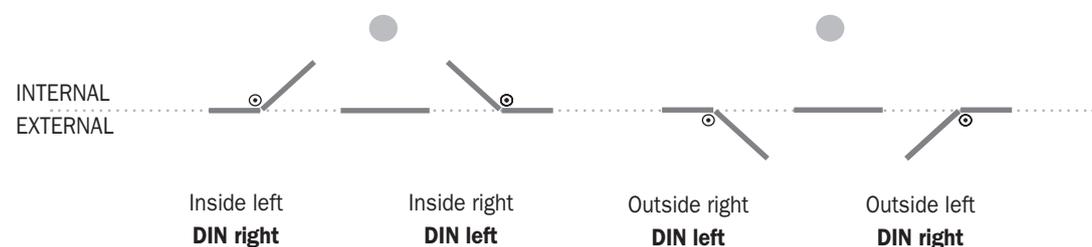
FAIL SECURE

DIN Right-handed	216E30654.5D	1	10	10
DIN Left-handed	216E30654.5S	1	10	10

FAIL SAFE lock continuously powered

DIN Right-handed	216F30654.5D	1	10	10
DIN Left-handed	216F30654.5S	1	10	10

Doors opening direction.





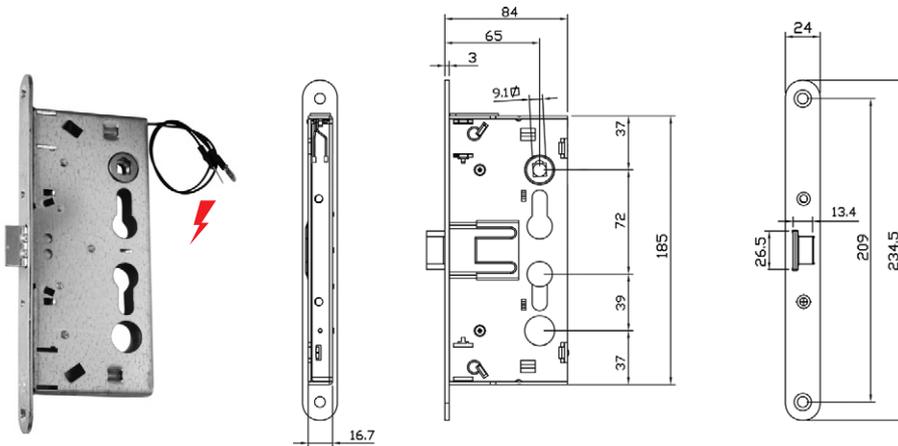
Code

Single
package

Multiple
package

Min. ord.

Electric locks for fire resistant doors



LOCK FOR FIRE RESISTANT DOORS 12V AC/DC. Absorption 860 mA.

(EXTERNAL HANDLE). 1 lateral point, latchbolt only.

Handle follower enabled during electric pulse only.

Function of **“hold open”** (the maintenance voltage must not be higher than 7V ac).

Internal - external: the cylinder enables and disables the panic handle.

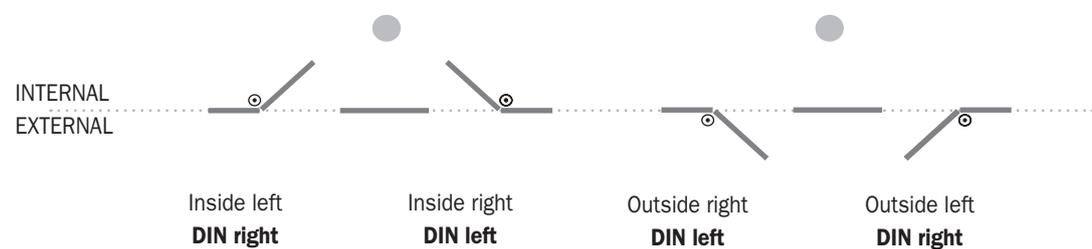
Front plate rounded, mm 24x3, zinc-plated.

One-piece handle follower mm 9. Distance mm 72. Backset mm 65.

Single packaging

DIN Right-handed	216930654.5D	1	10	10
DIN Left-handed	216930654.5S	1	10	10

Doors opening direction.





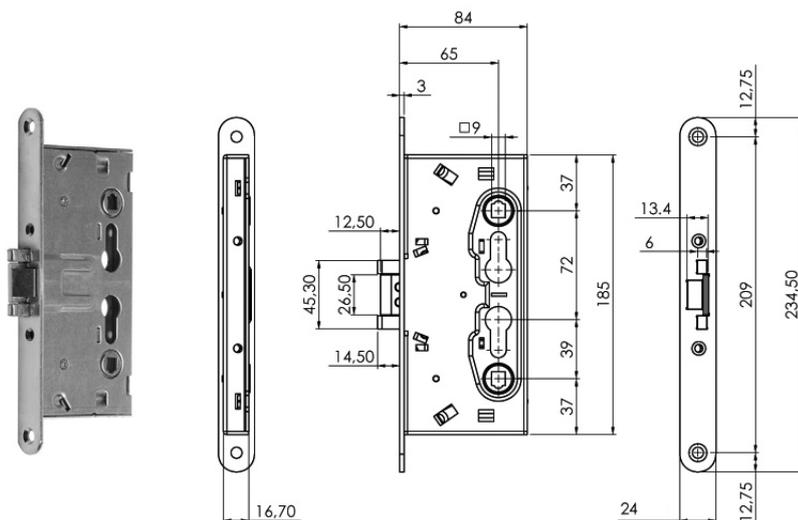
Code

Single
package

Multiple
package

Min. ord.

Locks for fire resistant doors



LOCK FOR LEFT- AND RIGHT-HANDED FIRE RESISTANT DOORS.

1 lateral point, deadbolt and latchbolt.

External and internal: the key operates both the deadbolt and latchbolt, the handle operates the latchbolt only.

Front plate rounded, mm 24x3, zinc-plated.

One piece handle one-piece follower mm 9. Distance mm 72. Backset mm 65.

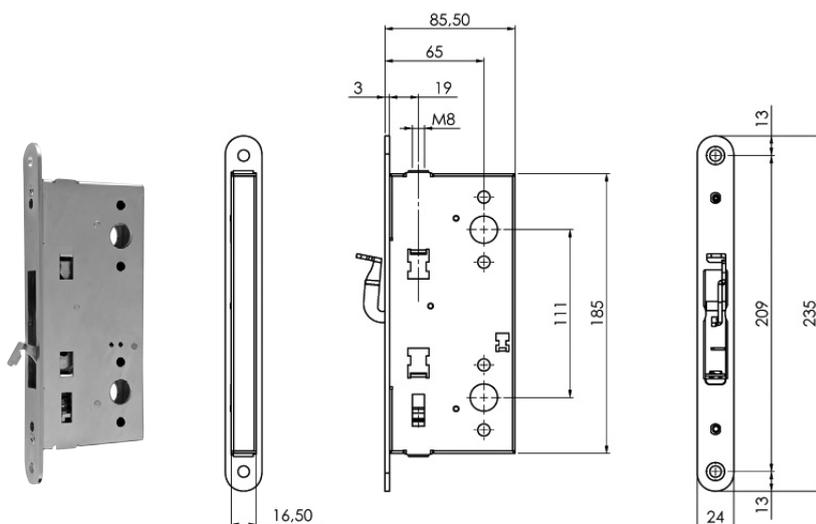
Single packaging

216120654

1

10

10



COUNTERLOCK FOR LEFT- AND RIGHT-HANDED FIRE RESISTANT DOORS.

FLUSH BOLT function for secondary leaf. **Operation: rods operated by lever on front plate.**

Front plate rounded, mm 24x3, zinc-plated. The threaded rods are connected to the lock by screwing them inside the self fixing connection nut. Rods projection mm 17.

Backset mm 65.

Usable with locks 216***, 214***.

Single packaging

212000654

1

10

10



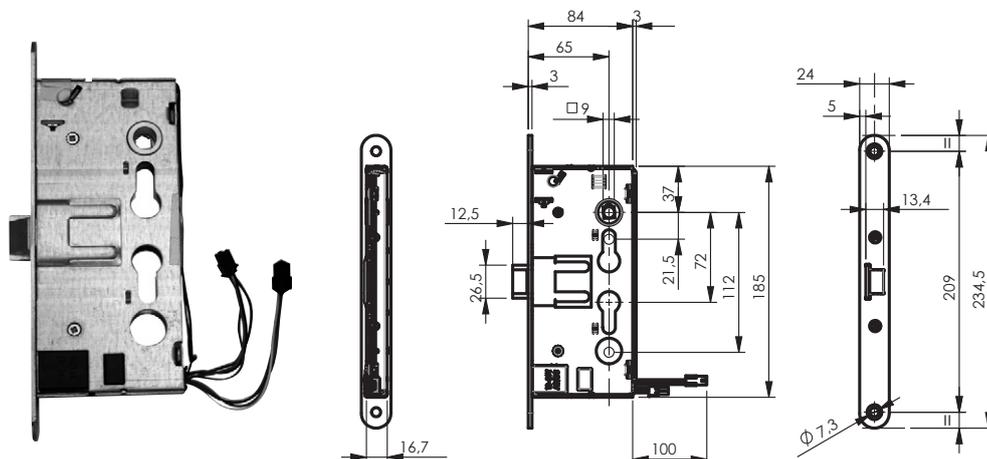
Code

Single
package

Multiple
package

Min. ord.

Fail secure / fail safe electronic locks for fire-resistant panic exit doors



FAIL SECURE / FAIL SAFE ELECTRONIC LOCKS FOR FIRE-RESISTANT PANIC EXIT DOORS (EXTERNAL HANDLE)

1 lateral latch point, latchbolt only. 12 -24 V AC/DC power supply, max. current absorption 350 mA. 30 sec time function enabling use of external handle set. Hold-open function. Pre-configured for connection to remote LED (not included) for remote notification of handle set enabled/disabled status. Microfit 3.0 Dual Row 4-pole female connector for power.

Microfit 3.0 Dual Row 3-pole male connector for connection to external handle LED, where required. Inside: latchbolt controlled by panic exit bar Outside: latchbolt controlled by key or handle, when mechanically enabled or when electrically powered (Secure) or unpowered (Safe). 24x3 mm round-cornered faceplate in zinc plated steel. 9 mm split square spindle. Backset 72 mm. Case size 65 mm. Single pack.

Accessories to be ordered separately:

Power cable with Microfit 3.0 Dual Row 4-pole male connector, art. 0000A00039 7 m, art. 0000A00095 3 m.

0324* and 0325* series fire resistant handles..

9490000*0379, 9449***839 series panic exit bars.

Locking mechanism 94G0000**379.

FAIL SECURE

DIN Right	214E10654..D	1	10	10
DIN Left	214E10654..S	1	10	10

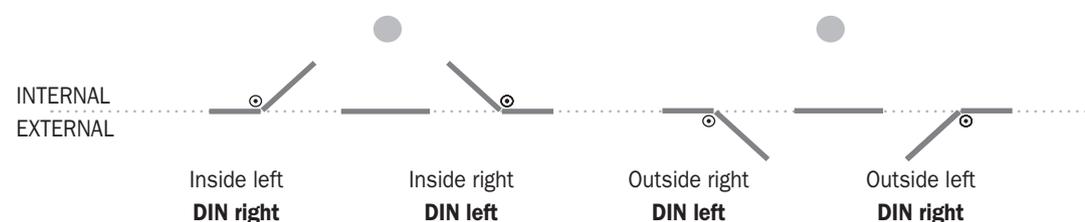
FAIL SECURE reversible latch for inward-opening emergency doors

DIN Right	214E10654.CD	1	10	10
DIN Left	214E10654.CS	1	10	10

FAIL SAFE lock continuously powered

DIN Right	214F10654..D	1	10	10
DIN Left	214F10654..S	1	10	10

Doors opening direction.





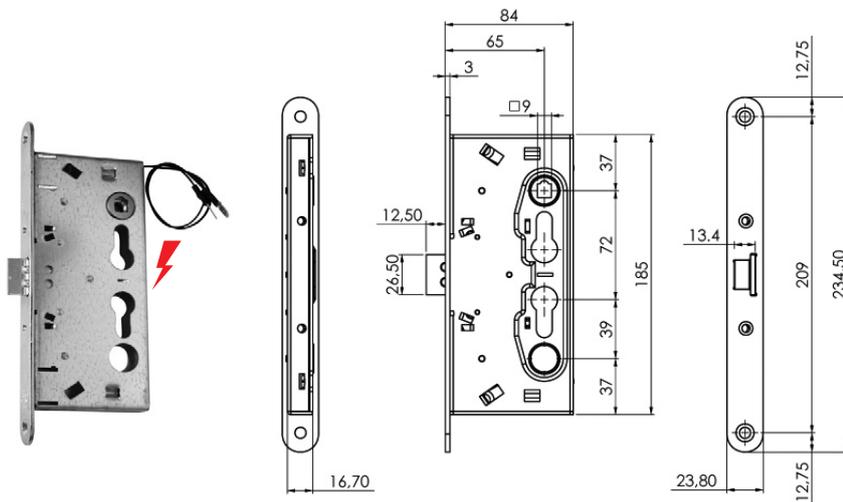
Code

Single
package

Multiple
package

Min. ord.

Panic exit electric mortise locks



ELECTRIC LOCK FOR FIRE RESISTANT PANIC EXIT DOORS 12V ac/dc. Electrical absorption 860 mA.

(EXTERNAL HANDLE). 1 lateral point, latchbolt only. Opening with external handle enabled during electric pulse only.

For the “hold-open device” feature, the hold voltage must not exceed 7V ac.

Internal: latchbolt operated by the panic exit device.

External: latchbolt operated by the handle only if enabled by the key or during electric pulse.

Front plate rounded, mm 24x3, zinc-plated.

94C0000*379, 9490000*0379, 94F0****379, 9449****5839 series panic exit bars.

Locking mechanism 94G0000**379.

Single packaging

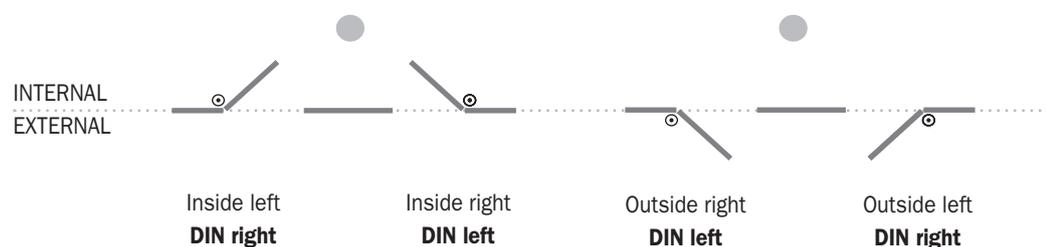
DIN Right-handed	214910654..D	1	10	10
DIN Left-handed	214910654..S	1	10	10

Reversed latchbolt.

Pull emergency door.

DIN Right-handed	214910654.CD	1	10	10
DIN Left-handed	214910654.CS	1	10	10

Doors opening direction.





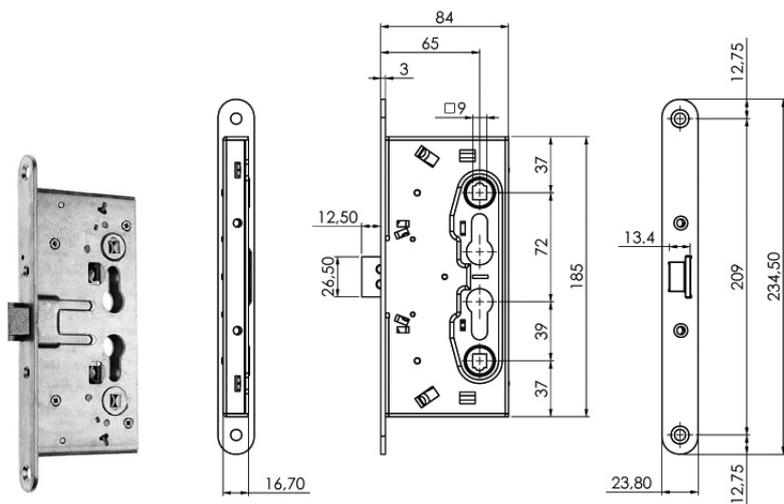
Code

Single
package

Multiple
package

Min. ord.

Panic exit mortise locks



LOCK FOR LEFT- AND RIGHT- HANDED FIRE RESISTANT PANIC EXIT DOORS (EXTERNAL HANDLE). 1 lateral point, latchbolt only.

Internal: latchbolt operated by the panic exit device, by the handle or by the key.

External: latchbolt operated by the key and by the handle only if enabled by the key.

Front plate rounded, mm 24x3, zinc-plated. Panic exit two-piece follower mm 9 (Panic function B). Distance mm 72. Backset mm 65.

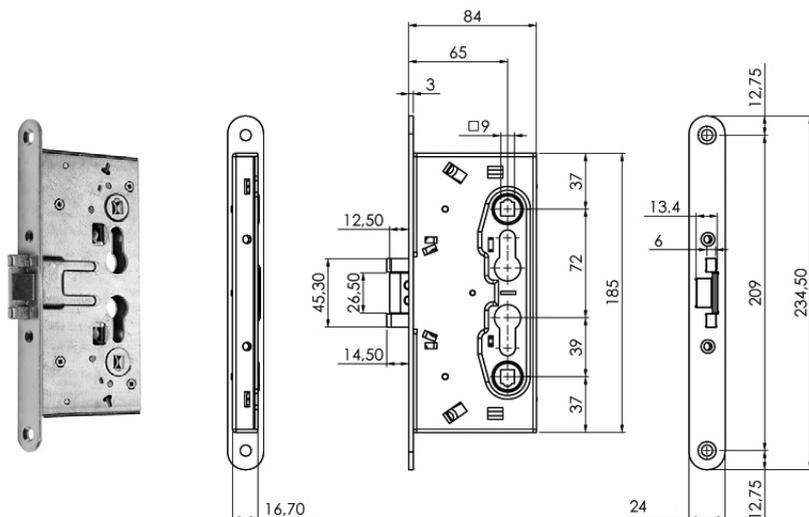
94C0000*379, 9490000*0379, 94F0*****379, 9449****5839 series panic exit bars.

Locking mechanism 94G0000**379.

Single packaging **214110654** 1 10 10

Reversed latchbolt. Pull emergency door.

Single packaging **214110654.C** 1 10 10



LOCK FOR LEFT- AND RIGHT-HANDED FIRE RESISTANT PANIC EXIT DOORS (EXTERNAL FIXED KNOB). 1 lateral point, deadbolt and latchbolt.

Internal: deadbolt and latchbolt operated by the panic exit device, by the handle or by the key.

External: the key operates both the deadbolt and the latchbolt.

Front plate rounded, mm 24x3, zinc-plated. Panic exit one-piece follower mm 9 (Panic function E). Distance mm 72. Backset mm 65.

94C0000*379, 9490000*0379, 94F0*****379, 9449****5839 series panic exit bars..

Locking mechanism 94G0000**379.

Single packaging **214140654** 1 10 10



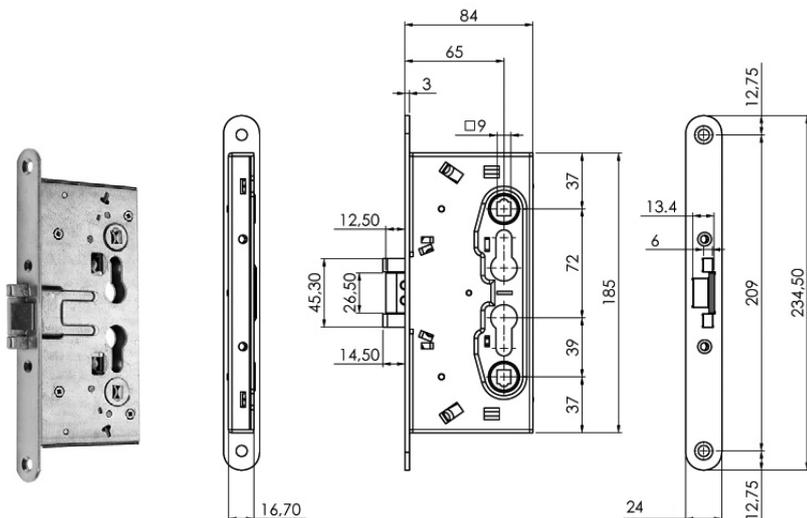
Code

Single
package

Multiple
package

Min. ord.

Panic exit mortise locks



LOCK FOR LEFT- AND RIGHT-HANDED FIRE RESISTANT PANIC EXIT DOORS

(EXTERNAL HANDLE). 1 lateral point, deadbolt and latchbolt.

Internal: deadbolt and latchbolt operated by the panic exit device, by the handle or by the key.

External: the key operates both the deadbolt and the latchbolt, handle operates latchbolt only.

Front plate rounded, mm 24x3, zinc-plated.

Panic exit two-piece follower mm 9 (Panic function D). Distance mm 72. Backset mm 65

94C0000*379, 9490000*0379, 94F0****379, 9449****5839 series panic exit bars.

Locking mechanism 94G0000**379.

Single packaging

214120654

1

10

10



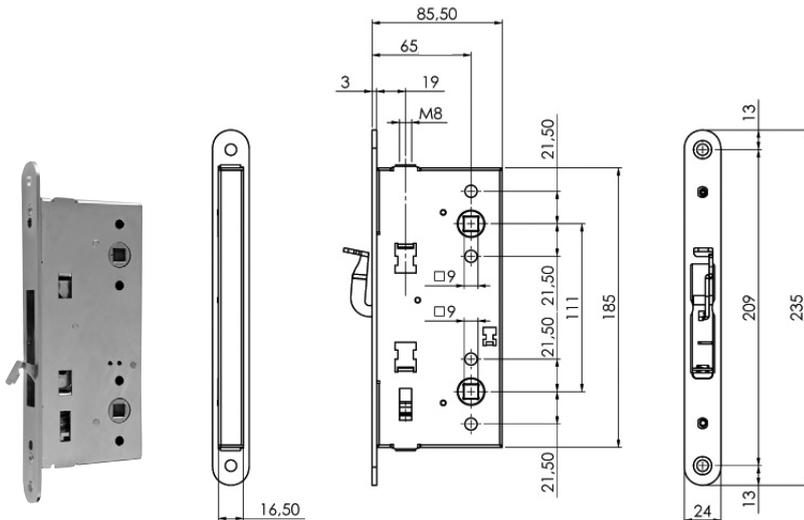
Code

Single
package

Multiple
package

Min. ord.

Panic exit counterlocks



COUNTERLOCK FOR FIRE RESISTANT PANIC EXIT DOORS.

NO HANDING, DOUBLE OPERATION (OVERTURNED)

FLUSH BOLT and **PANIC EXIT** function for secondary leaf. **Operation: the panic exit device operates the rods and releases the latchbolt of the lock in the main leaf, the lever on the front plate operates the rods.** Front plate rounded, mm 24x3, zinc-plated. The threaded rods are connected to the lock by screwing them inside the self fixing connection nut.

Rods projection mm 17. Backset 65 mm.

94C0000*379, 9490000*0379, 94F0****379, 9449****5839 series panic exit bars.

Locking mechanism 94G0000**379.

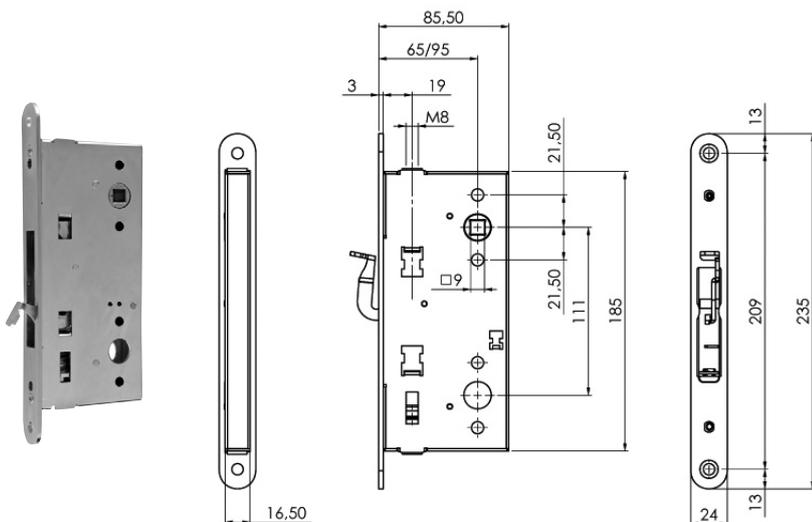
Single packaging

212600654

1

10

10



COUNTERLOCK FOR FIRE RESISTANT PANIC EXIT DOORS.

NO HANDING, SINGLE OPERATION (NO OVERTURNED)

FLUSH BOLT and **PANIC EXIT** function for secondary leaf. **Operation: the panic exit device operates the rods and releases the latchbolt of the lock in the main leaf, the lever on the front plate operates the rods.** Front plate rounded, mm 24x3, zinc-plated. The threaded rods are connected to the lock by screwing them inside the self fixing connection nut.

94C0000*379, 9490000*0379, 94F0****379, 9449****5839 series panic exit bars.

Locking mechanism 94G0000**379.

Single packaging

212700654

1

10

10

DINFIR3 Locks for 2D series* panic exits and fire-resistant doors



Description

DINFIR3 Locks are mainly produced for fire-resistant doors and escape routes, in compliance with DIN 18251- EN 12209 - panic device KIT EN1125 - EN179

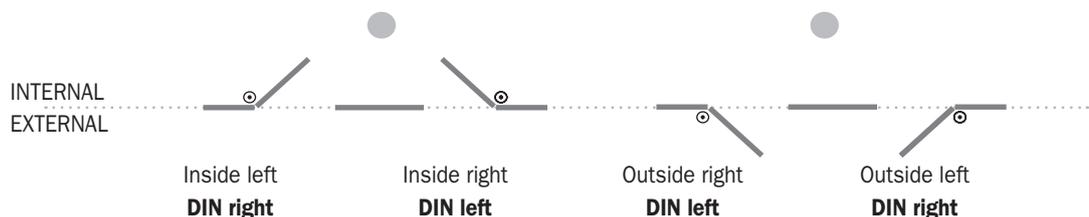
The range consists of the following models:

Standard and panic device versions, single and multi-point lateral locking versions, double door locking/opening systems, and double door panic locking/opening systems.

Main features:

- Lock with latch and deadbolt, 72 mm center distance.
- Wide range of Backsets (depending on the model).
- Zinc plate with round edge (square edge also available), 24x3 mm (20x3 mm also available), zinc plated steel (stainless steel also available).
- Right or left hand opening in accordance with DIN107.
- Zinc plated steel lock case and keyhole cover, nickel-plated sintered steel latch, nickel-plated zamak deadbolt, lock case closed on all sides.
- The lock casing and cover overlap in the 3 points of union with the faceplate, making the lock extremely solid, especially when pushed from the side (break-in attempt).
- The zinc plate can be unscrewed for replacement or a change of finish.
- Modularity of the range: if the zinc plate is changed (unscrewed) to the opposite hand and the latch is reversed, the lock hand changes too.
- Compatible with Euro profile cylinder, with DIN cam. Lock complying with DIN18251.

Door opening direction

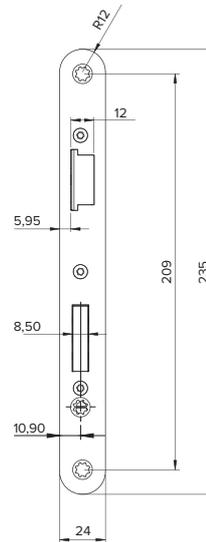
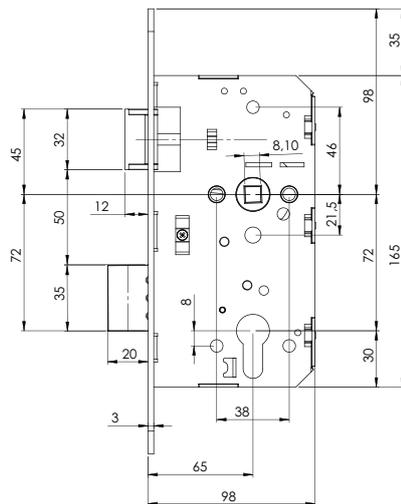
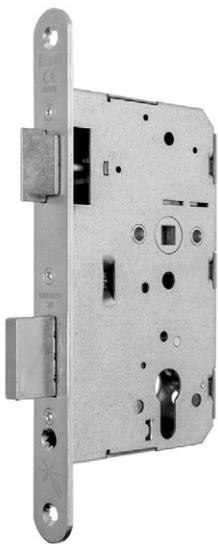


DINFIR3 Locks for 2D series* panic exits and fire-resistant doors

Function		Use	Commands		Square	Functioning
E	Entrance from the outside with key	Outside doors only for authorized staff with a key	Inside	Open with panic bar and/or emergency handle.	Handle follower	Entry from the outside is allowed only with a key that operates the latch and the deadbolt.
			Outside	Key. Fixed knob available.		
B	Enabled or disabled external handle	Outside doors that open to the outside and places where it is necessary to program free access	Inside	Open with panic bar and/or emergency handle.	Split square spindle	Normally the external handle is enabled. Once operated the first throw with key (dummy throw), the external handle is disabled. Once operated the second throw with key (the deadbolts come out), the door is locked. After the panic opening from the inside, the external handle remains disabled. After turning the key in the direction of opening, the external handle is enabled, and extracting the key, the handle is disabled in the normal function.
			Outside	Independent handle. Key		
C	Automatically disabled external handle	Doors that must be opened from the outside only by authorized staff with a key and program free access for a supervisor	Inside	Open with panic bar and/or emergency handle. Key.	Split square spindle	Normally the external handle is enabled. Once operated the throws with key, the external handle is disabled, and the door is locked. After the panic opening from the inside, the external handle remains disabled. After turning the key in the direction of opening, without extracting it, the external handle is enabled, and extracting the key, the external handle is disabled in the normal function.
			Outside	Independent handle. Key.		
D	Always enabled external handle	Doors that divide passageways (e.g. corridors)	Inside	Open with panic bar and/or emergency handle. Key	Split square spindle	Normally the external handle is enabled. Once operated the throw with key (the deadbolts come out), the external handle is disabled, and the door is locked. After the panic opening from the inside, the handle remains enabled in the normal function (the enabled/disabled handle is bound to the outside/inside deadbolt).
			Outside	Independent handle. Key		



DINFIR3 locks with double throws



Lock with double throws

Lock complies with DIN18251 for fire-resistant doors.

Lock with latch and deadbolt.

Indoor/outdoor operation:

The key operates the deadbolt (double throws) and retracts the latch, the handle retracts the latch.

72 mm centre distance.

9 mm sintered steel square spindle set with 23° rotation. 20 mm deadbolt, with double throws (10+10 mm).

Zinc plated front plate (stainless steel option) with round edges (square edges option) 24x3 mm (20x3 mm option).

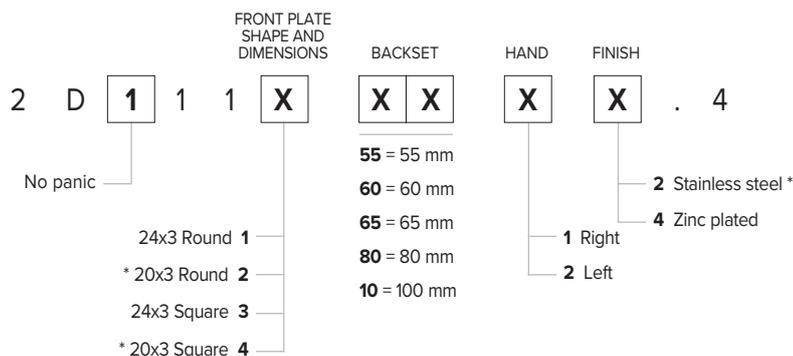
Compatible with Euro profile cylinder, with DIN cam to be ordered separately.

Matching accessories to be ordered separately:

Flush Bolt counter lock of range 2D6*, Zinc plate with round edge (square edge option), 24x3 mm (20x3 mm option), zinc plated steel (stainless steel option) 038650*

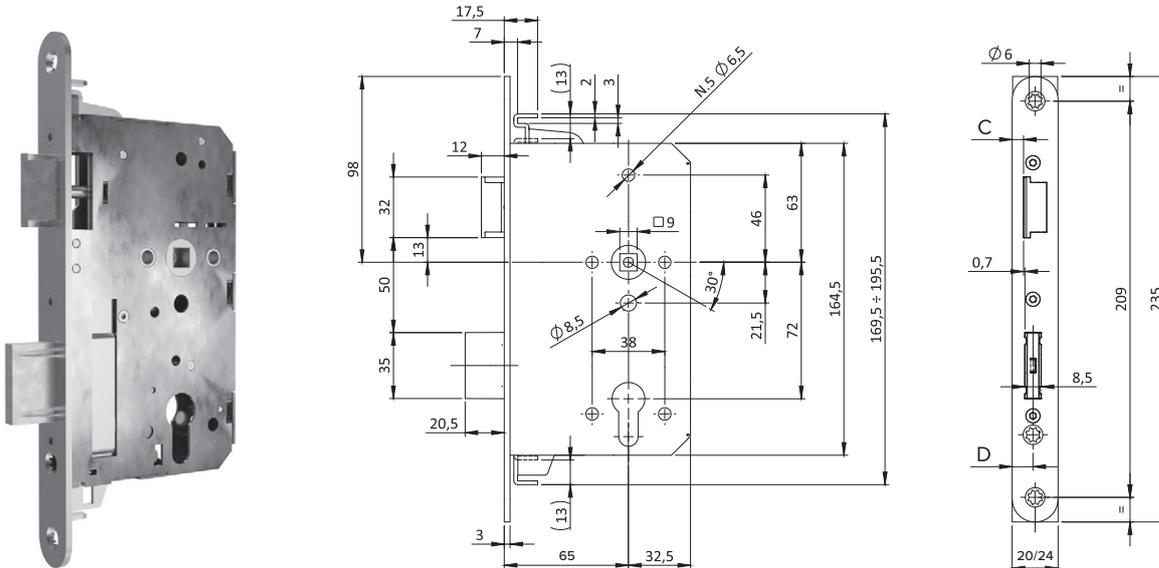
Handles for fire-resistant doors: series 0324* and 0325*.

For any options please contact ISEO.





DINFIR3 Multipoint lock with deviators



Triple lock for fire-resistant doors with deviators.

Operation:

The central lock latch and the two deviators latches are directly linked.

Latches of top and bottom deviators are retracted when the latch of central lock is retracted: vice versa, they are released when the latch of the central lock is released.

The key operates the single throw bolt. The key and the handle always retract the latch of the central lock and of the two deviators.

Centre distance 72 mm.

Backset 65 mm.

Rods projection 13 mm. hook rod coupling.

Sintered steel square spindle 9 mm with 30° rotation.

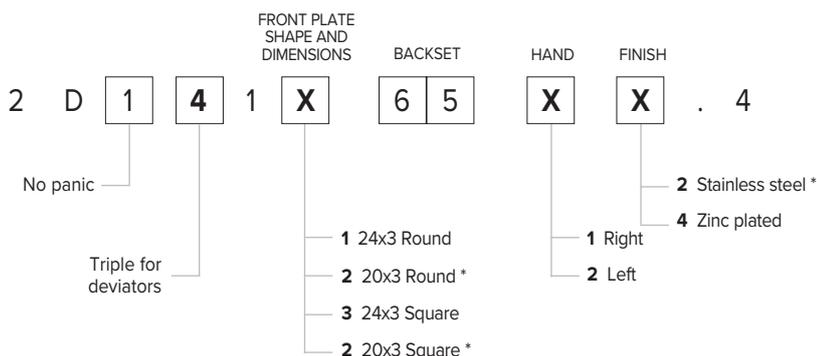
20 mm bolt, single throw.

Front plate with rounded edge (square edge option), zinc plated front plate 24x3 mm (20x3 mm option) (stainless steel option)

Compatible with Euro profile cylinder, with DIN cam to be ordered separately.

Matching accessories to be ordered separately:

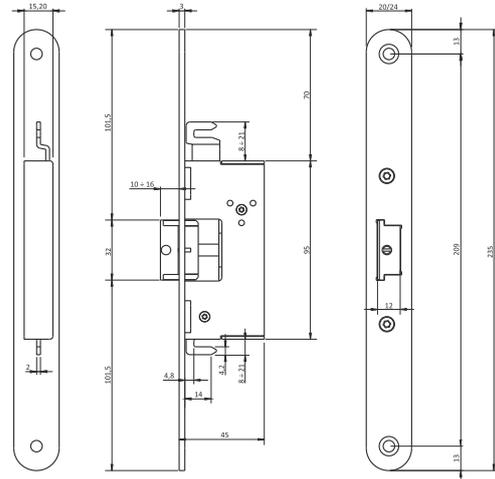
Pair of deviators of the series 2D014*, flat strike plates 24x3 mm (20x3 mm option) with rounded edges (flat edges option) in zinc plated steel (stainless steel option) 038650*



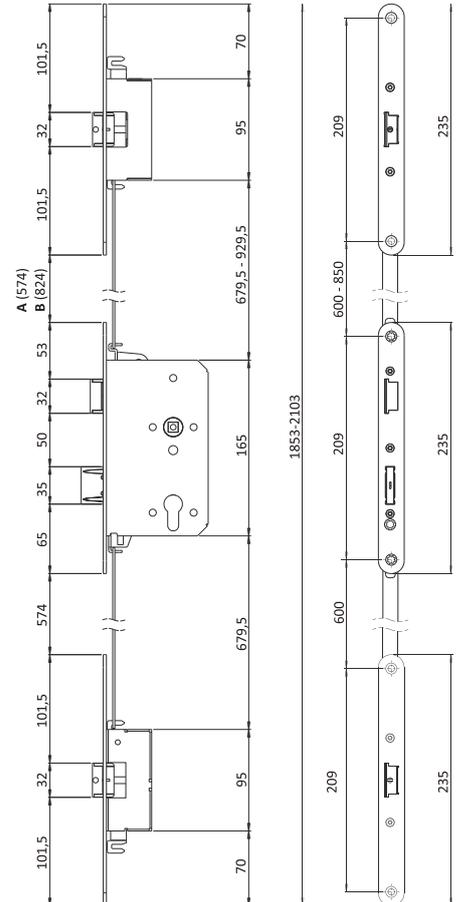
* Versions on-demand



DINFIR3 Deviators for triple lock for fire rated and panic doors



A = Pair of connecting rods of 668 mm
B = Pair of connecting rods of 668 + 918 mm



Pair of deviators with latch for DIN FIR3 Multipoint locks for fire and exit route doors.

Operation:

Latches of top and bottom deviators are retracted when the latch of central lock is retracted: vice versa, they are released when the latch of the central lock is released.

Pair of no-handed deviators activated by rods projection 13 mm with hook rod coupling.

Rods with different lengths (668/668 mm code 033117 and 918/668 mm code 033118).

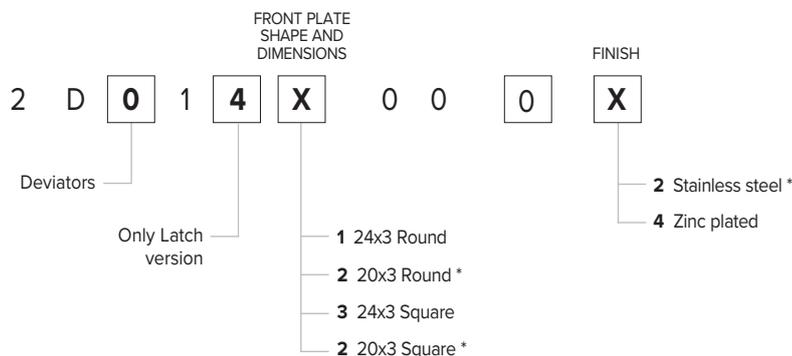
Zinc plated front plate (stainless steel option) with round edges (square edges option) 24x3 mm (20x3 mm option).

Removable front plate for change of finish or maintenance.

Adjustable latch deviators projection from 10 to 16 mm.

Matching accessories to be ordered separately:

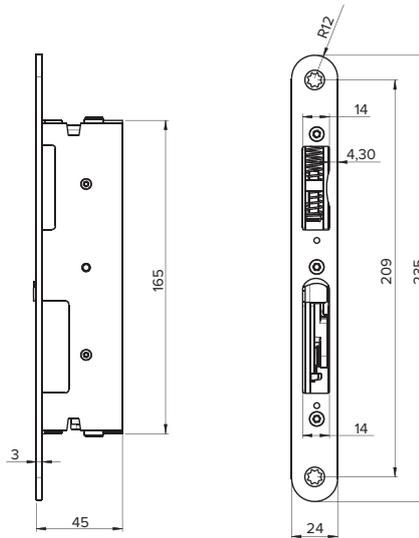
Zinc plated strike plate (stainless steel option) with round edges (square edges option) 24x3 mm (20x3 mm option) code 0331**.



* Versions on-demand



DINFIR3 Flush Bolt



Flush bolt counter lock, with manual lever, for opening/closing the secondary leaf.

Operation:

The manual lever is used to retract the rods and open the semi-fixed leaf.

The rod-locking accessory installed at the top keeps the rods retracted until the door is closed again.

As the door is closing, the bar lock releases the rods and automatically closes the Flush Bolt with the aligned leaf.

Rods with 30 mm shaft, rods projection 18 mm, M6 threaded coupling.

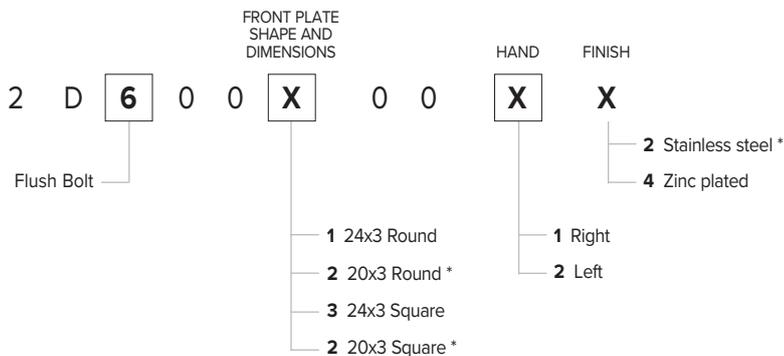
Zinc plated front plate (stainless steel option) with round edges (square edges option) 24x3 mm (20x3 mm option).

Matching accessories to be ordered separately:

Bar lock and relative spacers 032144...1, 0327*. Pair of rods with relative ferrules 032314.

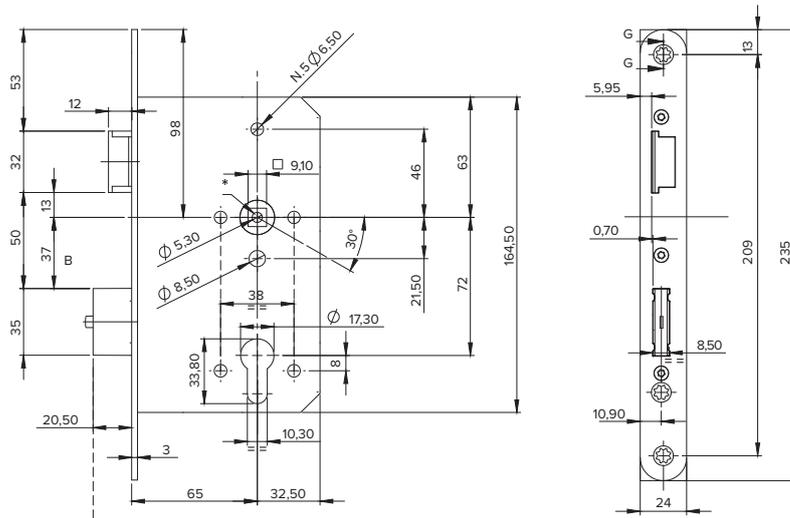
Upper or floor-level strike plates 0321*.

For any options please contact ISEO.





DINFIR3 panic lock for single and double leaf



Panic lock for 1 or 2 leaf fire-resistant doors.

Internal operation:

The key operates the deadbolt and retracts the latch. The panic bar and/or handle always retract the latch and deadbolt.

External operation:

The key operates the deadbolt and retracts the latch (function E). The key operates the deadbolt and enables the handle (functions B, C, and D option). The handle retracts the latch (functions B, C, and D option). Functions B, D, E, C (option) external side. 72 mm center distance.

9 mm sintered steel handle set with 30° rotation.

20 mm deadbolt, single throw.

Zinc plated front plate (stainless steel option) with round edges (square edges option) 24x3 mm (20x3 mm option).

Reverse latch for inward opening emergency doors.

Compatible with Euro profile cylinder, with DIN cam to be ordered separately.

Matching accessories to be ordered separately:

2D7* series counter-locks, for closing/opening the secondary leaf.

Flat 24x3 mm counter locks (20x3 mm option), zinc plated steel (stainless steel option). 038650*

Panic exit devices:

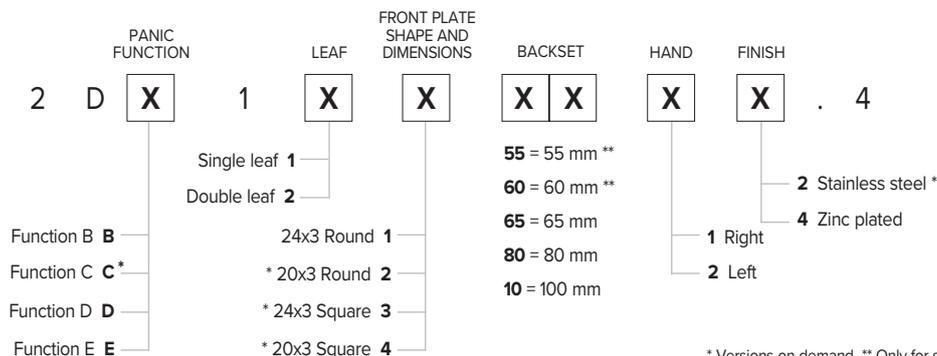
Palmo Type A (series 949*), Push Palmo Type B (series 944*), IDEA Base Mortise Type A (series 94C*),

Push Mortise Type B (series 94F*)

Emergency Devices:

Lever handles 032* series, Pad Mortise series 94G*

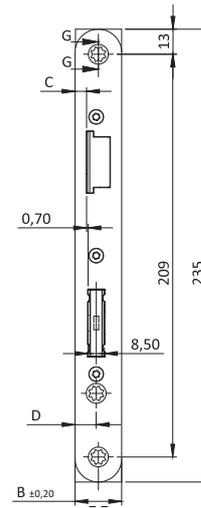
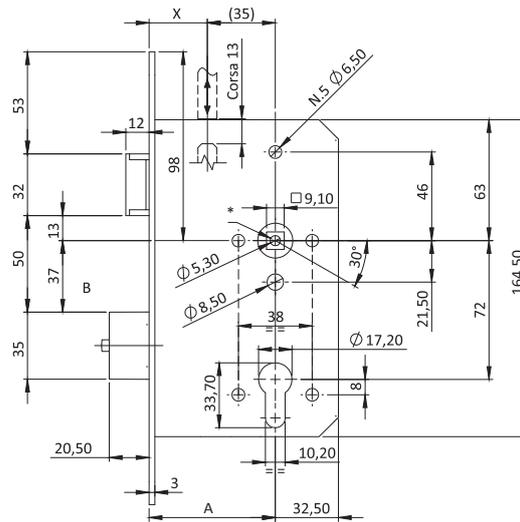
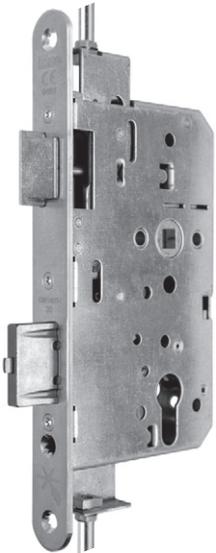
For any options please contact ISEO.



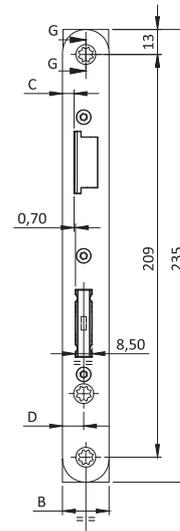
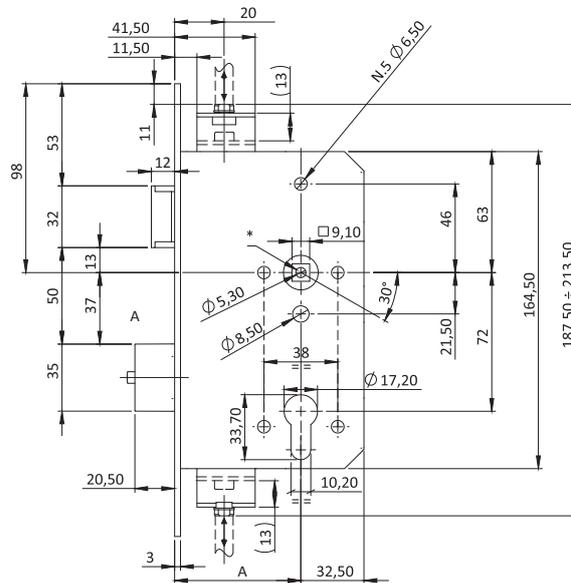
* Versions on-demand ** Only for single leaf versions



DINFIR3 Multipoint panic lock with rods for single and double leaf



2-point lock for rods



3-point lock for rods



DINFIR3 Multipoint panic lock with rods for single and double leaf

3 latch panic lock for 1 or 2 leaves fire-resistant doors.

Operating the rods:

The latch and the rods are directly linked.

The upper and lower rods are retracted when the latch is retracted and are released when the latch is released.

Internal operation:

The key operates the deadbolt. The panic bar and/or handle always retract the latch and deadbolt.

External operation:

The key operates the deadbolt and retracts the latch (function E). The key operates the deadbolt and enables the handle (functions B, C, and D). The handle retracts the latch (functions B, C, and D). Panic function C option.

Center distance 72 mm.

Rods with 19.5 mm shaft (triple) (25.5 mm option), rods projection 13 mm, M6 rod connection.

9 mm sintered steel handle set with 30° rotation.

20 mm deadbolt, single throw.

Zinc plated front plate (stainless steel option) with round edges (square edges option) 24x3 mm (20x3 mm option).

Reverse latch for inward opening emergency doors.

Compatible with Euro profile cylinder, with DIN cam to be ordered separately.

Matching accessories to be ordered separately:

2D7* series counter locks, for closing/opening the secondary leaf. Flat 24x3 mm strike plates (20x3 mm option), zinc plated steel (stainless steel option) 038650*.

Panic devices suitable for both 1 and 2 leaf configurations:

Palmo Type A (series 949*)

For 1 leaf doors only. Not suitable for 2 leaf configuration:

IDEA Base Mortise Type A (series 94C*), Push Mortise Type B (series 94F*)

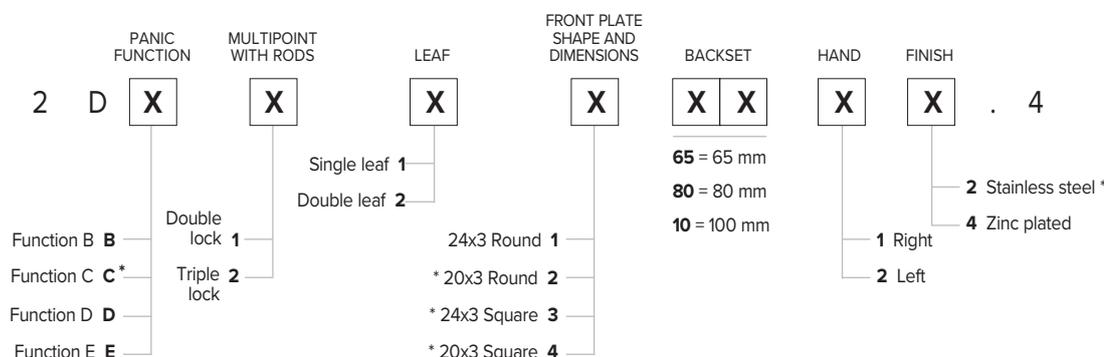
Push Palmo Type B (series 944*)

Emergency Devices:

Lever handles series 032*

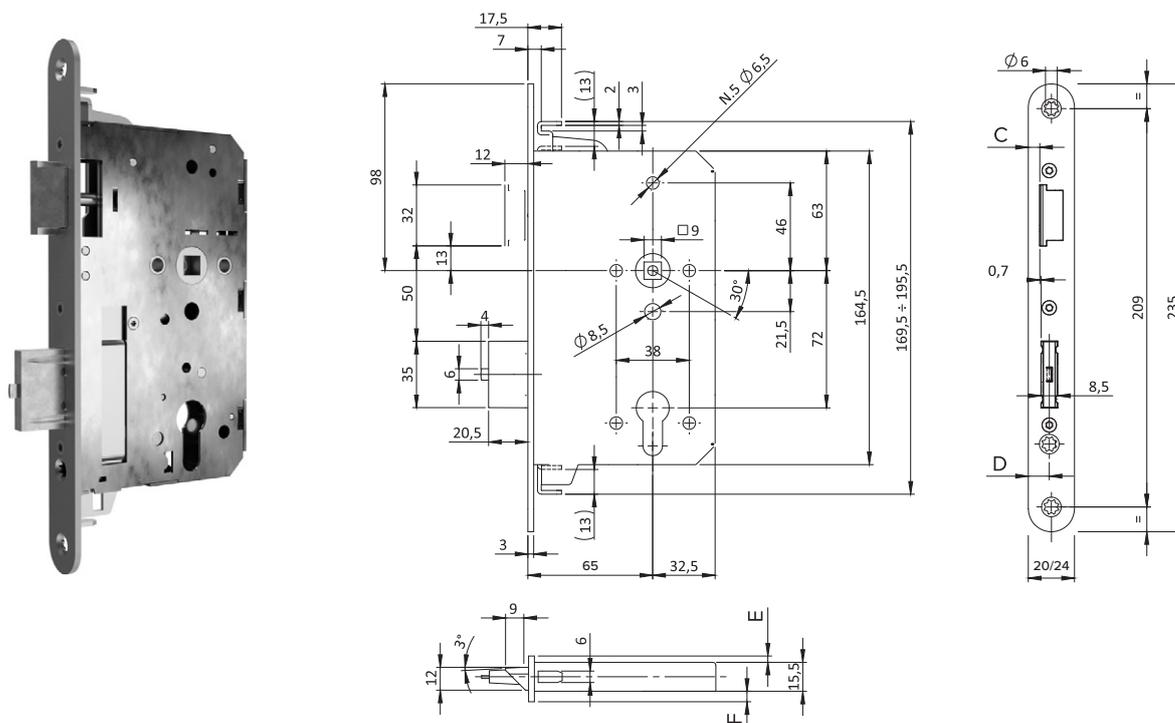
Pad Mortise series 94G*

For all options please contact ISEO.





DINFIR3 Multipoint panic lock with deviators



Triple panic lock for 1 or 2 leaf fire-rated doors.

Operating the deviators:

The latch of the central lock and the latches of the deviators are directly linked.

The latched of the top and bottom deviators are retracted when the latch of the central lock is retracted: vice versa, they are released when the latch of the central lock is released.

Internal operation:

The key operates the deadbolt. The panic bar and or the handle always retracts the latch and deadbolt.

External operation:

The key operates the deadbolt and retracts the latch (function E). The key operates the deadbolt and enables the handle (functions B, C and D). The handle retracts the latch (functions B, C and D). Panic function C option.

Centre distance 72 mm.

Backset 65 mm.

Rods projection 13 mm, hook rod coupling.

Square spindle 9 mm with 30° rotation in sintered steel.

Single throw 20 mm deadbolt.

Zinc plated front plate (stainless steel option) with round edges (square edges option) 24x3 mm (20x3 mm option).

Compatible with Euro profile cylinder, with DIN cam to be ordered separately.



DINFIR3 Multipoint panic lock with deviators

Matching accessories to be ordered separately:

Pair of deviators series 2D014* (see page DINFIR3 Deviators for triple lock for fire rated and panic doors)

Compatible with Euro profile cylinder, with DIN cam to be ordered separately.

2D7* series counter-locks, for closing/opening the secondary leaf. Flat strike plates 24x3 mm (20x3 mm option), zinc plated steel (stainless steel option). 038650*

Panic devices suitable for 1-leaf and 2-leaf doors:

Palmo Type A (series 949*), Push Mortise type B (series 94F)

For 1-leaf doors only. Not suitable for 2-leaf configuration:

IDEA Base Mortise type A (series 94C*), Push Mortise type B (series 94F)

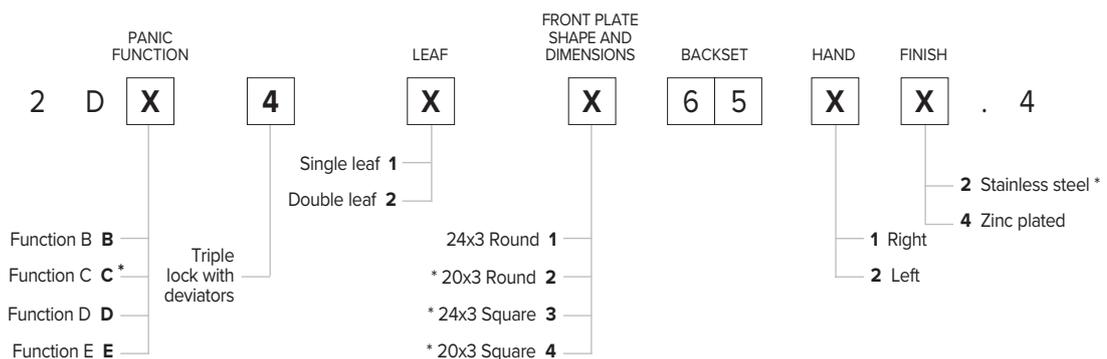
Push Palmo type B (series 944*)

Emergency devices:

Lever handles series 032*

Pad Mortise series 94 G*

For any options please contact ISEO.





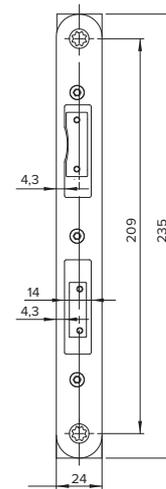
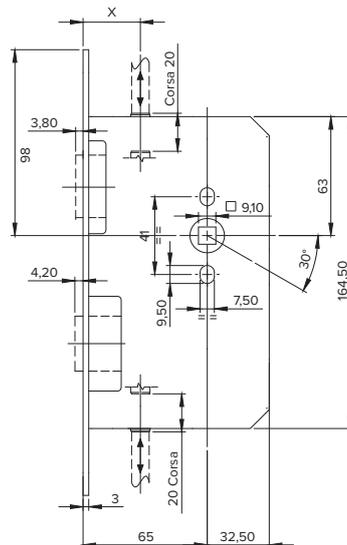
Code

Single
package

Multiple
package

Min. ord.

DINFIR3 panic counterlocks



Panic counter lock for opening/closing the secondary leaf of a 2 leaves fire-resistant door.

Operation:

The counter lock receives and contains the latch and deadbolt of the anti panic lock on the main leaf.

The panic exit bar releases the latch and deadbolt of the main door leaf's lock, and retracts the rods engaged in the bar stop at the top of the door. Closure takes place automatically: when the door leaf approaches the bar lock, the rods are released, thereby causing the counter lock to automatically close with the door leaf aligned.

9 mm sintered steel handle set with 30° rotation, M6 threaded coupling.

20 mm rods projection.

Zinc plated front plate (stainless steel option) with round edges (square edges option) 24x3 mm (20x3 mm option).

Matching accessories to be ordered separately:

Bar lock and relative spacers 032144...1, 0327*. Pair of rods with relative ferrules 032314.

Upper or floor-level strike plates 0321*.

Panic exit devices:

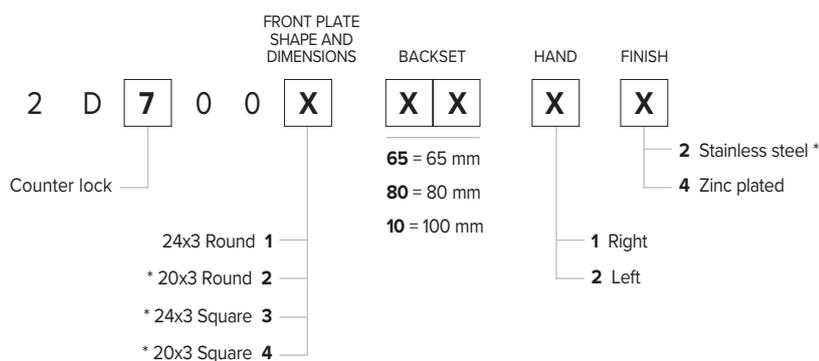
Palmo Type A (series 949*), Push Palmo Type B (series 944*), IDEA Base Mortise Type A (series 94C*),

Push Mortise Type B (series 94F*)

Emergency Devices:

Lever handles 032* series, Pad Mortise series 94G*

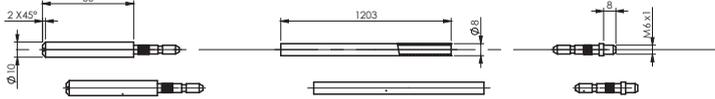
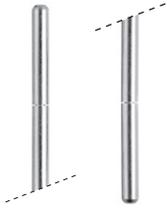
For all options please contact ISEO.



* Versions on-demand

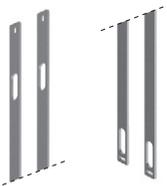
Code
Confezione
singola
Confezione
multipla
Min. ord.

Accessories



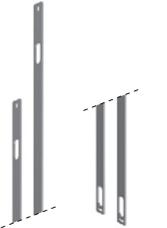
M6 rod kit, complete with tips

032314 1 10 10



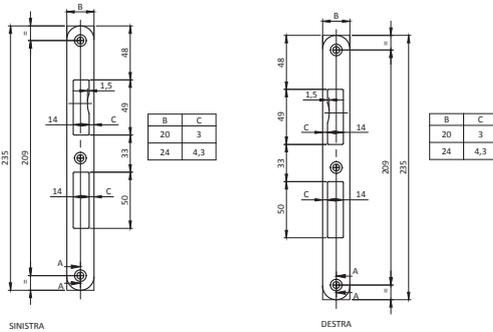
Pair of connecting rods for deviators DINFIR3 L= 668 mm

033117 1 10 10



Pair of connecting rods for deviators DINFIR3 L= 668 mm + 918 mm

033118 1 10 10

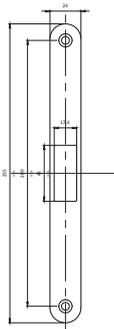


Counter plates 24x3 mm (20x3 mm also available)

ZN steel (stainless steel option) Round edge (square edge option)

RH **03865014** 1 10 10

LH **03865024** 1 10 10

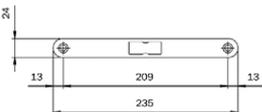
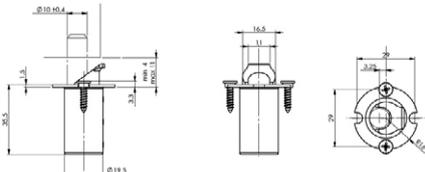
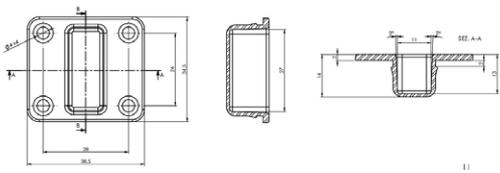
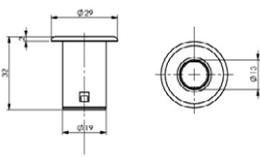


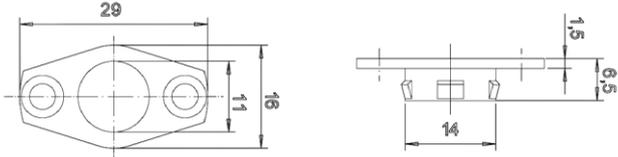
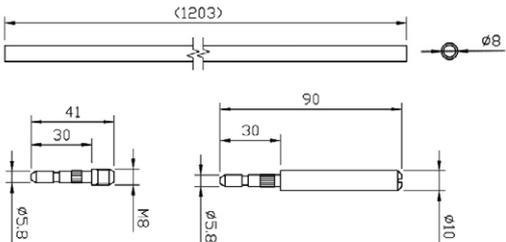
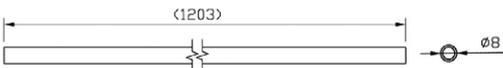
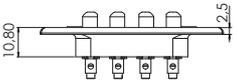
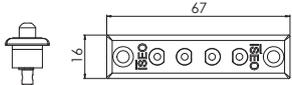
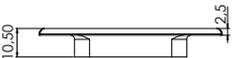
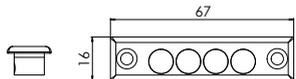
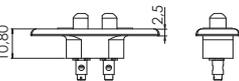
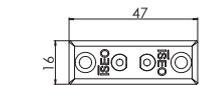
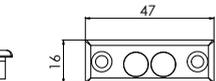
Strike plate 2 for deviators 24x3 mm (also available in 20x3 mm)

ZN steel (stainless steel option) Round edge (square edge option)

033110 1 10 10

Accessories

	Code	Single package	Multiple package	Min. ord.
  <p>Flat, heavy striking plate, with rounded edge, for panic exit mortice locks. ZINC-PLATED steel mm 235x24x3. For series: 216* - 214*</p>	032094	10	-	10
  <p>Upper automatic relatching device</p>	032144...1	-	10	10
 <p>Distance plate for upper automatic relatching device mm 1</p>	032714	-	10	10
 <p>Distance plate for upper automatic relatching device mm 2</p>	032724	-	10	10
 <p>Distance plate for upper automatic relatching device mm 2</p>	032744	-	10	10
  <p>Rod hasp top</p>	032154	-	10	10
  <p>Floor strike cup</p>	032164	-	10	10
 <p>Power cable, with Microfit 3.0 Dual Row 4-pole male connector on one end and 4 stripped cables on the other end, which may be shortened as necessary. For 216E*, 214E* and 214F* series electronic locks</p>	0000A00039	1	10	10
cable 7 m	0000A00095	1	10	10
cable 3 m				

	Code	Single package	Multiple package	Min. ord.
Accessories				
 	032174	-	10	10
 <p>Steel plate for bottom rod hasp, to be fixed on reversible secondary leaves</p>	032704	-	10	10
 	032184	1	-	1
 	0321A4	1	-	1
 	050066	-	50	50
 	050067	-	50	50
 	050068	-	50	50
 	050069	-	50	50

ENDUR4NCE

FIRE RESISTANT MORTICE TYPE



AVAILABLE FOR:

- IDEA BASE INFILARE
- PUSH INFILARE
- PALMO

ENDUR4NCE is synonymous with durability, even in particularly corrosive environmental conditions and in high traffic locations.

ENDUR4NCE also stands for strength and elegance. Installing panic exit devices with this new finish lends a touch of harmony and style to any environment, even the most elegant.

The distinctive visual appearance of this finish also contributes to accentuating the sense of robustness and **safety** of the door itself.

COMPLIANT WITH STANDARD
EN1125:2008

Mortice devices EN1125 and EN179



ENDUR4NCE FINISH

The new ENDUR4NCE finish has been created to cater for the many applications requiring a long-lasting surface finish visually similar to metal.

Devices with the ENDUR4NCE finish have been tested in compliance with the standard UNI EN 1670, demonstrating the excellent performance of finish itself, which resists up to 1600 hours of neutral salt spray (NSS) corrosion testing.

The relative test certificate is available on request.



DOUBLE THE SAFETY: WITH BOTH PANIC EXIT FUNCTIONALITY AND ANTIBACTERIAL PROTECTION

In line with its attention to safety, ISEO has been a pioneer in protecting the health of the users of its products, in particular of its panic exit devices, which are always present in public environments and in all of those places where hygiene and healthcare is a basic requirement (hospitals, clinics, nurseries, schools, and so on).

Since many years, the panic functions has been enriched with antibacterial protection.

This antibacterial treatment is permanent, and does not require any special maintenance. The antibacterial action is based on the continuous release of silver ions, and remains effective for the entire lifespan of the product, even if the surface is scratched.

AntiGerm reduces bacterial levels by 99%, and the efficacy of the treatment is certified by the Department of Molecular Medicine of the University of Padua.

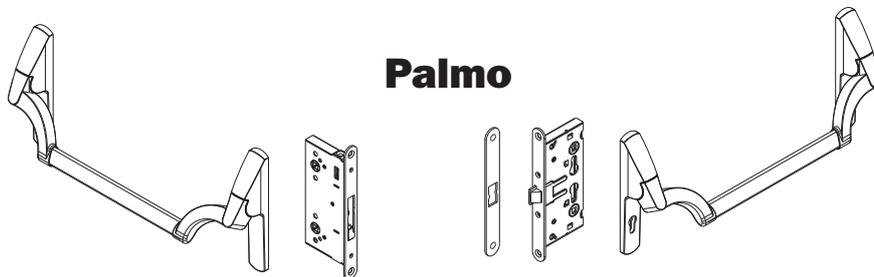
All panic and emergency exit bars with the AntiGerm antibacterial treatment have attained voluntary according to ISO 22196.

Mortice devices EN1125 and EN179

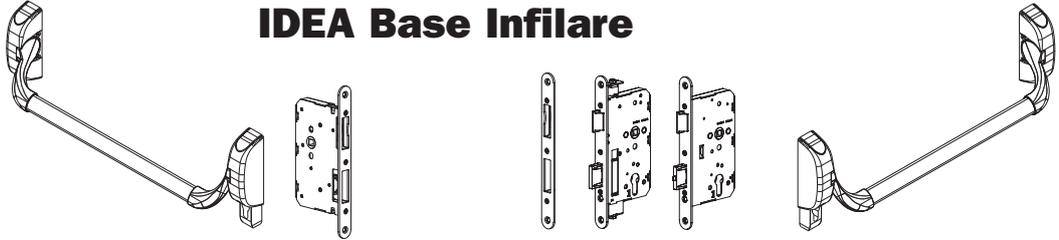


COMPLIANT WITH STANDARD EN1125

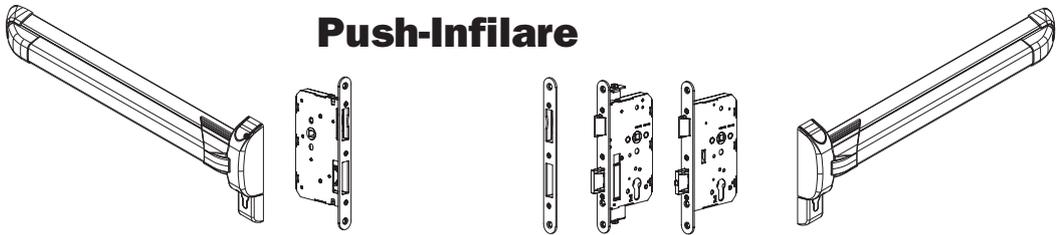
The CE marking demonstrating conformity with EC Regulation 305/2011 (CPR), is only valid if the bars described as follows are installed together with ISEO locks, strike plates, counter locks and accessories, as indicated in the respective AVCP and DoP certificates. In case of installation of certified bars together with locks, counterlocks, accessories and/or strike plates other than those indicated by ISEO, the purchaser is entirely responsible for ensuring conformity with the standard EN 1125.



IDEA Base Infilare



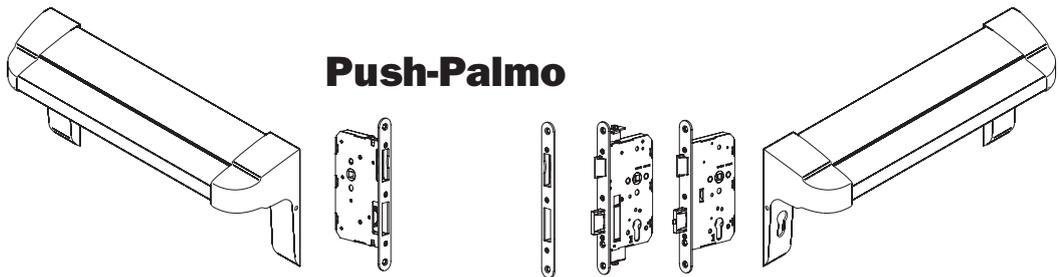
Push-Infilare



Palmo



Push-Palmo



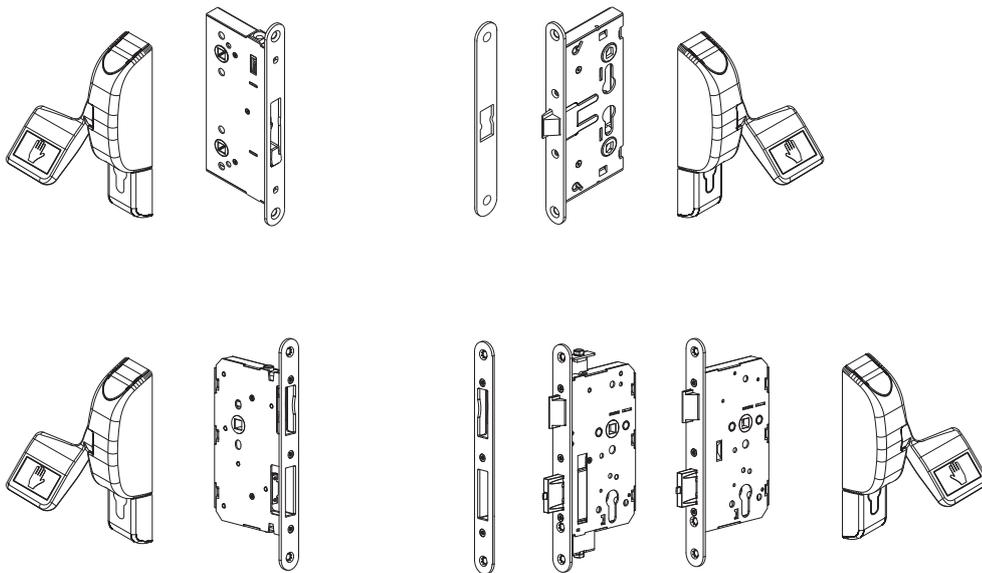
Mortice devices EN1125 and EN179



COMPLIANT WITH STANDARD **EN179**

The CE marking demonstrating conformity with EC Regulation 305/2011 (CPR), is only valid if the mechanisms described as follows are installed together with ISEO locks, strike plates, counter locks and accessories, as indicated in the respective AVCP and DoP certificates. In case of installation of certified mechanisms together with locks, counterlocks, accessories and/or strike plates other than those indicated by ISEO, the purchaser is entirely responsible for ensuring conformity with the standard EN 179.

Pad-Infilare





Code

Single package

Multiple package

Min. ord.



IDEA Base Infilare for main and secondary leaf



IDEA Base Infilare panic exit device for FIRE RESISTANT doors, **FOR MAIN AND SECONDARY LEAF, REVERSIBLE**, can be used with panic exit mortice locks and counterlocks with 9 mm handle follower. Center distance mm 72, with handle follower rotation **30°**.

Templates. Assembly instructions.

9 MM SQUARE SPINDLE NOT INCLUDED.

CE EN1125 marking. UKCA marking.

Accessories to be ordered separately:

Lock 2141**65* - 214910654*- Counterlock 2126**65* - Counterlock 2127**65*

DIN FIR3 panic exit locks series 2D7* 2DB* 2DC* 2DD* 2DE*

NOT for 2D*32* (triple lock for double doors)

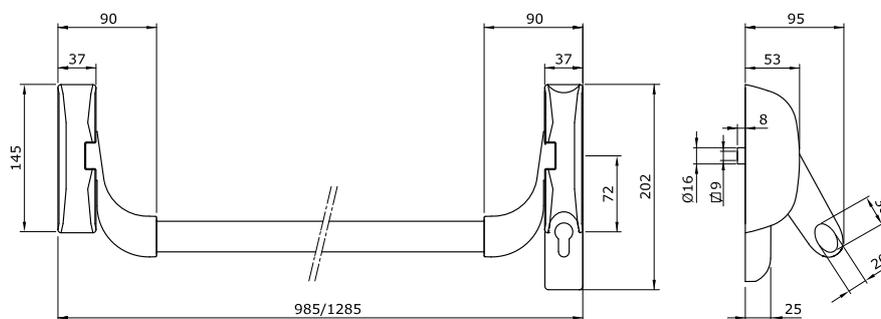
Oval bar 9459* - Striking plate 032094

Microswitch 94100160. Door handles 032*.

Square spindle 9479* - Accessories 0321*4

PVD finish	94C0000203791	1	-	1	NO
ENDUR4NCE finish	94C0000R03791	1	-	1	NO
Painted BLACK	94C0000503791	1	-	1	YES
Painted METAL GREY	94C0000703791	1	-	1	YES

Anti[™]
GERM : antibacterial protection





Code

Single package

Multiple package

Min. ord.



Palmo for main and secondary leaf



Palmo panic exit device for FIRE RESISTANT doors, **FOR MAIN AND SECONDARY LEAF, REVERSIBLE**, can be used with panic exit mortice locks and counterlocks with 9 mm handle follower. Center distance mm 72, with handle follower rotation **30°**. BLACK painted. Templates. Assembly instructions.

SQUARE SPINDLE NOT INCLUDED. CE EN1125 marking. UKCA marking.

Accessories to be ordered separately:

Lock 2141**65* - Counterlock 2126**65* - Counterlock 2127**65*

DIN FIR3 panic exit locks series 2D7* 2DB* 2DC* 2DD* 2DE*

Oval bar 9459* - Striking plate 032094

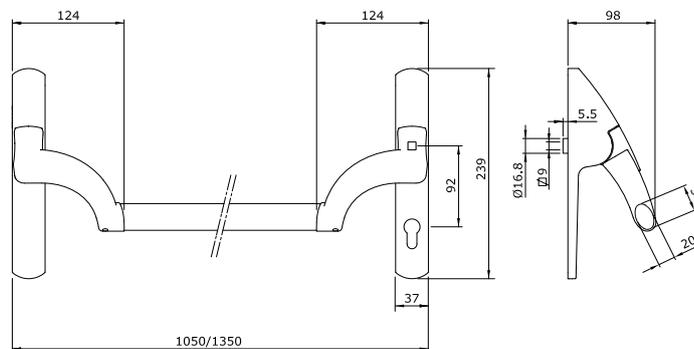
Microswitch 94100160 - Door handles 032*

Square spindle 9479* - Accessories 0321*4

PVD finish	9490000203791	1	-	1	NO
ENDUR4NCE finish	9490000R03791	1	-	1	NO
Painted BLACK	9490000503791	1	-	1	YES
Painted METAL GREY	9490000703791	1	-	1	YES



: antibacterial protection





Code

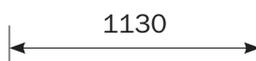
Single package

Multiple package

Min. ord.

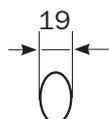


Accessories



Horizontal oval bar for panic exit devices **IDEA Base Infilare - Palmo**.

Length mm **1130**

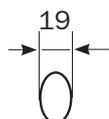


INOX	945922	1	-	1	NO
ENDUR4NCE	94592R	1	-	1	YES
Painted WHITE	945924	1	-	1	YES
Painted BLACK	945925	1	-	1	YES
Painted RED	945928	1	-	1	YES
Painted METAL GREY	945927	1	-	1	YES



Horizontal oval bar for panic exit devices **IDEA Base Infilare - Palmo**.

Length mm **1330**



INOX	945932	1	-	1	NO
ENDUR4NCE	94593R	1	-	1	YES
Painted RED	945938	1	-	1	YES
Painted METAL GREY	945937	1	-	1	YES



Microswitch, to be fitted in exit devices.

SERIES 9490.

Can be used in conjunction with security systems. Fixing screws. Instructions sheet. **94100160** 1 - 1 NO



Microswitch, to be installed in the bracket of the **94C*** series,

"IDEA Base" and **"Bolt"** chassis, used to detect door opening.

Can be used with security systems. Instructions. **94100060** 1 - 1 NO



Code

Single package

Multiple package

Min. ord.



Push-Infilare for main and secondary leaf



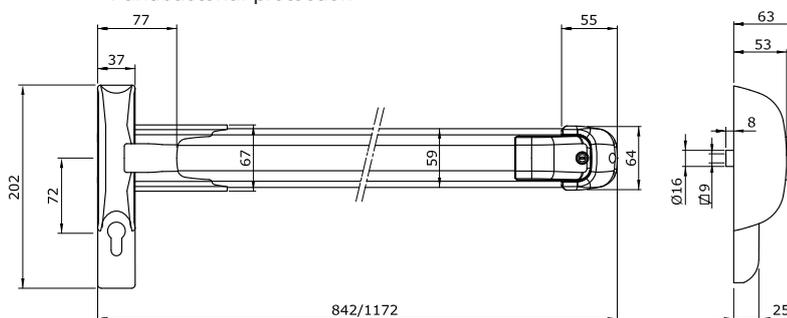
Infilare panic exit device for FIRE RESISTANT doors, **FOR MAIN AND SECONDARY LEAF, REVERSIBLE**, to be used with a panic exit mortice lock and counterlocks with 9 mm handle follower. **CENTER DISTANCE 72 MM** with handle follower rotation **30°**. Shortenable fixing plate allowing the assembly also without the cylinder. Templates. Assembly instructions. SQUARE SPINDLE NOT INCLUDED. CE EN1125 marking. UKCA marking.

Accessories to be ordered separately:

- Lock 2141**65* - 214910654*- Counterlock 2126**65*
- DIN FIR3 panic exit locks series 2D7* 2DB* 2DC* 2DD* 2DE*
- NOT for 2D*32* (triple lock for double doors)
- Counterlock 2127**65* - Striking plate 032094.
- Accessories 0321*4. - Microswitch 94400060 - Door handles 032*.
- Square spindle 9479*.

Length mm 840. Chassis and bar finish ENDUR4NCE	94F0084RR3791	1	-	1	YES
Length mm 840. Chassis and bar painted METAL GREY	94F0084773791	1	-	1	YES
Length mm 840. Chassis painted BLACK and bar painted BLACK	94F0084553791	1	-	1	YES
Length mm 840. Chassis painted BLACK and bar painted GREEN	94F00845V3791	1	-	1	YES
Length mm 840. Chassis painted BLACK and bar painted RED	94F0084583791	1	-	1	YES
Length mm 840. Chassis and bar painted WHITE	94F0084443791	1	-	1	YES
Length mm 1170. Chassis and bar finish ENDUR4NCE	94F0117RR3791	1	-	1	YES
Length mm 1170. Chassis painted BLACK and bar painted GREEN	94F01175V3791	1	-	1	YES
Length mm 1170. Chassis and bar painted METAL GREY	94F0117773791	1	-	1	YES
Length mm 1170. Chassis painted BLACK and bar painted RED	94F0117583791	1	-	1	YES
Length mm 1170. Chassis and bar painted WHITE	94F0117443791	1	-	1	YES
Length mm 1300. Chassis and bar finish ENDUR4NCE	94F0130RR3791	1	-	1	YES
Length mm 1300. Chassis and bar painted METAL GREY	94F0130773791	1	-	1	YES
Length mm 1300. Chassis painted BLACK and bar painted RED	94F0130583791	1	-	1	YES

Anti
GERM : antibacterial protection





Code

Single package

Multiple package

Min. ord.



Push-Palmo for main and secondary leaf



Push Palmo panic exit device for FIRE RESISTANT doors,
FOR MAIN AND SECONDARY LEAF, REVERSIBLE,

to be used with a panic exit mortice lock and counterlocks with 9 mm handle follower.

CENTER DISTANCE 72 MM with handle follower rotation **30°**.

Mechanism in red/black painted finish. Templates. Assembly instructions.

SQUARE SPINDLE NOT INCLUDED. CE EN1125 marking. UKCA marking.

To be ordered separately:

Lock 2141**65* - Counterlock 2126**65* - Counterlock 2127**65*

DIN FIR3 panic exit locks series 2D7* 2DB* 2DC* 2DD* 2DE*

NOT for 2D*32* (triple lock for double doors)

Kit of thermoexpanding gaskets 94000020 - Striking plate 032094

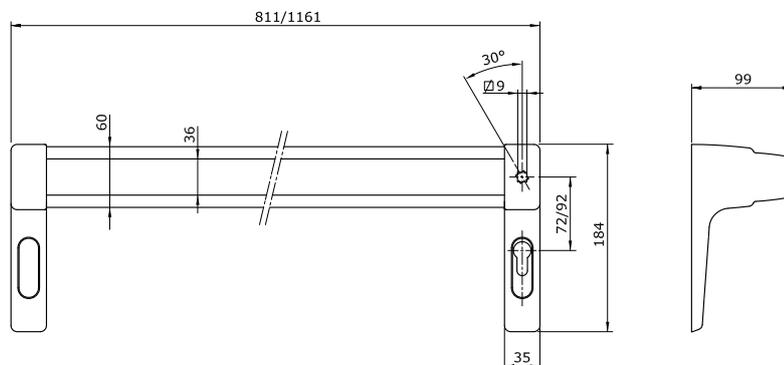
Accessories 0321*4

Microswitch 94400030 - Door handles 032*

Square spindle 9479*

Length mm 811	94490815839.1	1	-	1	YES
Length mm 1161	94491165839.1	1	-	1	YES

Anti
GERM : antibacterial protection





Code

Single package

Multiple package

Min. ord.



Accessories



Microswitch detecting door openings, to be fitted in the **Push Palmo series 9449** mechanism.

Can be used in conjunction with security systems. Instructions sheet.

94400030

1

-

1

-



Microswitch, to be installed in the bracket of the **94F*** and **"Push" 9424** chassis, used to detect door opening.

Can be used with security system. Instructions.

94200060

1

-

1

-



Cover with cylinder hole for European profile cylinder for **Push Palmo bars series 9449** for panic exit mortice locks with **center distance 72/92 mm**.

In BLACK painted zinc diecast.

040840

10

-

10

-



Code

Single package

Multiple package

Min. ord.



Pad-Infilare for main and secondary leaf



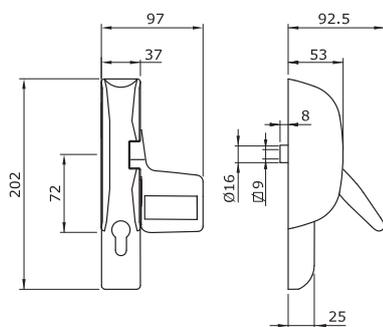
Emergency exit device PAD Infilare for FIRE RESISTANT doors, **FOR MAIN AND SECONDARY LEAF, REVERSIBLE**, can be used with panic exit mortice locks and counterlocks with 9 mm handle follower. Centre distance mm 72, with handle follower rotation 30°. Templates. Assembly instructions. SQUARE SPINDLE NOT INCLUDED. CE EN179 marking. UKCA marking.

Accessories to be ordered separately:

- Lock 21411*65* - Counterlock 2126**65*
- DIN FIR3 panic exit locks series 2D7* 2DB* 2DC* 2DD* 2DE*
- Counterlock 2127**65* - Striking plate 032094
- Square spindle 9479* - Accessories 0321*4 - Door handles 032*

Painted BLACK	94G0000503791	1	-	1	YES
Painted METAL GREY	94G0000703791	1	-	1	YES

Anti_{GERM} : antibacterial protection





Code

Single package

Multiple package

Min. ord.



Handles

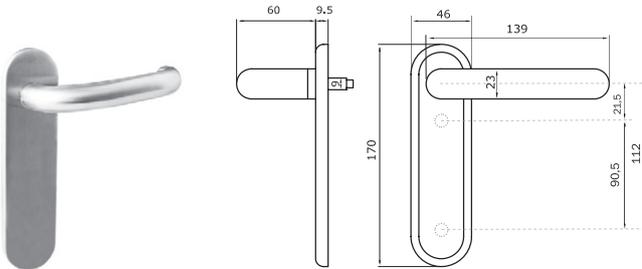


Plate with handle and without cylinder hole.

For fire resistant doors and panic exit fire resistant doors **EN179**.

Supplied with: fixing screws for doors up to mm 63.

STAINLESS STEEL

032532

1

12

12

-

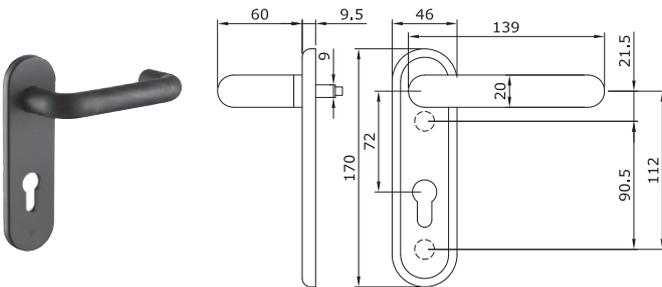


Plate with handle and cylinder hole.

For fire resistant doors and panic exit fire resistant doors **EN179**.

Supplied with: fixing screws for doors up to mm 63.

STAINLESS STEEL

032432

1

12

12

-

GREY

032433

1

12

12

-

BLACK

032435

1

12

12

-



Handle set with cylinder hole.

For fire resistant doors and panic exit fire resistant doors **EN179**.

Supplied with: handle follower mm 125, fixing screws for doors up to mm 63.

STAINLESS STEEL

032412

1

12

12

-

GREY

032413

1

12

12

-

BLACK

032415

1

12

12

-



Code

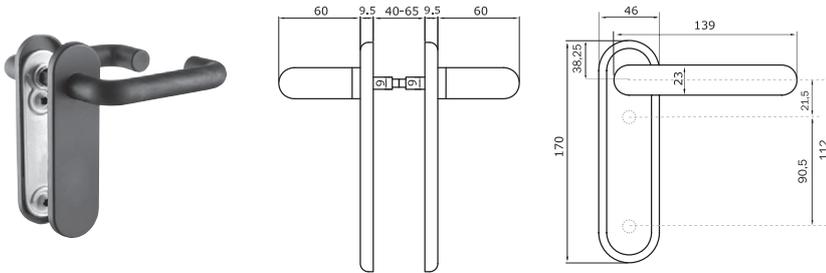
Single package

Multiple package

Min. ord.



Handles



Handle set without cylinder hole.

For fire resistant doors and panic exit fire resistant doors **EN179**.

Supplied with: handle follower mm 125, fixing screws for doors up to mm 63.

BLACK

032515

1

12

12

-

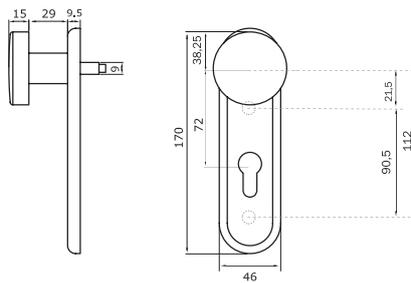


Plate with knob and cylinder hole.

For fire resistant doors and panic exit fire resistant doors **EN179**.

Supplied with: fixing screws for doors up to mm 63.

STAINLESS STEEL

032462

1

12

12

-

BLACK

032465

1

12

12

-

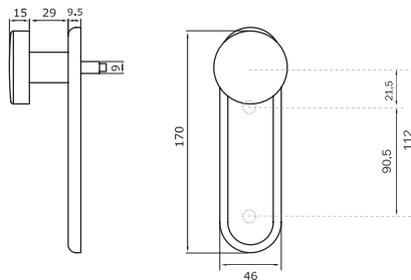


Plate with knob and without cylinder hole.

For fire resistant doors and panic exit fire resistant doors **EN179**.

Supplied with: fixing screws for doors up to mm 63.

GREY

032423

1

12

12

-

BLACK

032425

1

12

12

-



Code

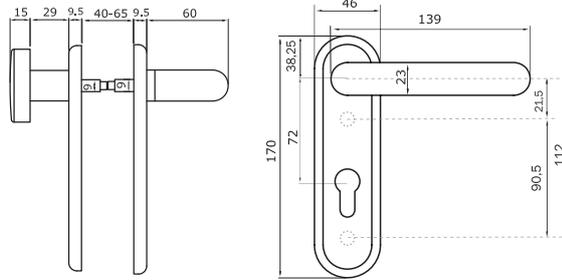
Single package

Multiple package

Min. ord.



Handles

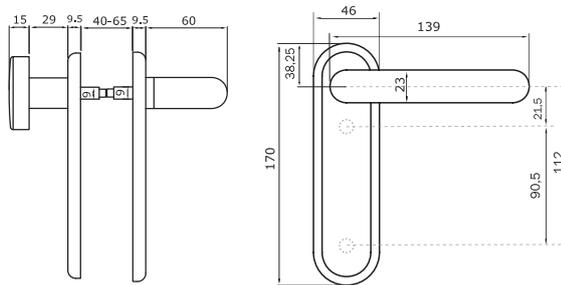


Handle set with knob and cylinder hole.

For fire resistant doors and panic exit fire resistant doors **EN179**.

Supplied with: fixing screws for doors up to mm 63.

STAINLESS STEEL	032402	1	12	12	-
GREY	032403	1	12	12	-
BLACK	032405	1	12	12	-



Handle set with knob and without cylinder hole.

For fire resistant doors and panic exit fire resistant doors **EN179**.

Supplied with: fixing screws for doors up to mm 63.

GREY	032503	1	12	12	-
BLACK	032505	1	12	12	-



Code

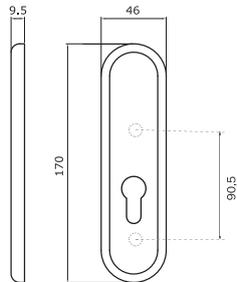
Single package

Multiple package

Min. ord.



Accessories



External plate without handle/knob, with cylinder hole.

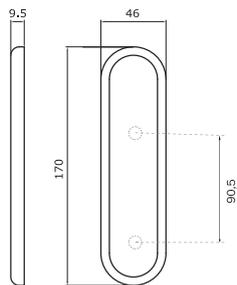
For fire resistant doors and panic exit fire resistant doors.

Supplied with: fixing screws for doors up to mm 63.

BLACK

032455

1 12 12 -



External plate without handle/knob without cylinder hole.

For fire resistant doors and panic exit fire resistant doors.

Supplied with: fixing screws for doors up to mm 63.

BLACK

032445

1 12 12 -



Code

Single
package

Multiple
package

Min. ord.



Accessories



Square spindle mm 9, length **mm 125**

947900

10

-

10

-



Spitted square spindle mm 9

length **mm 55/38**

947910

10

-

10

-

length **mm 55/55**

947920

10

-

10

-

length **mm 65/25**

947990

10

-

10

-

length **mm 65/30**

947980

10

-

10

-

length **mm 65/40**

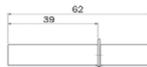
947970

10

-

10

-



Square spindle mm 9, length **mm 62**, with seeger

947930

10

-

10

-

