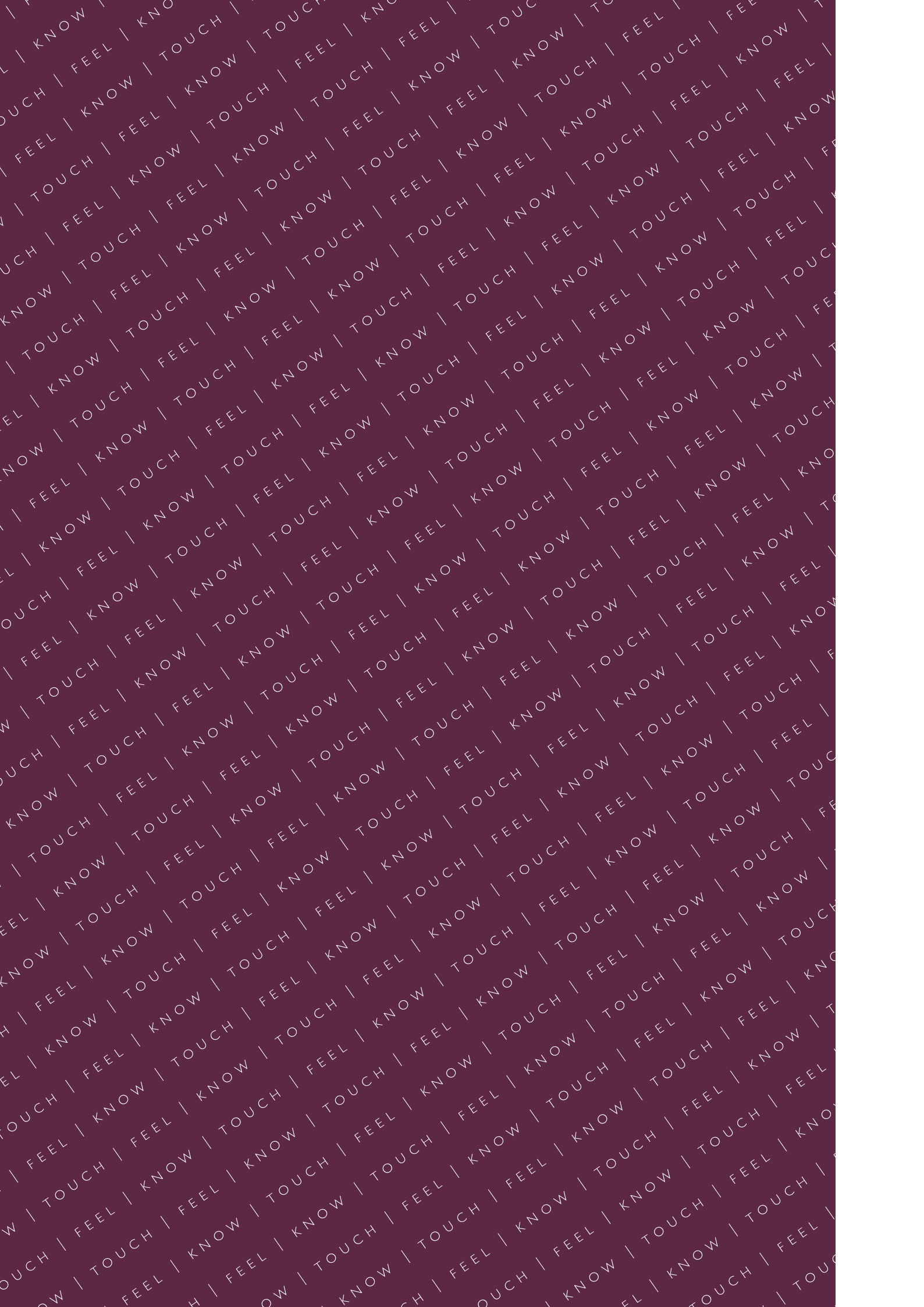




Mi Satori

TOUCH | FEEL | KNOW



Mi Satori

TOUCH | FEEL | KNOW

WALLEBROEK BENELUX B.V.
PASCALLAAN 88 | 8218 NJ LELYSTAD | THE NETHERLANDS
PHONE: 0031 (0)320 295 599 | FAX: 0031 (0)320 295 590
INFO@MI-SATORI.COM | WWW.MI-SATORI.COM

For the information included in this catalog Wallebroek Benelux B.V. assume no liability, nor for any printing errors and deviations in colors. Changes in design and performance of our products are reserved. It is not permitted to full or partial duplicate, copy or reprint of this catalog. This is only permitted after written confirmation from Wallebroek B.V. .

PREFACE

Touch Feel Know

WITH OVER 110 YEARS OF EXPERIENCE THE FAMILY BUSINESS WALLEBROEK CAN BE CALLED A SPECIALIST IN THE FIELD OF EXCLUSIVE ARCHITECTURAL HARDWARE. OUR PASSION FOR OUR WORK IS BASED ON OUR PASSION FOR OUR PRODUCTS. IN THIS CATALOGUE WE HOPE TO SHOW YOU THIS WITH MI SATORI, OUR LUXURY BRAND OF DOOR FITTINGS, LOCKS AND HINGES. A WELL-CHOSEN LINE OF FIXTURES AND FITTINGS CAN FORM THE CROWNING GLORY FOR YOUR INTERIOR. WE ARE CONVINCED OF THAT.



As one of the main suppliers of brass fixtures and fittings, we put our heart and soul into developing and gathering a wide range of special products. A single glance inside this catalogue and you will see that Mi Satori is striving to achieve a complete range of products for all situations. From front door to kitchen cupboard, your entire home can be equipped with hardware in a single style. All of this to give the finishing touch to your carefully chosen interior.

In order to achieve and maintain good quality products, we develop the products ourselves. Carefully selected companies produce our products, using our drawings and moulds. We prefer to work with small family businesses. It's these companies that work with the passion and attention we can relate to.

Our Mi Satori brand specialises in architectural hardware that is suitable for renovated and newly built 1920s and 1930s dwellings. We have an appropriate solution for every requirement. Consider complete architectural styles such as Art Deco with its well-known Ton model, Art Nouveau with its Antique models and the Bauhaus collection with its straight and round shapes. Products with the allure of past times and the technical requirements of today. Our collections are very diverse, but there is one important similarity: each collection complements the home in its distinctive architectural style.

With this new catalogue, we are providing an extensive reference work that will assist you when selecting exclusive architectural hardware. The building styles are clearly presented. Our aim is to create a complete range of products. Should we unexpectedly be unable to provide the application or finish you need, we will be happy to help you find an appropriate solution. We think details are important. That's why we do it...

The Wallebroek team

Mi Satori

TOUCH | FEEL | KNOW

LEVER HANDLE OVERVIEW



PADANIA
15-175



PIATTO
22-175



KARE
24-175



DUAL
30-175



BAUHAUS
39-176



BAUHAUS
48-176



FRANKFURT
56-177



FRANKFURT
59-176



WIG
63-177



CHEMIN DE FER
65-177



HALFSABRE
73-177



BANANA
86-178



LINEA
87-178



DUDOK
99-178



BONTON
103-179



BONTON
110-179



TON
116-179



TON
127-180



BATON
132-180



ART-DECO
134-180



ANTIQUE
143-181



ROMAN
151-181



NOUVEAU
161-181



NOUVEAU
170-182



BAROCK
171-182



Mi Satori

TOUCH | FEEL | KNOW

MI SATORI

Touch Feel Know

Meet Mi Satori. A moment of 'satori' is a moment in life when everything falls into place. It is the last step to acquire an absolute sense of completeness.

The details of a home reveal the personality of the people living there. Mi Satori is aware of that fact. That's exactly why Mi Satori's building fittings come in complete lines. Our architectural lines can be consistently used throughout the house. Coherence creates calm. Mi Satori contributes to increased harmony and comfortable living in your home. Whether you choose the collection Mondéal, Bauhaus, Authentic, Art-Deco or Art-Nouveau. Building fittings by Mi Satori will add the finishing touch to your home.

Mi Satori supplies an extensive range of brass fittings. We choose brass because the most beautiful shapes can be made from this luxury metal. Brass products are available in a wide range of finishes giving them the desired look and protection. Mi Satori is able to satisfy many of its customers' ideas and supply customised solutions if required.

Mi Satori has a complete and matching range of products for every architectural style. Padania, Piatto, Dual and Kare, for example, are part of the Mondéal collection that includes the 'less is more' models. The very complete Bauhaus collection supplies the iconic Bauhaus style, the somewhat more classic Frankfurt model and the reissued Wig, among other models. Half Sabel, Linea, Dudok and Banaan are all amazingly simple models that are almost a century old from the Authentic collection. The timeless Ton model series from the Art Deco collection are particularly well-known. And in the Art Nouveau series, the elegant shapes are typical of models such as Antique and Nouveau. All are very diverse collections, but each has something important in common: each collection complements the home in its distinctive architectural style.



TEN STYLISH DETAILS

Ten details that make Mi Satori products exceptional:

Details make the difference, create a home you'll love to live in. Mi Satori knows that better than anyone. That's why details are such an important priority, even when our products are first being developed. And if you love beautiful things as much as we do, you'll never forget the quality features of Mi Satori building fittings!



1 Authentic models, the door handles of earlier eras

2 Allen screw always placed out of sight as much as possible

3 Smoothly, polished products. On products with a matted finish, all surfaces are polished in one single direction

4 Seamless joins between different materials

5 Locks and hinges in the same finish as the door handles are available

6 Dark, smooth ebony is the real thing, ensuring top quality

7 Security hardware in many different styles with locks in the same finish as the products themselves

8 Security hardware in each style with locks in the same finish as the product itself

9 Plastic washers between handle and rosette are not necessary due to the perfect fitting mounting hardware in a matching finish is included

10 Interchangeable products: choose your own unique product combination within a brand! What's more, we have the most complete lines of architectural hardware.

Mi Satori

TOUCH | FEEL | KNOW

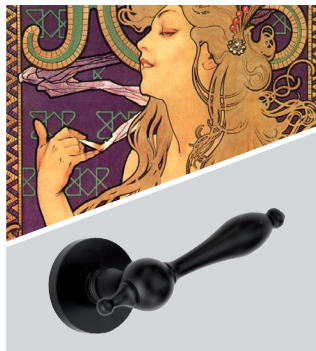
ARCHITECTURAL STYLES TIMELINE

Explanation



■ ART NOUVEAU

Elegant style, created in response to mass production. The wavy lines and stylised plants and flowers are typical of this style. Ebony and cow horn. This was later replaced by bakelite. Models: Antique Roman • Nouveau • Barock.



1895/1912

Page 142-172

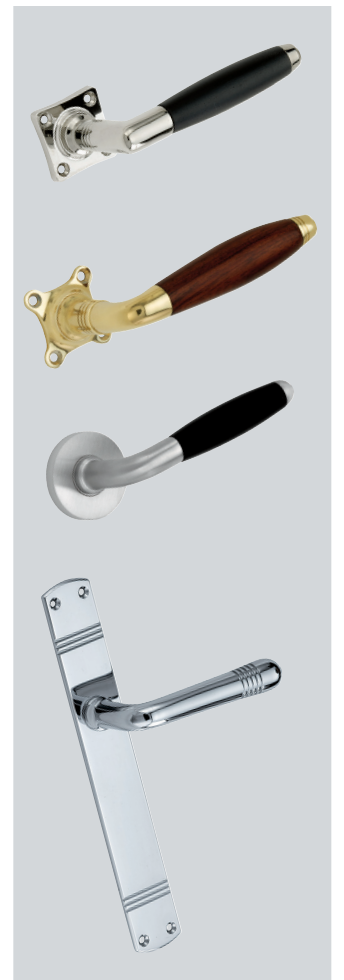
■ ART DECO

The term 'Art Deco' is derived from the name of world exhibition "Exposition Internationale des Arts Décoratifs et Industriels Modernes". It is identifiable by its mathematical and geometric shapes. The designs are often made of expensive materials. Models: Ton model • Art Deco.



1918/1934

Page 142-172



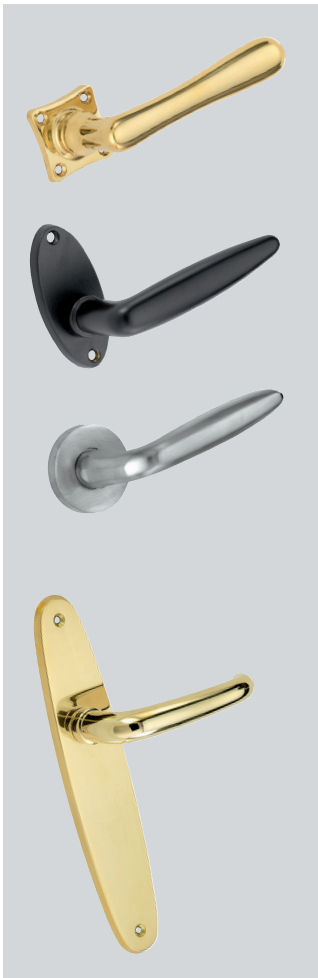
■ AUTHENTIC

Timeless designs, making them true classics. Some models have been unchanged for over a century. Emphasise the unique features of an architectural style. Models: Half Sabel • Linea Dudok • Banaan.



1905/1965

Page 142-172



■ BAUHAUS

German school for architecture and industrial design. Preference is for simple shapes without decoration. With Bauhaus, the function determines the shape. Recently rediscovered for its characteristic simplicity. Models: Bauhaus • Frankfurt • Wig • Chemin de Fer.



1919/1932

Page 142-172



■ MONDÉAL

A style that is used internationally and that emerged after the Second World War. Creating simple, minimalist shapes. Functionality is more important than shape. Greatly valued among architects due to their adoptive nature. Models: Padania • Piatto • Dual • Akab.



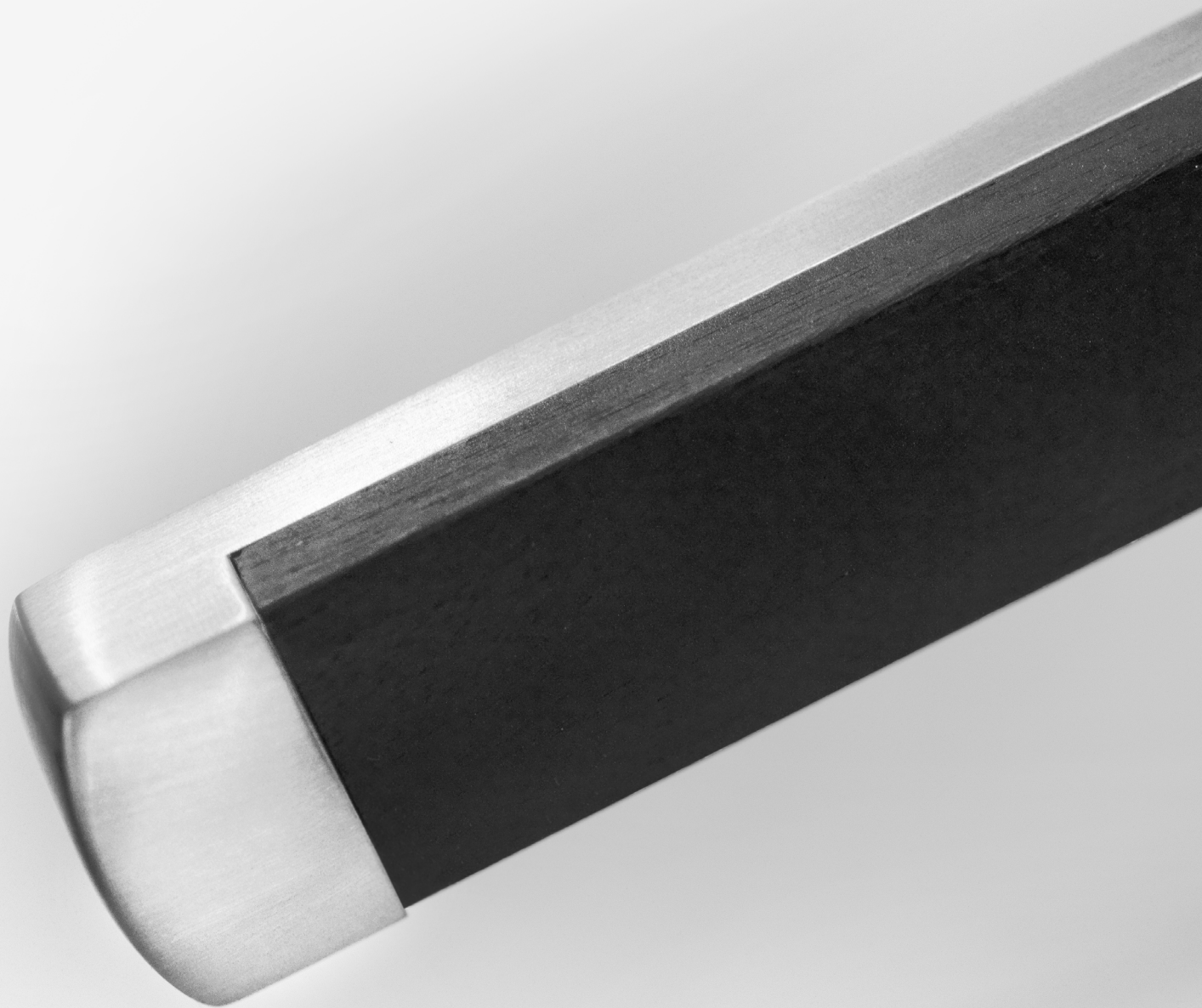
1935/1975

Page 14-37



MI SATORI

Touch Feel Know





PADANIA - PIATTO - KARE - DUAL - MONDEAL

BAUHAUS - FRANKFURT - WIG - CHEMIN DE FER - BAUHAUS

HALFSABRE - BANANA - LINEA - LINEA XL - DUDOK - AUTHENTIC

BONTON - TON - BATON - ART DECO - ART-DECO

ANTIQUE - ROMAN - NOUVEAU - BAROCK - ART-NOUVEAU

DOOR HANDLES, PLATES AND ROSETTES

INTERIOR DOOR FITTINGS

WINDOWS AND DOOR FITTINGS

EXTERIOR DOOR FITTINGS

INTERIOR HARDWARE

INDEX

MONDÉAL

When the Second World War came to an end, people went back to their normal lives. Homes, bridges and roads that had been destroyed or damaged were rebuilt all over Europe. New inventions like steel constructions and reinforced concrete were introduced.

In Dutch architecture, the functionalist Nieuwe Bouwen style and its radical architectural innovations were reaching their heyday. Within this school of architecture, the Delftse School and its symmetry and functionality left their mark on the rebuilding efforts; simplicity, harmony, space and light were key ingredients. Important art movements also emerged after WWII, including Cobra and Pop Art. Modernist architecture developed by the Bauhaus came out of the style. Modernism embraced simple, seemingly minimalist shapes in white, grey and black, with function defining form. Frequently used materials included glass, reinforced concrete and steel. Functionality was more important than form, and that principle extended to common objects such as hardware.

Over the years, building hardware has constantly been influenced by various schools of art and architecture. Many models were designed, only to disappear into oblivion as they went out of style. But post-war models like Padania, Piatto, Dual and Karé are still around. Their 'less is more' look is perfect for the Mondéal collection, inspired by the Modernist style. These models remain popular today, thus proving that the strength of simplicity is just as strong as it was half a century ago.



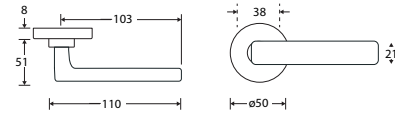
Mi Satori

TOUCH | FEEL | KNOW

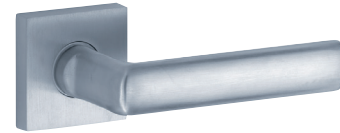
DESCRIPTION	Ω	NUMBER
Lever handle set		00.0074.46
Lever handle set	with spring	00.0074.50
Door handle		00.0004.45
Lever rosette		00.2417.60
Lever rosette	with spring	00.2417.62
Key escutcheon		00.2419.56
Euro profile escutcheon		00.2420.57
Free occupied spindle 5-8mm		00.2443.61



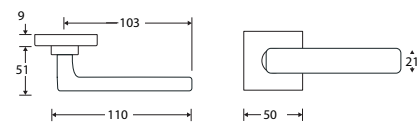
W0100.0074.46



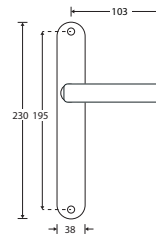
DESCRIPTION	Ω	NUMBER
Lever handle set		00.0075.46
Lever handle set	with spring	00.0075.50
Door handle		00.0004.45
Lever rosette concealed		00.2429.60
Lever rosette concealed	with spring	00.2429.62
Key escutcheon concealed		00.2429.56
Euro profile escutcheon Blind		00.2429.57
Free occupied spindle 5-8mm		00.2443.61



W2300.0075.46



DESCRIPTION	NUMBER
Lever handle set Blind	00.0076.01
Door handle	00.0004.45
Backplate Blind	00.2455.01
Backplate KH56	00.2455.04
Backplate KH72	00.2455.12
Backplate KH92	00.2455.14
Backplate KH110	00.2455.15
Backplate PZ55	00.2455.24
Backplate PZ72	00.2455.27
Backplate PZ92	00.2455.37
Backplate PC110	00.2455.41
Backplate F063	00.2455.67
Backplate F072	00.2455.70
Backplate F078	00.2455.72
Free occupied spindle 5-8mm	00.2443.61



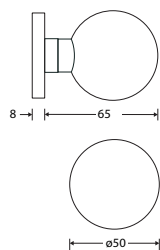
W1100.0076.01



COLORTABLE

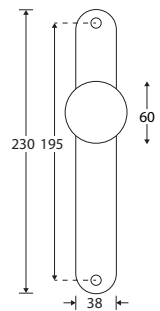
W01	brass lacquered
W11	polished nickel
W13	satin nickel unlacquered
W21	polished chrome
W23	satin chrome

W1100.0050.46



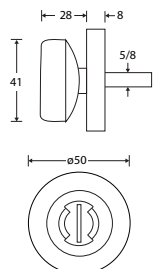
DESCRIPTION	Ω	NUMBER
Knob handle set		00.0050.46
Knob handle set	with spring	00.0050.50
Knob handle 50mm		00.0044.45
Lever rosette		00.2417.60
Lever rosette	with spring	00.2417.62
Key escutcheon		00.2419.56
Euro profile escutcheon		00.2420.57
Free occupied spindle 5-8mm		00.2442.61

W1100.0051.01



DESCRIPTION	NUMBER
Knob handle set Blind	00.0051.01
Knob handle 60mm	00.0045.45
Backplate Blind	00.2455.01
Backplate KH56	00.2455.04
Backplate KH72	00.2455.12
Backplate KH92	00.2455.14
Backplate KH110	00.2455.15
Backplate PZ55	00.2455.24
Backplate PZ72	00.2455.27
Backplate PZ92	00.2455.37
Backplate PZ110	00.2455.41
Backplate F063	00.2455.67
Backplate F072	00.2455.70
Backplate F078	00.2455.72
Free occupied spindle 5-8mm	00.2442.61

W1100.2444.61



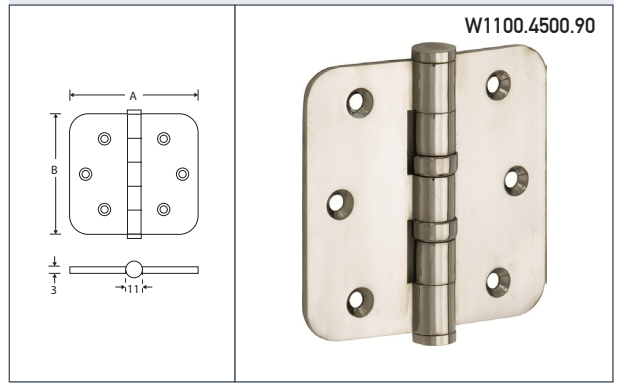
DESCRIPTION	NUMBER
Free occupied set 5-8 mm	00.2444.61

COLORTABLE

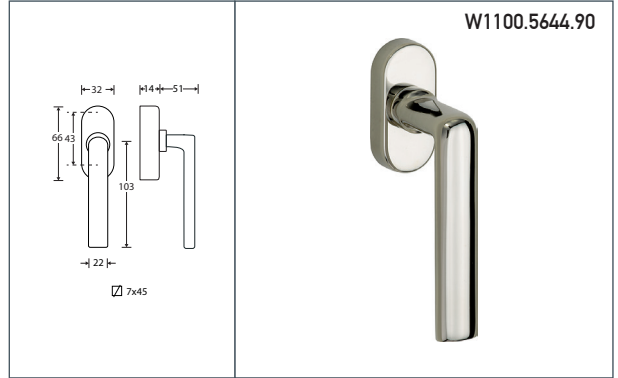
W01	brass lacquered
W11	polished nickel
W13	satın nickel unlacquered
W21	polished chrome
W23	satın chrome



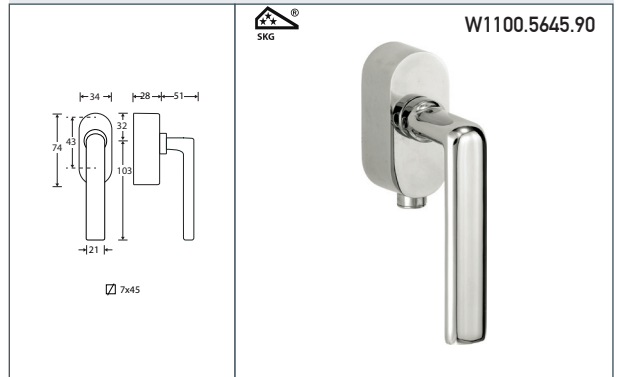
DESCRIPTION	A	B	NUMBER
Ball bearing hinge round corner flat	76 mm	76 mm	00.4500.90
Ball bearing hinge round corner flat	89 mm	89 mm	00.4501.90
Ball bearing hinge straight corner flat	76 mm	76 mm	00.4561.90
Ball bearing hinge straight corner flat	89 mm	89 mm	00.4562.90



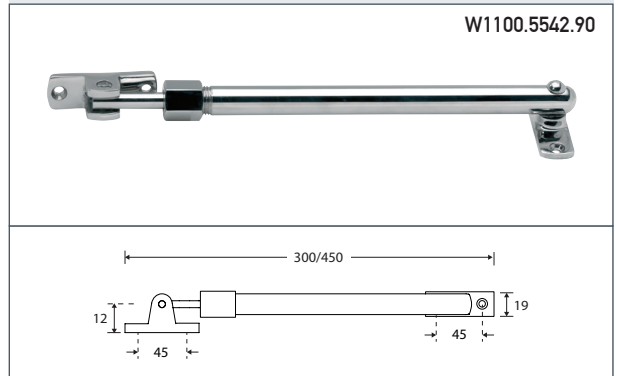
DESCRIPTION	NUMBER
TT mechanism with handle	00.5644.90



DESCRIPTION	NUMBER
Lockable security TT mechanism with handle	00.5645.90



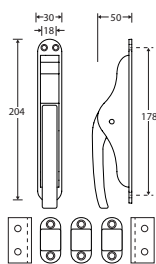
DESCRIPTION	NUMBER
Telescopic casement stay	00.5542.90



COLORTABLE

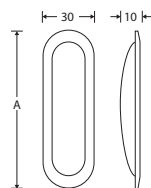
W01	brass lacquered
W11	polished nickel
W13	satin nickel unlacquered
W21	polished chrome
W23	satin chrome

W1100.4509.90



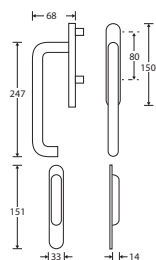
DESCRIPTION	NUMBER
Pump espagnolette complete with bars	00.4509.90
Espagnolette bar elongation set oval with bar	00.5834.90
Espagnolette lock, for square bar	00.9309.90

W1100.4523.90



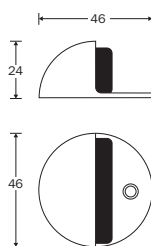
DESCRIPTION	A	NUMBER
Flush handle	71 mm	00.4523.90
Flush handle	102 mm	00.4524.90
Flush handle	135 mm	00.4525.90

W1100.4300.90



DESCRIPTION	NUMBER
Sliding door siphon Blind	00.4300.90
Sliding door siphon PC68	00.4301.90

W1100.4542.90



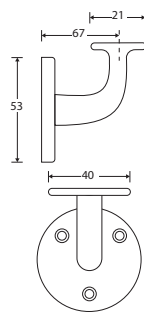
DESCRIPTION	NUMBER
Door stop	00.4542.90

COLORTABLE

W01	brass lacquered
W11	polished nickel
W13	satın nickel unlacquered
W21	polished chrome
W23	satın chrome



DESCRIPTION	NUMBER
Handrail bracket for round rail, with screw holes	00.6924.90
Handrail bracket for round rail, concealed M8	00.6916.90
Handrail bracket for flat rail, concealed M8	00.6918.90
Handrail bracket for flat rail, with screw holes	00.6917.90



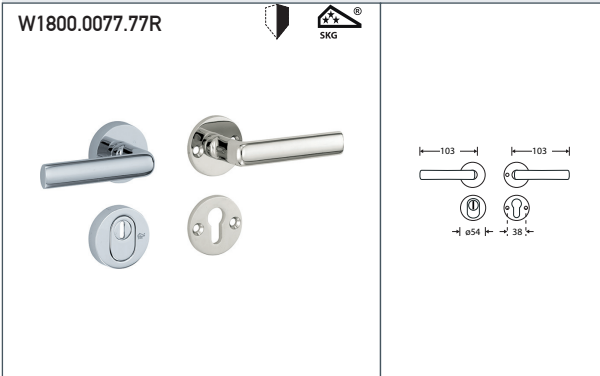
W1100.6924.90



COLORTABLE

W01	brass lacquered
W11	polished nickel
W13	satin nickel unlacquered
W21	polished chrome
W23	satin chrome





DESCRIPTION	NUMBER
Security lever handle set right hand with pull protection	00.0077.77R
Security lever handle set left hand with pull protection	00.0077.77L



DESCRIPTION	NUMBER
Security knob handle set right hand with pull protection	00.0077.80R
Security knob handle set left hand with pull protection	00.0077.80L



DESCRIPTION	NUMBER
Security lever handle set right hand with pull protection PZ72	00.0078.20R
Security lever handle set left hand with pull protection PZ72	00.0078.20L
Security lever handle set right hand with pull protection PZ55	00.0078.07R
Security lever handle set left hand with pull protection PZ55	00.0078.07L
Security lever handle set right hand with pull protection PZ92	00.0078.33R
Security lever handle set left hand with pull protection PZ92	00.0078.33L



DESCRIPTION	NUMBER
Security knob handle set right hand with pull protection PZ72	00.0078.23R
Security knob handle set left hand with pull protection PZ72	00.0078.23L
Security knob handle set right hand with pull protection PZ55	00.0078.10R
Security knob handle set left hand with pull protection PZ55	00.0078.10L
Security knob handle set right hand with pull protection PZ92	00.0078.36R
Security knob handle set left hand with pull protection PZ92	00.0078.36L

COLORTABLE

W01	brass lacquered (interior)
W03	brass PVD (exterior)
W07	brass lacquered / brass PVD
W11	polished nickel (interior)
W13	satin nickel unlacquered (interior)
W14	satin nickel PVD (exterior)
W18	polished nickel / polished chrome
W19	satin nickel lacquered / satin nickel PVD
W21	polished chrome
W23	satin chrome

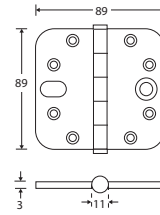


DESCRIPTION

Security hinge round corner flat

NUMBER

00.4060.90



W2100.4060.90



DESCRIPTION

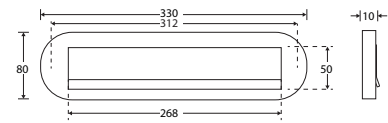
Letter plate oval

NUMBER

00.4091.90



W2100.4091.90



DESCRIPTION

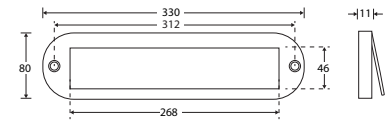
Draught flap oval with brush

NUMBER

00.4093.90



W1100.4093.90

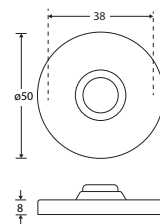


DESCRIPTION

Doorbell round

NUMBER

00.4016.90



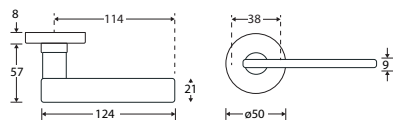
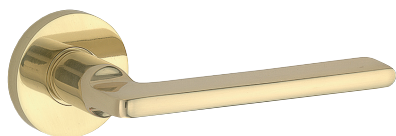
W2100.4016.90



COLORTABLE

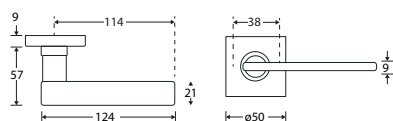
W01	brass lacquered (interior)
W03	brass PVD (exterior)
W07	brass lacquered / brass PVD
W11	polished nickel (interior)
W13	satin nickel unlacquered (interior)
W14	satin nickel PVD (exterior)
W18	polished nickel / polished chrome
W19	satin nickel lacquered / satin nickel PVD
W21	polished chrome
W23	satin chrome

W0100.0079.46



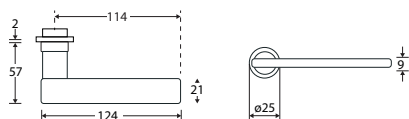
DESCRIPTION	Ω	NUMBER
Lever handle set		00.0079.46
Lever handle set	with spring	00.0079.50
Door handle		00.0046.45
Lever rosette		00.2417.60
Lever rosette	with spring	00.2417.62
Key escutcheon		00.2419.56
Euro profile escutcheon		00.2420.57
Free occupied spindle 5-8mm		00.2443.61

W1100.0080.46



DESCRIPTION	Ω	NUMBER
Lever handle set		00.0080.46
Lever handle set	with spring	00.0080.50
Door handle		00.0046.45
Lever rosette concealed		00.2429.60
Lever rosette concealed	with spring	00.2429.62
Key escutcheon concealed		00.2429.56
Euro profile escutcheon Blind		00.2429.57
Free occupied spindle 5-8mm		00.2443.61

W2100.0209.46



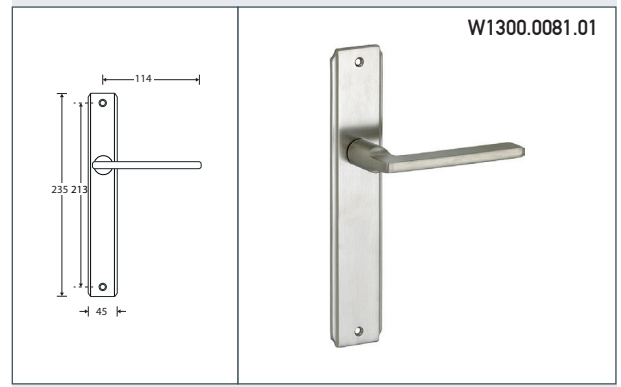
DESCRIPTION	Ω	NUMBER
Lever handle set		00.0209.46
Door handle		00.0046.45
Lever rosette		00.2521.60
Key escutcheon		00.2522.55
Euro profile escutcheon		00.2528.57
Free occupied spindle 5-8mm		00.2443.61

COLORTABLE

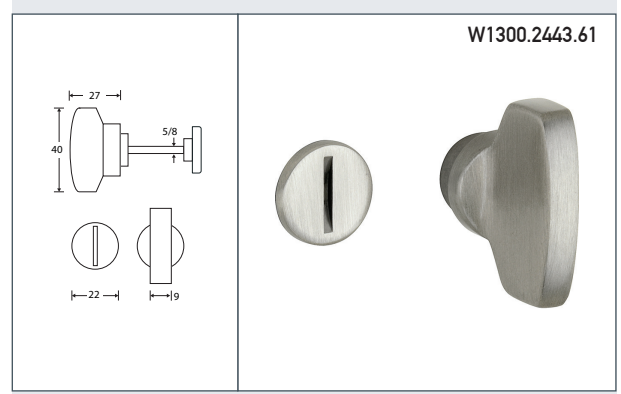
W01	brass lacquered
W11	polished nickel
W13	satın nickel unlacquered
W21	polished chrome
W23	satın chrome



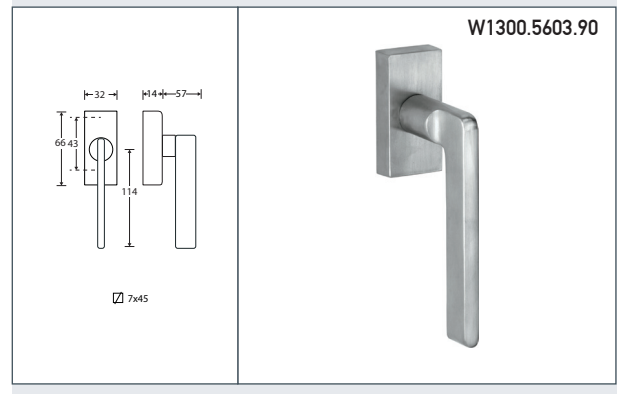
DESCRIPTION	NUMBER
Lever handle set Blind	00.0081.01
Door handle	00.0046.45
Backplate Blind	00.2448.01
Backplate KH56	00.2448.04
Backplate KH72	00.2448.12
Backplate KH92	00.2448.14
Backplate KH110	00.2448.15
Backplate PZ55	00.2448.24
Backplate PZ72	00.2448.27
Backplate PZ92	00.2448.37
Backplate PZ110	00.2448.41
Backplate F063	00.2448.67
Backplate F072	00.2448.70
Backplate F078	00.2448.72
Free occupied spindle 5-8mm	00.2443.61



DESCRIPTION	NUMBER
Free occupied spindle 5-8mm	00.2443.61



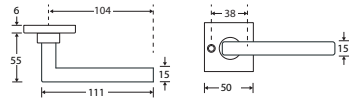
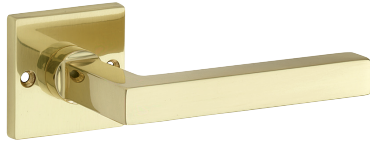
DESCRIPTION	NUMBER
TT mechanism with handle	00.5603.90



COLORTABLE

W01	brass lacquered
W11	polished nickel
W13	satın nickel unlacquered
W21	polished chrome
W23	satın chrome

W0100.0084.46

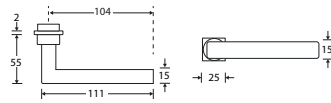


DESCRIPTION

NUMBER

Lever handle set	00.0084.46
Door handle	00.0005.45
Lever rosette	00.2426.60
Key escutcheon	00.2427.56
Euro profile escutcheon	00.2428.57
Free occupied spindle 5-8mm	00.2510.61

W2100.0085.46

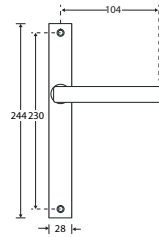


DESCRIPTION

NUMBER

Lever handle set	00.0085.46
Door handle	00.0005.45
Lever rosette	00.2519.60
Key escutcheon	00.2520.55
Euro profile escutcheon	00.2529.57
Free occupied spindle 5-8mm	00.2510.61

W1300.0233.01



DESCRIPTION

NUMBER

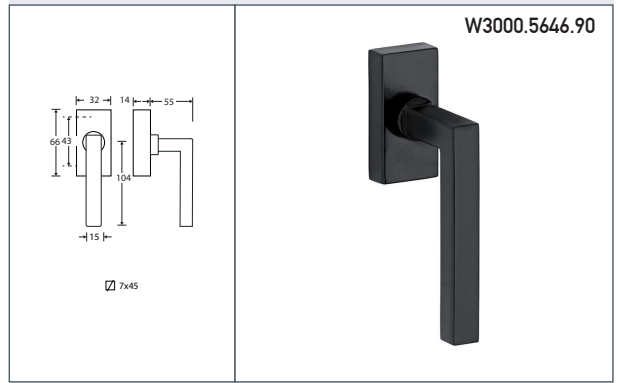
Lever handle set Blind	00.0233.01
Door handle	00.0005.45
Backplate Blind	00.2451.01
Backplate KH56	00.2451.04
Backplate KH72	00.2451.12
Backplate KH92	00.2451.14
Backplate KH110	00.2451.15
Backplate PZ55	00.2451.24
Backplate PZ72	00.2451.27
Backplate PZ92	00.2451.37
Backplate PZ110	00.2451.41
Backplate F063	00.2451.67
Backplate F072	00.2451.70
Backplate F078	00.2451.72
Free occupied spindle 5-8mm	00.2510.61

COLORTABLE

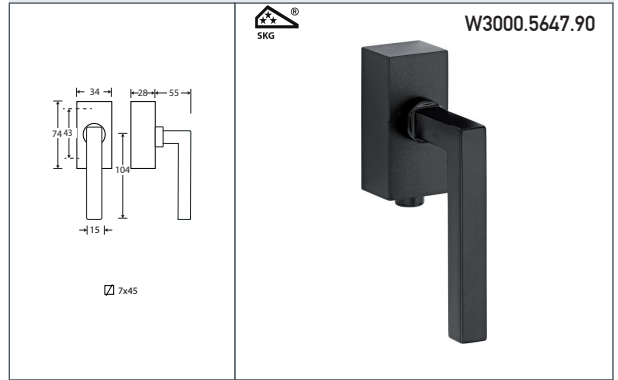
W01	brass lacquered
W11	polished nickel
W13	satin nickel unlacquered
W21	polished chrome
W23	satin chrome
W30	matt black



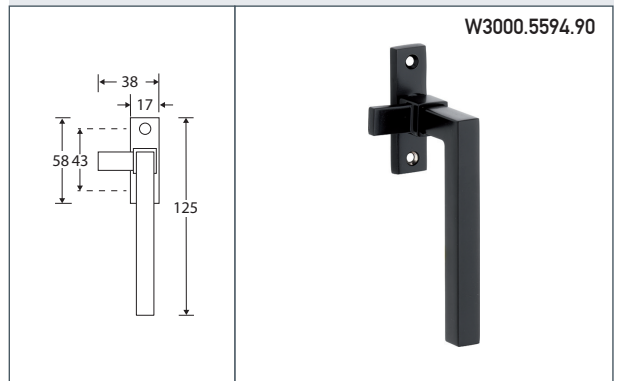
DESCRIPTION	NUMBER
TT mechanism with handle	00.5646.90



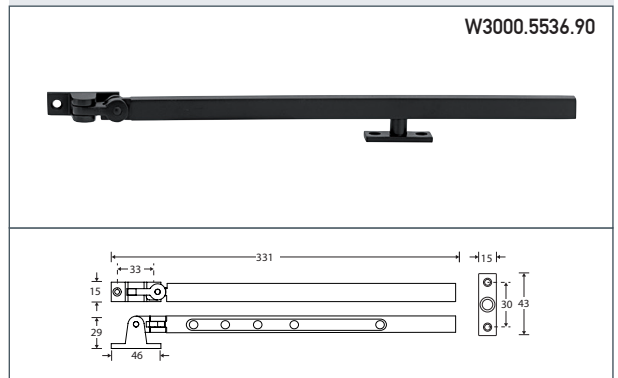
DESCRIPTION	NUMBER
Lockable security TT mechanism with handle	00.5647.90



DESCRIPTION	NUMBER
Window lever handle, right hand, open to outside	00.5594.90
Window lever handle, left hand, open to outside	00.5593.90
Hasp for window lever handle, open to inside	00.9121.90
Shim 3mm for window handle	00.5689.90



DESCRIPTION	NUMBER
Casement stay with pin	00.5536.90
Pin for casement stay	00.9187.90

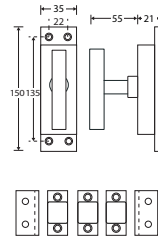


COLORTABLE

W01	brass lacquered
W11	polished nickel
W13	satin nickel unlacquered
W21	polished chrome
W23	satin chrome
W30	matt black



W3000.5651.90

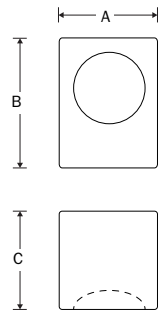


DESCRIPTION

NUMBER

Lever espagnolette T complete, with bars	00.5651.90
Espagnolette bar elongation set rectangular with bar	00.5835.90
Espagnolette lock, for square bar	00.9309.90

W3000.8002.90

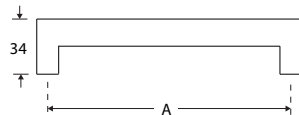


DESCRIPTION

A B C NUMBER

Furniture knob	11 mm	19 mm	11 mm	00.8002.90
Furniture knob	14 mm	22 mm	14 mm	00.8003.90
Furniture knob	17 mm	24 mm	17 mm	00.8004.90
Furniture knob	20 mm	20 mm	20 mm	00.8005.90
Furniture knob	24 mm	32 mm	24 mm	00.8006.90

W3000.8038.90

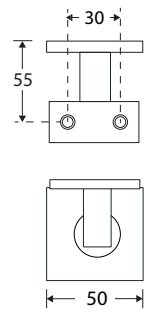


DESCRIPTION

NUMBER

Furniture handle	96 mm	00.8038.90
Furniture handle	128 mm	00.8039.90

W3000.6927.90



DESCRIPTION

NUMBER

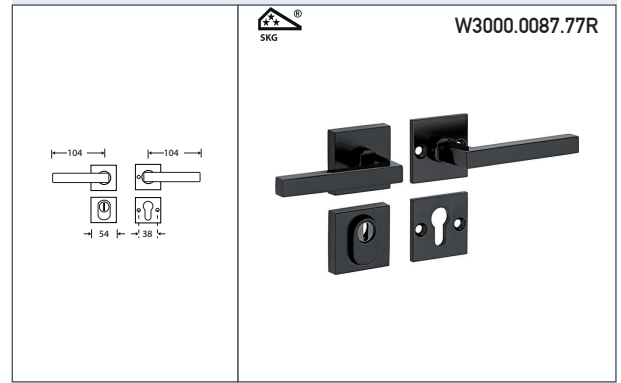
Handrail bracket for flat rail, concealed M10	00.6927.90
Handrail bracket for round rail, concealed M10	00.6926.90

COLORTABLE

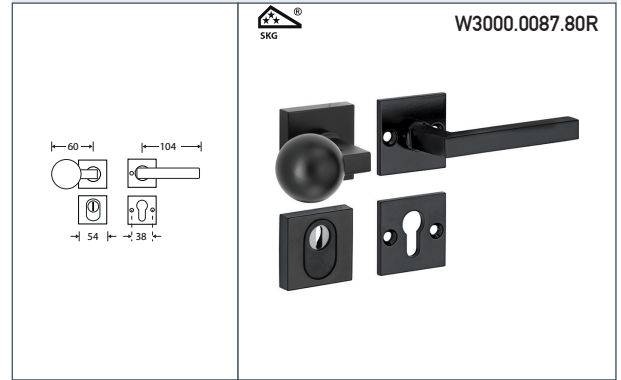
W01	brass lacquered
W11	polished nickel
W13	satin nickel unlacquered
W21	polished chrome
W23	satin chrome
W30	matt black



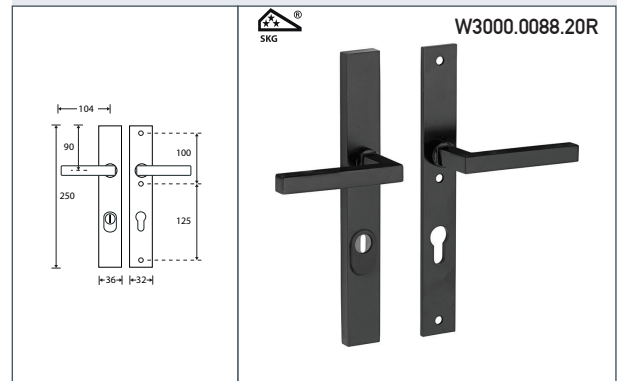
DESCRIPTION	NUMBER
Security lever handle set right hand with pull protection	00.0087.77R
Security lever handle set left hand with pull protection	00.0087.77L



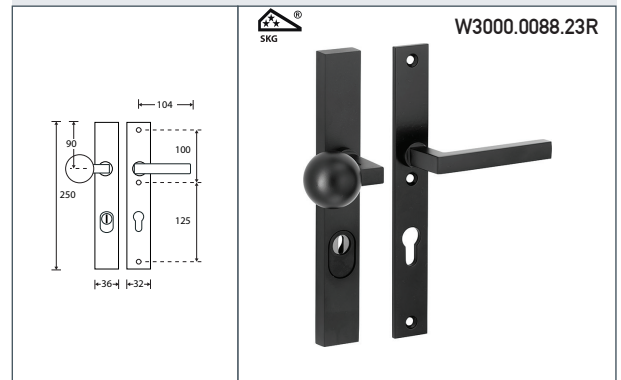
DESCRIPTION	NUMBER
Security knob handle set right hand with pull protection	00.0087.80R
Security knob handle set left hand with pull protection	00.0087.80L



DESCRIPTION	NUMBER
Security lever handle set right hand with pull protection PZ72	00.0088.20R
Security lever handle set left hand with pull protection PZ72	00.0088.20L
Security lever handle set right hand with pull protection PZ55	00.0088.07R
Security lever handle set left hand with pull protection PZ55	00.0088.07L
Security lever handle set right hand with pull protection PZ92	00.0088.33R
Security lever handle set left hand with pull protection PZ92	00.0088.33L



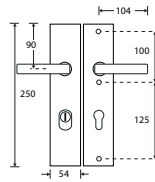
DESCRIPTION	NUMBER
Security knob handle set right hand with pull protection PZ72	00.0088.23R
Security knob handle set left hand with pull protection PZ72	00.0088.23L
Security knob handle set right hand with pull protection PZ55	00.0088.10R
Security knob handle set left hand with pull protection PZ55	00.0088.10L
Security knob handle set right hand with pull protection PZ92	00.0088.36R
Security knob handle set left hand with pull protection PZ92	00.0088.36L



COLORTABLE

W01	brass lacquered (interior)
W03	brass PVD (exterior)
W07	brass lacquered / brass PVD
W11	polished nickel (interior)
W13	satın nickel unlacquered (interior)
W14	satın nickel PVD (exterior)
W18	polished nickel / polished chrome
W19	satın nickel lacquered / satın nickel PVD
W21	polished chrome
W23	satın chrome
W30	matt black

W3000.0238.20R

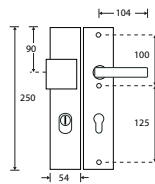


DESCRIPTION

NUMBER

Security lever handle set right hand with pull protection PZ72	00.0238.20R
Security lever handle set left hand with pull protection PZ72	00.0238.20L
Security lever handle set right hand with pull protection PZ55	00.0238.07R
Security lever handle set left hand with pull protection PZ55	00.0238.07L
Security lever handle set right hand with pull protection PZ92	00.0238.33R
Security lever handle set left hand with pull protection PZ92	00.0238.33L

W3000.0238.23R

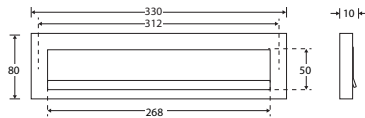


DESCRIPTION

NUMBER

Security knob handle set right hand with pull protection PZ72	00.0238.23R
Security knob handle set left hand with pull protection PZ72	00.0238.23L
Security knob handle set right hand with pull protection PZ55	00.0238.10R
Security knob handle set left hand with pull protection PZ55	00.0238.10L
Security knob handle set right hand with pull protection PZ92	00.0238.36R
Security knob handle set left hand with pull protection PZ92	00.0238.36L

W3000.4090.90

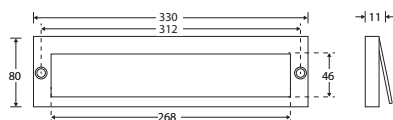


DESCRIPTION

NUMBER

Letter plate rectangular	00.4090.90
--------------------------	------------

W3000.4092.90



DESCRIPTION

NUMBER

Draught flap rectangular with brush	00.4092.90
-------------------------------------	------------

COLORTABLE

W01	brass lacquered (interior)
W03	brass PVD (exterior)
W07	brass lacquered / brass PVD
W11	polished nickel (interior)
W13	satin nickel unlacquered (interior)
W14	satin nickel PVD (exterior)
W18	polished nickel / polished chrome
W19	satin nickel lacquered / satin nickel PVD
W21	polished chrome
W23	satin chrome
W30	matt black



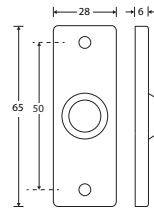
DESCRIPTION

Doorbell rectangular

NUMBER

00.4014.90

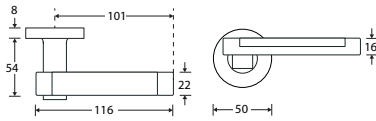
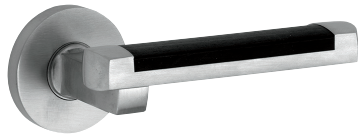
W3000.4014.90



COLORTABLE

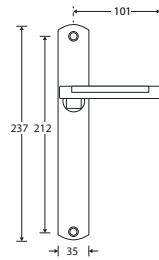
W01	<i>brass lacquered (interior)</i>
W03	<i>brass PVD (exterior)</i>
W07	<i>brass lacquered / brass PVD</i>
W11	<i>polished nickel (interior)</i>
W13	<i>satin nickel unlacquered (interior)</i>
W14	<i>satin nickel PVD (exterior)</i>
W18	<i>polished nickel / polished chrome</i>
W19	<i>satin nickel lacquered / satin nickel PVD</i>
W21	<i>polished chrome</i>
W23	<i>satin chrome</i>
W30	<i>matt black</i>

W1300.0092.46



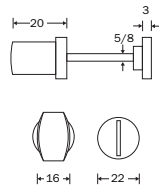
DESCRIPTION	Ω	NUMBER
Lever handle set		00.0092.46
Lever handle set	with spring	00.0092.50
Door handle		00.0064.45
Lever rosette		00.2417.60
Lever rosette	with spring	00.2417.62
Key escutcheon		00.2419.56
Euro profile escutcheon		00.2420.57
Free occupied spindle 5-8mm		00.2509.61

W1100.0094.01



DESCRIPTION	NUMBER
Lever handle set Blind	00.0094.01
Door handle	00.0064.45
Backplate Blind	00.2508.01
Backplate KH56	00.2508.04
Backplate KH72	00.2508.12
Backplate KH92	00.2508.14
Backplate KH110	00.2508.15
Backplate PZ55	00.2508.24
Backplate PZ72	00.2508.27
Backplate PZ92	00.2508.37
Backplate PZ110	00.2508.41
Backplate F063	00.2508.67
Backplate F072	00.2508.70
Backplate F078	00.2508.72
Free occupied spindle 5-8mm	00.2509.61

W1100.2509.61



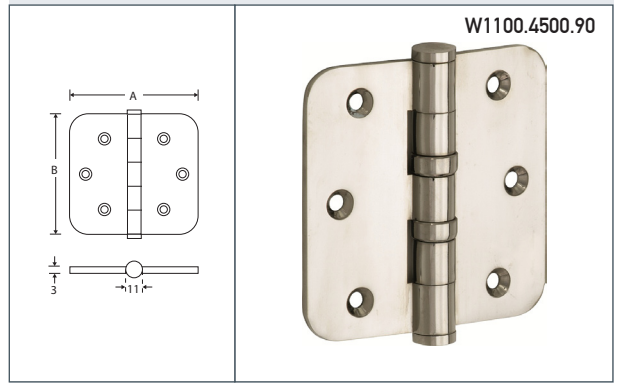
DESCRIPTION	NUMBER
Free occupied spindle 5-8mm	00.2509.61

COLORTABLE

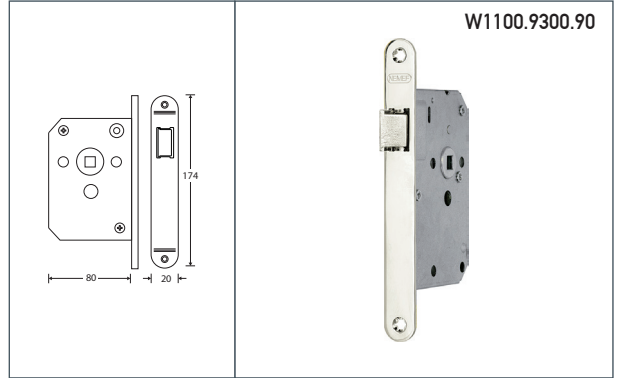
W11	polished nickel ebony
W13	satın nickel unlacquered ebony



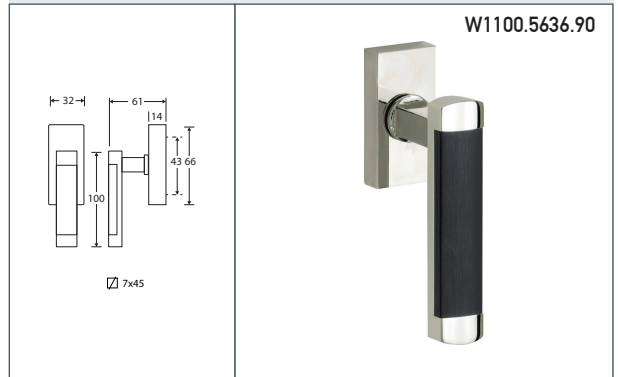
DESCRIPTION	A	B	NUMBER
Ball bearing hinge round corner flat	76 mm	76 mm	00.4500.90
Ball bearing hinge round corner flat	89 mm	89 mm	00.4501.90
Ball bearing hinge straight corner flat	76 mm	76 mm	00.4561.90
Ball bearing hinge straight corner flat	89 mm	89 mm	00.4562.90



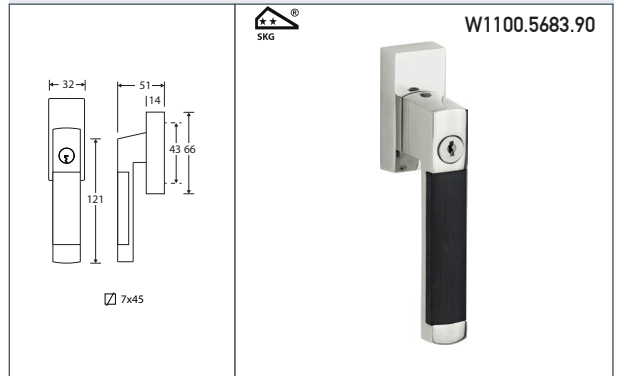
DESCRIPTION	NUMBER
Mortice latch lock	00.9300.90
Mortice cabinet lock KH	00.9301.55
Mortice cabinet lock PZ	00.9302.57
Mortice toilet lock 63-8mm	00.9303.67
Mortice sash lock KH56	00.9304.55
Mortice sash lock PZ55	00.9305.57



DESCRIPTION	NUMBER
TT window handle	00.5636.90



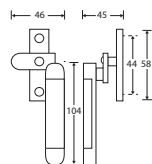
DESCRIPTION	NUMBER
Security TT window handle lockable	00.5683.90



COLORTABLE

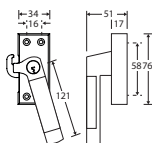
W11	polished nickel ebony
W13	satın nickel unlacquered ebony

W1100.5628.90



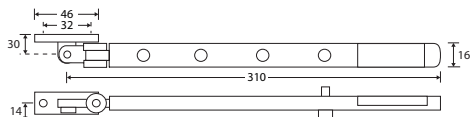
DESCRIPTION	NUMBER
Window lever handle, right hand, open to outside	00.5628.90
Window lever handle, left hand, open to outside	00.5629.90
Hasp for window lever handle, open to inside	00.9121.90
Shim 3mm for window handle	00.5689.90

W1100.5630.90



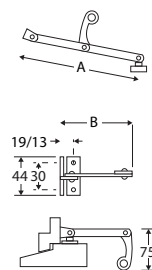
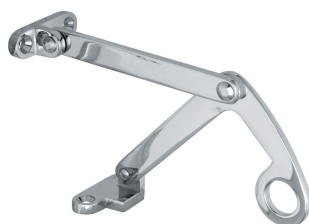
DESCRIPTION	NUMBER
Security window fastener, right hand, open to outside	00.5630.90
Security window fastener, left hand, open to outside	00.5631.90
Shim 3mm for lockable window handle	00.5687.90
End catch for lockable window handle right hand, open to inside	00.9185.90
End catch for lockable window handle left hand, open to inside	00.9184.90

W1100.5632.90



DESCRIPTION	NUMBER
Casement stay with pin	00.5632.90
Pin for casement stay	00.9188.90

W1100.5604.90



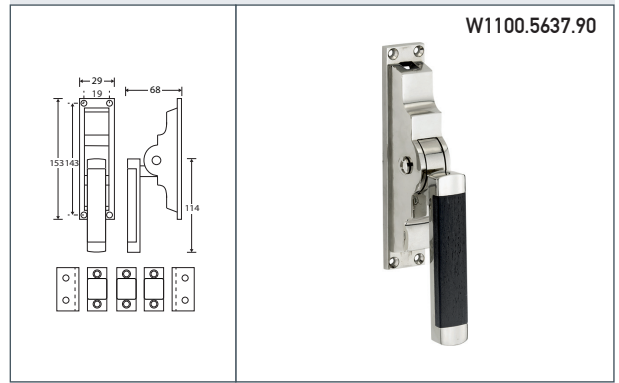
DESCRIPTION	A	B	NUMBER
Awning window operator	125 mm	97 mm	00.5604.90
Awning window operator	175 mm	115 mm	00.5605.90

COLORTABLE

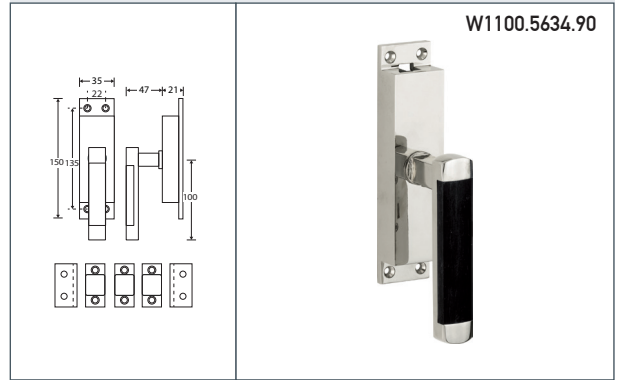
W11	polished nickel ebony
W13	satın nickel unlacquered ebony



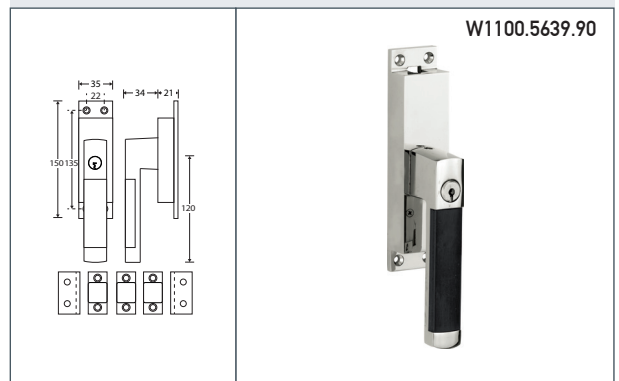
DESCRIPTION	NUMBER
Pump espagnolette complete with bars	00.5637.90
Espagnolette bar elongation set rectangular with bar	00.5835.90
Espagnolette lock, for square bar	00.9309.90



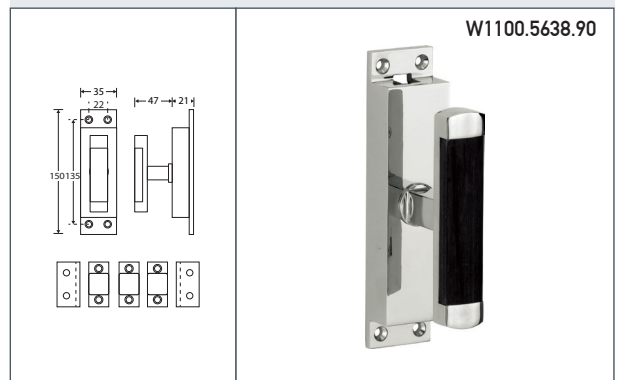
DESCRIPTION	NUMBER
Lever espagnolette complete, right hand with bars	00.5634.90
Lever espagnolette complete, left hand with bars	00.5633.90
Espagnolette bar elongation set rectangular with bar	00.5835.90
Espagnolette lock, for square bar	00.9309.90



DESCRIPTION	NUMBER
Lever espagnolette complete lockable, right hand	00.5639.90
Lever espagnolette complete lockable, left hand	00.5652.90
Espagnolette bar elongation set rectangular with bar	00.5835.90
Espagnolette lock, for square bar	00.9309.90



DESCRIPTION	NUMBER
Lever espagnolette T complete, with bars	00.5638.90
Espagnolette bar elongation set rectangular with bar	00.5835.90
Espagnolette lock, for square bar	00.9309.90



COLORTABLE

W11	polished nickel ebony
W13	satın nickel unlacquered ebony

W1100.4349.90

DESCRIPTION	NUMBER
Pull handle	00.4349.90

W1100.4568.90

DESCRIPTION	NUMBER
Flush handle	00.4568.90

W1100.8058.90

DESCRIPTION	NUMBER
Furniture knob	00.8058.90

W1100.8059.90

DESCRIPTION	A	B	NUMBER
Furniture handle	96 mm	130 mm	00.8059.90
Furniture handle	128 mm	162 mm	00.8060.90
Furniture handle	160 mm	194 mm	00.8061.90
Furniture handle	192 mm	226 mm	00.8062.90
Furniture handle	224 mm	258 mm	00.8063.90

COLORTABLE

W11	polished nickel ebony
W13	satın nickel unlacquered ebony



DESCRIPTION	A	B	NUMBER
Hatch ring concealed	40 mm	30 mm	00.6908.90
Hatch ring concealed	50 mm	38 mm	00.6909.90
Hatch ring concealed	60 mm	47 mm	00.6910.90



DESCRIPTION	NUMBER
Folding hook	00.6914.90



COLORTABLE

- W11 polished nickel ebony
- W13 satin nickel unlacquered ebony

DISTINGUISHED

Elegancy

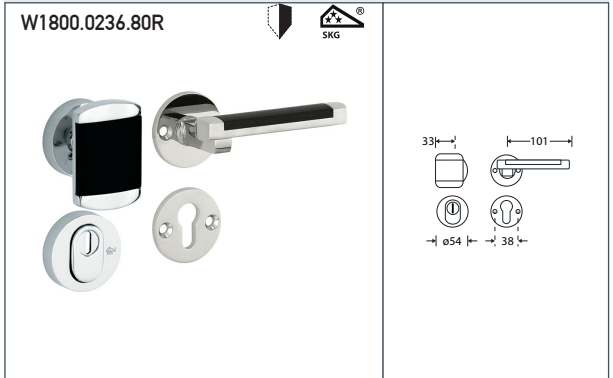
Mi Satori

TOUCH | FEEL | KNOW

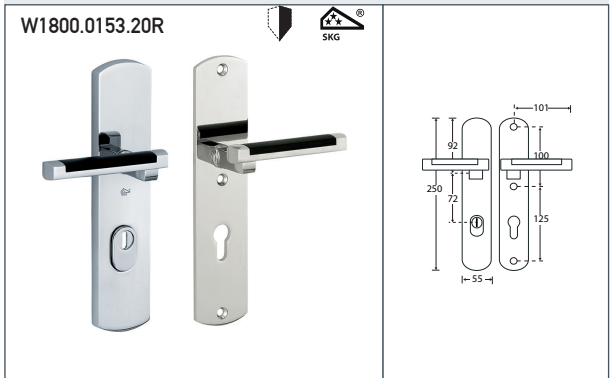
DESCRIPTION	NUMBER
Security lever handle set right hand with pull protection	00.0236.77R
Security lever handle set left hand with pull protection	00.0236.77L



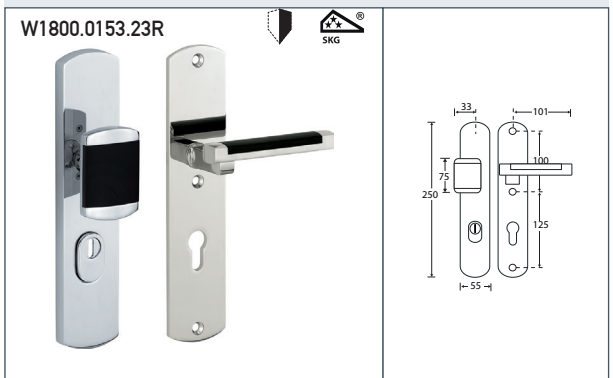
DESCRIPTION	NUMBER
Security knob handle set right hand with pull protection	00.0236.80R
Security knob handle set left hand with pull protection	00.0236.80L



DESCRIPTION	NUMBER
Security lever handle set right hand with pull protection PZ72	00.0153.20R
Security lever handle set left hand with pull protection PZ72	00.0153.20L
Security lever handle set right hand with pull protection PZ55	00.0153.07R
Security lever handle set left hand with pull protection PZ55	00.0153.07L
Security lever handle set right hand with pull protection PZ92	00.0153.33R
Security lever handle set left hand with pull protection PZ92	00.0153.33L



DESCRIPTION	NUMBER
Security knob handle set right hand with pull protection PZ72	00.0153.23R
Security knob handle set left hand with pull protection PZ72	00.0153.23L
Security knob handle set right hand with pull protection PZ55	00.0153.10R
Security knob handle set left hand with pull protection PZ55	00.0153.10L
Security knob handle set right hand with pull protection PZ92	00.0153.36R
Security knob handle set left hand with pull protection PZ92	00.0153.36L



COLORTABLE	
W18	polished nickel ebony / polished chrome matt black
W19	satın nickel lacquered ebony / satın nickel PVD matt black

BAUHAUS

In 1919, a school for teaching architecture and industrial design was founded in Germany by Walter Gropius (architect) and Johannes Itten (artist): the Staatliches Bauhaus, which was soon abbreviated to 'Bauhaus'.

Bauhaus was a school where the arts and traditional craftsmanship supplemented and merged with each other. Famous painters like Kandinsky and Nagy taught there, and such architects as Breuer were trained there. Bauhaus was a major influence across the board, not only on arts and architecture, but on graphic design, interior architecture and industrial design.

The Bauhaus style preferred simple shapes without frills or decorations: form following function. Efficient and elegant furniture and household objects were being designed: transparent, simple and functional, such as armchairs built from curved pipes and the famous Wasily chair. Frequently used materials include steel pipes, glass, curved wood, leather and plastics, mainly in shades of black, white, grey and chrome.

The Bauhaus-Style door handle designed by Walter Gropius with ebony grip is an icon of Bauhaus design. The combination of the steel square handle contrasting the round black ebony wooden grip resulting in a timeless model that can be used in many interiors. The Wig model is originally designed by Max Burchartz. This is also a handle which is beautiful thanks to the simplicity of its design.

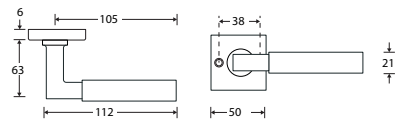
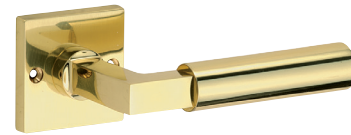


Mi Satori

TOUCH | FEEL | KNOW

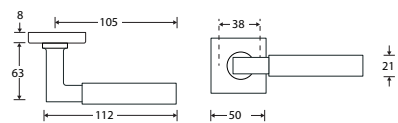
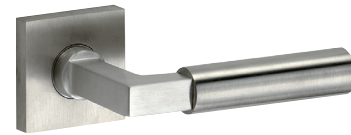
DESCRIPTION	NUMBER
Lever handle set	00.0097.46
Door handle	00.0024.45
Lever rosette	00.2426.60
Key escutcheon	00.2427.56
Euro profile escutcheon	00.2428.57
Free occupied spindle 5-8mm	00.2510.61

W0200.0097.46



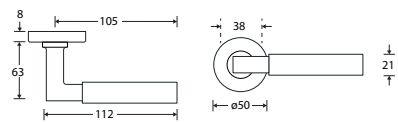
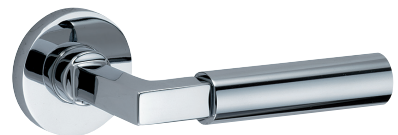
DESCRIPTION	Ω	NUMBER
Lever handle set		00.0098.46
Lever handle set	with spring	00.0098.50
Door handle		00.0024.45
Lever rosette concealed		00.2429.60
Lever rosette concealed	with spring	00.2429.62
Key escutcheon concealed		00.2429.56
Euro profile escutcheon Blind		00.2429.57
Free occupied spindle 5-8mm		00.2510.61

W1300.0098.46



DESCRIPTION	Ω	NUMBER
Lever handle set		00.0099.46
Lever handle set	with spring	00.0099.50
Door handle		00.0024.45
Lever rosette		00.2417.60
Lever rosette	with spring	00.2417.62
Key escutcheon		00.2419.56
Euro profile escutcheon		00.2420.57
Free occupied set 5-8 mm		00.2444.61

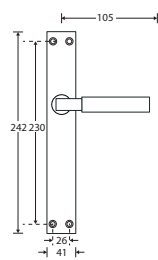
W2100.0099.46



COLORTABLE

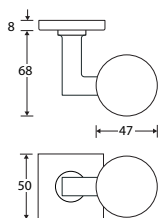
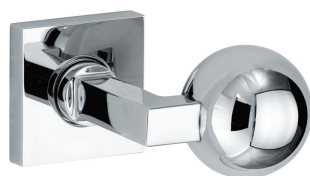
W02	brass unlacquered
W05	brass antique
W11	polished nickel
W13	satın nickel unlacquered
W21	polished chrome
W30	matt black

W2100.0100.01



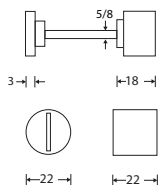
DESCRIPTION	NUMBER
Lever handle set Blind	00.0100.01
Door handle	00.0024.45
Backplate Blind	00.2450.01
Backplate KH56	00.2450.04
Backplate KH72	00.2450.12
Backplate KH92	00.2450.14
Backplate KH110	00.2450.15
Backplate PZ55	00.2450.24
Backplate PZ72	00.2450.27
Backplate PZ92	00.2450.37
Backplate PZ110	00.2450.41
Backplate F063	00.2450.67
Backplate F072	00.2450.70
Backplate F078	00.2450.72
Free occupied spindle 5-8mm	00.2510.61

W2100.0038.46



DESCRIPTION	Ω	NUMBER
Knob handle set		00.0038.46
Knob handle set	with spring	00.0038.50
Knob handle set		00.0040.45
Lever rosette concealed		00.2429.60
Lever rosette concealed	with spring	00.2429.62
Key escutcheon concealed		00.2429.56
Euro profile escutcheon Blind		00.2429.57
Free occupied spindle 5-8mm		00.2510.61

W2100.2510.61



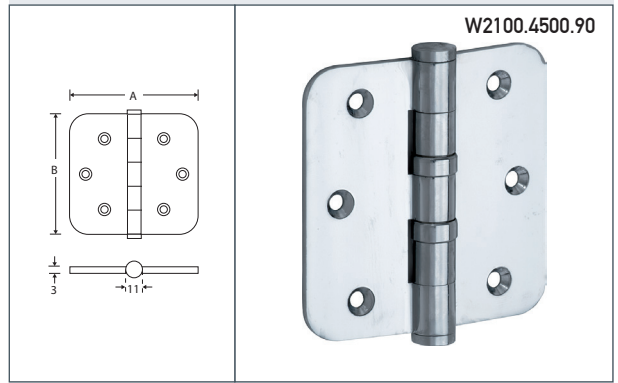
DESCRIPTION	NUMBER
Free occupied spindle 5-8mm	00.2510.61

COLORTABLE

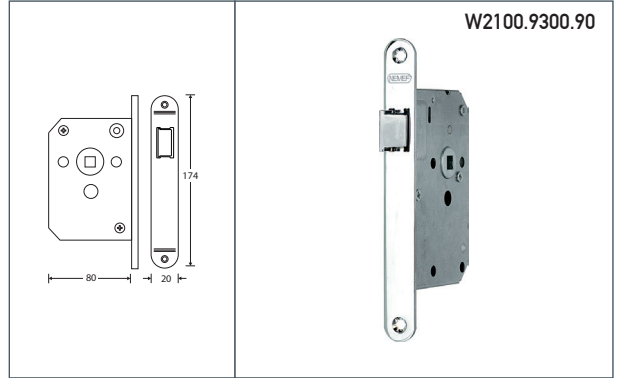
W02	brass unlacquered
W05	brass antique
W11	polished nickel
W13	satin nickel unlacquered
W21	polished chrome
W30	matt black



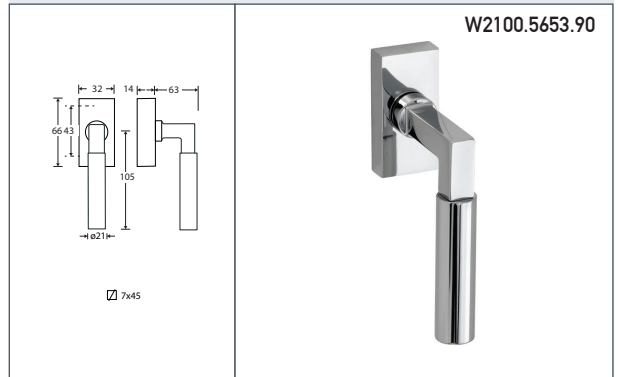
DESCRIPTION	A	B	NUMBER
Ball bearing hinge round corner flat	76 mm	76 mm	00.4500.90
Ball bearing hinge round corner flat	89 mm	89 mm	00.4501.90
Ball bearing hinge straight corner flat	76 mm	76 mm	00.4561.90
Ball bearing hinge straight corner flat	89 mm	89 mm	00.4562.90



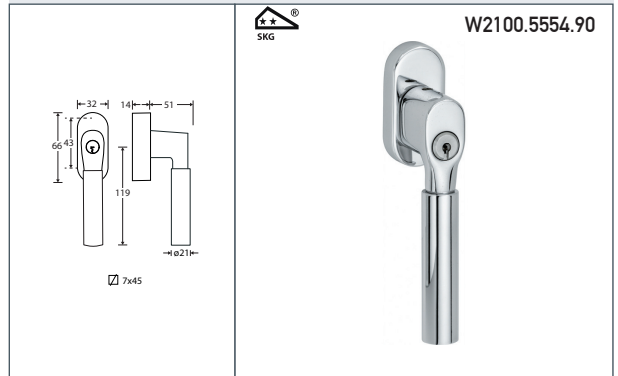
DESCRIPTION	NUMBER
Mortice latch lock	00.9300.90
Mortice cabinet lock KH	00.9301.55
Mortice cabinet lock PZ	00.9302.57
Mortice toilet lock 63-8mm	00.9303.67
Mortice sash lock KH56	00.9304.55
Mortice sash lock PZ55	00.9305.57



DESCRIPTION	NUMBER
TT mechanism with handle	00.5653.90





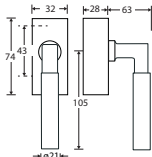
DESCRIPTION	NUMBER
Security TT window handle lockable	00.5554.90



COLORTABLE

W02	brass unlacquered
W05	brass antique
W11	polished nickel
W13	satin nickel unlacquered
W21	polished chrome
W30	matt black


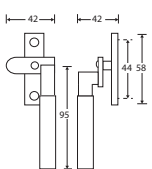
W2100.5654.90 


7x45


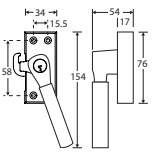
DESCRIPTION	NUMBER
Security TT window handle lockable	00.5654.90

W2100.5825.90


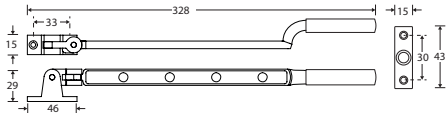
DESCRIPTION	NUMBER
Window lever handle, right hand, open to outside	00.5825.90
Window lever handle, left hand, open to outside	00.5826.90
Hasp for window lever handle, open to inside	00.9121.90
Shim 3mm for window handle	00.5689.90

W2100.5525.90 

DESCRIPTION	NUMBER
Security window fastener, right hand, open to outside	00.5525.90
Security window fastener, left hand, open to outside	00.5524.90
Shim 3mm for lockable window handle	00.5687.90
End catch for lockable window handle right hand, open to inside	00.9185.90
End catch for lockable window handle left hand, open to inside	00.9184.90

W2100.5538.90

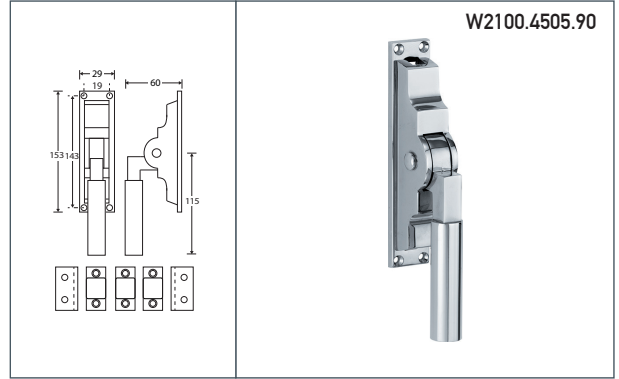
DESCRIPTION	NUMBER
Casement stay with pin	00.5538.90
Pin for casement stay	00.9187.90

COLORTABLE

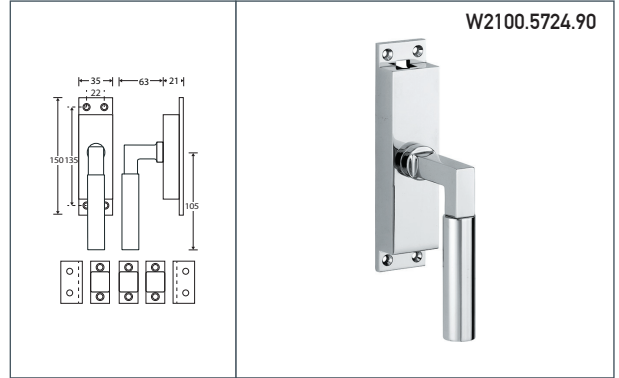
W02	brass unlacquered
W05	brass antique
W11	polished nickel
W13	satin nickel unlacquered
W21	polished chrome
W30	matt black



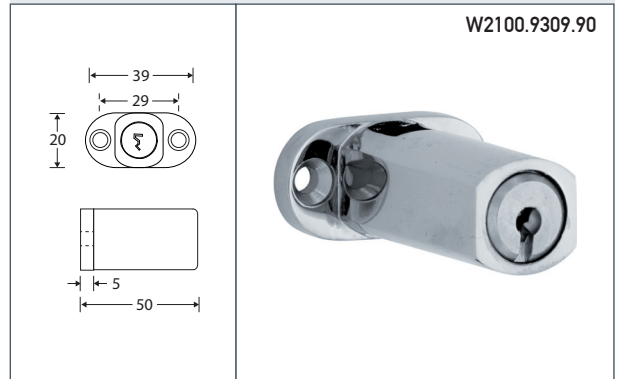
DESCRIPTION	NUMBER
Pump espagnolette complete with bars	00.4505.90
Espagnolette bar elongation set rectangular with bar	00.5835.90
Espagnolette lock, for square bar	00.9309.90



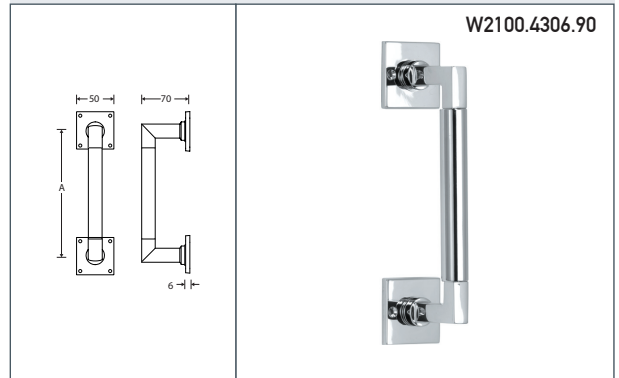
DESCRIPTION	NUMBER
Lever espagnolette complete, right hand with bars	00.5724.90
Lever espagnolette complete, left hand with bars	00.5723.90
Espagnolette bar elongation set rectangular with bar	00.5835.90
Espagnolette lock, for square bar	00.9309.90



DESCRIPTION	NUMBER
Espagnolette lock, for square bar	00.9309.90



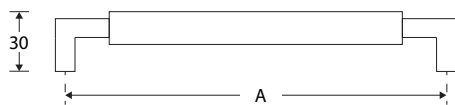
DESCRIPTION	A	NUMBER
Pull handle on square rosette	182 mm	00.4306.90
Pull handle on square rosette	300 mm	00.4307.90
Pull handle on square rosette	600 mm	00.4308.90



COLORTABLE

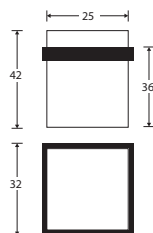
W02	brass unlacquered
W05	brass antique
W11	polished nickel
W13	satin nickel unlacquered
W21	polished chrome
W30	matt black

W2100.8071.90



DESCRIPTION	A	NUMBER
Furniture handle	96 mm	00.8071.90
Furniture handle	128 mm	00.8072.90
Furniture handle	160 mm	00.8073.90
Furniture handle	192 mm	00.8074.90

W2100.4558.90



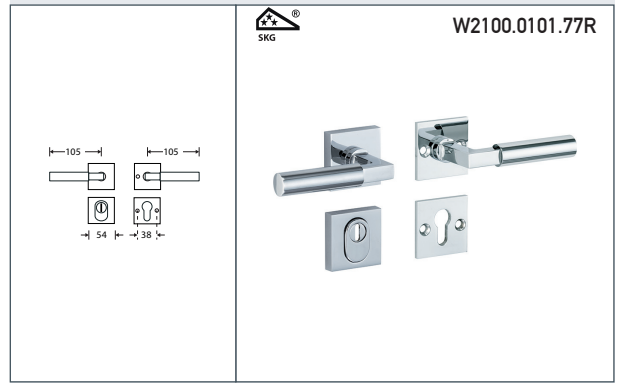
DESCRIPTION	NUMBER
Door stop	00.4558.90

COLORTABLE

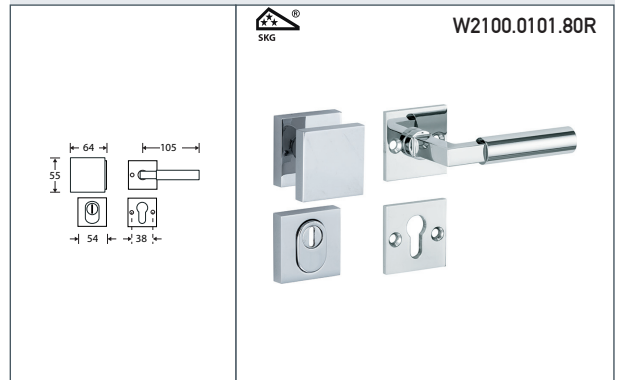
- W02 brass unlacquered
- W05 brass antique
- W11 polished nickel
- W13 satin nickel unlacquered
- W21 polished chrome
- W30 matt black



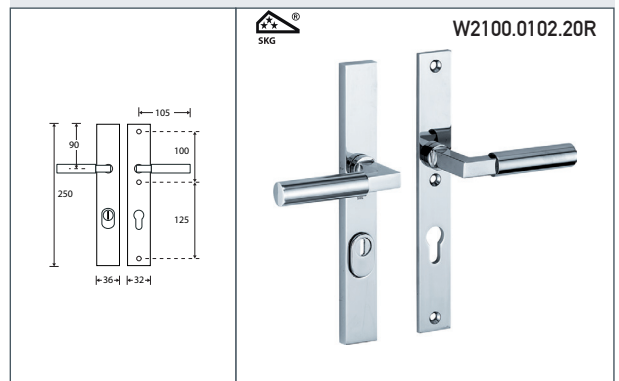
DESCRIPTION	NUMBER
Security lever handle set right hand with pull protection	00.0101.77R
Security lever handle set left hand with pull protection	00.0101.77L



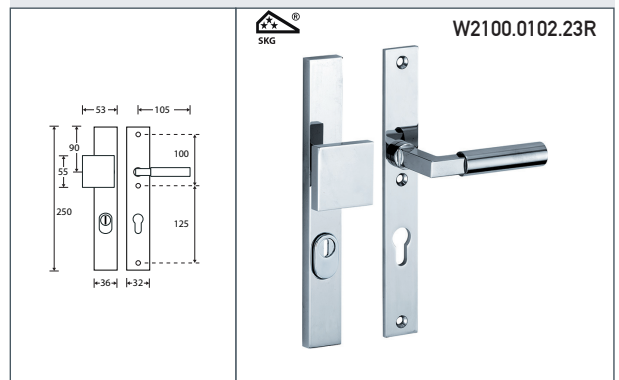
DESCRIPTION	NUMBER
Security knob handle set right hand with pull protection	00.0101.80R
Security knob handle set left hand with pull protection	00.0101.80L



DESCRIPTION	NUMBER
Security lever handle set right hand with pull protection PZ72	00.0102.20R
Security lever handle set left hand with pull protection PZ72	00.0102.20L
Security lever handle set right hand with pull protection PZ55	00.0102.07R
Security lever handle set left hand with pull protection PZ55	00.0102.07L
Security lever handle set right hand with pull protection PZ92	00.0102.33R
Security lever handle set left hand with pull protection PZ92	00.0102.33L



DESCRIPTION	NUMBER
Security knob handle set right hand with pull protection PZ72	00.0102.23R
Security knob handle set left hand with pull protection PZ72	00.0102.23L
Security knob handle set right hand with pull protection PZ55	00.0102.10R
Security knob handle set left hand with pull protection PZ55	00.0102.10L
Security knob handle set right hand with pull protection PZ92	00.0102.36R
Security knob handle set left hand with pull protection PZ92	00.0102.36L

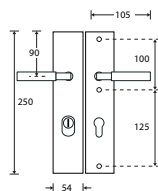


COLORTABLE

W02	brass unlacquered
W05	brass antique
W11	polished nickel (interior)
W13	satın nickel unlacquered (interior)
W14	satın nickel PVD (exterior)
W18	polished nickel / polished chrome
W19	satın nickel lacquered / satın nickel PVD
W21	polished chrome
W30	matt black



W2100.0103.20R

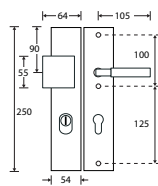


DESCRIPTION

NUMBER

Security lever handle set right hand with pull protection PZ72	00.0103.20R
Security lever handle set left hand with pull protection PZ72	00.0103.20L
Security lever handle set right hand with pull protection PZ55	00.0103.07R
Security lever handle set left hand with pull protection PZ55	00.0103.07L
Security lever handle set right hand with pull protection PZ92	00.0103.33R
Security lever handle set left hand with pull protection PZ92	00.0103.33L

W2100.0103.23R

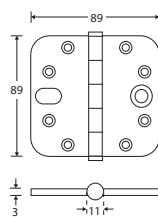


DESCRIPTION

NUMBER

Security knob handle set right hand with pull protection PZ72	00.0103.23R
Security knob handle set left hand with pull protection PZ72	00.0103.23L
Security knob handle set right hand with pull protection PZ55	00.0103.10R
Security knob handle set left hand with pull protection PZ55	00.0103.10L
Security knob handle set right hand with pull protection PZ92	00.0103.36R
Security knob handle set left hand with pull protection PZ92	00.0103.36L

W2100.4060.90

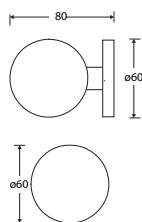


DESCRIPTION

NUMBER

Security hinge round corner flat	00.4060.90
----------------------------------	------------

W2100.4010.90



DESCRIPTION

NUMBER

Front door knob	00.4010.90
-----------------	------------

COLORTABLE

W02	brass unlacquered
W05	brass antique
W11	polished nickel (interior)
W13	satin nickel unlacquered (interior)
W14	satin nickel PVD (exterior)
W18	polished nickel / polished chrome
W19	satin nickel lacquered / satin nickel PVD
W21	polished chrome
W30	matt black

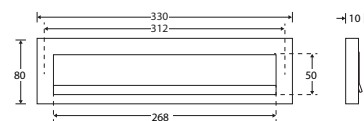


DESCRIPTION NUMBER

Letter plate rectangular

00.4090.90

W2100.4090.90

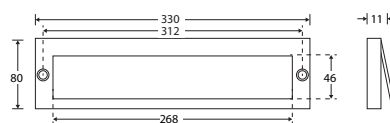


DESCRIPTION NUMBER

Draught flap rectangular with brush

00.4092.90

W2100.4092.90

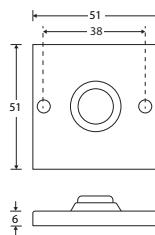


DESCRIPTION NUMBER

Doorbell square

00.4015.90

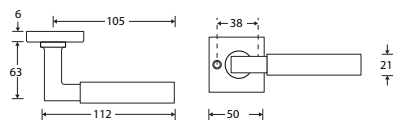
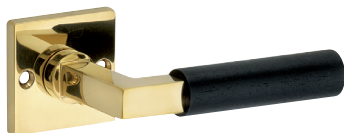
W2100.4015.90



COLORTABLE

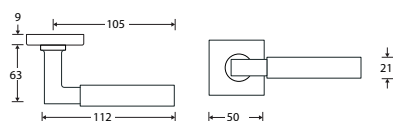
- W02 brass unacquered
- W05 brass antique
- W11 polished nickel (interior)
- W13 satin nickel unacquered (interior)
- W14 satin nickel PVD (exterior)
- W18 polished nickel / polished chrome
- W19 satin nickel lacquered / satin nickel PVD
- W21 polished chrome
- W30 matt black

W0200.0105.46



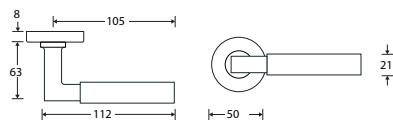
DESCRIPTION	NUMBER
Lever handle set	00.0105.46
Door handle	00.0025.45
Lever rosette	00.2426.60
Key escutcheon	00.2427.56
Euro profile escutcheon	00.2428.57
Free occupied spindle 5-8mm	00.2510.61

W1300.0106.46



DESCRIPTION	Ω	NUMBER
Lever handle set		00.0106.46
Lever handle set	with spring	00.0106.50
Door handle		00.0025.45
Lever rosette concealed		00.2429.60
Lever rosette concealed	with spring	00.2429.62
Key escutcheon concealed		00.2429.56
Euro profile escutcheon Blind		00.2429.57
Free occupied spindle 5-8mm		00.2510.61

W1100.0107.46



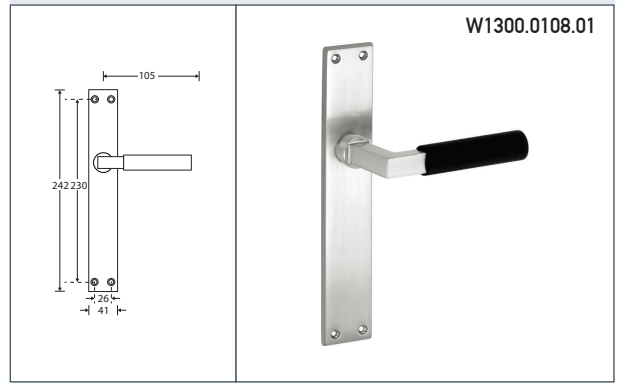
DESCRIPTION	Ω	NUMBER
Lever handle set		00.0107.46
Lever handle set	with spring	00.0107.50
Door handle		00.0025.45
Lever rosette		00.2417.60
Lever rosette	with spring	00.2417.62
Key escutcheon		00.2419.56
Euro profile escutcheon		00.2420.57
Free occupied set 5-8 mm		00.2444.61

COLORTABLE

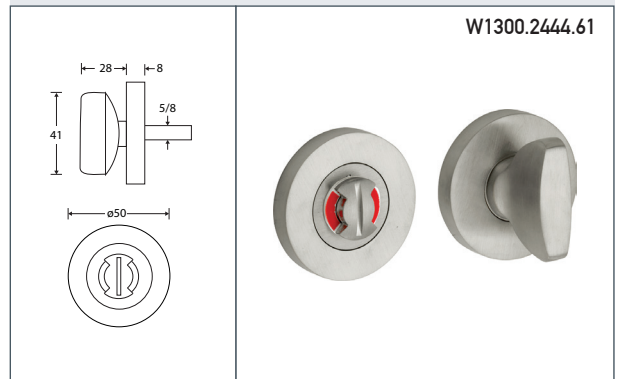
W02	brass unlacquered ebony
W05	brass antique ebony
W11	polished nickel ebony
W13	satin nickel unlacquered ebony
W21	polished chrome ebony



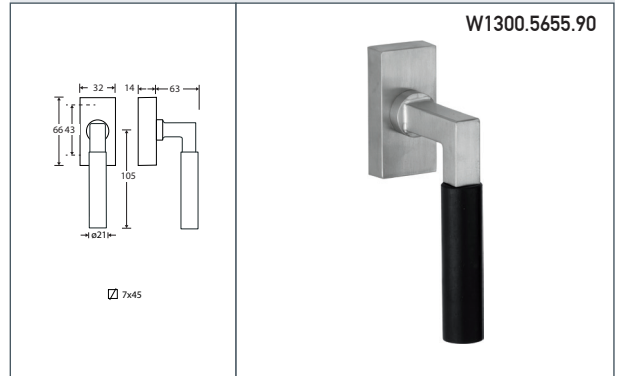
DESCRIPTION	NUMBER
Lever handle set Blind	00.0108.01
Door handle	00.0025.45
Backplate Blind	00.2450.01
Backplate KH56	00.2450.04
Backplate KH72	00.2450.12
Backplate KH92	00.2450.14
Backplate KH110	00.2450.15
Backplate PZ55	00.2450.24
Backplate PZ72	00.2450.27
Backplate PZ92	00.2450.37
Backplate PZ110	00.2450.41
Backplate F063	00.2450.67
Backplate F072	00.2450.70
Backplate F078	00.2450.72
Free occupied spindle 5-8mm	00.2510.61



DESCRIPTION	NUMBER
Free occupied set 5-8 mm	00.2444.61




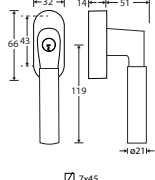
DESCRIPTION	NUMBER
TT mechanism with handle	00.5655.90




COLORTABLE


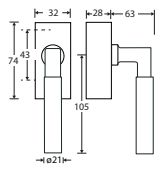
W02	brass unlacquered ebony
W05	brass antique ebony
W11	polished nickel ebony
W13	satin nickel unlacquered ebony
W21	polished chrome ebony

W1300.5555.90 

DESCRIPTION	NUMBER
Security TT window handle lockable	00.5555.90

W1300.5656.90 






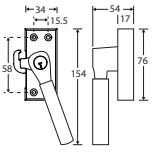
DESCRIPTION	NUMBER
Lockable security TT mechanism with handle	00.5656.90

W1300.5823.90




DESCRIPTION	NUMBER
Window lever handle, right hand, open to outside	00.5823.90
Window lever handle, left hand, open to outside	00.5824.90
Hasp for window lever handle, open to inside	00.9121.90
Shim 3mm for window handle	00.5689.90

W1300.5527.90 

DESCRIPTION	NUMBER
Security window fastener, right hand, open to outside	00.5527.90
Security window fastener, left hand, open to outside	00.5526.90
Shim 3mm for lockable window handle	00.5687.90
End catch for lockable window handle right hand, open to inside	00.9185.90
End catch for lockable window handle left hand, open to inside	00.9184.90

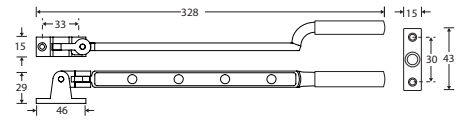
COLORTABLE

W02	brass unlacquered ebony
W05	brass antique ebony
W11	polished nickel ebony
W13	satin nickel unlacquered ebony
W21	polished chrome ebony



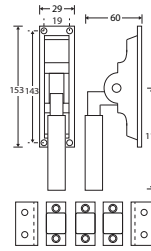
DESCRIPTION	NUMBER
Casement stay with pin	00.5539.90
Pin for casement stay	00.9187.90

W1300.5539.90



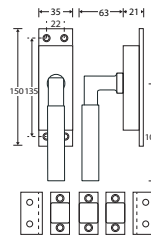
DESCRIPTION	NUMBER
Pump espagnolette complete with bars	00.4522.90
Espagnolette bar elongation set rectangular with bar	00.5835.90
Espagnolette lock, for square bar	00.9309.90

W1300.4522.90



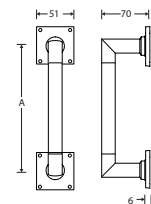
DESCRIPTION	NUMBER
Lever espagnolette complete, right hand with bars	00.5726.90
Lever espagnolette complete, left hand with bars	00.5725.90
Espagnolette bar elongation set rectangular with bar	00.5835.90
Espagnolette lock, for square bar	00.9309.90

W1300.5726.90



DESCRIPTION	A	NUMBER
Pull handle on square rosette	182 mm	00.4309.90
Pull handle on square rosette	300 mm	00.4310.90
Pull handle on square rosette	600 mm	00.4311.90

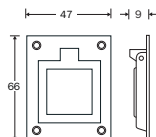
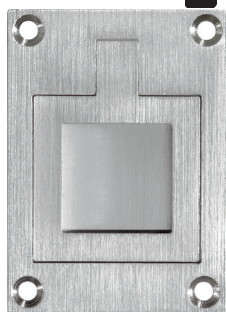
W1300.4309.90



COLORTABLE

W02	brass unlacquered ebony
W05	brass antique ebony
W11	polished nickel ebony
W13	satin nickel unlacquered ebony
W21	polished chrome ebony

W1200.6915.90

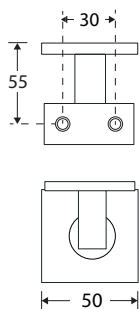
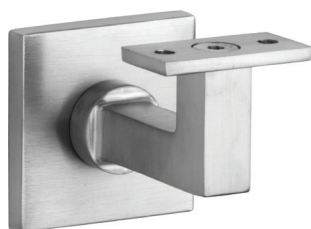


DESCRIPTION NUMBER

Hatch ring rectangular with square ring

00.6915.90

W1300.6927.90



DESCRIPTION NUMBER

Handrail bracket for flat rail, concealed M10

00.6927.90

Handrail bracket for round rail, concealed M10

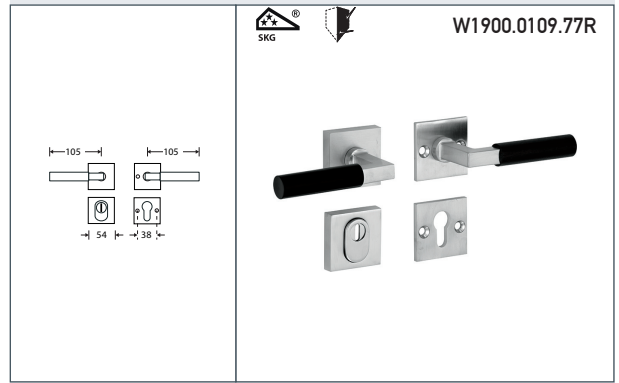
00.6926.90

COLORTABLE

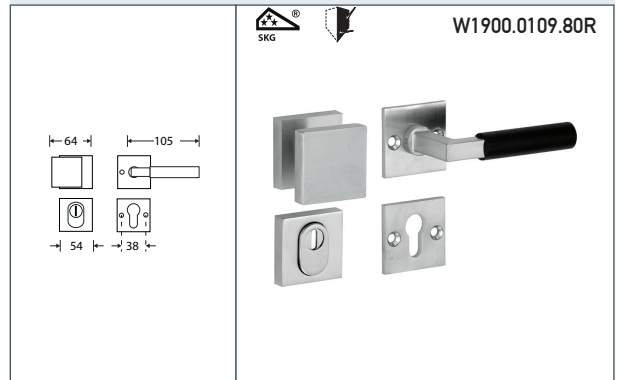
W02	brass unlacquered ebony
W05	brass antique ebony
W11	polished nickel ebony
W13	satin nickel unlacquered ebony
W21	polished chrome ebony



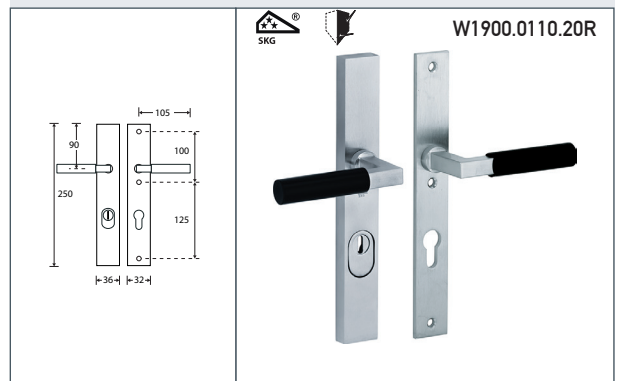
DESCRIPTION	NUMBER
Security lever handle set right hand with pull protection	00.0109.77R
Security lever handle set left hand with pull protection	00.0109.77L



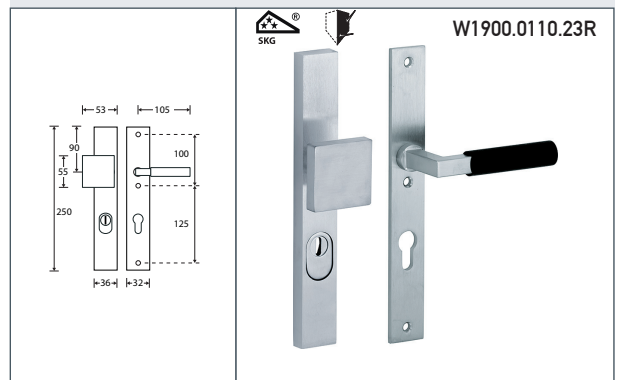
DESCRIPTION	NUMBER
Security knob handle set right hand with pull protection	00.0109.80R
Security knob handle set left hand with pull protection	00.0109.80L



DESCRIPTION	NUMBER
Security lever handle set right hand with pull protection PZ72	00.0110.20R
Security lever handle set left hand with pull protection PZ72	00.0110.20L
Security lever handle set right hand with pull protection PZ55	00.0110.07R
Security lever handle set left hand with pull protection PZ55	00.0110.07L
Security lever handle set right hand with pull protection PZ92	00.0110.33R
Security lever handle set left hand with pull protection PZ92	00.0110.33L





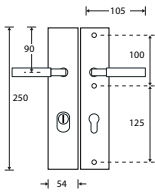
DESCRIPTION	NUMBER
Security knob handle set right hand with pull protection PZ72	00.0110.23R
Security knob handle set left hand with pull protection PZ72	00.0110.23L
Security knob handle set right hand with pull protection PZ55	00.0110.10R
Security knob handle set left hand with pull protection PZ55	00.0110.10L
Security knob handle set right hand with pull protection PZ92	00.0110.36R
Security knob handle set left hand with pull protection PZ92	00.0110.36L




COLORTABLE


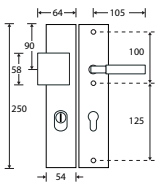
W02	brass unlacquered ebony / matt black
W05	brass antique ebony / matt black
W11	polished nickel ebony (interior)
W13	satın nickel unlacquered ebony (interior)
W14	satın nickel PVD matt black (exterior)
W18	polished nickel ebony / polished chrome matt black
W19	satın nickel lacquered ebony / satın nickel PVD matt black
W21	polished chrome ebony / matt black

W1900.0111.20R 






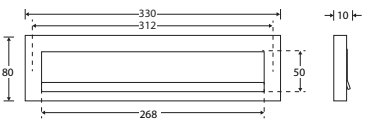
DESCRIPTION	NUMBER
Security lever handle set right hand with pull protection PZ72	00.0111.20R
Security lever handle set left hand with pull protection PZ72	00.0111.20L
Security lever handle set right hand with pull protection PZ55	00.0111.07R
Security lever handle set left hand with pull protection PZ55	00.0111.07L
Security lever handle set right hand with pull protection PZ92	00.0111.33R
Security lever handle set left hand with pull protection PZ92	00.0111.33L

W1900.0111.23R 


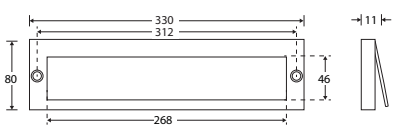
DESCRIPTION	NUMBER
Security knob handle set right hand with pull protection PZ72	00.0111.23R
Security knob handle set left hand with pull protection PZ72	00.0111.23L
Security knob handle set right hand with pull protection PZ55	00.0111.10R
Security knob handle set left hand with pull protection PZ55	00.0111.10L
Security knob handle set right hand with pull protection PZ92	00.0111.36R
Security knob handle set left hand with pull protection PZ92	00.0111.36L

W1400.4090.90 

DESCRIPTION	NUMBER
Letter plate rectangular	00.4090.90

W1300.4092.90

DESCRIPTION	NUMBER
Draught flap rectangular with brush	00.4092.90

COLORTABLE

W02	brass unlacquered ebony / matt black
W05	brass antique ebony / matt black
W11	polished nickel ebony (interior)
W13	satin nickel unlacquered ebony (interior)
W14	satin nickel PVD matt black (exterior)
W18	polished nickel ebony / polished chrome matt black
W19	satin nickel lacquered ebony / satin nickel PVD matt black
W21	polished chrome ebony / matt black

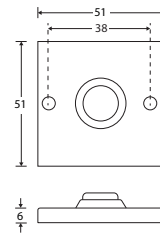


DESCRIPTION

Doorbell square

NUMBER

00.4015.90



W1400.4015.90

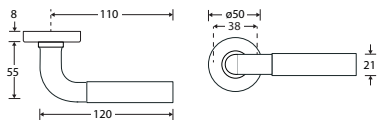


COLORTABLE

W02	brass unlacquered ebony / matt black
W05	brass antique ebony / matt black
W11	<i>polished nickel ebony (interior)</i>
W13	<i>satin nickel unlacquered ebony (interior)</i>
W14	<i>satin nickel PVD matt black (exterior)</i>
W18	polished nickel ebony / polished chrome matt black
W19	satin nickel lacquered ebony / satin nickel PVD matt black
W21	polished chrome ebony / matt black

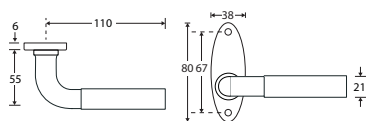


W1300.0113.46



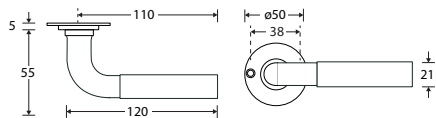
DESCRIPTION	Ω	NUMBER
Lever handle set		00.0113.46
Lever handle set	with spring	00.0113.50
Door handle		00.0113.45
Lever rosette		00.2417.60
Lever rosette	with spring	00.2417.62
Key escutcheon		00.2419.56
Euro profile escutcheon		00.2420.57
Free occupied spindle 5-8mm		00.2442.61

W1100.0197.46



DESCRIPTION	NUMBER
Lever handle set	00.0197.46
Door handle	00.0113.45
Patent rosette	00.2432.60

W0500.0250.46



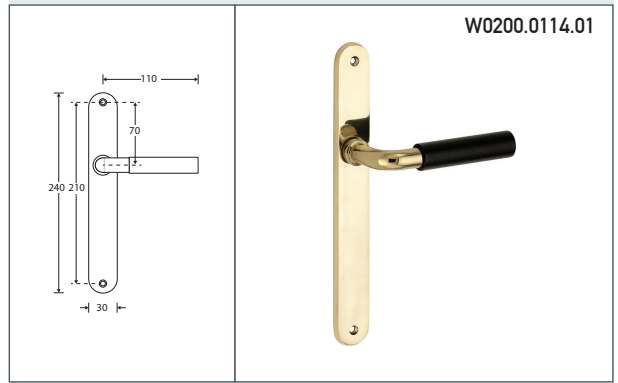
DESCRIPTION	NUMBER
Lever handle set	00.0250.46
Door handle	00.0113.45
Lever rosette 50mm	00.2514.60
Key escutcheon 50mm	00.2524.55
Euro profile escutcheon 50mm	00.2525.57
Free occupied spindle 5-8mm	00.2442.61

COLORTABLE

W02	brass unlacquered ebony
W05	brass antique ebony
W11	polished nickel ebony
W13	satin nickel unlacquered ebony

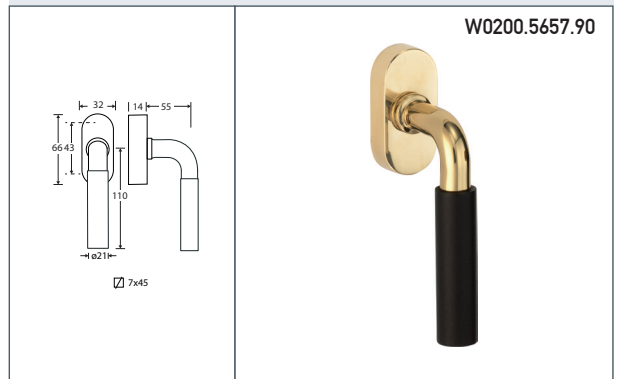


DESCRIPTION	NUMBER
Lever handle set	00.0114.01
Door handle	00.0113.45
Backplate Blind	00.2456.01
Backplate WL56	00.2456.04
Backplate WL72	00.2456.12
Backplate WL92	00.2456.14
Backplate WL110	00.2456.15
Backplate PZ55	00.2456.24
Backplate PZ72	00.2456.27
Backplate PZ92	00.2456.37
Backplate PZ110	00.2456.41
Backplate F063	00.2456.67
Backplate F072	00.2456.70
Backplate F078	00.2456.72
Free occupied spindle 5-8mm	00.2442.61



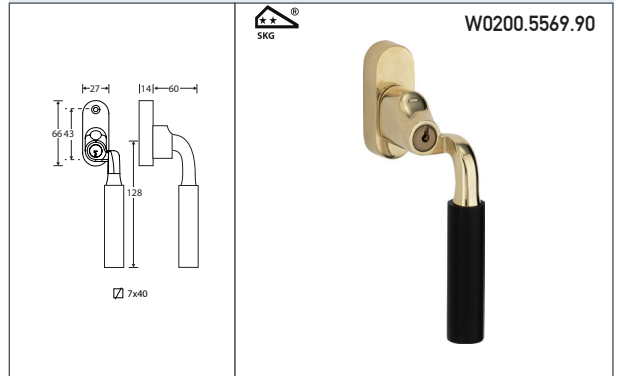
W0200.0114.01

DESCRIPTION	NUMBER
TT mechanism with handle	00.5657.90



W0200.5657.90

DESCRIPTION	NUMBER
Security TT window handle lockable right hand	00.5569.90
Security TT window handle lockable left hand	00.5568.90



W0200.5569.90

COLORTABLE

W02	brass unlacquered ebony
W05	brass antique ebony
W11	polished nickel ebony
W13	satın nickel unlacquered ebony

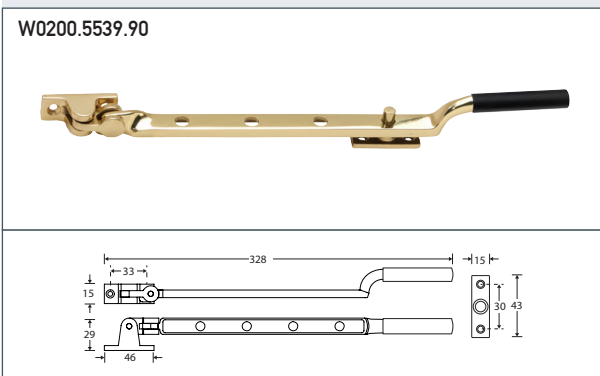




DESCRIPTION	NUMBER
Security TT window handle lockable	00.5658.90



DESCRIPTION	NUMBER
Window lever handle, right hand, open to outside	00.5511.90
Window lever handle, left hand, open to outside	00.5510.90
Hasp for window lever handle, open to inside	00.9121.90
Shim 3mm for lockable window handle	00.5687.90



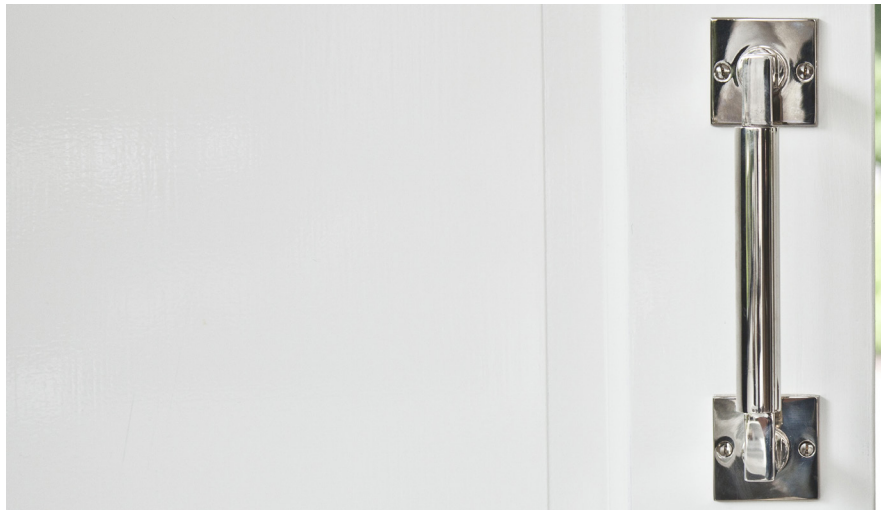
DESCRIPTION	NUMBER
Casement stay with pin	00.5539.90
Pin for casement stay	00.9187.90



DESCRIPTION	NUMBER
Pump espagnolette complete with bars	00.4513.90
Espagnolette bar elongation set oval with bar	00.5834.90
Espagnolette lock, for square bar	00.9309.90

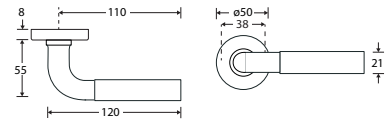
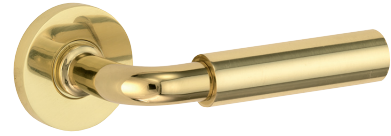
COLORTABLE

W02	brass unlacquered ebony
W05	brass antique ebony
W11	polished nickel ebony
W13	satin nickel unlacquered ebony



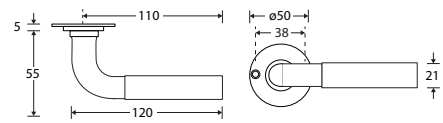
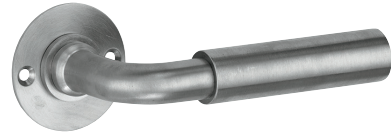
DESCRIPTION	Ω	NUMBER
Lever handle set		00.0198.46
Lever handle set	with spring	00.0198.50
Door handle		00.0210.45
Lever rosette		00.2417.60
Lever rosette	with spring	00.2417.62
Key escutcheon		00.2419.56
Euro profile escutcheon		00.2420.57
Free occupied spindle 5-8mm		00.2443.61

W0200.0198.46



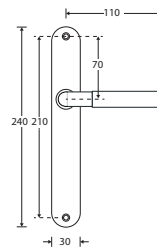
DESCRIPTION	NUMBER
Lever handle set	00.0199.46
Door handle	00.0210.45
Lever rosette 50mm	00.2514.60
Key escutcheon 50mm	00.2524.55
Euro profile escutcheon 50mm	00.2525.57
Free occupied spindle 5-8mm	00.2443.61

W1300.0199.46



DESCRIPTION	NUMBER
Lever handle set Blind	00.0211.01
Door handle	00.0210.45
Backplate Blind	00.2456.01
Backplate WL56	00.2456.04
Backplate WL72	00.2456.12
Backplate WL92	00.2456.14
Backplate WL110	00.2456.15
Backplate PZ55	00.2456.24
Backplate PZ72	00.2456.27
Backplate PZ92	00.2456.37
Backplate PZ110	00.2456.41
Backplate F063	00.2456.67
Backplate F072	00.2456.70
Backplate F078	00.2456.72
Free occupied spindle 5-8mm	00.2443.61

W1100.0211.01

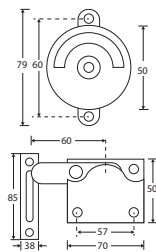


COLORTABLE

W02	brass unlacquered
W05	brass antique
W11	polished nickel
W13	satın nickel unlacquered



W1100.2447.90

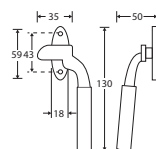


DESCRIPTION

NUMBER

Free occupied throwover catch with elbow, complete red / green	00.2447.90
Free occupied throwover catch flat, complete red / green	00.2446.90
Enamel disk vacant / occupied throwover catch vacant / occupied	W0000.9149.90

W1100.5509.90

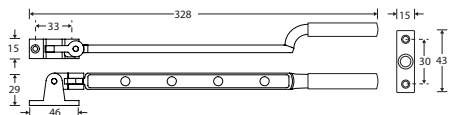


DESCRIPTION

NUMBER

Window lever handle, right hand, open to outside	00.5509.90
Window lever handle, left hand, open to outside	00.5508.90
Hasp for window lever handle, open to inside	00.9121.90
Shim 3mm for window handle	00.5689.90

W1100.5538.90

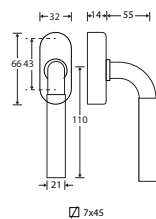


DESCRIPTION

NUMBER

Casement stay with pin	00.5538.90
Pin for casement stay	00.9187.90

W1100.5694.90



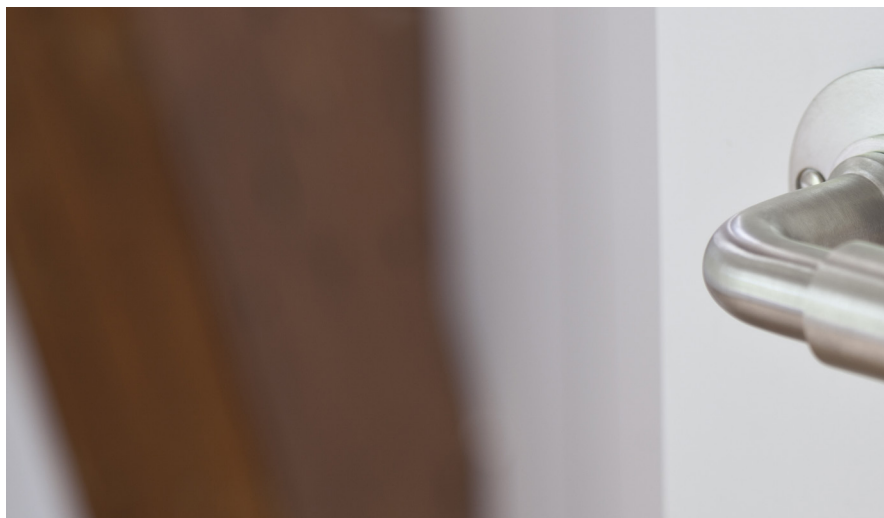
DESCRIPTION

NUMBER

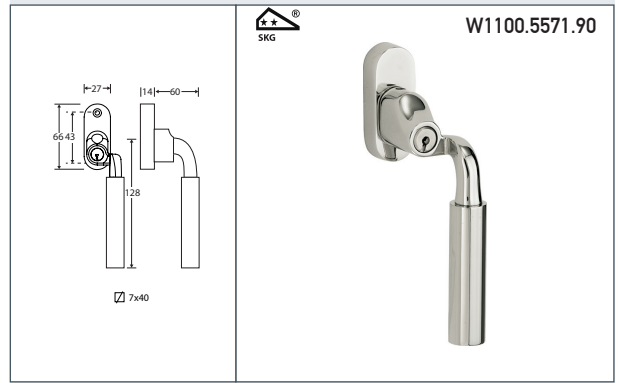
TT mechanism with handle	00.5694.90
--------------------------	------------

COLORTABLE

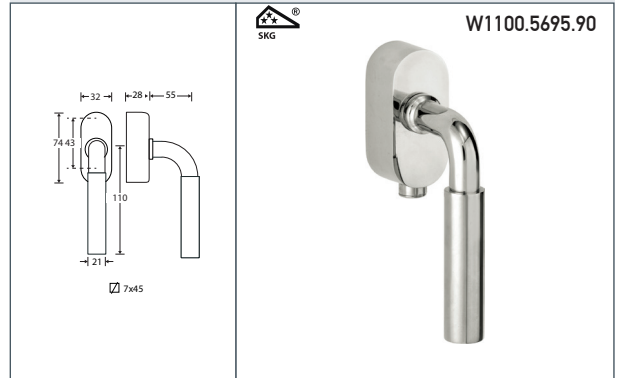
W02	brass unlacquered
W05	brass antique
W11	polished nickel
W13	satin nickel unlacquered



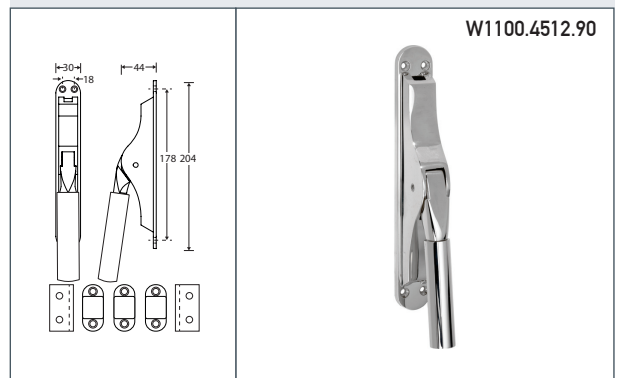
DESCRIPTION	NUMBER
Security TT window handle lockable right hand	00.5571.90
Security TT window handle lockable left hand	00.5570.90



DESCRIPTION	NUMBER
Lockable security TT mechanism with handle	00.5695.90

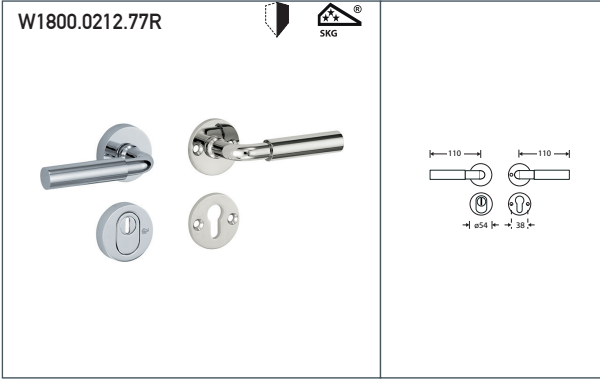


DESCRIPTION	NUMBER
Pump espagnolette complete with bars	00.4512.90
Espagnolette bar elongation set oval with bar	00.5835.90
Espagnolette lock, for square bar	00.9309.90

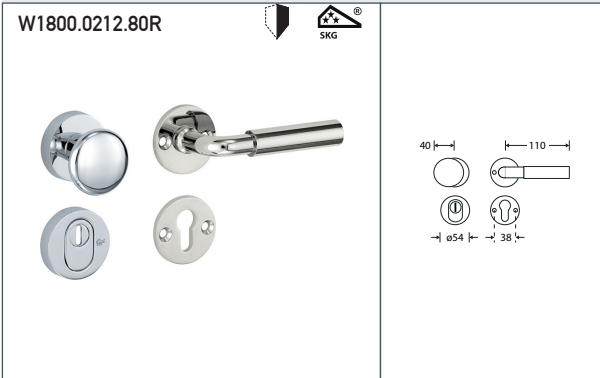


COLORTABLE

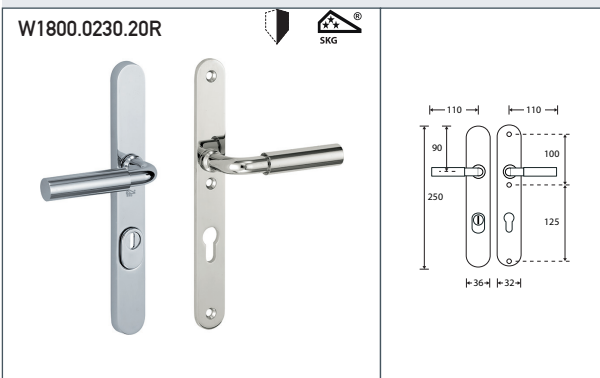
W02	brass unlacquered
W05	brass antique
W11	polished nickel
W13	satın nickel unlacquered



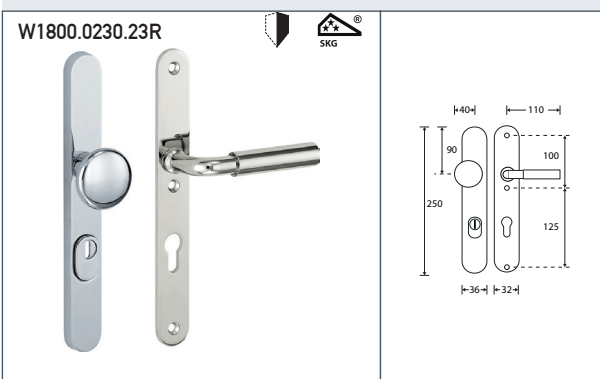
DESCRIPTION	NUMBER
Security lever handle set right hand with pull protection	00.0212.77R
Security lever handle set left hand with pull protection	00.0212.77L



DESCRIPTION	NUMBER
Security knob handle set right hand with pull protection	00.0212.80R
Security knob handle set left hand with pull protection	00.0212.80L



DESCRIPTION	NUMBER
Security lever handle set right hand with pull protection PZ72	00.0230.20R
Security lever handle set left hand with pull protection PZ72	00.0230.20L
Security lever handle set right hand with pull protection PZ55	00.0230.07R
Security lever handle set left hand with pull protection PZ55	00.0230.07L
Security lever handle set right hand with pull protection PZ92	00.0230.33R
Security lever handle set left hand with pull protection PZ92	00.0230.33L



DESCRIPTION	NUMBER
Security knob handle set right hand with pull protection PZ72	00.0230.23R
Security knob handle set left hand with pull protection PZ72	00.0230.23L
Security knob handle set right hand with pull protection PZ55	00.0230.10R
Security knob handle set left hand with pull protection PZ55	00.0230.10L
Security knob handle set right hand with pull protection PZ92	00.0230.36R
Security knob handle set left hand with pull protection PZ92	00.0230.36L

COLORTABLE

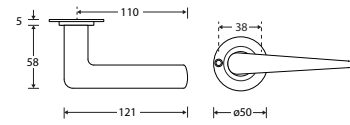
W02	brass unlacquered
W05	brass antique
W18	polished nickel / polished chrome
W19	satin nickel lacquered / satin nickel PVD



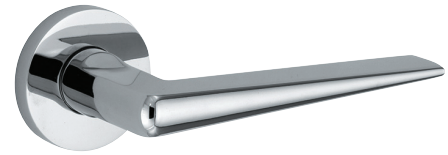
DESCRIPTION	NUMBER
Lever handle set	00.0213.46
Door handle	00.0012.45
Lever rosette 50mm	00.2514.60
Key escutcheon 50mm	00.2524.55
Euro profile escutcheon 50mm	00.2525.57
Free occupied spindle 5-8mm	00.2443.61



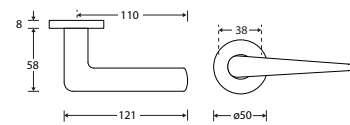
W1300.0213.46



DESCRIPTION	Ω	NUMBER
Lever handle set		00.0214.46
Lever handle set	with spring	00.0214.50
Door handle		00.0012.45
Lever rosette		00.2417.60
Lever rosette	with spring	00.2417.62
Key escutcheon		00.2419.56
Euro profile escutcheon		00.2420.57
Free occupied spindle 5-8mm		00.2443.61



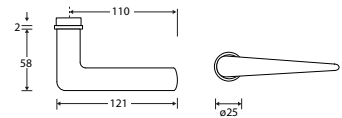
W2100.0214.46



DESCRIPTION	NUMBER
Lever handle set	00.0215.46
Door handle	00.0012.45
Lever rosette	00.2521.60
Key escutcheon	00.2522.55
Euro profile escutcheon	00.2528.57
Free occupied spindle 5-8mm	00.2443.61



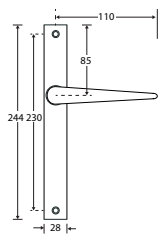
W3000.0215.46



COLORTABLE

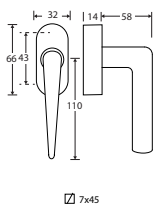
W11	polished nickel
W13	satin nickel unlacquered
W21	polished chrome
W30	matt black

W1100.0216.01



DESCRIPTION	NUMBER
Lever handle set Blind	00.0216.01
Door handle	00.0012.45
Backplate Blind	00.2451.01
Backplate KH56	00.2451.04
Backplate KH72	00.2451.12
Backplate KH92	00.2451.14
Backplate KH110	00.2451.15
Backplate PZ55	00.2451.24
Backplate PZ72	00.2451.27
Backplate PZ92	00.2451.37
Backplate PZ110	00.2451.41
Backplate F063	00.2451.67
Backplate F072	00.2451.70
Backplate F078	00.2451.72
Free occupied spindle 5-8mm	00.2443.61

W1100.5696.90



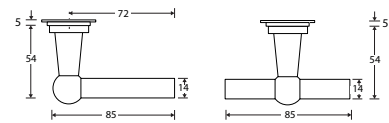
DESCRIPTION	NUMBER
TT mechanism with handle	00.5696.90

COLORTABLE

W11	polished nickel
W13	satin nickel unlacquered
W21	polished chrome
W30	matt black

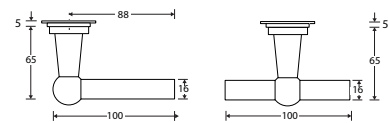
DESCRIPTION	NUMBER
Lever handle set 85mm	00.0217.46
Hole part	00.0066.44
Hole part T	00.0095.44
Lever rosette 40mm	00.2513.60
Key escutcheon 40mm	00.2523.55
Euro profile escutcheon 50mm	00.2525.57
Free occupied spindle 5-8mm	00.2526.61

W3000.0217.46



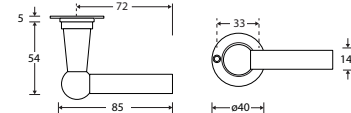
DESCRIPTION	NUMBER
Lever handle set 100mm	00.0218.46
Hole part	00.0069.44
Hole part T	00.0096.44
Lever rosette 50mm	00.2514.60
Key escutcheon 50mm	00.2524.55
Euro profile escutcheon 50mm	00.2525.57
Free occupied spindle 5-8mm	00.2526.61

W0200.0218.46



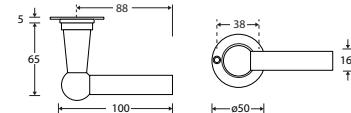
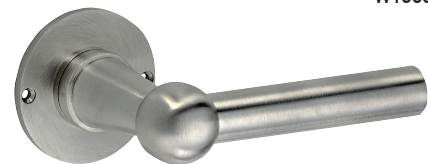
DESCRIPTION	NUMBER
Lever handle set 85 mm	00.0115.46
Door handle	00.0066.45
Lever rosette 40mm	00.2513.60
Key escutcheon 40mm	00.2523.55
Euro profile escutcheon 50mm	00.2525.57
Free occupied spindle 5-8mm	00.2526.61

W1100.0115.46



DESCRIPTION	NUMBER
Lever handle set 100 mm	00.0116.46
Door handle	00.0069.45
Lever rosette 50mm	00.2514.60
Key escutcheon 50mm	00.2524.55
Euro profile escutcheon 50mm	00.2525.57
Free occupied spindle 5-8mm	00.2526.61

W1300.0116.46

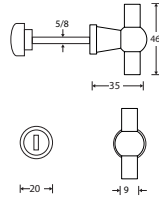
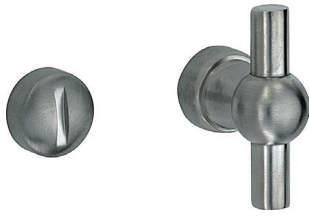


COLORTABLE

W02	brass unlacquered
W05	brass antique
W11	polished nickel
W13	satin nickel unlacquered
W30	matt black



W1300.2526.61



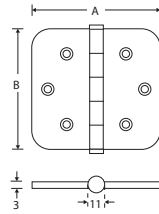
DESCRIPTION

Free occupied spindle 5-8mm

NUMBER

00.2526.61

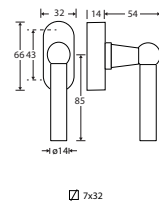
W1300.4500.90



DESCRIPTION

DESCRIPTION	A	B	NUMBER
Ball bearing hinge round corner flat	76 mm	76 mm	00.4500.90
Ball bearing hinge round corner flat	89 mm	89 mm	00.4501.90
Ball bearing hinge straight corner flat	76 mm	76 mm	00.4561.90
Ball bearing hinge straight corner flat	89 mm	89 mm	00.4562.90

W1300.5623.90



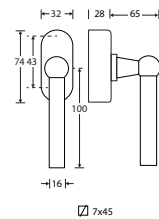
DESCRIPTION

TT mechanism with handle

NUMBER

00.5623.90

W1300.5698.90



DESCRIPTION

Lockable security TT mechanism with handle

NUMBER

00.5698.90

COLORTABLE

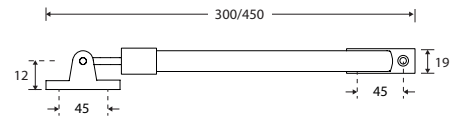
W02	brass unlacquered
W05	brass antique
W11	polished nickel
W13	satin nickel unlacquered
W30	matt black



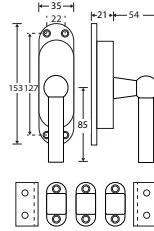
DESCRIPTION	NUMBER
Telescopic casement stay	00.5542.90



W1300.5542.90

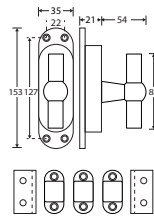


DESCRIPTION	NUMBER
Lever espagnolette complete, right hand with bars	00.5660.90
Lever espagnolette complete, left hand with bars	00.5659.90
Espagnolette bar elongation set oval with bar	00.5834.90
Espagnolette lock, for square bar	00.9309.90



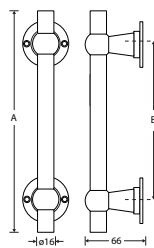
W1300.5660.90

DESCRIPTION	NUMBER
Lever espagnolette T complete, with bars	00.5662.90
Espagnolette bar elongation set oval with bar	00.5834.90
Espagnolette lock, for square bar	00.9309.90



W1300.5662.90

DESCRIPTION	A	B	NUMBER
Pull handle	300 mm	210 mm	00.4351.90
Pull handle	600 mm	480 mm	00.4352.90



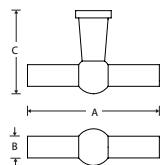
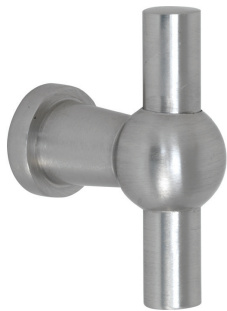
W1300.4351.90



COLORTABLE

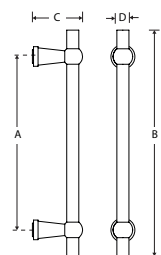
W02	brass unlacquered
W05	brass antique
W11	polished nickel
W13	satin nickel unlacquered
W30	matt black

W1300.8000.90



DESCRIPTION	A	B	C	NUMBER
Furniture knob	47 mm	9 mm	35 mm	00.8000.90
Furniture knob	58 mm	10 mm	40 mm	00.8001.90

W1300.8034.90



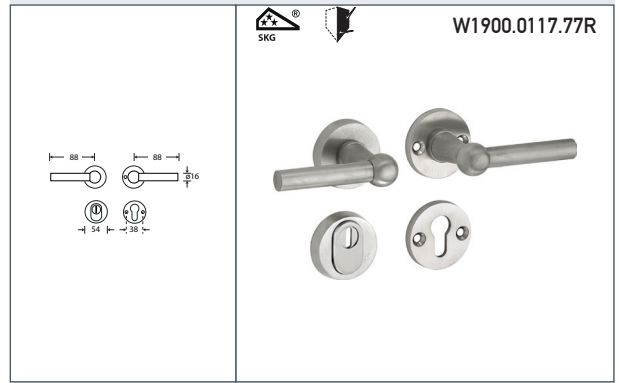
DESCRIPTION	A	B	C	D	NUMBER
Furniture handle	128 mm	174 mm	35 mm	9 mm	00.8034.90
Furniture handle	160 mm	240 mm	40 mm	10 mm	00.8035.90
Furniture handle	192 mm	272 mm	40 mm	10 mm	00.8036.90
Furniture handle	224 mm	304 mm	40 mm	10 mm	00.8037.90

COLORTABLE

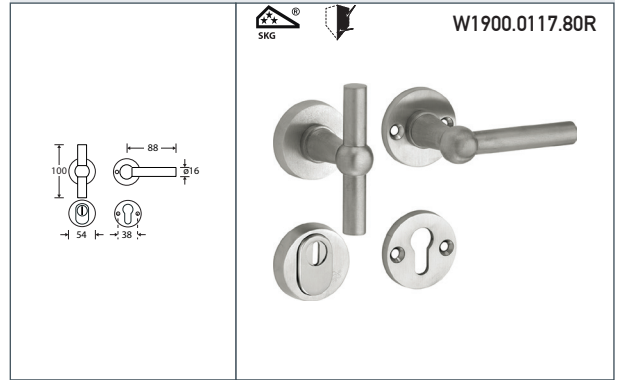
- W02 brass unlacquered
- W05 brass antique
- W11 polished nickel
- W13 satin nickel unlacquered
- W30 matt black



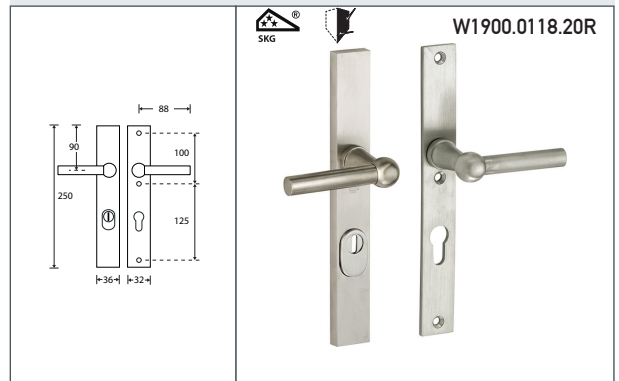
DESCRIPTION	NUMBER
Security lever handle set right hand with pull protection	00.0117.77R
Security lever handle set left hand with pull protection	00.0117.77L



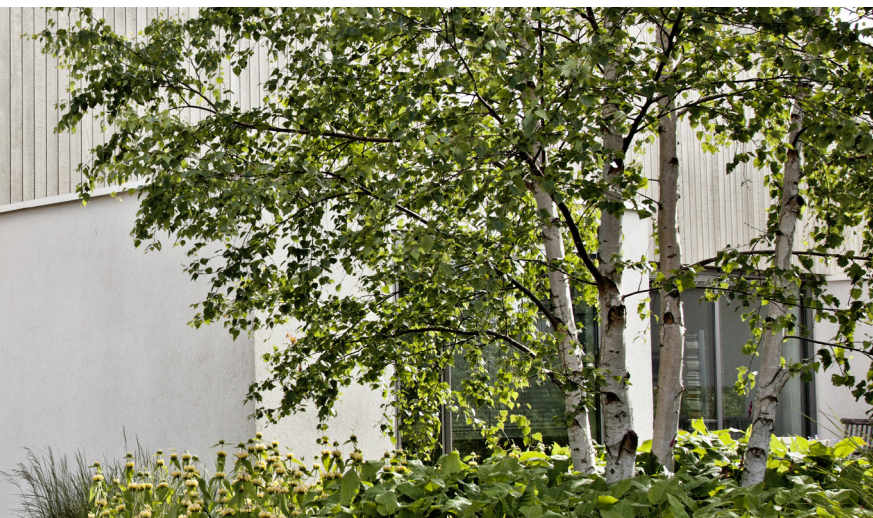
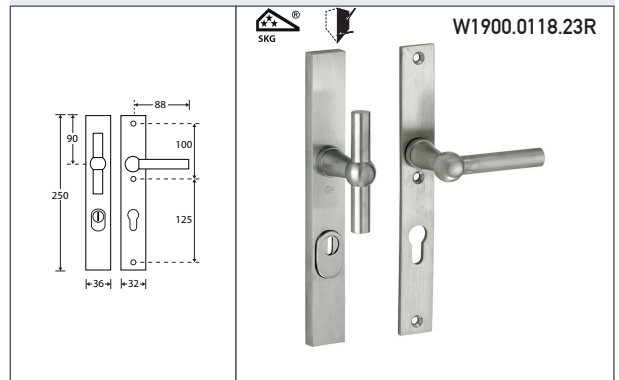
DESCRIPTION	NUMBER
Security knob handle set right hand with pull protection	00.0117.80R
Security knob handle set left hand with pull protection	00.0117.80L



DESCRIPTION	NUMBER
Security lever handle set right hand with pull protection PZ72	00.0118.20R
Security lever handle set left hand with pull protection PZ72	00.0118.20L
Security lever handle set right hand with pull protection PZ55	00.0118.07R
Security lever handle set left hand with pull protection PZ55	00.0118.07L
Security lever handle set right hand with pull protection PZ92	00.0118.33R
Security lever handle set left hand with pull protection PZ92	00.0118.33L

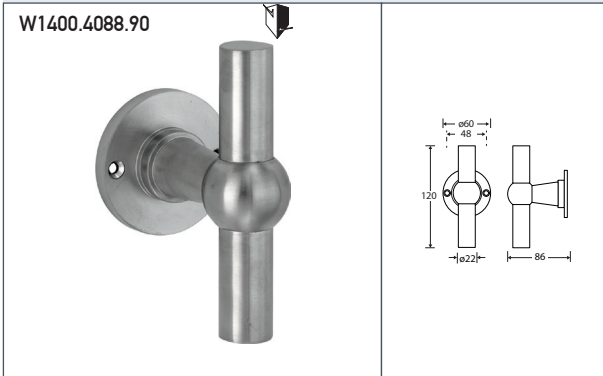


DESCRIPTION	NUMBER
Security knob handle set right hand with pull protection PZ72	00.0118.23R
Security knob handle set left hand with pull protection PZ72	00.0118.23L
Security knob handle set right hand with pull protection PZ55	00.0118.10R
Security knob handle set left hand with pull protection PZ55	00.0118.10L
Security knob handle set right hand with pull protection PZ92	00.0118.36R
Security knob handle set left hand with pull protection PZ92	00.0118.36L

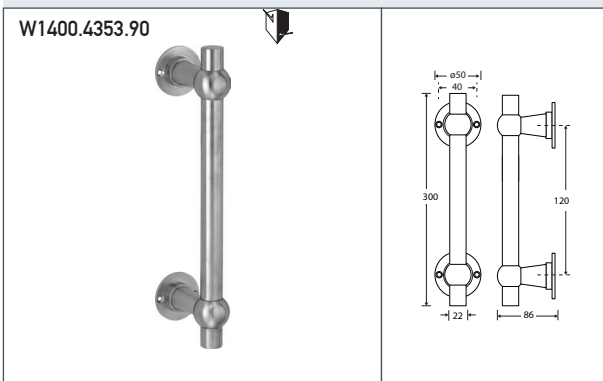


COLORTABLE

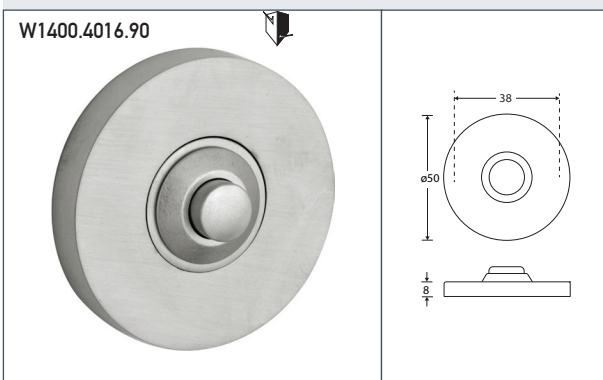
W02	brass unacquered
W05	brass antique
W11	polished nickel (interior)
W13	satın nickel unacquered (interior)
W14	satın nickel PVD (exterior)
W18	polished nickel / polished chrome
W19	satın nickel lacquered / satın nickel PVD
W21	polished chrome (exterior)
W30	matt black



DESCRIPTION	NUMBER
Front door knob	00.4088.90



DESCRIPTION	NUMBER
Pull handle	00.4353.90



DESCRIPTION	NUMBER
Doorbell round	00.4016.90

COLORTABLE

W02	brass unlacquered
W05	brass antique
W11	polished nickel (interior)
W13	satin nickel unlacquered (interior)
W14	satin nickel PVD (exterior)
W18	polished nickel / polished chrome
W19	satin nickel lacquered / satin nickel PVD
W21	polished chrome (exterior)
W30	matt black



DISTINGUISHED
Elegancy



Mi Satori

TOUCH | FEEL | KNOW

AUTHENTIC

The Roaring Twenties were followed by a brief period of calm, accompanied by a new perspective on architecture. A desire for timeless designs commenced.

Traditional style features were no longer considered paramount. A broader vision developed, due in part to the rapid technological developments taking place. The emphasis in previous eras had been on following the laws and principles of the prevailing style. Now people were beginning to look to the future, gradually feeling a growing desire for timeless designs.

The originality of these designs is reflected in the Authentic collection, with models like the Half Sable, Linea, Dudok and Banana. Each and every one is an authentic model nearly a century old. Their stunning simplicity allows them to be used in dwellings designed in a contemporary style as well.

The Mi Satori Authentic collection offers a wide range of products. From front door to attic window, from door handle to garden gate latch, this product line offers authentic models for every room in the house. The timeless designs of the Authentic collection have the power to emphasise the unique features of any architectural style and have the ability to link them to the home's interior.

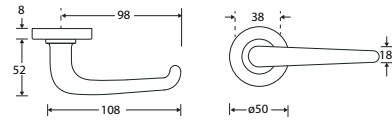


Mi Satori

TOUCH | FEEL | KNOW

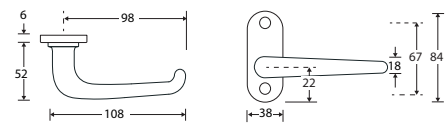
DESCRIPTION	Ω	NUMBER
Lever handle set		00.0120.46
Lever handle set	with spring	00.0120.50
Door handle		00.0003.45
Lever rosette		00.2417.60
Lever rosette	with spring	00.2417.62
Key escutcheon		00.2419.56
Euro profile escutcheon		00.2420.57
Free occupied set 5-8 mm		00.2444.61

W1100.0120.46



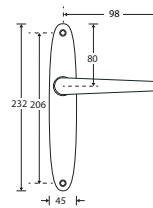
DESCRIPTION	NUMBER
Lever handle set	00.0121.46
Door handle	00.0003.45
Patent rosette	00.2433.60
Key escutcheon	00.2434.55
Euro profile escutcheon	00.2435.57

W2100.0121.46



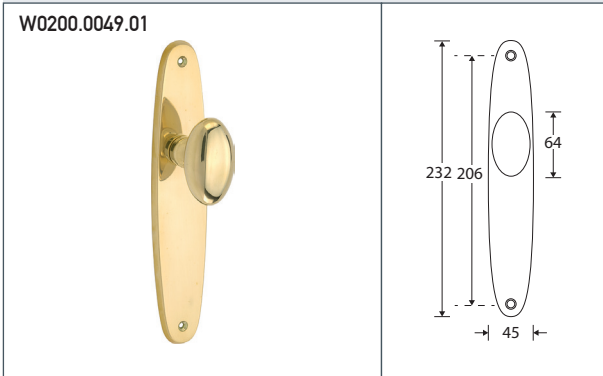
DESCRIPTION	NUMBER
Lever handle set Blind	00.0122.01
Door handle	00.0003.45
Backplate Blind	00.2530.01
Backplate KH56	00.2530.04
Backplate KH72	00.2530.12
Backplate KH92	00.2530.14
Backplate PZ55	00.2530.24
Backplate PZ72	00.2530.27
Backplate PZ92	00.2530.37
Backplate F063	00.2530.67
Backplate F072	00.2530.70
Backplate F078	00.2530.72
Free occupied spindle 5-8mm	00.2442.61

W0200.0122.01



COLORTABLE

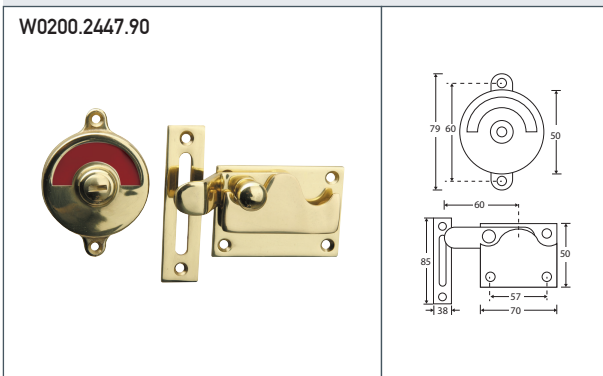
W01	brass lacquered
W02	brass unlacquered
W11	polished nickel
W21	polished chrome
W30	matt black



DESCRIPTION	NUMBER
Knob handle set Blind	00.0049.01
Knob handle set	00.0042.45
Backplate Blind	00.2530.01
Backplate KH56	00.2530.04
Backplate KH72	00.2530.12
Backplate KH92	00.2530.14
Backplate PZ55	00.2530.24
Backplate PZ72	00.2530.27
Backplate PZ92	00.2530.37
Backplate F063	00.2530.67
Backplate F072	00.2530.70
Backplate F078	00.2530.72
Free occupied spindle 5-8mm	00.2442.61



DESCRIPTION	NUMBER
Free occupied spindle 5-8mm	00.2442.61



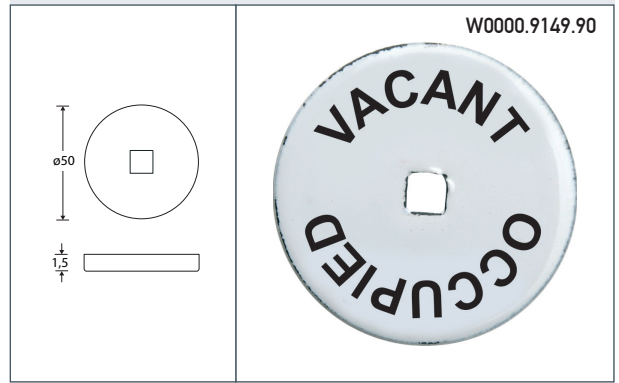
DESCRIPTION	NUMBER
Free occupied throwover catch with elbow, complete red / green	00.2447.90
Free occupied throwover catch flat, complete red / green	00.2446.90
Enamel disk free / ocupied throwover catch vacant / occupied	W0000.9149.90

COLORTABLE

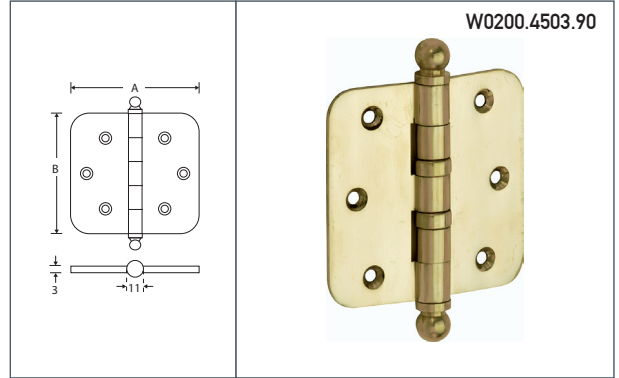
W01	brass lacquered
W02	brass unlacquered
W11	polished nickel
W21	polished chrome
W30	matt black



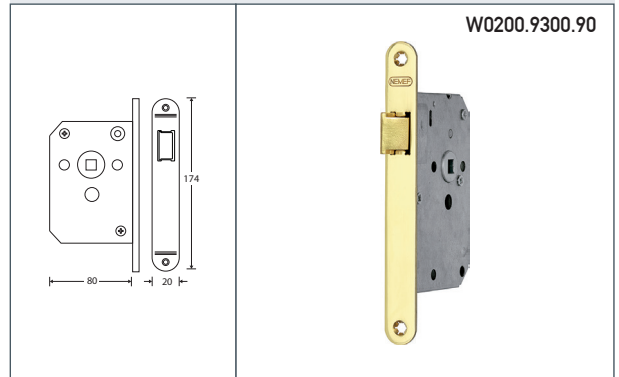
DESCRIPTION	NUMBER
Enamel disk vacant / occupied throwover catch vacant / occupied	W0000.9149.90
Enamel disk vacant / occupied throwover catch vrij / bezet	W0000.9026.90
Enamel disk vacant / occupied throwover catch libre / occupe	W0000.9027.90
Enamel disk vacant / occupied throwover catch frei / besetzt	W0000.9107.90



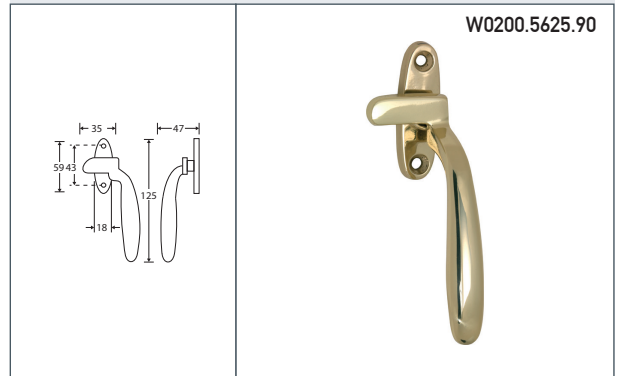
DESCRIPTION	A	B	NUMBER
Ball bearing hinge round corner ball	76 mm	76 mm	00.4503.90
Ball bearing hinge round corner ball	89 mm	89 mm	00.4504.90
Ball bearing hinge straight corner ball	76 mm	76 mm	00.4563.90
Ball bearing hinge straight corner ball	89 mm	89 mm	00.4564.90



DESCRIPTION	NUMBER
Mortice latch lock	00.9300.90
Mortice cabinet lock KH	00.9301.55
Mortice cabinet lock PZ	00.9302.57
Mortice toilet lock 63-8mm	00.9303.67
Mortice sash lock KH56	00.9304.55
Mortice sash lock PZ55	00.9305.57



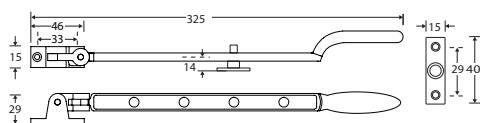
DESCRIPTION	NUMBER
Window lever handle, right hand, open to outside	00.5625.90
Window lever handle, left hand, open to outside	00.5624.90
Hasp for window lever handle, open to inside	00.9121.90
Shim 3mm tbv window handle	00.5688.90



COLORTABLE

W01	brass lacquered
W02	brass unlacquered
W11	polished nickel
W21	polished chrome
W30	matt black

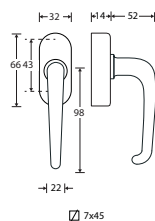
W0200.5534.90



DESCRIPTION NUMBER

Casement stay with pin 00.5534.90
Pin for casement stay 00.9187.90

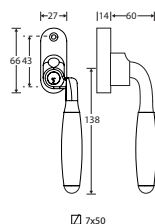
W0200.5669.90



DESCRIPTION NUMBER

TT mechanism with handle 00.5669.90

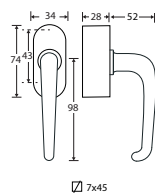
W0200.5701.90



DESCRIPTION NUMBER

Security TT window handle lockable right hand 00.5701.90
Security TT window handle lockable left hand 00.5700.90

W0200.5670.90



DESCRIPTION NUMBER

Lockable security TT mechanism with handle 00.5670.90

COLORTABLE

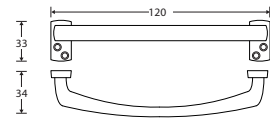
- W01 brass lacquered
- W02 brass unlacquered
- W11 polished nickel
- W21 polished chrome
- W30 matt black



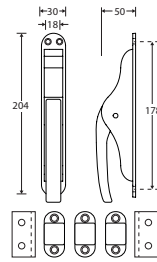
DESCRIPTION	NUMBER
Sash window handle	00.4329.90



W0200.4329.90

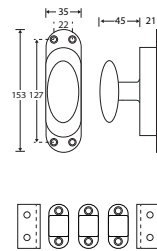


DESCRIPTION	NUMBER
Pump espagnolette complete, with bars	00.4509.90
Espagnolette bar elongation set oval with bar	00.5834.90
Espagnolette lock, for square bar	00.9309.90



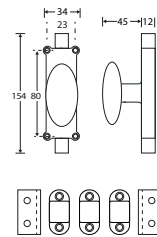
W0200.4509.90

DESCRIPTION	NUMBER
Lever espagnolette complete, with bars	00.5589.90
Espagnolette bar elongation set oval with bar	00.5834.90
Espagnolette lock, for square bar	00.9309.90



W0200.5589.90

DESCRIPTION	NUMBER
Lever espagnolette complete with halfround bars	00.5838.90



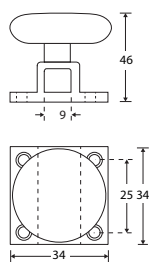
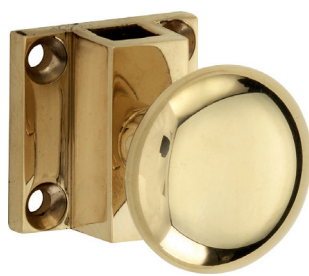
W0200.5838.90



COLORTABLE

W01	brass lacquered
W02	brass unlacquered
W11	polished nickel
W21	polished chrome
W30	matt black

W0200.4560.90



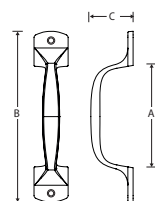
DESCRIPTION

Espagnolette pull knob for square bar

NUMBER

00.4560.90

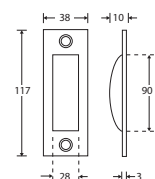
W0200.4324.90



DESCRIPTION

DESCRIPTION	A	B	C	NUMBER
Pull handle	50 mm	95 mm	29 mm	00.4324.90
Pull handle	70 mm	115 mm	30 mm	00.4328.90
Pull handle	80 mm	130 mm	35 mm	00.4332.90
Pull handle	100 mm	155 mm	35 mm	00.4333.90
Pull handle	116 mm	180 mm	40 mm	00.4334.90

W0200.4520.90



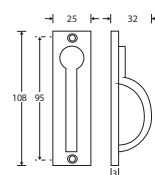
DESCRIPTION

Flush handle

NUMBER

00.4520.90

W0200.4535.90



DESCRIPTION

Sliding door pull ring

NUMBER

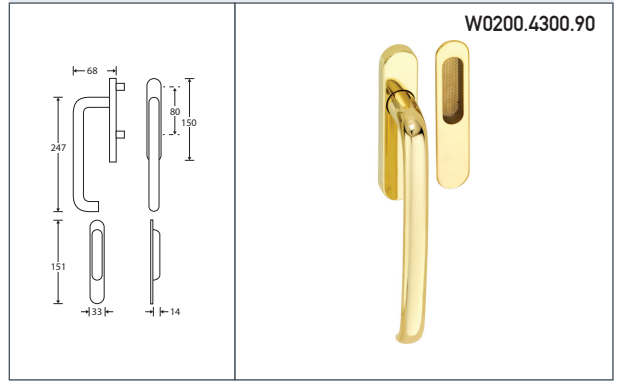
00.4535.90

COLORTABLE

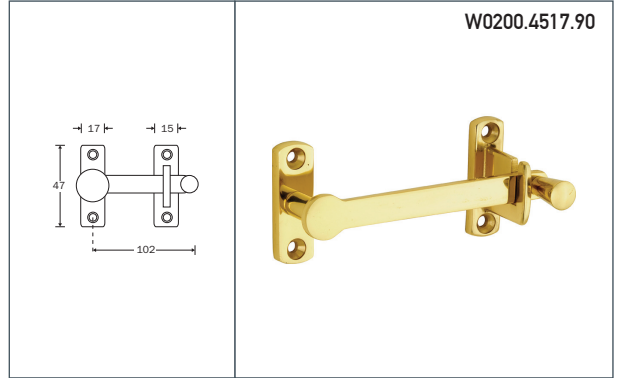
W01	brass lacquered
W02	brass unlacquered
W11	polished nickel
W21	polished chrome
W30	matt black



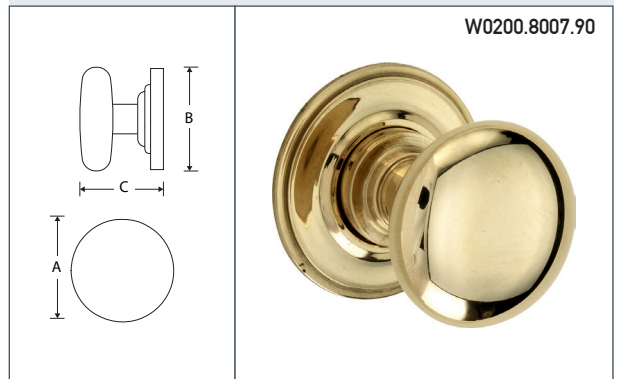
DESCRIPTION	NUMBER
Sliding door siphon Blind	00.4300.90
Sliding door siphon PC68	00.4301.90



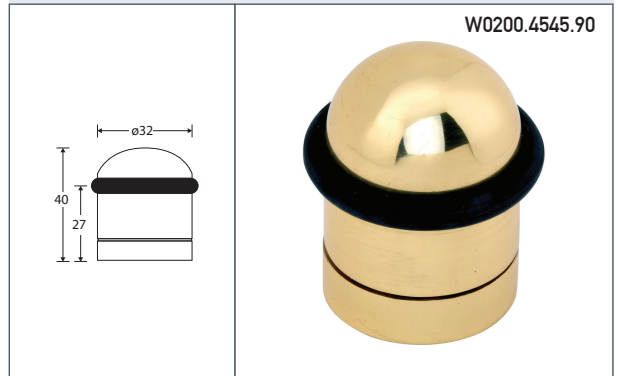
DESCRIPTION	NUMBER
Sliding door throwover catch	00.4517.90



DESCRIPTION	A	B	C	NUMBER
Furniture knob	35 mm	40 mm	41 mm	00.8007.90
Furniture knob	45 mm	50 mm	54 mm	00.8008.90

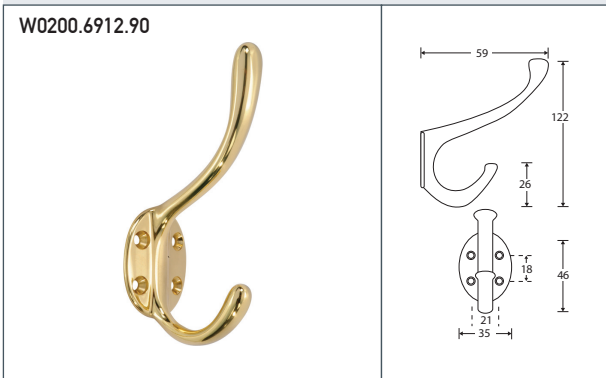


DESCRIPTION	NUMBER
Door stop	00.4545.90

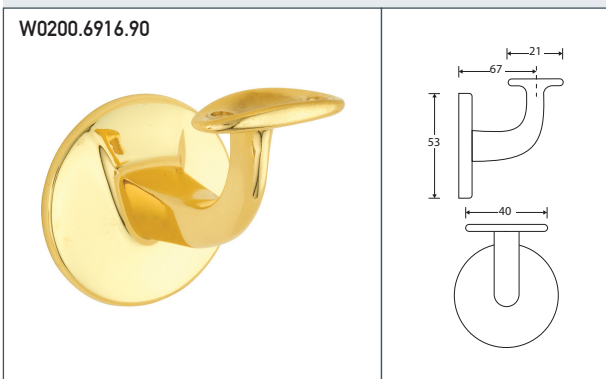


COLORTABLE

W01	brass lacquered
W02	brass unlacquered
W11	polished nickel
W21	polished chrome
W30	matt black



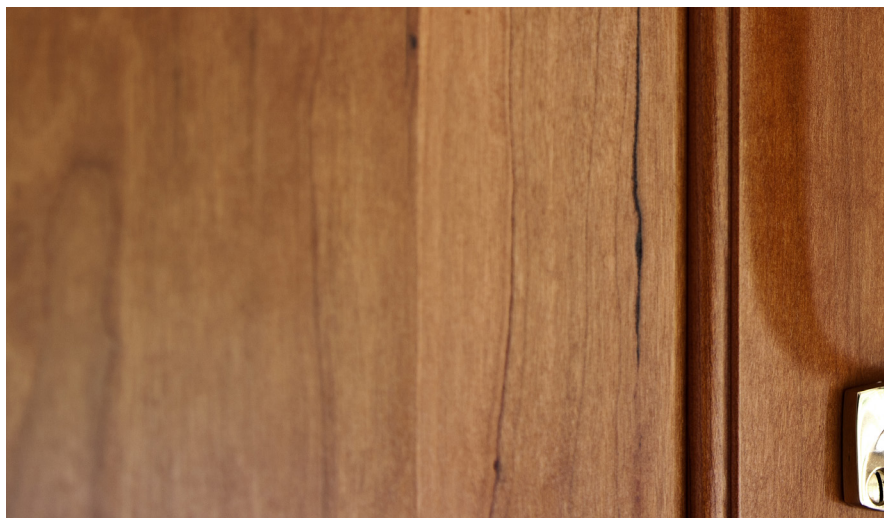
DESCRIPTION	NUMBER
Hat hook	00.6912.90



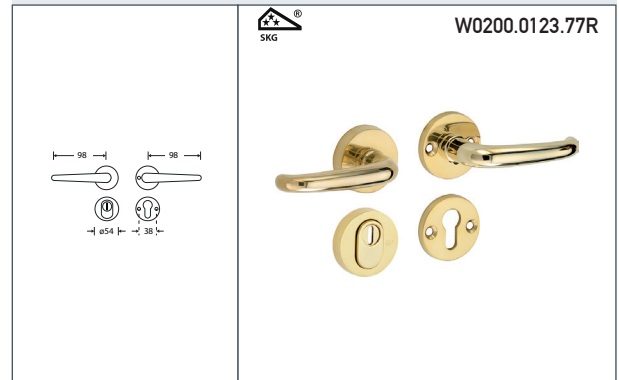
DESCRIPTION	NUMBER
Handrail bracket for round rail, concealed M8	00.6916.90
Handrail bracket for round rail, with screw holes	00.6924.90
Handrail bracket for flat rail, concealed M8	00.6918.90
Handrail bracket for flat rail, with screw holes	00.6917.90

COLORTABLE

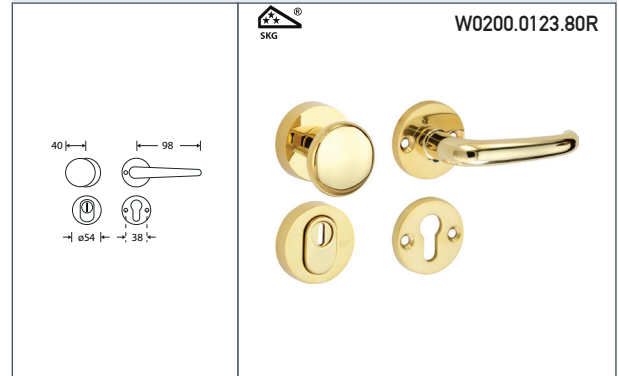
W01	brass lacquered
W02	brass unlacquered
W11	polished nickel
W21	polished chrome
W30	matt black



DESCRIPTION	NUMBER
Security lever handle set right hand with pull protection	00.0123.77R
Security lever handle set left hand with pull protection	00.0123.77L



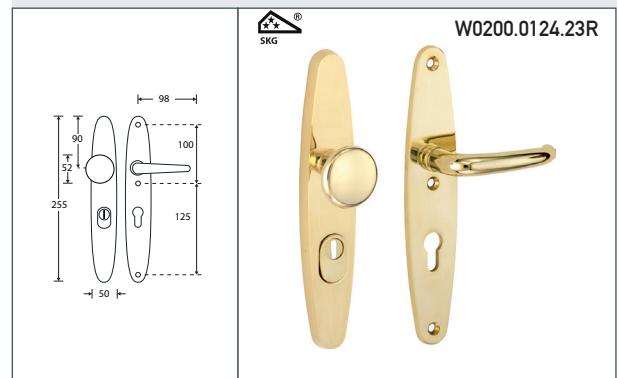
DESCRIPTION	NUMBER
Security knob handle set right hand with pull protection	00.0123.80R
Security knob handle set left hand with pull protection	00.0123.80L



DESCRIPTION	NUMBER
Security lever handle set right hand with pull protection PZ72	00.0124.20R
Security lever handle set left hand with pull protection PZ72	00.0124.20L
Security lever handle set right hand with pull protection PZ55	00.0124.07R
Security lever handle set left hand with pull protection PZ55	00.0124.07L
Security lever handle set right hand with pull protection PZ92	00.0124.33R
Security lever handle set left hand with pull protection PZ92	00.0124.33L



DESCRIPTION	NUMBER
Security knob handle set right hand with pull protection PZ72	00.0124.23R
Security knob handle set left hand with pull protection PZ72	00.0124.23L
Security knob handle set right hand with pull protection PZ55	00.0124.10R
Security knob handle set left hand with pull protection PZ55	00.0124.10L
Security knob handle set right hand with pull protection PZ92	00.0124.36R
Security knob handle set left hand with pull protection PZ92	00.0124.36L

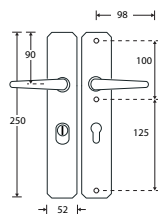


COLORTABLE

W01	brass lacquered (interior)
W02	brass unlacquered
W03	brass PVD (exterior)
W07	brass lacquered / brass PVD
W11	polished nickel (interior)
W18	polished nickel / polished chrome
W21	polished chrome
W30	matt black



W0200.0125.20R

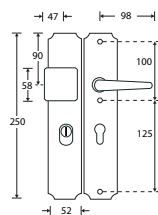


DESCRIPTION

NUMBER

Security lever handle set right hand with pull protection PZ72	00.0125.20R
Security lever handle set left hand with pull protection PZ72	00.0125.20L
Security lever handle set right hand with pull protection PZ55	00.0125.07R
Security lever handle set left hand with pull protection PZ55	00.0125.07L
Security lever handle set right hand with pull protection PZ92	00.0125.33R
Security lever handle set left hand with pull protection PZ92	00.0125.33L

W0200.0125.23R

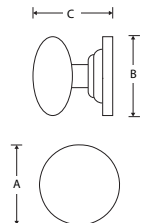


DESCRIPTION

NUMBER

Security knob handle set right hand with pull protection PZ72	00.0125.23R
Security knob handle set left hand with pull protection PZ72	00.0125.23L
Security knob handle set right hand with pull protection PZ55	00.0125.10R
Security knob handle set left hand with pull protection PZ55	00.0125.10L
Security knob handle set right hand with pull protection PZ92	00.0125.36R
Security knob handle set left hand with pull protection PZ92	00.0125.36L

W0200.4007.90

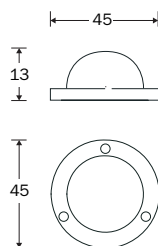


DESCRIPTION

A B C NUMBER

Front door knob	Ø60 mm	78 mm	67 mm	00.4007.90
Front door knob	Ø70 mm	90 mm	70 mm	00.4008.90
Front door knob	Ø90 mm	90 mm	74 mm	00.4083.90

W0200.4013.90



DESCRIPTION

NUMBER

Nut cap	00.4013.90
---------	------------

COLORTABLE

W01	brass lacquered (interior)
W02	brass unlacquered
W03	brass PVD (exterior)
W07	brass lacquered / brass PVD
W11	polished nickel (interior)
W18	polished nickel / polished chrome
W21	polished chrome
W30	matt black

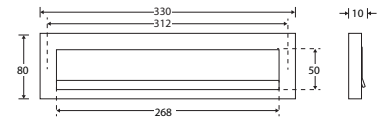


DESCRIPTION	NUMBER
Letter plate rectangular	00.4090.90

Letter plate rectangular

00.4090.90

W0200.4090.90

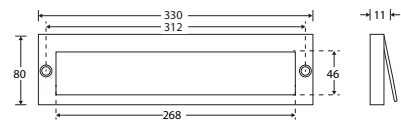


DESCRIPTION	NUMBER
Draught flap rectangular with brush	00.4092.90

Draught flap rectangular with brush

00.4092.90

W0200.4092.90

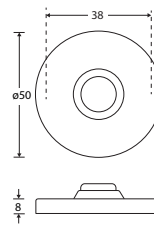


DESCRIPTION	NUMBER
Doorbell round	00.4016.90

Doorbell round

00.4016.90

W0200.4016.90



DESCRIPTION	NUMBER
Pull bell set complete	00.4018.90
Pull bell set without knob	00.4019.90

Pull bell set complete

00.4018.90

Pull bell set without knob

00.4019.90

W0200.4018.90

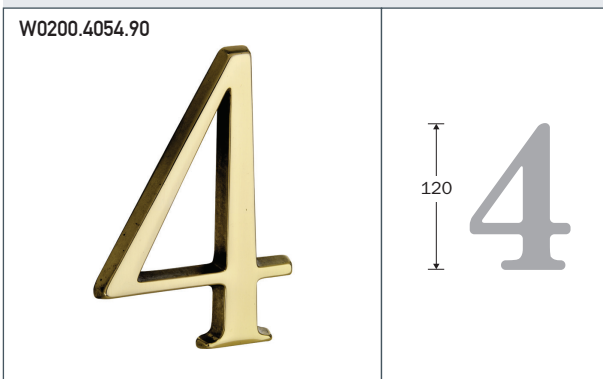


COLORTABLE

- W01 brass lacquered (interior)
- W02 brass unlacquered
- W03 brass PVD (exterior)
- W07 brass lacquered / brass PVD
- W11 polished nickel (interior)
- W18 polished nickel / polished chrome
- W21 polished chrome
- W30 matt black



DESCRIPTION	NUMBER
Door knocker	00.4081.90
Nut cap	00.4013.90



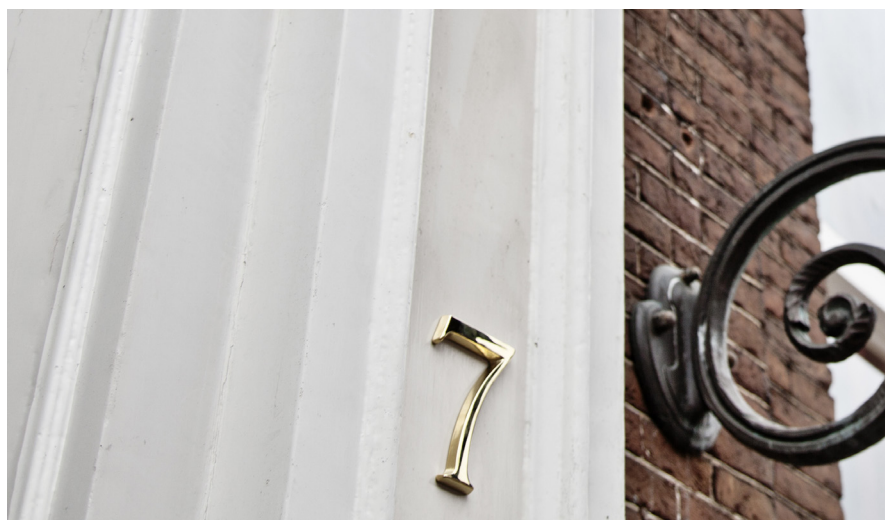
DESCRIPTION	NUMBER
House number 0	00.4050.90
House number 1	00.4051.90
House number 2	00.4052.90
House number 3	00.4053.90
House number 4	00.4054.90
House number 5	00.4055.90
House number 6	00.4056.90
House number 7	00.4057.90
House number 8	00.4058.90
House number 9	00.4059.90



DESCRIPTION	NUMBER
House letter A	00.4040.90
House letter B	00.4041.90
House letter C	00.4042.90
House letter D	00.4043.90
House letter H	00.4044.90
House letter W	00.4045.90

COLORTABLE

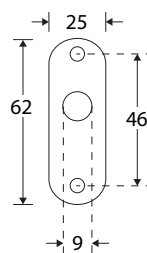
- W01 brass lacquered (interior)
- W02 brass unlacquered
- W03 brass PVD (exterior)
- W07 brass lacquered / brass PVD
- W11 polished nickel (interior)
- W18 polished nickel / polished chrome
- W21 polished chrome
- W30 matt black



DESCRIPTION NUMBER

Pin lock cover rosette open

00.2505.90



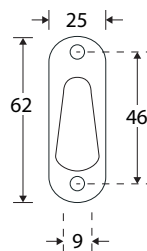
W0200.2505.90



DESCRIPTION NUMBER

Pin lock cover rosette concealed

00.2506.90



W0200.2506.90

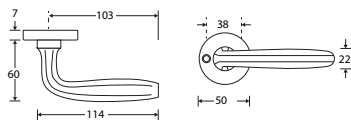


COLORTABLE

- W01 *brass lacquered (interior)*
- W02 *brass unlacquered*
- W03 *brass PVD (exterior)*
- W07 *brass lacquered / brass PVD*
- W11 *polished nickel (interior)*
- W18 *polished nickel / polished chrome*
- W21 *polished chrome*
- W30 *matt black*

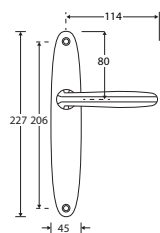


W0100.0128.46



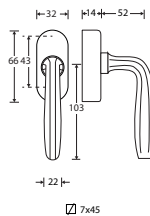
DESCRIPTION	NUMBER
Lever handle set	00.0128.46
Door handle	00.0009.45
Lever rosette	00.2413.60
Key escutcheon	00.2415.56
Euro profile escutcheon	00.2416.57
Free occupied spindle 5-8mm	00.2442.61

W2100.0129.01



DESCRIPTION	NUMBER
Lever handle set Blind	00.0129.01
Door handle	00.0009.45
Backplate Blind	00.2530.01
Backplate KH56	00.2530.04
Backplate KH72	00.2530.12
Backplate KH92	00.2530.14
Backplate PZ55	00.2530.24
Backplate PZ72	00.2530.27
Backplate PZ92	00.2530.37
Backplate F063	00.2530.67
Backplate F072	00.2530.70
Backplate F078	00.2530.72
Free occupied spindle 5-8mm	00.2442.61

W2100.5706.90



DESCRIPTION	NUMBER
TT mechanism with handle	00.5706.90

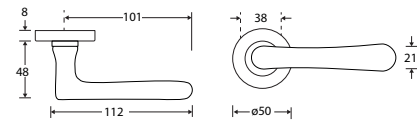
COLORTABLE

W01	brass lacquered
W11	polished nickel
W13	satin nickel unlacquered
W16	antique nickel
W21	polished chrome



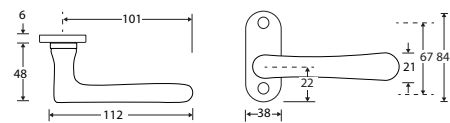
DESCRIPTION	Ω	NUMBER
Lever handle set		00.0130.46
Lever handle set	with spring	00.0130.50
Door handle		00.0010.45
Lever rosette		00.2417.60
Lever rosette	with spring	00.2417.62
Key escutcheon		00.2419.56
Euro profile escutcheon		00.2420.57
Free occupied set 5-8 mm		00.2444.61

W1100.0130.46



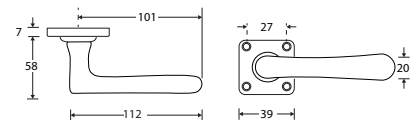
DESCRIPTION	NUMBER
Lever handle set	00.0131.46
Door handle	00.0010.45
Patent rosette	00.2433.60
Key escutcheon	00.2434.55
Euro profile escutcheon	00.2435.57

W2300.0131.46



DESCRIPTION	Ω	NUMBER
Lever handle set		00.0220.46
Lever handle set	with spring	00.0220.50
Door handle		00.0010.45
Lever rosette		00.2422.60
Lever rosette	with spring	00.2422.62
Key escutcheon		00.2423.55
Euro profile escutcheon		00.2424.57
Free occupied spindle 5-8mm		00.2442.61

W0200.0220.46

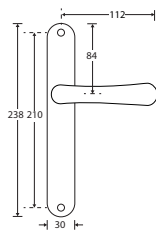


COLORTABLE

W01	brass lacquered
W02	brass unlacquered
W11	polished nickel
W13	satın nickel unlacquered
W21	polished chrome
W23	satın chrome
W30	matt black



W3000.0132.01

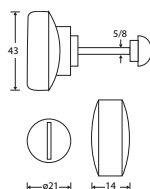


DESCRIPTION

NUMBER

Lever handle set Blind	00.0132.01
Door handle	00.0010.45
Backplate Blind	00.2456.01
Backplate WL56	00.2456.04
Backplate WL72	00.2456.12
Backplate WL92	00.2456.14
Backplate WL110	00.2456.15
Backplate PZ55	00.2456.24
Backplate PZ72	00.2456.27
Backplate PZ92	00.2456.37
Backplate PZ110	00.2456.41
Backplate F063	00.2456.67
Backplate F072	00.2456.70
Backplate F078	00.2456.72
Free occupied spindle 5-8mm	00.2442.61

W3000.2442.61

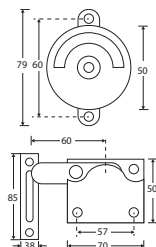


DESCRIPTION

NUMBER

Free occupied spindle 5-8mm	00.2442.61
-----------------------------	------------

W3000.2447.90



DESCRIPTION

NUMBER

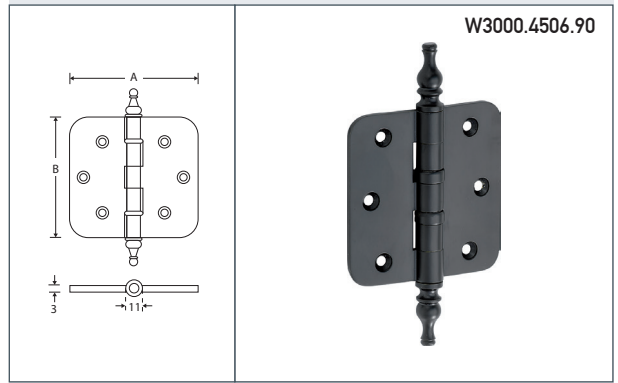
Free occupied throwover catch with elbow, complete red / green	00.2447.90
Free occupied throwover catch flat, complete red / green	00.2446.90
Enamel disk vacant / occupied throwover catch vacant / occupied	W0000.9149.90

COLORTABLE

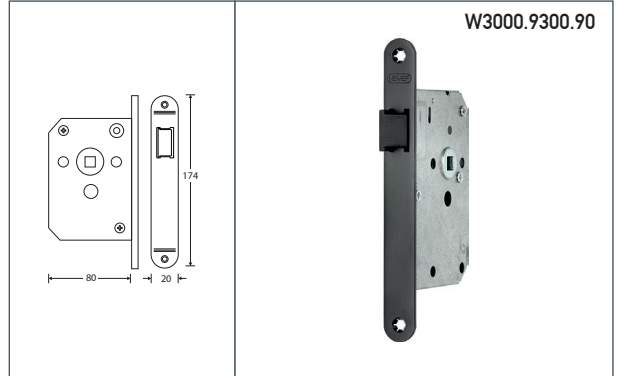
W01	brass lacquered
W02	brass unlacquered
W11	polished nickel
W13	satin nickel unlacquered
W21	polished chrome
W23	satin chrome
W30	matt black



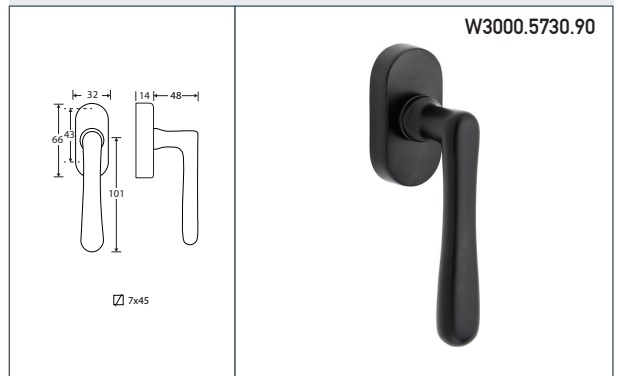
DESCRIPTION	A	B	NUMBER
Ball bearing hinge round corner crown	76 mm	76 mm	00.4506.90
Ball bearing hinge round corner crown	89 mm	89 mm	00.4507.90
Ball bearing hinge straight corner crown	76 mm	76 mm	00.4565.90
Ball bearing hinge straight corner crown	89 mm	89 mm	00.4566.90



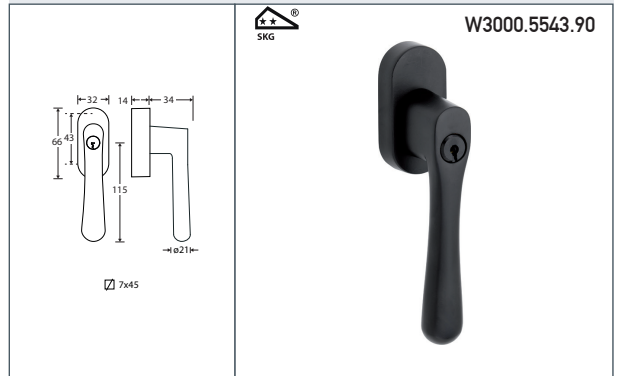
DESCRIPTION	NUMBER
Mortice latch lock	00.9300.90
Mortice cabinet lock KH	00.9301.55
Mortice cabinet lock PZ	00.9302.57
Mortice toilet lock 63-8mm	00.9303.67
Mortice sash lock KH56	00.9304.55
Mortice sash lock PZ55	00.9305.57



DESCRIPTION	NUMBER
TT mechanism with handle	00.5730.90



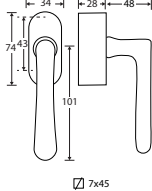
DESCRIPTION	NUMBER
Security TT window handle lockable	00.5543.90



COLORTABLE

W01	brass lacquered
W02	brass unlacquered
W11	polished nickel
W13	satin nickel unlacquered
W21	polished chrome
W23	satin chrome
W30	matt black


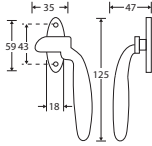
W3000.5708.90 


7x45


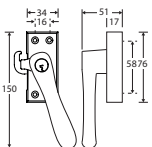
DESCRIPTION	NUMBER
Lockable security TT mechanism with handle	00.5708.90

W3000.5625.90


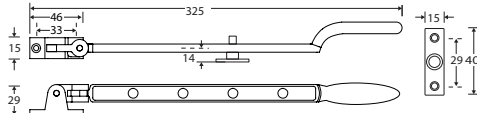
DESCRIPTION	NUMBER
Window lever handle, right hand, open to outside	00.5625.90
Window lever handle, left hand, open to outside	00.5624.90
Hasp for window lever handle, open to inside	00.9121.90
Shim 3mm tbv window handle	00.5688.90

W3000.5519.90 

DESCRIPTION	NUMBER
Security window fastener, right hand, open to outside	00.5519.90
Security window fastener, left hand, open to outside	00.5518.90
Shim 3mm for lockable window handle	00.5687.90
End catch for lockable window handle right hand, open to inside	00.9185.90
End catch for lockable window handle left hand, open to inside	00.9184.90

W3000.5534.90

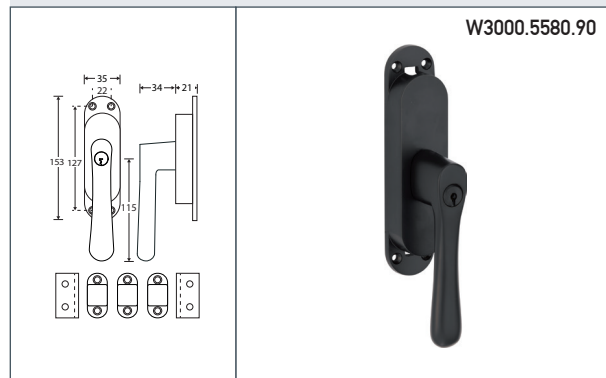
DESCRIPTION	NUMBER
Casement stay with pin	00.5534.90
Pin for casement stay	00.9187.90

COLORTABLE

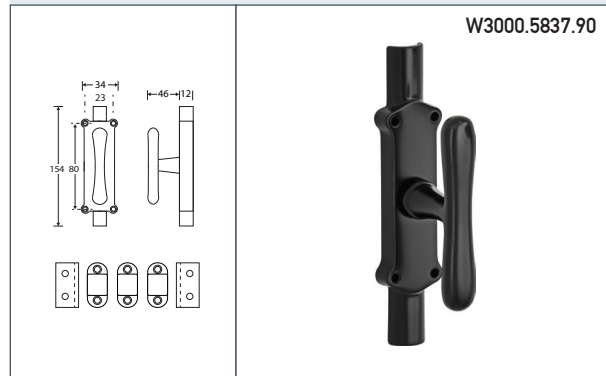
W01	brass lacquered
W02	brass unlacquered
W11	polished nickel
W13	satin nickel unlacquered
W21	polished chrome
W23	satin chrome
W30	matt black



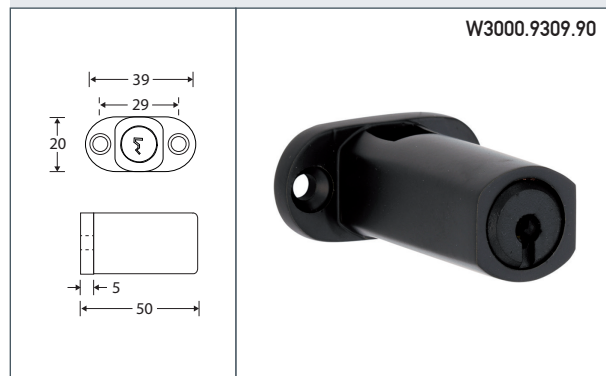
DESCRIPTION	NUMBER
Lever espagnolette complete lockable, right hand	00.5580.90
Lever espagnolette complete lockable, left hand	00.5579.90
Espagnolette bar elongation set oval with bar	00.5834.90
Espagnolette lock, for square bar	00.9309.90



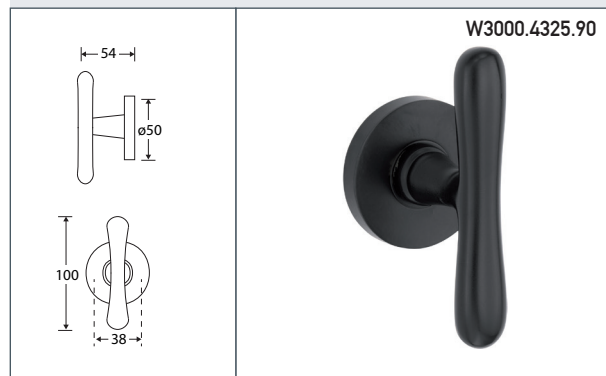
DESCRIPTION	NUMBER
Lever espagnolette T complete, with halfround bars	00.5837.90



DESCRIPTION	NUMBER
Espagnolette lock, for square bar	00.9309.90



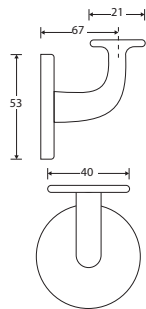
DESCRIPTION	NUMBER
Big cupboard knob concealed	00.4325.90



COLORTABLE

W01	brass lacquered
W02	brass unlacquered
W11	polished nickel
W13	satin nickel unlacquered
W21	polished chrome
W23	satin chrome
W30	matt black

W3000.6916.90



DESCRIPTION

NUMBER

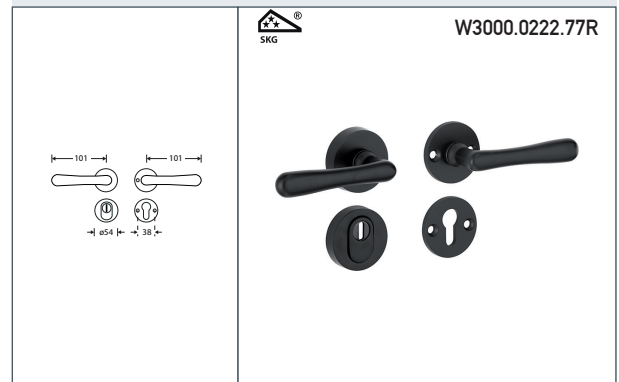
Handrail bracket for round rail, concealed M8	00.6916.90
Handrail bracket for round rail, with screw holes	00.6924.90
Handrail bracket for flat rail, concealed M8	00.6918.90
Handrail bracket for flat rail, with screw holes	00.6917.90

COLORTABLE

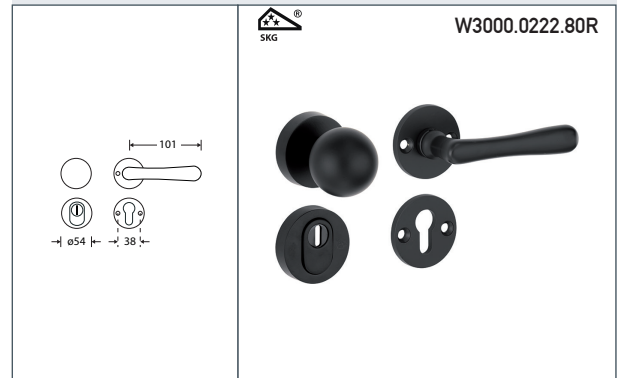
W01	brass lacquered
W02	brass unlacquered
W11	polished nickel
W13	satin nickel unlacquered
W21	polished chrome
W23	satin chrome
W30	matt black



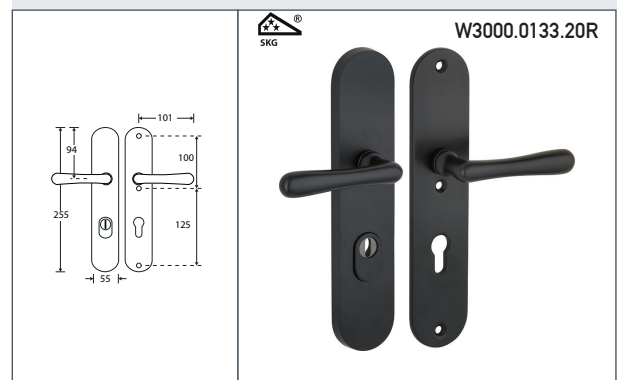
DESCRIPTION	NUMBER
Security lever handle set right hand with pull protection	00.0222.77R
Security lever handle set left hand with pull protection	00.0222.77L



DESCRIPTION	NUMBER
Security knob handle set right hand with pull protection	00.0222.80R
Security knob handle set left hand with pull protection	00.0222.80L



DESCRIPTION	NUMBER
Security lever handle set right hand with pull protection PZ72	00.0133.20R
Security lever handle set left hand with pull protection PZ72	00.0133.20L
Security lever handle set right hand with pull protection PZ55	00.0133.07R
Security lever handle set left hand with pull protection PZ55	00.0133.07L
Security lever handle set right hand with pull protection PZ92	00.0133.33R
Security lever handle set left hand with pull protection PZ92	00.0133.33L



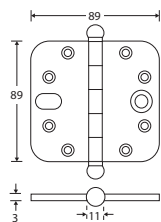
DESCRIPTION	NUMBER
Security knob handle set right hand with pull protection PZ72	00.0133.23R
Security knob handle set left hand with pull protection PZ72	00.0133.23L
Security knob handle set right hand with pull protection PZ55	00.0133.10R
Security knob handle set left hand with pull protection PZ55	00.0133.10L
Security knob handle set right hand with pull protection PZ92	00.0133.36R
Security knob handle set left hand with pull protection PZ92	00.0133.36L



COLORTABLE

W01	brass lacquered (interior)
W02	brass unlacquered
W03	brass PVD (exterior)
W07	brass lacquered / brass PVD
W11	polished nickel (interior)
W13	satın nickel unlacquered (interior)
W14	satın nickel PVD (exterior)
W18	polished nickel / polished chrome
W19	satın nickel lacquered / satın nickel PVD
W21	polished chrome
W23	satın chrome
W30	matt black

W3000.4061.90



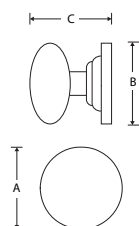
DESCRIPTION

Security hinge round corner ball

NUMBER

00.4061.90

W3000.4007.90



DESCRIPTION

Front door knob

A

B

C

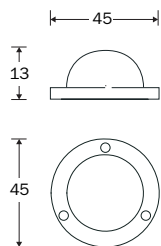
NUMBER

Ø60 mm 78 mm 67 mm 00.4007.90

Front door knob Ø70 mm 90 mm 70 mm 00.4008.90

Front door knob Ø90 mm 90 mm 74 mm 00.4083.90

W3000.4013.90



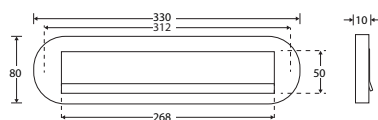
DESCRIPTION

Nut cap

NUMBER

00.4013.90

W3000.4091.90



DESCRIPTION

Letter plate oval

NUMBER

00.4091.90

COLORTABLE

W01	brass lacquered (interior)
W02	brass unlacquered
W03	brass PVD (exterior)
W07	brass lacquered / brass PVD
W11	polished nickel (interior)
W13	satin nickel unlacquered (interior)
W14	satin nickel PVD (exterior)
W18	polished nickel / polished chrome
W19	satin nickel lacquered / satin nickel PVD
W21	polished chrome
W23	satin chrome
W30	mat black

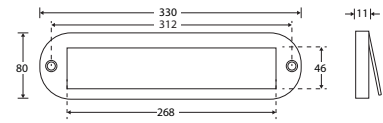


DESCRIPTION NUMBER

Draught flap oval with brush 00.4093.90

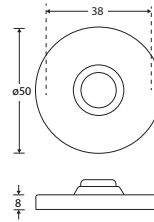


W3000.4093.90



DESCRIPTION NUMBER

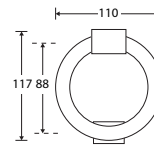
Doorbell round 00.4016.90



W3000.4016.90

DESCRIPTION NUMBER

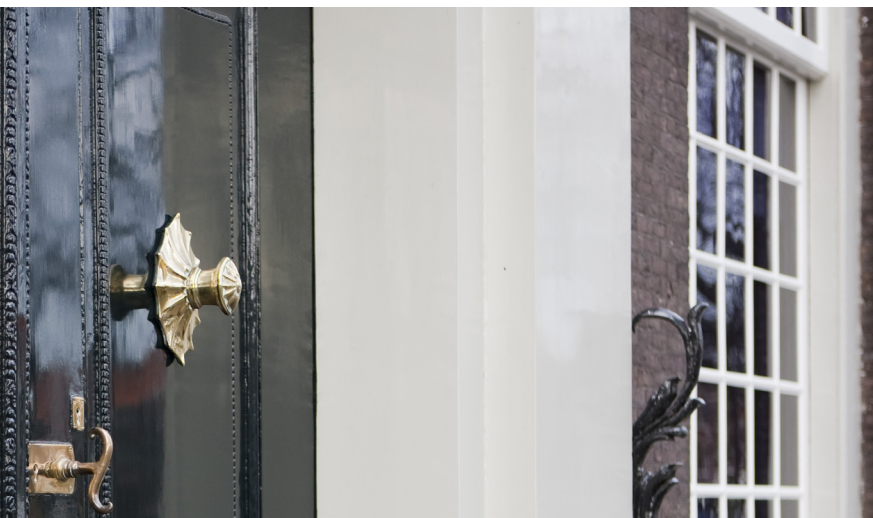
Door knocker 00.4081.90
Nut cap 00.4013.90



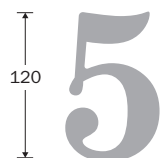
W3000.4081.90

COLORTABLE

W01	<i>brass lacquered (interior)</i>
W02	<i>brass unlacquered</i>
W03	<i>brass PVD (exterior)</i>
W07	<i>brass lacquered / brass PVD</i>
W11	<i>polished nickel (interior)</i>
W13	<i>satin nickel unlacquered (interior)</i>
W14	<i>satin nickel PVD (exterior)</i>
W18	<i>polished nickel / polished chrome</i>
W19	<i>satin nickel lacquered / satin nickel PVD</i>
W21	<i>polished chrome</i>
W23	<i>satin chrome</i>
W30	<i>matt black</i>



W3000.4055.90

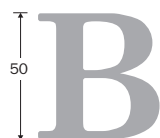


DESCRIPTION

NUMBER

House number 0	00.4050.90
House number 1	00.4051.90
House number 2	00.4052.90
House number 3	00.4053.90
House number 4	00.4054.90
House number 5	00.4055.90
House number 6	00.4056.90
House number 7	00.4057.90
House number 8	00.4058.90
House number 9	00.4059.90

W3000.4041.90



DESCRIPTION

NUMBER

House letter A	00.4040.90
House letter B	00.4041.90
House letter C	00.4042.90
House letter D	00.4043.90
House letter H	00.4044.90
House letter W	00.4045.90

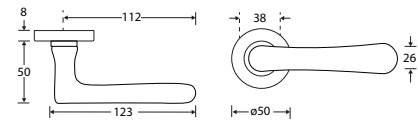
COLORTABLE

W01	brass lacquered (interior)
W02	brass unlacquered
W03	brass PVD (exterior)
W07	brass lacquered / brass PVD
W11	polished nickel (interior)
W13	satin nickel unlacquered (interior)
W14	satin nickel PVD (exterior)
W18	polished nickel / polished chrome
W19	satin nickel lacquered / satin nickel PVD
W21	polished chrome
W23	satin chrome
W30	matt black



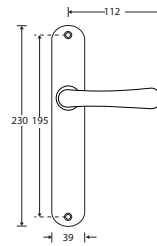
DESCRIPTION	Ω	NUMBER
Lever handle set		00.0221.46
Lever handle set	with spring	00.0221.50
Door handle		00.0043.45
Lever rosette		00.2417.60
Lever rosette	with spring	00.2417.62
Key escutcheon		00.2419.56
Euro profile escutcheon		00.2420.57
Free occupied set 5-8 mm		00.2444.61

W2100.0221.46



DESCRIPTION	NUMBER
Lever handle set Blind	00.0239.01
Door handle	00.0043.45
Backplate Blind	00.2455.01
Backplate KH56	00.2455.04
Backplate KH72	00.2455.12
Backplate KH92	00.2455.14
Backplate KH110	00.2455.15
Backplate PZ55	00.2455.24
Backplate PZ72	00.2455.27
Backplate PZ92	00.2455.37
Backplate PZ110	00.2455.41
Backplate F063	00.2455.67
Backplate F072	00.2455.70
Backplate F078	00.2455.72
Free occupied spindle 5-8mm	00.2442.61

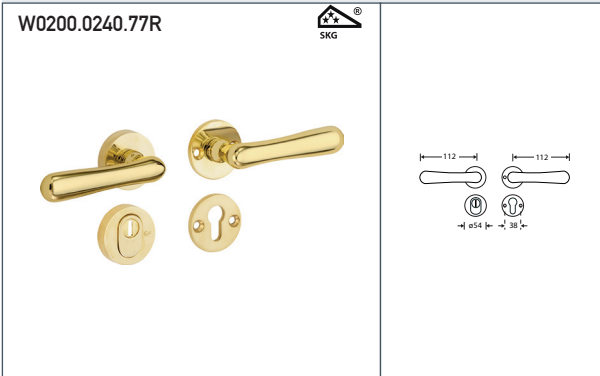
W3000.0239.01



COLORTABLE

W02	brass unlacquered
W11	polished nickel
W21	polished chrome
W30	matt black

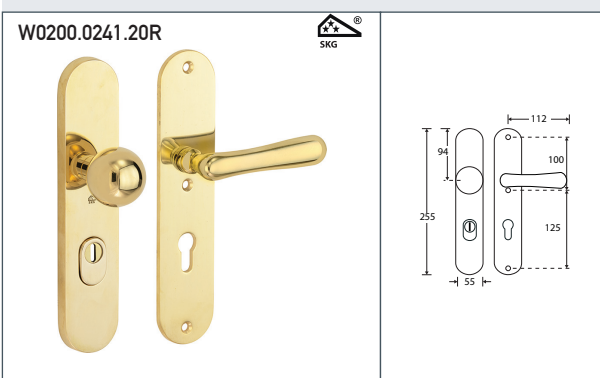




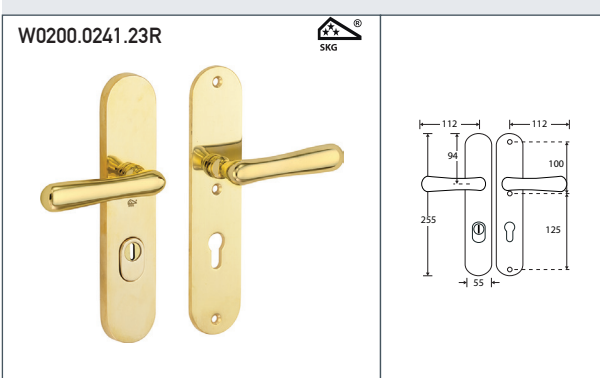
DESCRIPTION	NUMBER
Security lever handle set right hand with pull protection	00.0240.77R
Security lever handle set left hand with pull protection	00.0240.77L



DESCRIPTION	NUMBER
Security knob handle set right hand with pull protection	00.0240.80R
Security knob handle set left hand with pull protection	00.0240.80L



DESCRIPTION	NUMBER
Security lever handle set right hand with pull protection PZ72	00.0241.20R
Security lever handle set left hand with pull protection PZ72	00.0241.20L
Security lever handle set right hand with pull protection PZ55	00.0241.07R
Security lever handle set left hand with pull protection PZ55	00.0241.07L
Security lever handle set right hand with pull protection PZ92	00.0241.33R
Security lever handle set left hand with pull protection PZ92	00.0241.33L



DESCRIPTION	NUMBER
Security knob handle set right hand with pull protection PZ72	00.0241.23R
Security knob handle set left hand with pull protection PZ72	00.0241.23L
Security knob handle set right hand with pull protection PZ55	00.0241.10R
Security knob handle set left hand with pull protection PZ55	00.0241.10L
Security knob handle set right hand with pull protection PZ92	00.0241.36R
Security knob handle set left hand with pull protection PZ92	00.0241.36L

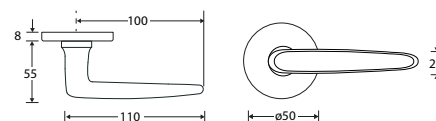
COLORTABLE

W02	brass unlacquered
W18	polished nickel
W21	polished chrome
W30	matt black



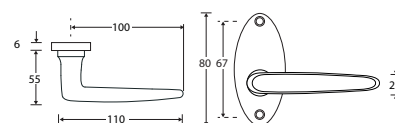
DESCRIPTION	Ω	NUMBER
Lever handle set		00.0135.46
Lever handle set	with spring	00.0135.50
Door handle		00.0022.45
Lever rosette		00.2417.60
Lever rosette	with spring	00.2417.62
Key escutcheon		00.2419.56
Euro profile escutcheon		00.2420.57
Free occupied set 5-8 mm		00.2444.61

W2100.0135.46



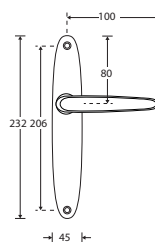
DESCRIPTION	NUMBER
Lever handle set	00.0136.46
Door handle	00.0022.45
Patent rosette	00.2432.60

W3000.0136.46



DESCRIPTION	NUMBER
Lever handle set Blind	00.0137.01
Door handle	00.0022.45
Backplate Blind	00.2530.01
Backplate KH56	00.2530.04
Backplate KH72	00.2530.12
Backplate KH92	00.2530.14
Backplate PZ55	00.2530.24
Backplate PZ72	00.2530.27
Backplate PZ92	00.2530.37
Backplate FO63	00.2530.67
Backplate FO72	00.2530.70
Backplate FO78	00.2530.72
Free occupied spindle 5-8mm	00.2442.61

W0200.0137.01

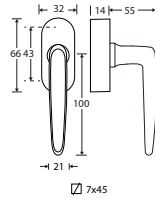


COLORTABLE

W02	brass unlacquered
W05	brass antique
W11	polished nickel
W13	satın nickel unlacquered
W21	polished chrome
W23	satın chrome
W30	matt black



W3000.5707.90



DESCRIPTION

TT mechanism with handle

NUMBER

00.5707.90

COLORTABLE

W02	brass unlacquered
W05	brass antique
W11	polished nickel
W13	satin nickel unlacquered
W21	polished chrome
W23	satin chrome
W30	matt black



DISTINGUISHED
Elegancy

AMSTERDAM

Mi Satori

TOUCH | FEEL | KNOW

ART DECO

Emerging around the beginning of the 20th century, Art Deco was a popular movement that had a major influence on architecture, visual art, fashion and interior design. The term 'Art Deco' comes from the French name of the world's fair: *Exposition Internationale des Arts Décoratifs et Industriels Modernes*.

Art Deco represented luxury, glamour, exuberance, and faith in social and technological progress. With the rise of mass production, a huge segment of the population came into contact with this imaginative art movement, as it was incorporated into all sorts of everyday products, including lamps, radios, clocks and telephones.

The art deco style, which above all reflected modern technology, was characterized by smooth lines, geometric shapes, streamlined forms and the use of mathematical proportions. The style was somewhat stark, using sleek, simple lines. New costly materials were frequently used in the designs. Typical examples of Art Deco include the Chrysler Building in New York City and the Tuschinski Theatre in Amsterdam.

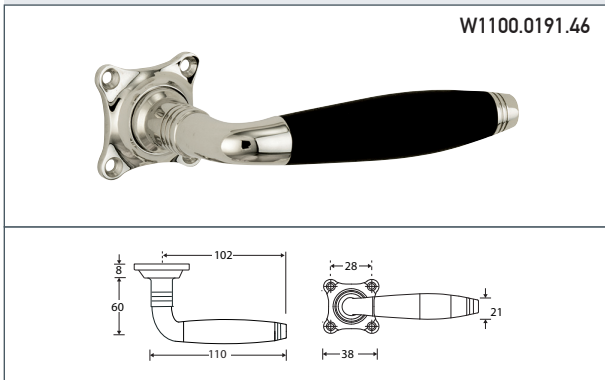
Art Deco design incorporated many new materials, such as lightweight metal and synthetics like Bakelite. These materials were easy to use in home furnishings and could be seen frequently in architectural hardware. The Ton model is an excellent example: a timeless model produced in modern materials, it is one of the classics that came out of those tumultuous times.



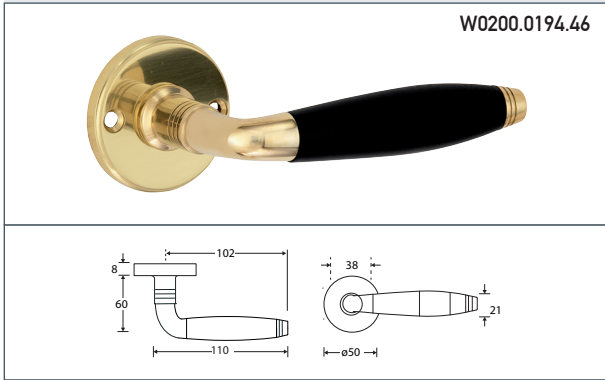
Mi Satori

TOUCH | FEEL | KNOW

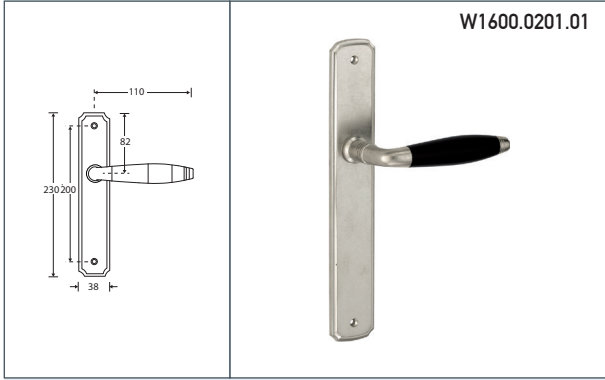
DESCRIPTION	NUMBER
Lever handle set	00.0191.46
Door handle	00.0186.45
Lever rosette	00.2532.60
Key escutcheon	00.2533.55
Euro profile escutcheon	00.2534.57
Free occupied spindle 5-8mm	00.2442.61



DESCRIPTION	NUMBER
Lever handle set	00.0194.46
Door handle	00.0186.45
Lever rosette	00.2405.60
Key escutcheon	00.2407.56
Euro profile escutcheon	00.2408.57
Free occupied spindle 5-8mm	00.2442.61



DESCRIPTION	NUMBER
Lever handle set Blind	00.0201.01
Door handle	00.0186.45
Backplate Blind	00.2531.01
Backplate KH56	00.2531.04
Backplate KH72	00.2531.12
Backplate KH92	00.2531.14
Backplate KH110	00.2531.15
Backplate PZ55	00.2531.24
Backplate PZ72	00.2531.27
Backplate PZ92	00.2531.37
Backplate PZ110	00.2531.41
Backplate F063	00.2531.67
Backplate F072	00.2531.70
Backplate F078	00.2531.72
Free occupied spindle 5-8mm	00.2442.61




COLORTABLE	
W02	brass unlacquered ebony
W11	polished nickel ebony
W16	antique nickel ebony

W1600.5556.90





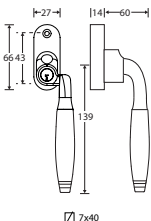

DESCRIPTION	NUMBER
TT mechanism with handle	00.5556.90

W1600.5549.90 





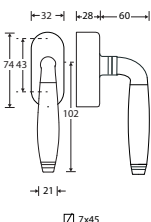

DESCRIPTION	NUMBER
Security TT window handle lockable	00.5549.90

W1600.5548.90 

DESCRIPTION	NUMBER
Security TT window handle lockable right hand	00.5548.90
Security TT window handle lockable left hand	00.5547.90

W1600.5692.90 

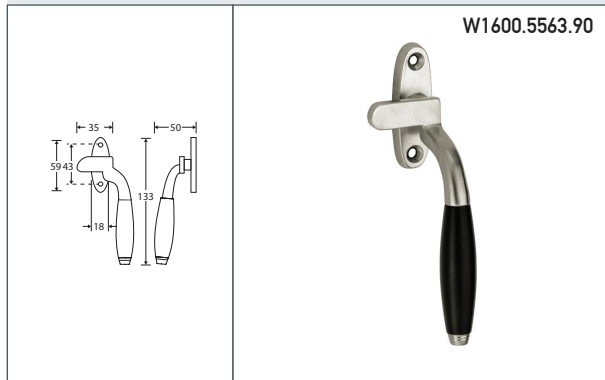
DESCRIPTION	NUMBER
Lockable security TT mechanism with handle	00.5692.90

COLORTABLE

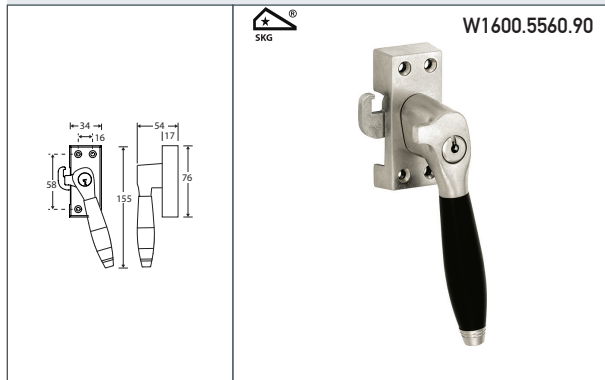
W02	brass unlacquered ebony
W11	polished nickel ebony
W16	antique nickel ebony



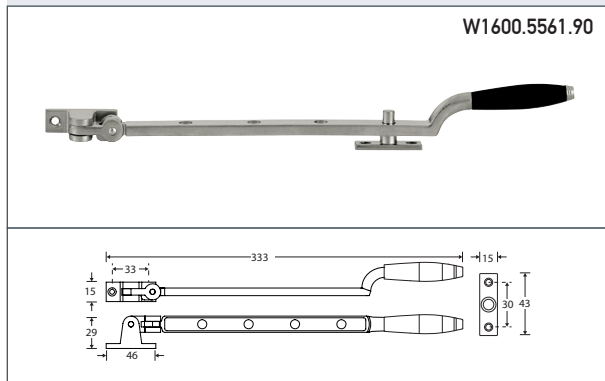
DESCRIPTION	NUMBER
Window lever handle, right hand, open to outside	00.5563.90
Window lever handle, left hand, open to outside	00.5562.90
Hasp for window lever handle, open to inside	00.9121.90
Shim 3mm tbv window handle	00.5688.90



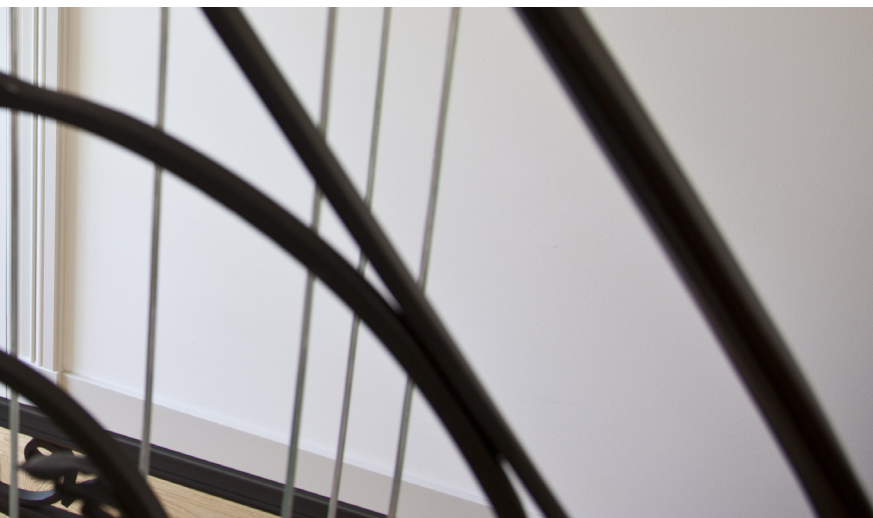
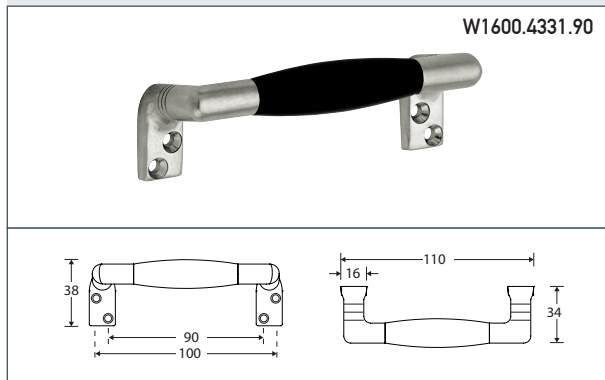
DESCRIPTION	NUMBER
Security window fastener, right hand, open to outside	00.5560.90
Security window fastener, left hand, open to outside	00.5564.90
Shim 3mm for lockable window handle	00.5687.90
End catch for lockable window handle right hand, open to inside	00.9185.90
End catch for lockable window handle left hand, open to inside	00.9184.90



DESCRIPTION	NUMBER
Casement stay with pin	00.5561.90
Pin for casement stay	00.9187.90




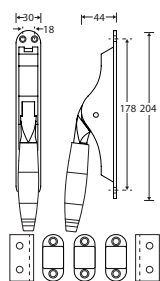
DESCRIPTION	NUMBER
Sash window handle	00.4331.90



COLORTABLE

W02	brass unlaquered ebony
W11	polished nickel ebony
W16	antique nickel ebony

W1600.4597.90

DESCRIPTION	NUMBER
Pump espagnolette complete with bars	00.4597.90
Espagnolette bar elongation set oval with bar	00.5834.90
Espagnolette lock, for square bar	00.9309.90

W1600.5546.90




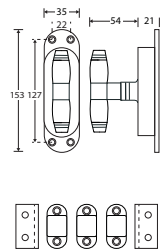

DESCRIPTION	NUMBER
Lever espagnolette complete, right hand with bars	00.5546.90
Lever espagnolette complete, left hand with bars	00.5545.90
Espagnolette bar elongation set oval with bar	00.5834.90
Espagnolette lock, for square bar	00.9309.90

W1600.5716.90




DESCRIPTION	NUMBER
Lever espagnolette complete lockable, right hand	00.5716.90
Lever espagnolette complete lockable, left hand	00.5665.90
Espagnolette bar elongation set oval with bar	00.5834.90
Espagnolette lock, for square bar	00.9309.90

W1600.5703.90

DESCRIPTION	NUMBER
Lever espagnolette T complete, with bars	00.5703.90
Espagnolette bar elongation set oval with bar	00.5834.90
Espagnolette lock, for square bar	00.9309.90

COLORTABLE

W02	brass unlacquered ebony
W11	polished nickel ebony
W16	antique nickel ebony



DESCRIPTION	NUMBER
Lever espagnolette T complete, with halfround bars	00.5690.90

W1600.5690.90

DESCRIPTION	NUMBER
Pull handle	00.4354.90

W1600.4354.90

DESCRIPTION	NUMBER
Pull handle	00.4355.90

W1600.4355.90


DESCRIPTION	NUMBER
Furniture handle	00.8041.90


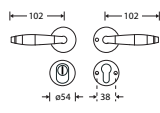
W1600.8041.90




COLORTABLE

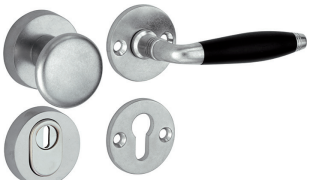
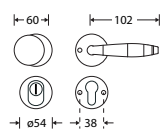
W02	brass unlacquered ebony
W11	polished nickel ebony
W16	antique nickel ebony

W2000.0204.77R 






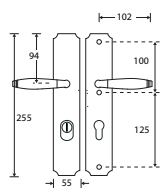
DESCRIPTION	NUMBER
Security lever handle set right hand with pull protection	00.0204.77R
Security lever handle set left hand with pull protection	00.0204.77L

W2000.0204.80R 






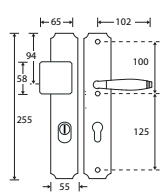
DESCRIPTION	NUMBER
Security knob handle set right hand with pull protection	00.0204.80R
Security knob handle set left hand with pull protection	00.0204.80L

W2000.0195.20R 

DESCRIPTION	NUMBER
Security lever handle set right hand with pull protection PZ72	00.0195.20R
Security lever handle set left hand with pull protection PZ72	00.0195.20L
Security lever handle set right hand with pull protection PZ55	00.0195.07R
Security lever handle set left hand with pull protection PZ55	00.0195.07L
Security lever handle set right hand with pull protection PZ92	00.0195.33R
Security lever handle set left hand with pull protection PZ92	00.0195.33L

W2000.0195.23R 

DESCRIPTION	NUMBER
Security knob handle set right hand with pull protection PZ72	00.0195.23R
Security knob handle set left hand with pull protection PZ72	00.0195.23L
Security knob handle set right hand with pull protection PZ55	00.0195.10R
Security knob handle set left hand with pull protection PZ55	00.0195.10L
Security knob handle set right hand with pull protection PZ92	00.0195.36R
Security knob handle set left hand with pull protection PZ92	00.0195.36L

COLORTABLE

W02	brass unlacquered ebony / matt black
W11	polished nickel ebony (interior)
W16	antique nickel ebony (interior)
W18	polished nickel ebony / polished chrome matt black
W20	antique nickel ebony / antique chrome matt black
W21	polished chrome matt black (exterior)
W25	antique chrome matt black (exterior)



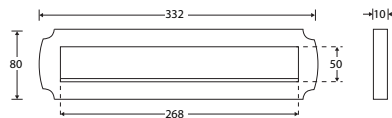
DESCRIPTION NUMBER

Letter plate Art-Nouveau

00.4004.90



W2500.4004.90



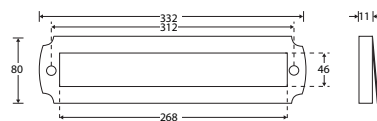
DESCRIPTION NUMBER

Draught flap Art-Nouveau with brush

00.4098.90



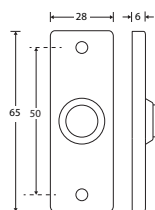
W1600.4098.90



DESCRIPTION NUMBER

Doorbell rectangular

00.4014.90



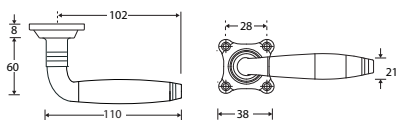
W2500.4014.90

COLORTABLE

- W02 brass unacquered ebony / matt black
- W11 polished nickel ebony (interior)
- W16 antique nickel ebony (interior)
- W18 polished nickel ebony / polished chrome matt black
- W20 antique nickel ebony / antique chrome matt black
- W21 polished chrome matt black (exterior)
- W25 antique chrome matt black (exterior)

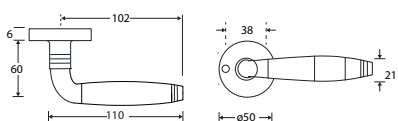


W0200.0192.46



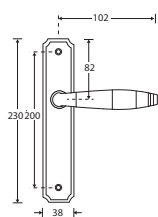
DESCRIPTION	NUMBER
Lever handle set	00.0192.46
Door handle	00.0200.45
Lever rosette	00.2532.60
Key escutcheon	00.2533.55
Euro profile escutcheon	00.2534.57
Free occupied spindle 5-8mm	00.2442.61

W0200.0196.46



DESCRIPTION	NUMBER
Lever handle set	00.0196.46
Door handle	00.0200.45
Lever rosette	00.2405.60
Key escutcheon	00.2407.56
Euro profile escutcheon	00.2408.57
Free occupied spindle 5-8mm	00.2442.61

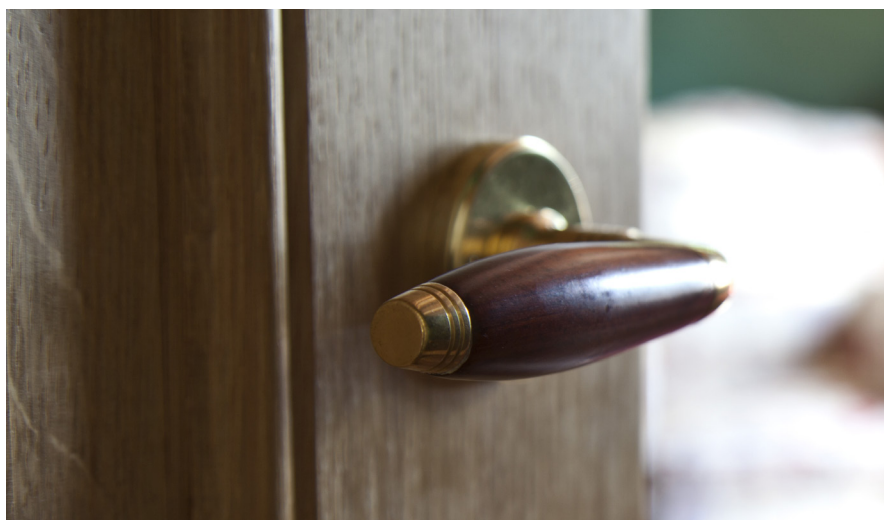
W0200.0202.01



DESCRIPTION	NUMBER
Lever handle set Blind	00.0202.01
Door handle	00.0200.45
Backplate Blind	00.2531.01
Backplate KH56	00.2531.04
Backplate KH72	00.2531.12
Backplate KH92	00.2531.14
Backplate KH110	00.2531.15
Backplate PZ55	00.2531.24
Backplate PZ72	00.2531.27
Backplate PZ92	00.2531.37
Backplate PZ110	00.2531.41
Backplate F063	00.2531.67
Backplate F072	00.2531.70
Backplate F078	00.2531.72
Free occupied spindle 5-8mm	00.2442.61

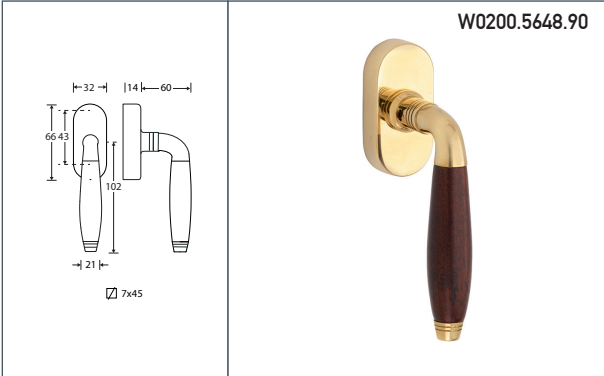
COLORTABLE

W02 brass unlacquered



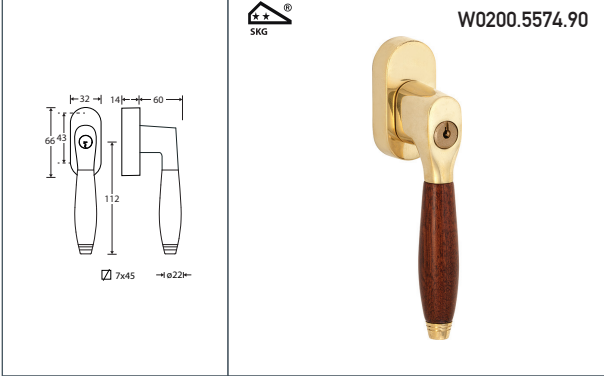
DESCRIPTION NUMBER

TT mechanism with handle 00.5648.90



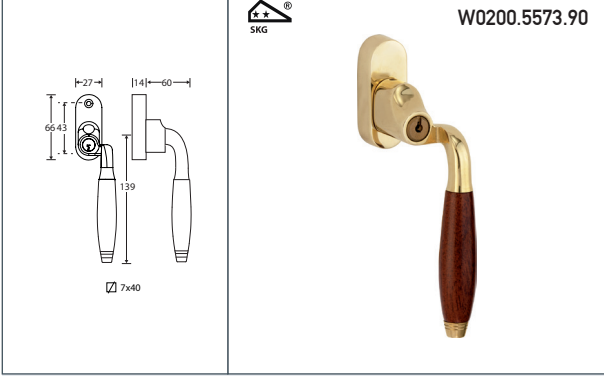
DESCRIPTION NUMBER

Security TT window handle lockable 00.5574.90



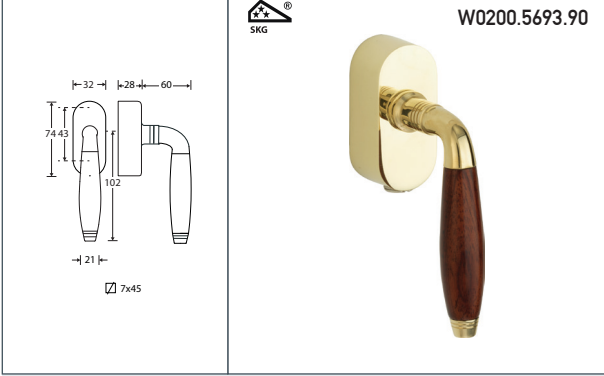
DESCRIPTION NUMBER

Security TT window handle lockable right hand 00.5573.90
Security TT window handle lockable left hand 00.5572.90



DESCRIPTION NUMBER

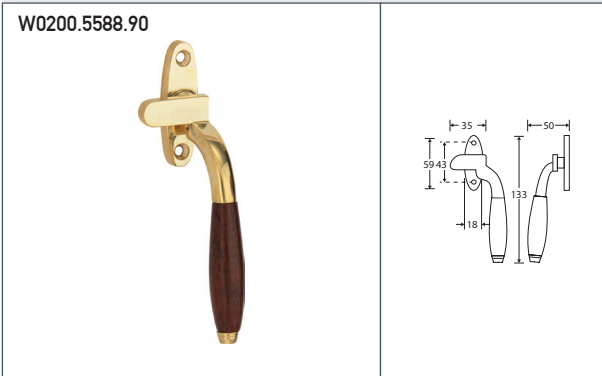
Lockable security TT mechanism with handle 00.5693.90



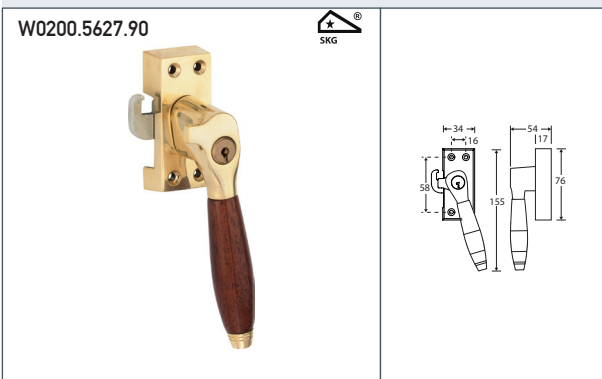
COLORTABLE

W02 brass unlacquered

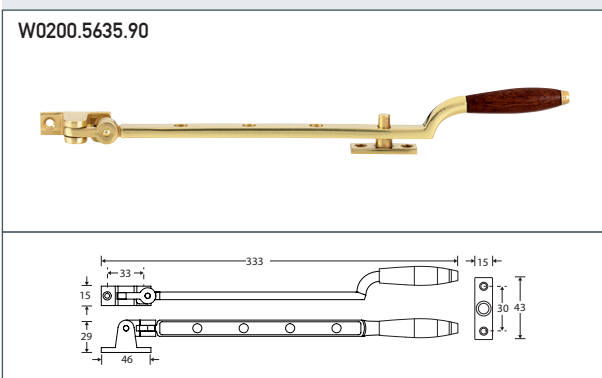




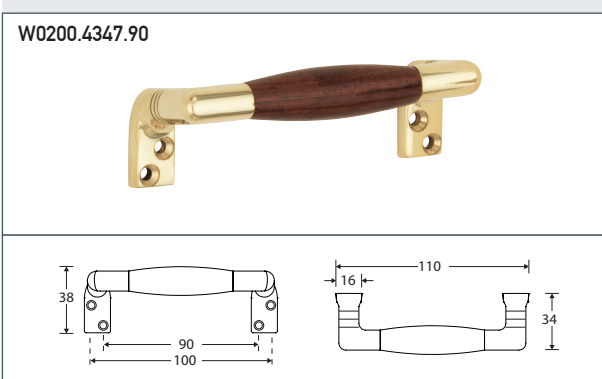
DESCRIPTION	NUMBER
Window lever handle, right hand, open to outside	00.5588.90
Window lever handle, left hand, open to outside	00.5587.90
Hasp for window lever handle, open to inside	00.9121.90
Shim 3mm tbv window handle	00.5688.90



DESCRIPTION	NUMBER
Security window fastener, right hand, open to outside	00.5627.90
Security window fastener, left hand, open to outside	00.5626.90
Shim 3mm for lockable window handle	00.5687.90
End catch for lockable window handle right hand, open to inside	00.9185.90
End catch for lockable window handle left hand, open to inside	00.9184.90



DESCRIPTION	NUMBER
Casement stay with pin	00.5635.90
Pin for casement stay	00.9187.90



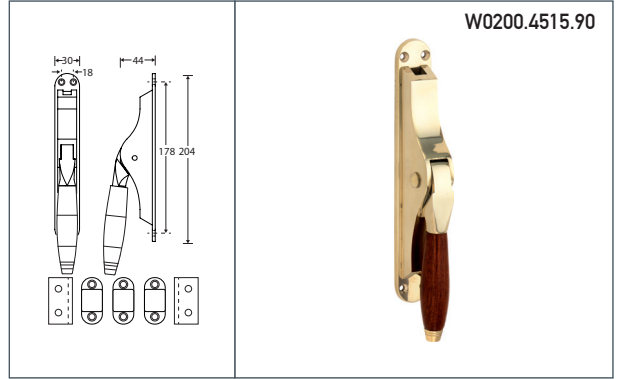
DESCRIPTION	NUMBER
Sash window handle	00.4347.90

COLORTABLE

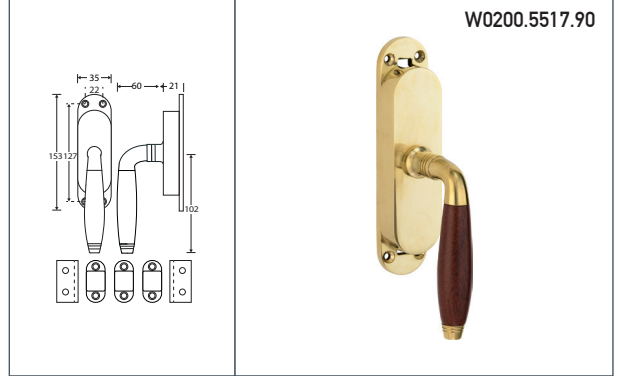
W02	brass unlacquered
-----	-------------------



DESCRIPTION	NUMBER
Pump espagnolette complete with bars	00.4515.90
Espagnolette bar elongation set oval with bar	00.5834.90
Espagnolette lock, for square bar	00.9309.90



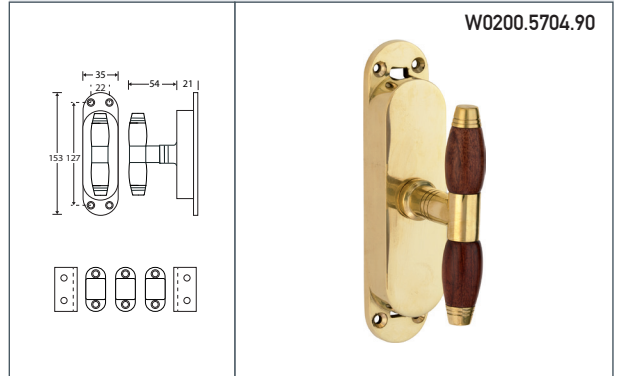
DESCRIPTION	NUMBER
Lever espagnolette complete, right hand with bars	00.5517.90
Lever espagnolette complete, left hand with bars	00.5516.90
Espagnolette bar elongation set oval with bar	00.5834.90
Espagnolette lock, for square bar	00.9309.90



DESCRIPTION	NUMBER
Lever espagnolette complete lockable, right hand	00.5717.90
Lever espagnolette complete lockable, left hand	00.5666.90
Espagnolette bar elongation set oval with bar	00.5834.90
Espagnolette lock, for square bar	00.9309.90




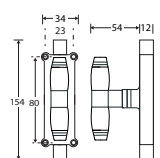
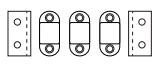
DESCRIPTION	NUMBER
Lever espagnolette T complete, with bars	00.5704.90
Espagnolette bar elongation set oval with bar	00.5834.90
Espagnolette lock, for square bar	00.9309.90



COLORTABLE


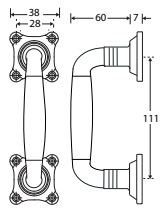
W02 brass unlacquered

W0200.5691.90


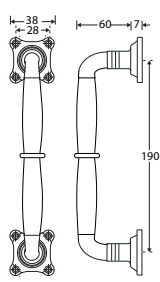
DESCRIPTION	NUMBER
Lever espagnolette T complete, with halfround bars	00.5691.90

W0200.4320.90


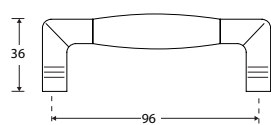
DESCRIPTION	NUMBER
Pull handle	00.4320.90

W0200.4321.90

DESCRIPTION	NUMBER
Pull handle	00.4321.90

W0200.8067.90

DESCRIPTION	NUMBER
Furniture handle	00.8067.90

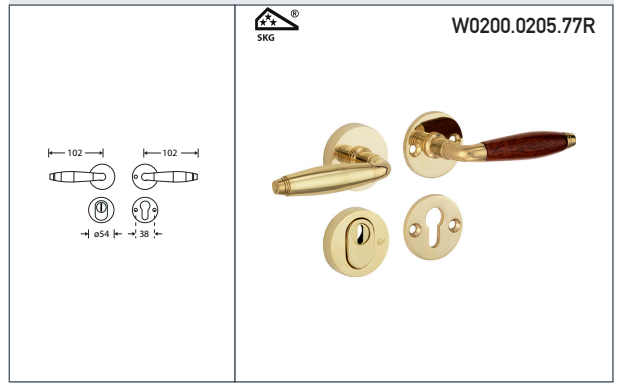
COLORTABLE

W02	brass unlacquered
-----	-------------------



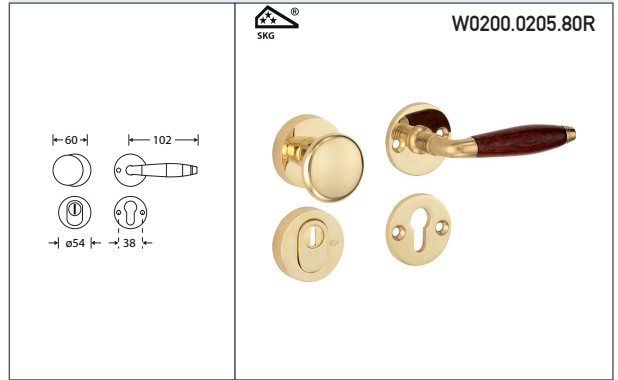
DESCRIPTION **NUMBER**

Security lever handle set right hand with pull protection	00.0205.77R
Security lever handle set left hand with pull protection	00.0205.77L



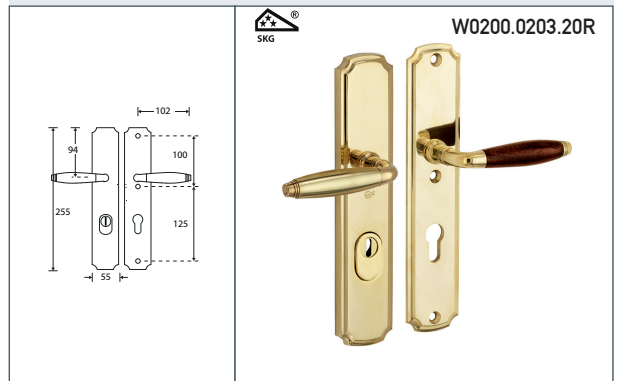
DESCRIPTION **NUMBER**

Security knob handle set right hand with pull protection	00.0205.80R
Security knob handle set left hand with pull protection	00.0205.80L



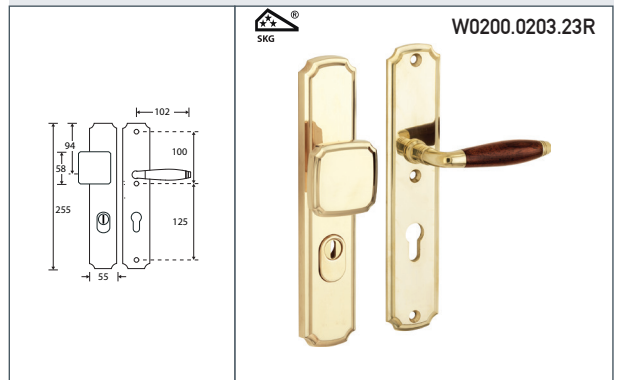
DESCRIPTION **NUMBER**

Security lever handle set right hand with pull protection PZ72	00.0203.20R
Security lever handle set left hand with pull protection PZ72	00.0203.20L
Security lever handle set right hand with pull protection PZ55	00.0203.07R
Security lever handle set left hand with pull protection PZ55	00.0203.07L
Security lever handle set right hand with pull protection PZ92	00.0203.33R
Security lever handle set left hand with pull protection PZ92	00.0203.33L



DESCRIPTION **NUMBER**

Security knob handle set right hand with pull protection PZ72	00.0203.23R
Security knob handle set left hand with pull protection PZ72	00.0203.23L
Security knob handle set right hand with pull protection PZ55	00.0203.10R
Security knob handle set left hand with pull protection PZ55	00.0203.10L
Security knob handle set right hand with pull protection PZ92	00.0203.36R
Security knob handle set left hand with pull protection PZ92	00.0203.36L

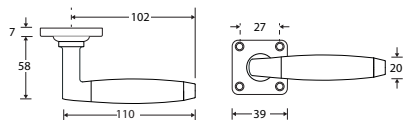


COLORTABLE

W02	brass unlacquered
-----	-------------------

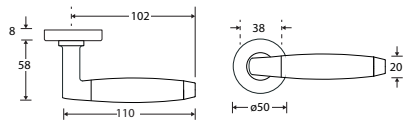


W1600.0139.46



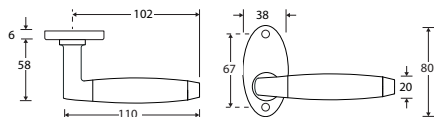
DESCRIPTION	Ω	NUMBER
Lever handle set		00.0139.46
Lever handle set	with spring	00.0139.50
Door handle		00.0030.45
Lever rosette		00.2422.60
Lever rosette	with spring	00.2422.62
Key escutcheon		00.2423.55
Euro profile escutcheon		00.2424.57
Free occupied spindle 5-8mm		00.2442.61

W2300.0140.46



DESCRIPTION	Ω	NUMBER
Lever handle set		00.0140.46
Lever handle set	with spring	00.0140.50
Door handle		00.0030.45
Lever rosette		00.2417.60
Lever rosette	with spring	00.2417.62
Key escutcheon		00.2419.56
Euro profile escutcheon		00.2420.57
Free occupied set 5-8 mm		00.2444.61

W1100.0141.46



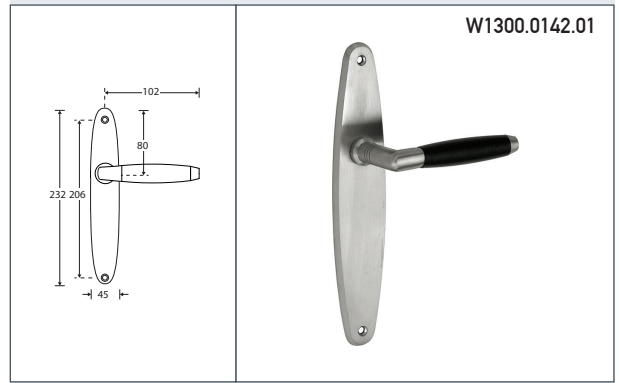
DESCRIPTION	Ω	NUMBER
Lever handle set		00.0141.46
Door handle		00.0030.45
Patent rosette		00.2432.60

COLORTABLE

W01	brass lacquered ebony
W02	brass unlacquered ebony
W05	brass antique ebony
W11	polished nickel ebony
W13	satin nickel unlacquered ebony
W16	antique nickel ebony
W23	satin chrome ebony

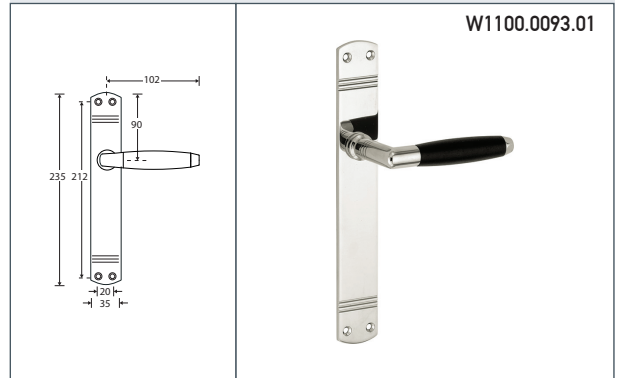


DESCRIPTION	NUMBER
Lever handle set Blind	00.0142.01
Door handle	00.0030.45
Backplate Blind	00.2530.01
Backplate KH56	00.2530.04
Backplate KH72	00.2530.12
Backplate KH92	00.2530.14
Backplate PZ55	00.2530.24
Backplate PZ72	00.2530.27
Backplate PZ92	00.2530.37
Backplate F063	00.2530.67
Backplate F072	00.2530.70
Backplate F078	00.2530.72
Free occupied spindle 5-8mm	00.2442.61



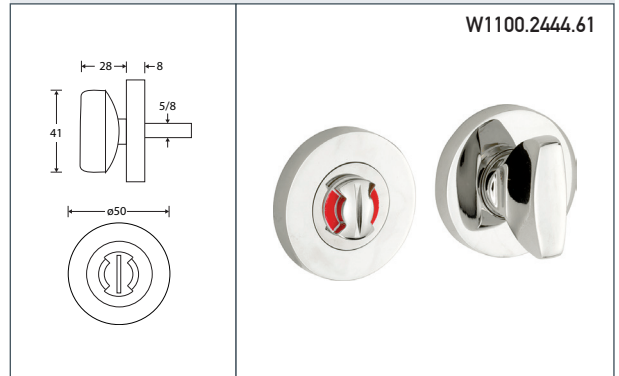
W1300.0142.01

DESCRIPTION	NUMBER
Lever handle set Blind	00.0093.01
Door handle	00.0030.45
Backplate Blind	00.2453.01
Backplate KH56	00.2453.04
Backplate KH72	00.2453.12
Backplate KH92	00.2453.14
Backplate PZ55	00.2453.24
Backplate PZ72	00.2453.27
Backplate PZ92	00.2453.37
Backplate F063	00.2453.67
Backplate F072	00.2453.70
Backplate F078	00.2453.72
Free occupied spindle 5-8mm	00.2442.61



W1100.0093.01

DESCRIPTION	NUMBER
Free occupied set 5-8 mm	00.2444.61


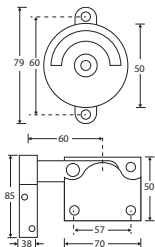


W1100.2444.61

COLORTABLE


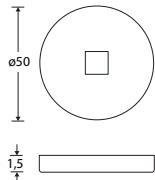
W01	brass lacquered ebony
W02	brass unlacquered ebony
W05	brass antique ebony
W11	polished nickel ebony
W13	satin nickel unlacquered ebony
W16	antique nickel ebony
W23	satin chrome ebony

W1100.2446.90


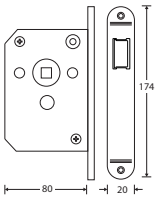
DESCRIPTION	NUMBER
Vacant occupied throwover catch flat, complete red / green	00.2446.90
Vacant occupied throwover catch with elbow, complete red / green	00.2447.90
Enamel disk vacant / occupied throwover catch vacant / occupied	W0000.9149.90

W0000.9149.90

DESCRIPTION	NUMBER
Enamel disk vacant / occupied throwover catch vacant / occupied	W0000.9149.90
Enamel disk vacant / occupied throwover catch vrij / bezet	W0000.9026.90
Enamel disk vacant / occupied throwover catch libre / occupe	W0000.9027.90
Enamel disk vacant / occupied throwover catch frei / besetzt	W0000.9107.90

W1100.9300.90

DESCRIPTION	NUMBER
Mortice latch lock	00.9300.90
Mortice cabinet lock KH	00.9301.55
Mortice cabinet lock PZ	00.9302.57
Mortice toilet lock 63-8mm	00.9303.67
Mortice sash lock KH56	00.9304.55
Mortice sash lock PZ55	00.9305.57

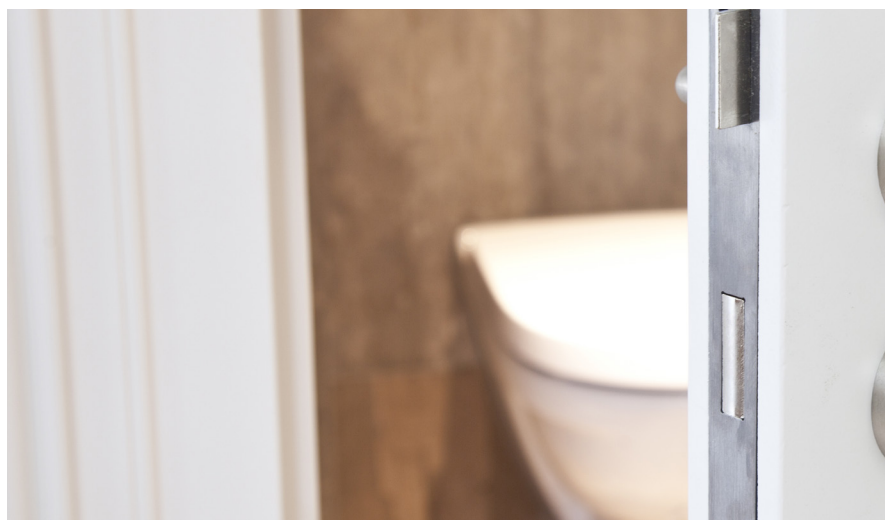
W1100.5671.90



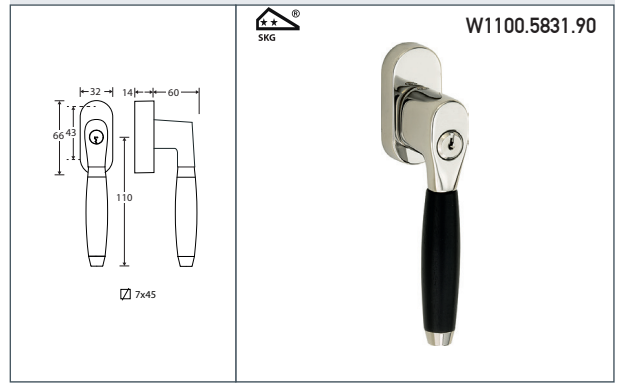

DESCRIPTION	NUMBER
TT mechanism with handle	00.5671.90

COLORTABLE

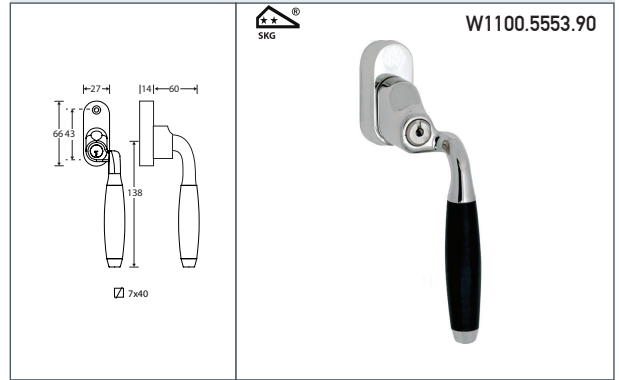
W01	brass lacquered ebony
W02	brass unlacquered ebony
W05	brass antique ebony
W11	polished nickel ebony
W13	satin nickel unlacquered ebony
W16	antique nickel ebony
W23	satin chrome ebony



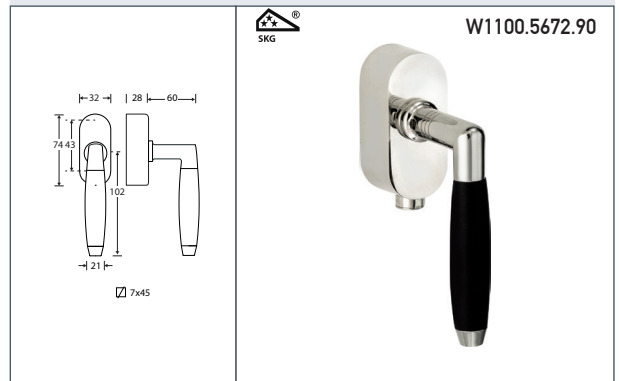
DESCRIPTION	NUMBER
Security TT window handle lockable	00.5831.90



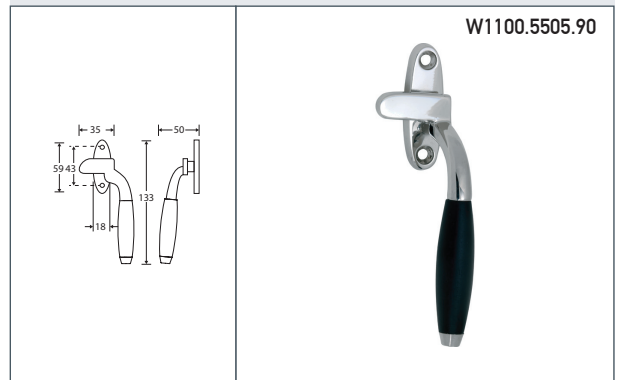
DESCRIPTION	NUMBER
Security TT window handle lockable right hand	00.5553.90
Security TT window handle lockable left hand	00.5552.90



DESCRIPTION	NUMBER
Security TT window handle lockable	00.5672.90

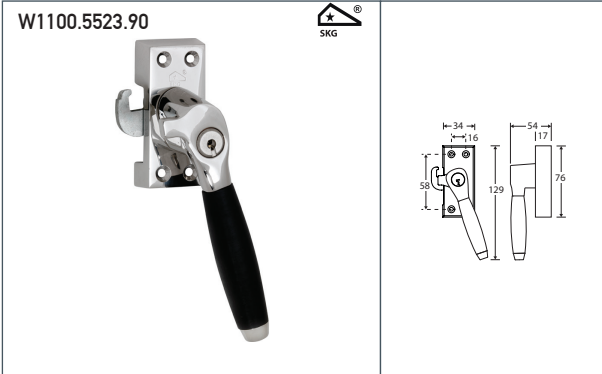


DESCRIPTION	NUMBER
Window lever handle, right hand, open to outside	00.5505.90
Window lever handle, left hand, open to outside	00.5504.90
Hasp for window lever handle, open to inside	00.9121.90
Shim 3mm tbv window handle	00.5688.90

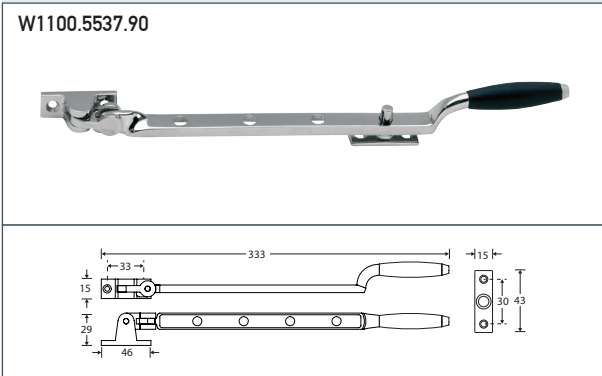


COLORTABLE

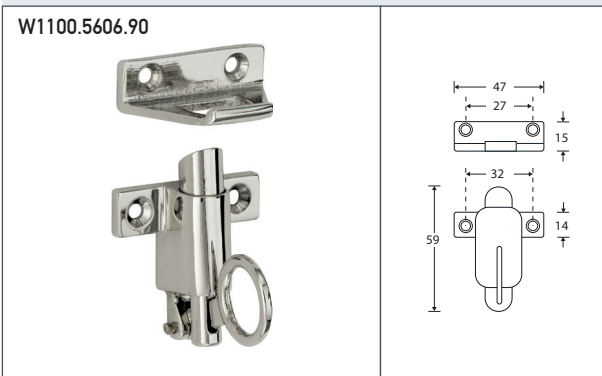
W01	brass lacquered ebony
W02	brass unlacquered ebony
W05	brass antique ebony
W11	polished nickel ebony
W13	satın nickel unlacquered ebony
W16	antique nickel ebony
W23	satın chrome ebony



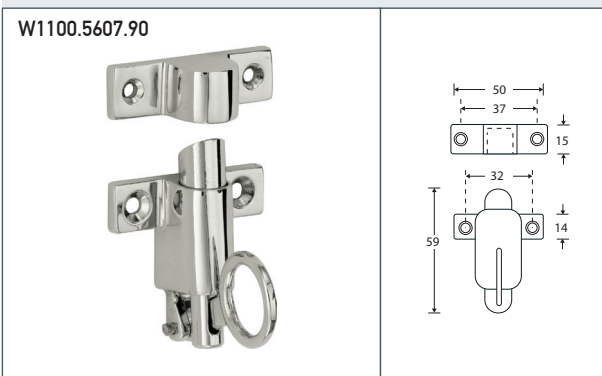
DESCRIPTION	NUMBER
Security window fastener, right hand, open to outside	00.5523.90
Security window fastener, left hand, open to outside	00.5522.90
Shim 3mm for lockable window handle	00.5687.90
End catch for lockable window handle right hand, open to inside	00.9185.90
End catch for lockable window handle left hand, open to inside	00.9184.90



DESCRIPTION	NUMBER
Casement stay with pin	00.5537.90
Pin for casement stay	00.9187.90



DESCRIPTION	NUMBER
Fanlight catch with strike plate	00.5606.90

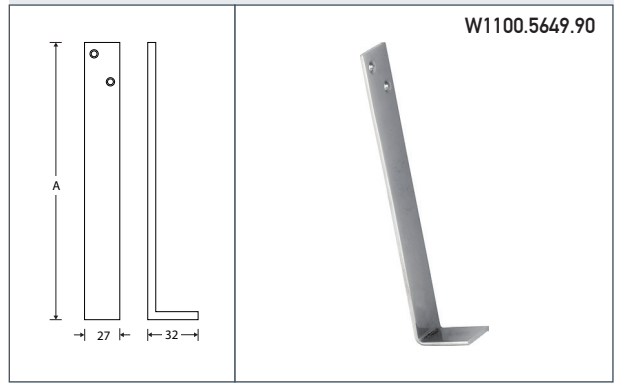


DESCRIPTION	NUMBER
Fanlight catch with end catch	00.5607.90

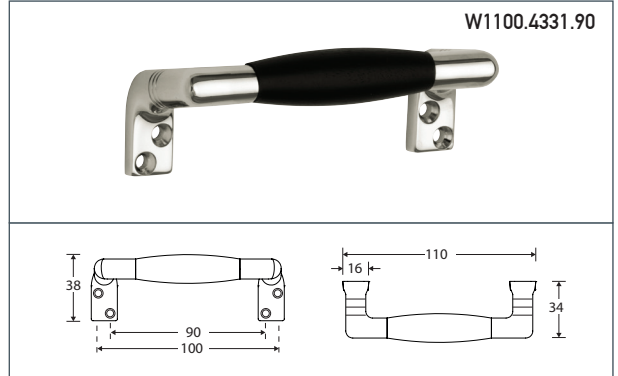
COLORTABLE

W01	brass lacquered ebony
W02	brass unlacquered ebony
W05	brass antique ebony
W11	polished nickel ebony
W13	satin nickel unlacquered ebony
W16	antique nickel ebony
W23	satin chrome ebony

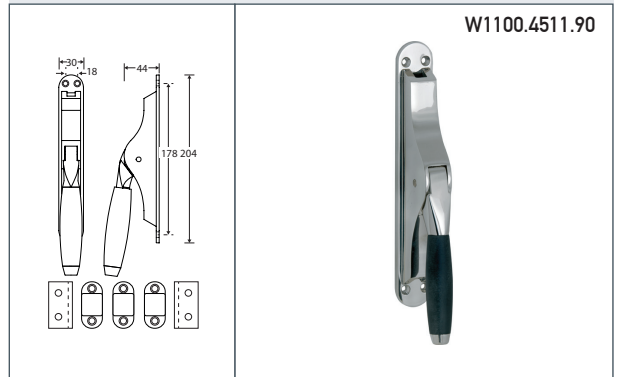
DESCRIPTION	A	NUMBER
Window limiter	160 mm	00.5649.90
Window limiter	180 mm	00.5650.90



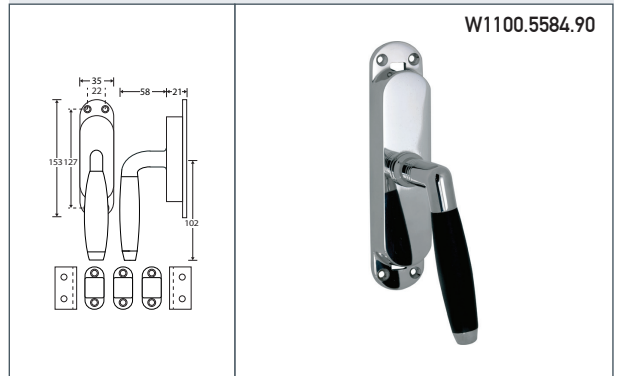
DESCRIPTION	NUMBER
Sash window handle	00.4331.90



DESCRIPTION	NUMBER
Pump espagnolette complete with bars	00.4511.90
Espagnolette bar elongation set oval with bar	00.5834.90
Espagnolette lock, for square bar	00.9309.90



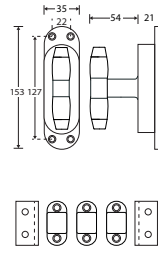
DESCRIPTION	NUMBER
Lever espagnolette complete, right hand with bars	00.5584.90
Lever espagnolette complete, left hand with bars	00.5583.90
Espagnolette bar elongation set oval with bar	00.5834.90
Espagnolette lock, for square bar	00.9309.90



COLORTABLE

W01	brass lacquered ebony
W02	brass unlacquered ebony
W05	brass antique ebony
W11	polished nickel ebony
W13	satın nickel unlacquered ebony
W16	antique nickel ebony
W23	satın chrome ebony

W1100.5590.90



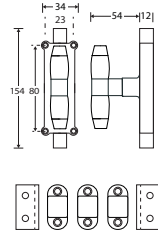
DESCRIPTION

Lever espagnolette T complete, with bars
Espagnolette bar elongation set oval with bar
Espagnolette lock, for square bar

NUMBER

00.5590.90
00.5834.90
00.9309.90

W1100.5595.90



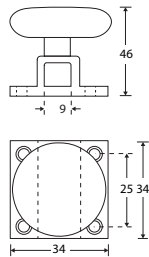
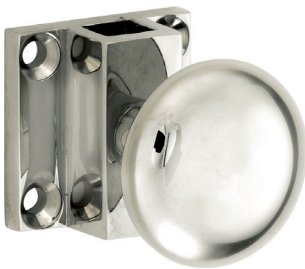
DESCRIPTION

Lever espagnolette complete, T with halfround bars

NUMBER

00.5595.90

W1100.4560.90



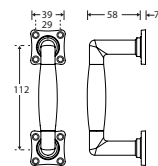
DESCRIPTION

Espagnolette pull knob for square bar

NUMBER

00.4560.90

W1100.4303.90



DESCRIPTION

Pull handle on square rosette

NUMBER

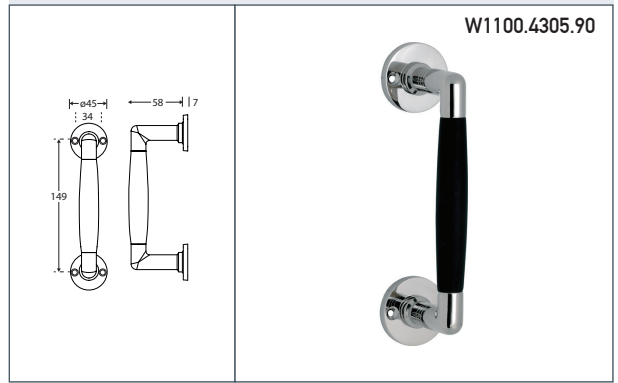
00.4303.90

COLORTABLE

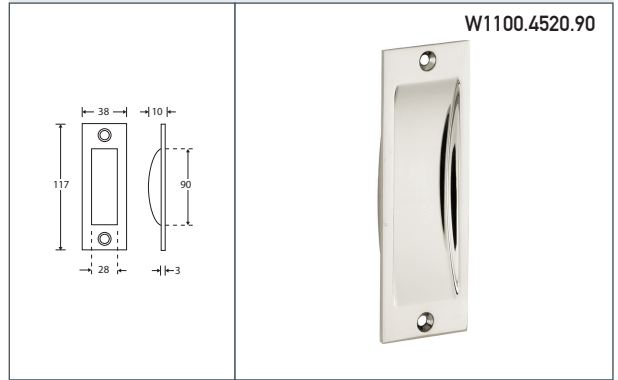
W01	brass lacquered ebony
W02	brass unlacquered ebony
W05	brass antique ebony
W11	polished nickel ebony
W13	satin nickel unlacquered ebony
W16	antique nickel ebony
W23	satin chrome ebony



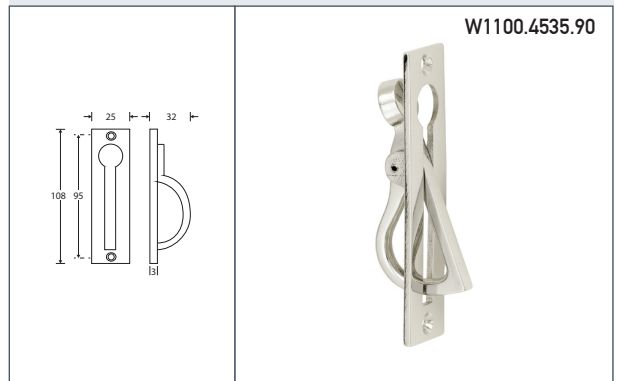
DESCRIPTION	NUMBER
Pull handle on round rosette	00.4305.90



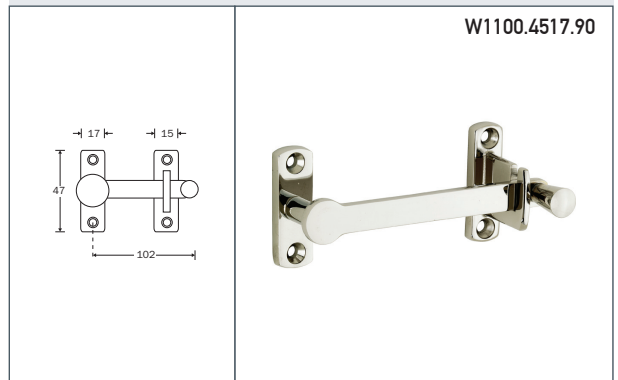
DESCRIPTION	NUMBER
Flush handle	00.4520.90



DESCRIPTION	NUMBER
Sliding door pull ring	00.4535.90



DESCRIPTION	NUMBER
Sliding door throwover catch	00.4517.90

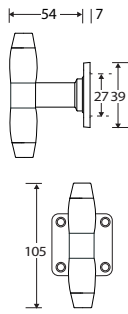


COLORTABLE

W01	brass lacquered ebony
W02	brass unlacquered ebony
W05	brass antique ebony
W11	polished nickel ebony
W13	satin nickel unlacquered ebony
W16	antique nickel ebony
W23	satin chrome ebony


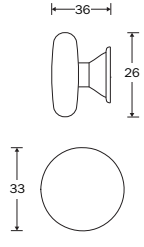


W1100.4322.90


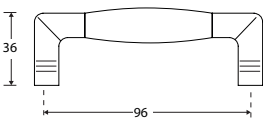
DESCRIPTION	NUMBER
Big cupboard knob with screw holes	00.4322.90

W9570.8003.90


DESCRIPTION	NUMBER
Furniture knob ebony	W9570.8003.90

W1100.8041.90

DESCRIPTION	NUMBER
Furniture handle	00.8041.90

W1100.6916.90



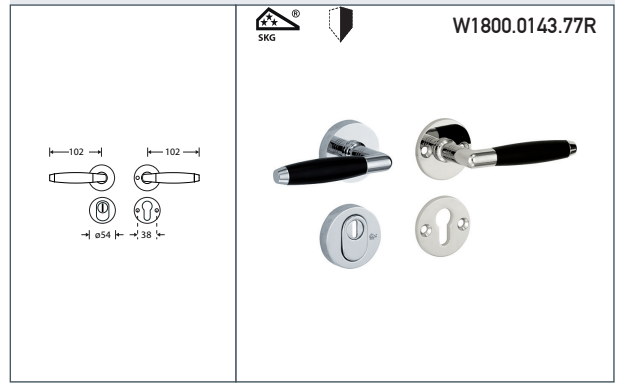

DESCRIPTION	NUMBER
Handrail bracket for round rail, concealed M8	00.6916.90
Handrail bracket for round rail, with screw holes	00.6924.90
Handrail bracket for flat rail, concealed M8	00.6918.90
Handrail bracket for flat rail, with screw holes	00.6917.90

COLORTABLE

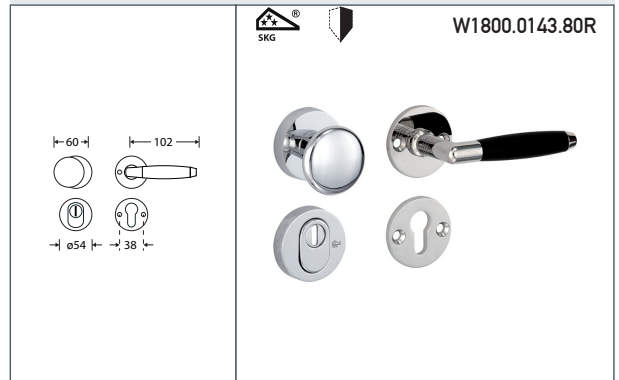
- W01 brass lacquered ebony
- W02 brass unlacquered ebony
- W05 brass antique ebony
- W11 polished nickel ebony
- W13 satin nickel unlacquered ebony
- W16 antique nickel ebony
- W23 satin chrome ebony



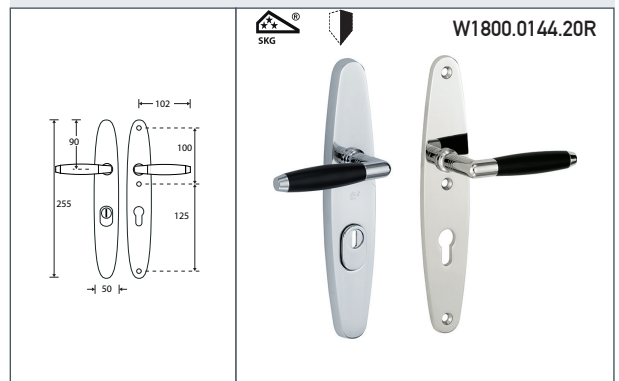
DESCRIPTION	NUMBER
Security lever handle set right hand with pull protection	00.0143.77R
Security lever handle set left hand with pull protection	00.0143.77L



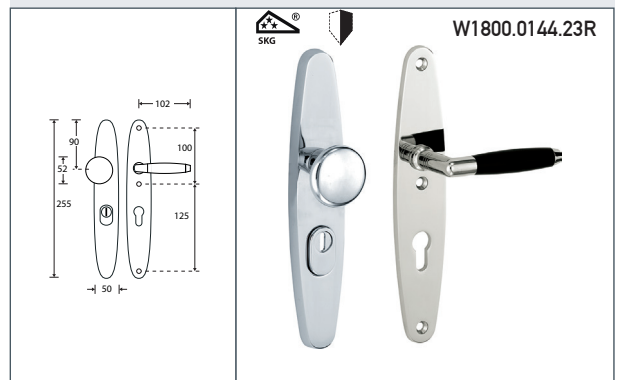
DESCRIPTION	NUMBER
Security knob handle set right hand with pull protection	00.0143.80R
Security knob handle set left hand with pull protection	00.0143.80L



DESCRIPTION	NUMBER
Security lever handle set right hand with pull protection PZ72	00.0144.20R
Security lever handle set left hand with pull protection PZ72	00.0144.20L
Security lever handle set right hand with pull protection PZ55	00.0144.07R
Security lever handle set left hand with pull protection PZ55	00.0144.07L
Security lever handle set right hand with pull protection PZ92	00.0144.33R
Security lever handle set left hand with pull protection PZ92	00.0144.33L



DESCRIPTION	NUMBER
Security knob handle set right hand with pull protection PZ72	00.0144.23R
Security knob handle set left hand with pull protection PZ72	00.0144.23L
Security knob handle set right hand with pull protection PZ55	00.0144.10R
Security knob handle set left hand with pull protection PZ55	00.0144.10L
Security knob handle set right hand with pull protection PZ92	00.0144.36R
Security knob handle set left hand with pull protection PZ92	00.0144.36L

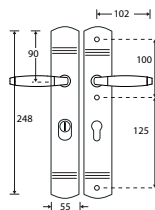


COLORTABLE

W02	brass unlacquered ebony / matt black
W05	brass antique ebony / matt black
W07	brass lacquered ebony / brass PVD matt black
W18	polished nickel ebony / polished chrome matt black
W19	satın nickel lacquered ebony / satın nickel PVD matt black
W20	antique nickel ebony / antique chrome matt black
W23	satın chrome ebony / matt black



W1800.0145.20R

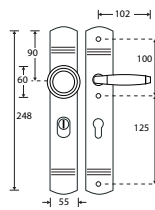


DESCRIPTION

NUMBER

Security lever handle set right hand with pull protection PZ72	00.0145.20R
Security lever handle set left hand with pull protection PZ72	00.0145.20L
Security lever handle set right hand with pull protection PZ55	00.0145.07R
Security lever handle set left hand with pull protection PZ55	00.0145.07L
Security lever handle set right hand with pull protection PZ92	00.0145.33R
Security lever handle set left hand with pull protection PZ92	00.0145.33L

W1800.0145.23R



DESCRIPTION

NUMBER

Security knob handle set right hand with pull protection PZ72	00.0145.23R
Security knob handle set left hand with pull protection PZ72	00.0145.23L
Security knob handle set right hand with pull protection PZ55	00.0145.10R
Security knob handle set left hand with pull protection PZ55	00.0145.10L
Security knob handle set right hand with pull protection PZ92	00.0145.36R
Security knob handle set left hand with pull protection PZ92	00.0145.36L

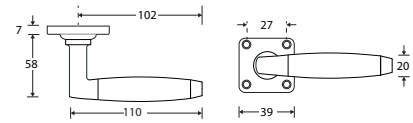
COLORTABLE

W02	brass unlacquered ebony / matt black
W05	brass antique ebony / matt black
W07	brass lacquered ebony / brass PVD matt black
W18	polished nickel ebony / polished chrome matt black
W19	satin nickel lacquered ebony / satin nickel PVD matt black
W20	antique nickel ebony / antique chrome matt black
W23	satin chrome ebony / matt black



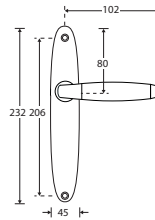
DESCRIPTION	Ω	NUMBER
Lever handle set		00.0149.46
Lever handle set	with spring	00.0149.50
Door handle		00.0029.45
Lever rosette		00.2422.60
Lever rosette	with spring	00.2422.62
Key escutcheon		00.2423.55
Euro profile escutcheon		00.2424.57
Free occupied spindle 5-8mm		00.2442.61

W3000.0149.46



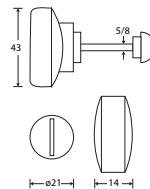
DESCRIPTION	NUMBER
Lever handle set Blind	00.0150.01
Door handle	00.0029.45
Backplate Blind	00.2530.01
Backplate KH56	00.2530.04
Backplate KH72	00.2530.12
Backplate KH92	00.2530.14
Backplate PZ55	00.2530.24
Backplate PZ72	00.2530.27
Backplate PZ92	00.2530.37
Backplate F063	00.2530.67
Backplate F072	00.2530.70
Backplate F078	00.2530.72
Free occupied spindle 5-8mm	00.2442.61

W3000.0150.01



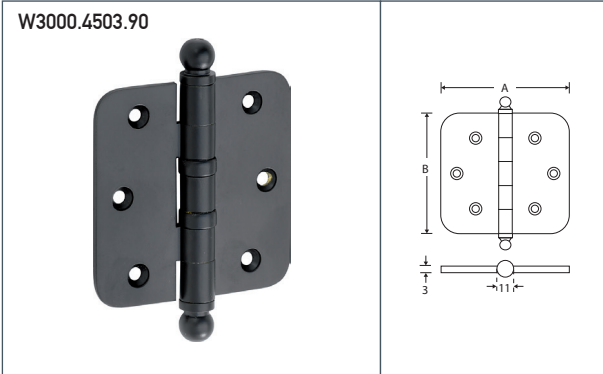
DESCRIPTION	NUMBER
Free occupied spindle 5-8mm	00.2442.61

W3000.2442.61

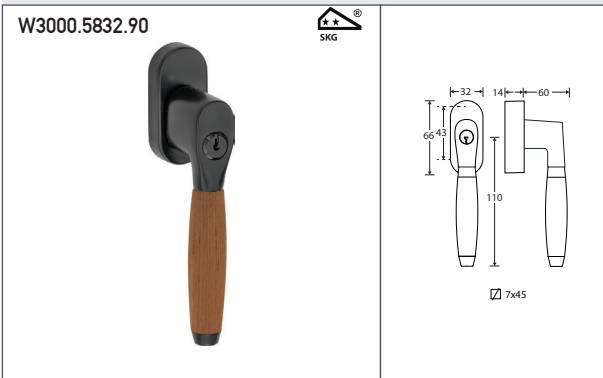


COLORTABLE

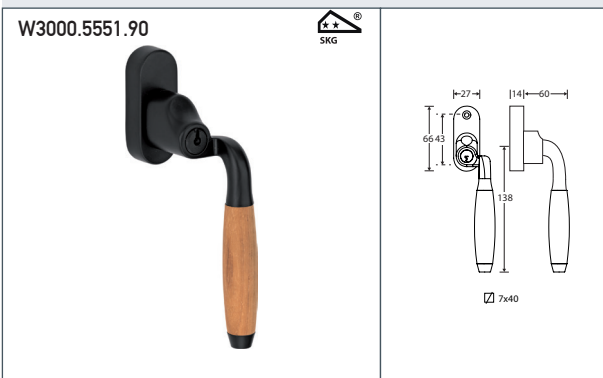
W30 matt black teak



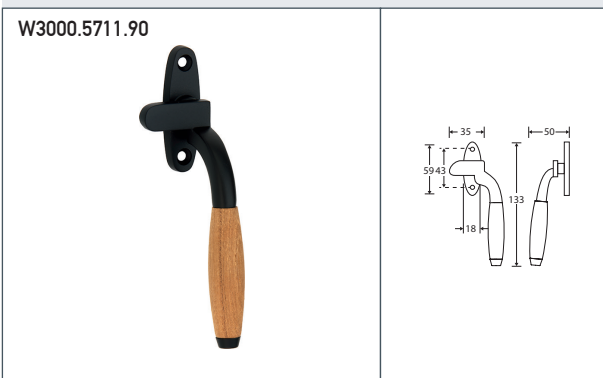
DESCRIPTION	A	B	NUMBER
Ball bearing hinge round corner ball	76 mm	76 mm	00.4503.90
Ball bearing hinge round corner ball	89 mm	89 mm	00.4504.90
Ball bearing hinge straight corner ball	76 mm	76 mm	00.4563.90
Ball bearing hinge straight corner ball	89 mm	89 mm	00.4564.90



DESCRIPTION	NUMBER
Security TT window handle lockable	00.5832.90



DESCRIPTION	NUMBER
Security TT window handle lockable right hand	00.5551.90
Security TT window handle lockable left hand	00.5550.90



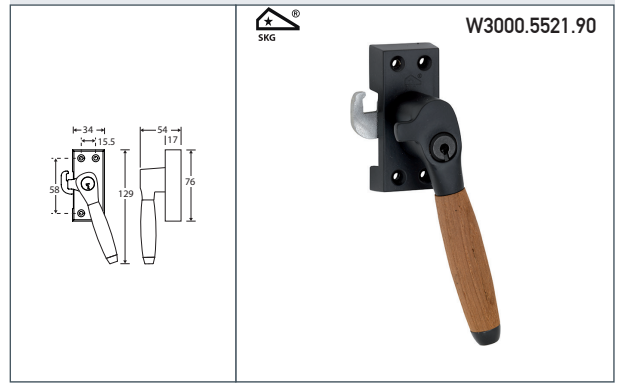
DESCRIPTION	NUMBER
Window lever handle, right hand, open to outside	00.5711.90
Window lever handle, left hand, open to outside	00.5710.90
Hasp for window lever handle, open to inside	00.9121.90
Shim 3mm tbv window handle	00.5688.90

COLORTABLE

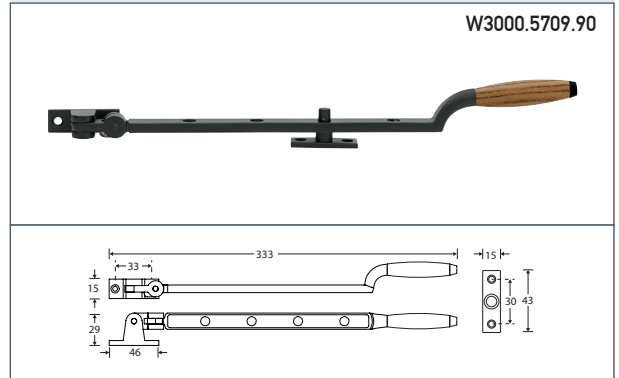
W30	matt black teak
-----	-----------------



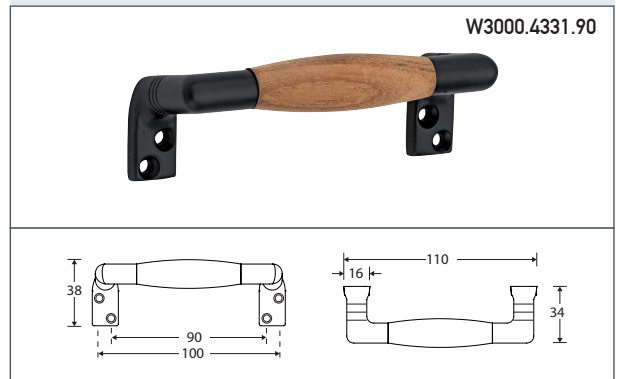
DESCRIPTION	NUMBER
Security window fastener, right hand, open to outside	00.5521.90
Security window fastener, left hand, open to outside	00.5520.90
Shim 3mm for lockable window handle	00.5687.90
End catch for lockable window handle right hand, open to inside	00.9185.90
End catch for lockable window handle left hand, open to inside	00.9184.90



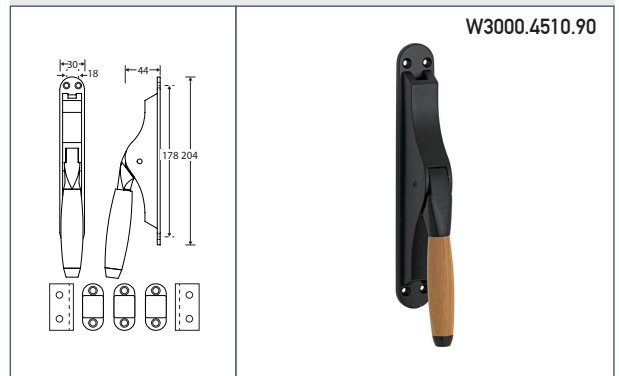
DESCRIPTION	NUMBER
Casement stay with pin	00.5709.90
Pin for casement stay	00.9187.90



DESCRIPTION	NUMBER
Sash window handle	00.4331.90

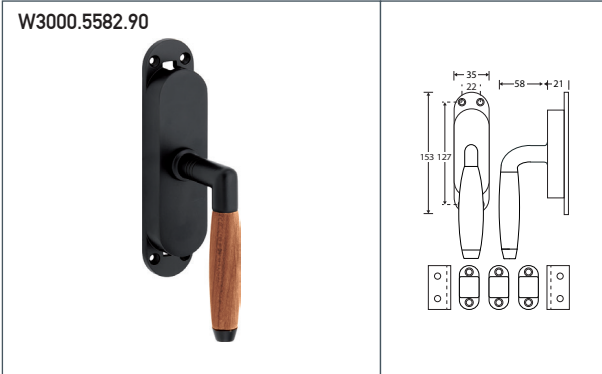


DESCRIPTION	NUMBER
Pump espagnolette complete with bars	00.4510.90
Espagnolette bar elongation set oval with bar	00.5834.90
Espagnolette lock, for square bar	00.9309.90

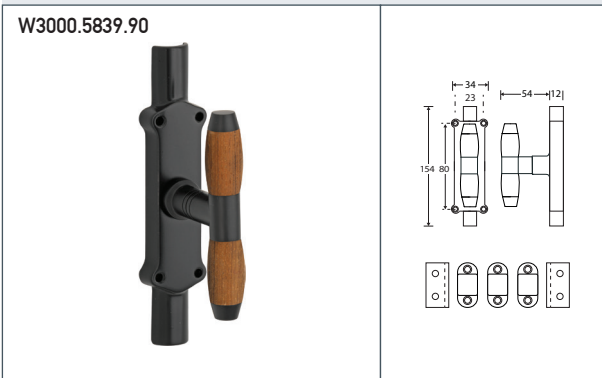


COLORTABLE

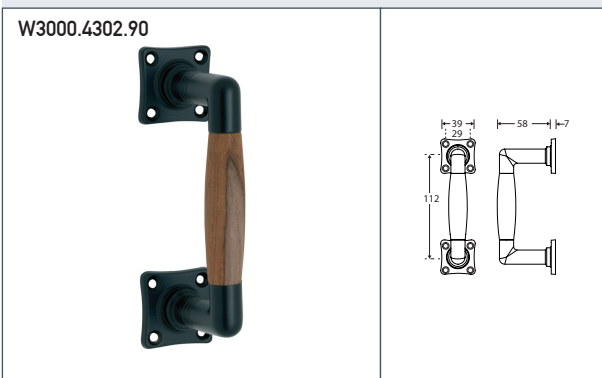
W30 matt black teak



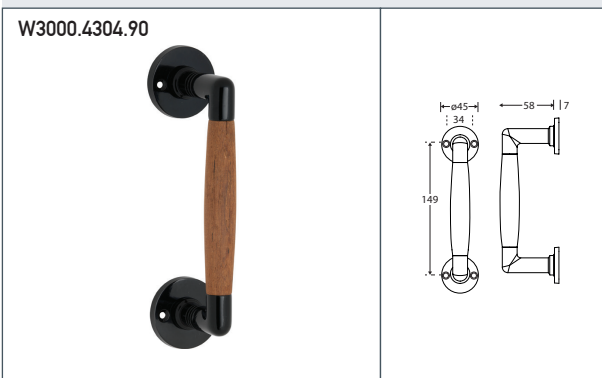
DESCRIPTION	NUMBER
Lever espagnolette complete, right hand with bars	00.5582.90
Lever espagnolette complete, left hand with bars	00.5581.90
Espagnolette bar elongation set oval with bar	00.5834.90
Espagnolette lock, for square bar	00.9309.90



DESCRIPTION	NUMBER
Lever espagnolette T complete, with halfround bars	00.5839.90



DESCRIPTION	NUMBER
Pull handle on square rosette	00.4302.90



DESCRIPTION	NUMBER
Pull handle on round rosette	00.4304.90

COLORTABLE

W30	matt black teak
-----	-----------------



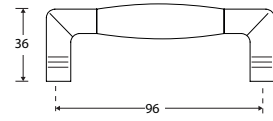
DESCRIPTION

NUMBER

Furniture handle

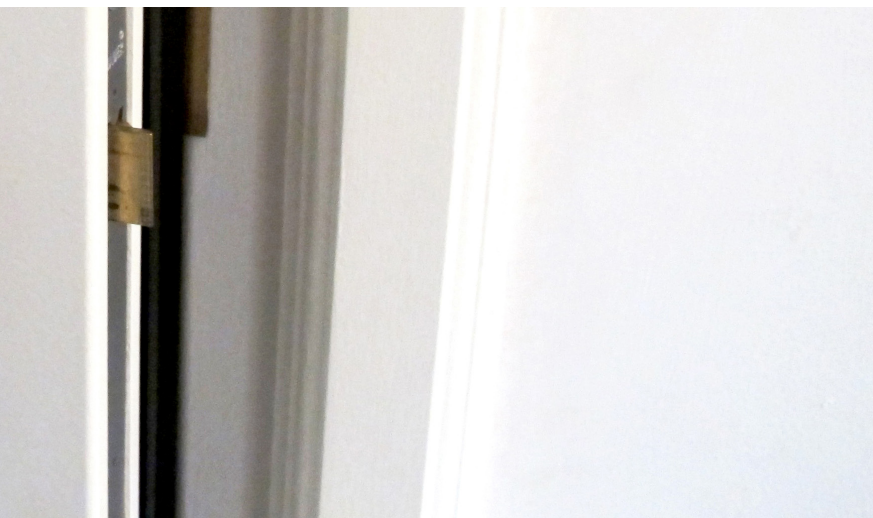
00.8040.90

W3000.8040.90

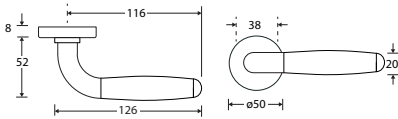


COLORTABLE

W30 matt black teak

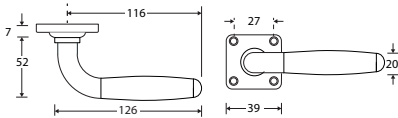


W1100.0184.46



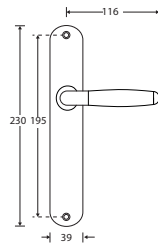
DESCRIPTION	Ω	NUMBER
Lever handle set		00.0184.46
Lever handle set	with spring	00.0184.50
Door handle		00.0182.45
Lever rosette		00.2417.60
Lever rosette	with spring	00.2417.62
Key escutcheon		00.2419.56
Euro profile escutcheon		00.2420.57
Free occupied spindle 5-8mm		00.2442.61

W1100.0183.46



DESCRIPTION	Ω	NUMBER
Lever handle set		00.0183.46
Lever handle set	with spring	00.0183.50
Door handle		00.0182.45
Lever rosette		00.2422.60
Lever rosette	with spring	00.2422.62
Key escutcheon		00.2423.55
Euro profile escutcheon		00.2424.57
Free occupied spindle 5-8mm		00.2442.61

W1300.0119.01



DESCRIPTION	NUMBER
Lever handle set Blind	00.0119.01
Door handle	00.0182.45
Backplate Blind	00.2455.01
Backplate KH56	00.2455.04
Backplate KH72	00.2455.12
Backplate KH92	00.2455.14
Backplate KH110	00.2455.15
Backplate PZ55	00.2455.24
Backplate PZ72	00.2455.27
Backplate PZ92	00.2455.37
Backplate PZ110	00.2455.41
Backplate F063	00.2455.67
Backplate F072	00.2455.70
Backplate F078	00.2455.72
Free occupied spindle 5-8mm	00.2442.61

COLORTABLE

W11	polished nickel
W13	satin nickel unlacquered



DESCRIPTION	NUMBER
TT mechanism with handle	00.5731.90

--	--

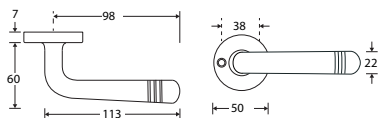
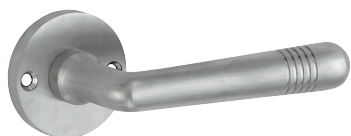
✔ **W1300.5731.90**



COLORTABLE

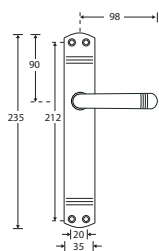
W11	polished nickel
W13	satın nickel unlacquered

W1300.0243.46



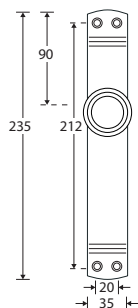
DESCRIPTION	NUMBER
Lever handle set	00.0243.46
Door handle	00.0023.45
Lever rosette	00.2413.60
Key escutcheon	00.2415.56
Euro profile escutcheon	00.2416.57
Free occupied spindle 5-8mm	00.2443.61

W0100.0151.01



DESCRIPTION	NUMBER
Lever handle set Blind	00.0151.01
Door handle	00.0023.45
Backplate Blind	00.2453.01
Backplate KH56	00.2453.04
Backplate KH72	00.2453.12
Backplate KH92	00.2453.14
Backplate PZ55	00.2453.24
Backplate PZ72	00.2453.27
Backplate PZ92	00.2453.37
Backplate F063	00.2453.67
Backplate F072	00.2453.70
Backplate F078	00.2453.72
Free occupied spindle 5-8mm	00.2443.61

W2100.0052.01



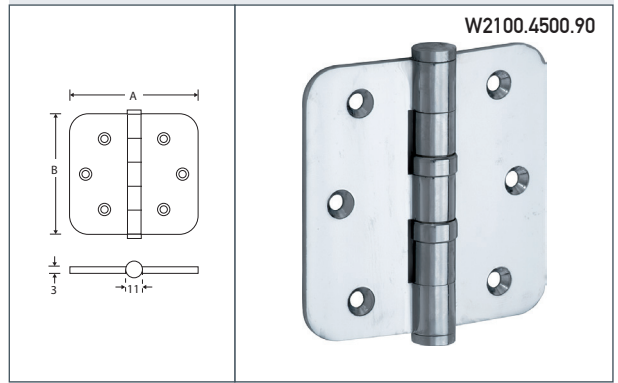
DESCRIPTION	NUMBER
Knob handle set Blind	00.0052.01
Knob handle set	00.0178.45
Backplate Blind	00.2453.01
Backplate KH56	00.2453.04
Backplate KH72	00.2453.12
Backplate KH92	00.2453.14
Backplate PZ55	00.2453.24
Backplate PZ72	00.2453.27
Backplate PZ92	00.2453.37
Backplate F063	00.2453.67
Backplate F072	00.2453.70
Backplate F078	00.2453.72
Free occupied spindle 5-8mm	00.2443.61

COLORTABLE

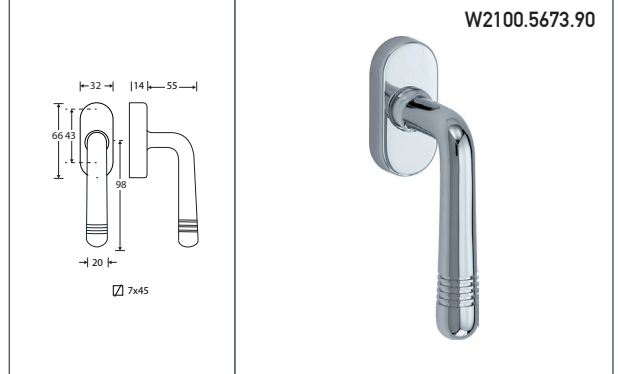
W01	brass lacquered
W11	polished nickel
W13	satin nickel unlacquered
W21	polished chrome



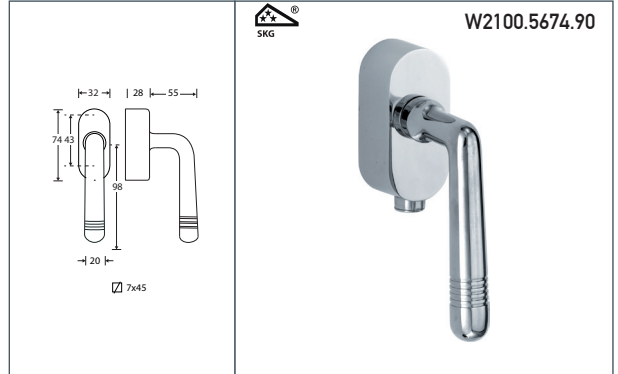
DESCRIPTION	A	B	NUMBER
Ball bearing hinge round corner flat	76 mm	76 mm	00.4500.90
Ball bearing hinge round corner flat	89 mm	89 mm	00.4501.90
Ball bearing hinge straight corner flat	76 mm	76 mm	00.4561.90
Ball bearing hinge straight corner flat	89 mm	89 mm	00.4562.90



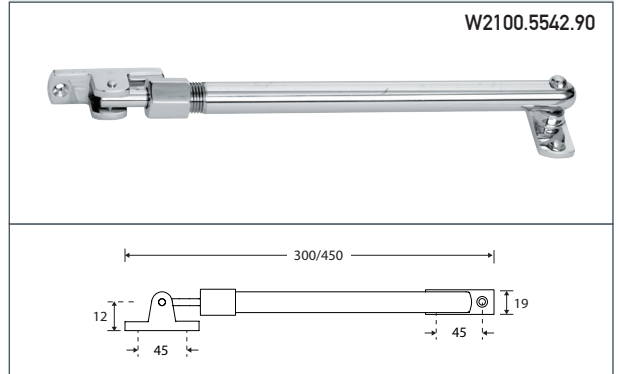
DESCRIPTION	NUMBER
TT mechanism with handle	00.5673.90



DESCRIPTION	NUMBER
Lockable security TT mechanism with handle	00.5674.90



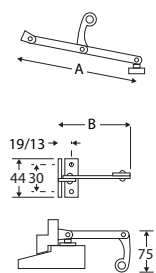
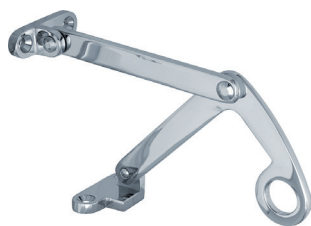
DESCRIPTION	NUMBER
Telescopic casement stay	00.5542.90



COLORTABLE

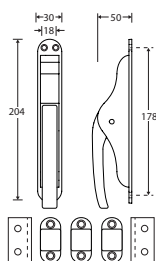
W01	brass lacquered
W11	polished nickel
W13	satin nickel unlacquered
W21	polished chrome

W2100.5604.90



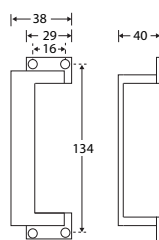
DESCRIPTION	A	B	NUMBER
Awning window operator	125 mm	97 mm	00.5604.90
Awning window operator	175 mm	115 mm	00.5605.90

W2100.4509.90



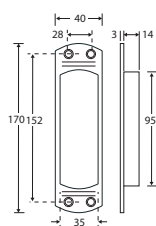
DESCRIPTION	NUMBER
Pump espagnolette complete with bars	00.4509.90
Espagnolette bar elongation set oval with bar	00.5834.90
Espagnolette lock, for square bar	00.9309.90

W2100.4357.90



DESCRIPTION	NUMBER
Pull handle	00.4357.90

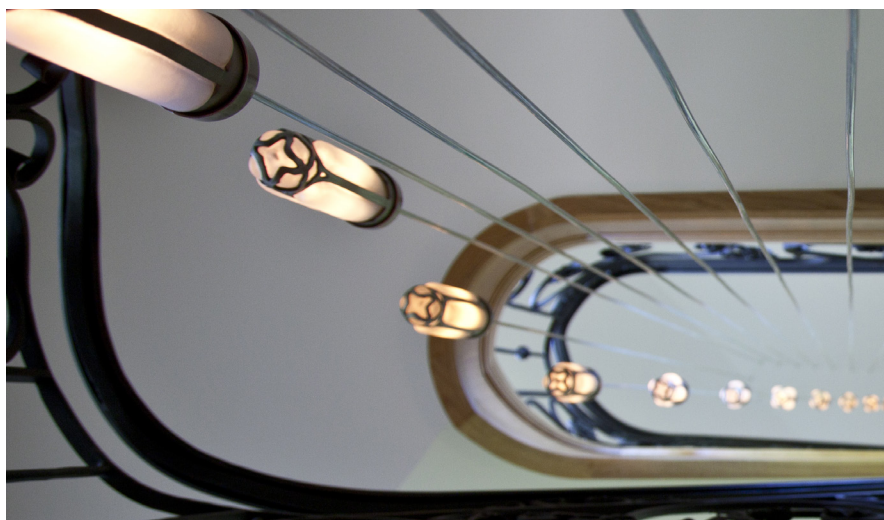
W2100.4567.90



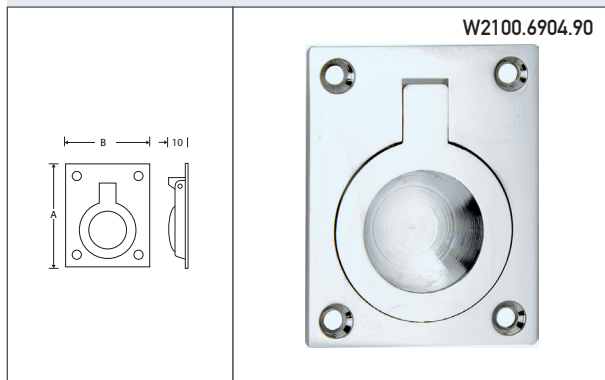
DESCRIPTION	NUMBER
Flush handle	00.4567.90

COLORTABLE

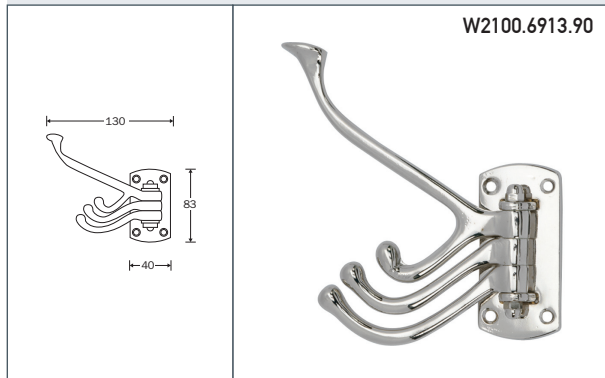
W01	brass lacquered
W11	polished nickel
W13	satin nickel unlacquered
W21	polished chrome



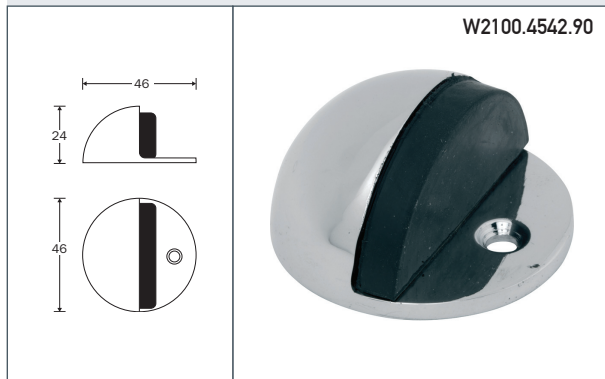
DESCRIPTION	A	B	NUMBER
Hatch ring rectangular	40 mm	30 mm	00.6904.90
Hatch ring rectangular	50 mm	38 mm	00.6905.90
Hatch ring rectangular	60 mm	47 mm	00.6906.90



DESCRIPTION	NUMBER
Hat hook Revolving	00.6913.90

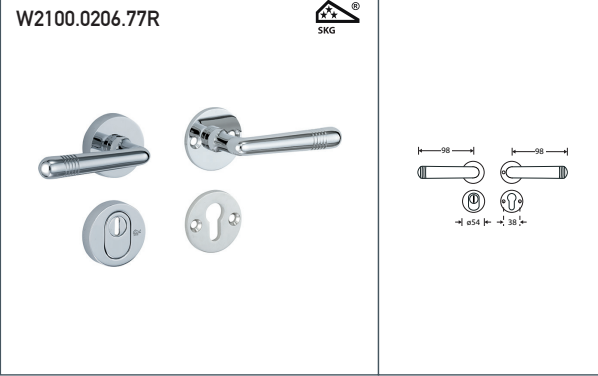


DESCRIPTION	NUMBER
Door stop	00.4542.90

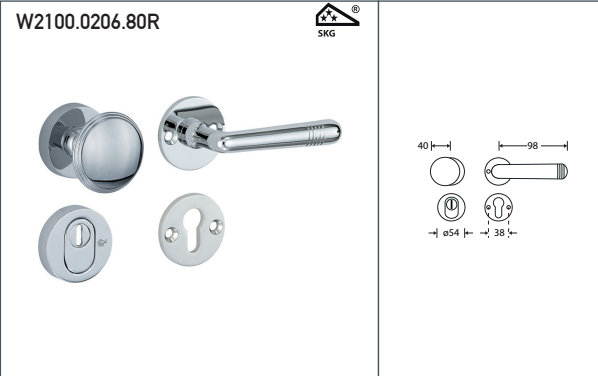


COLORTABLE

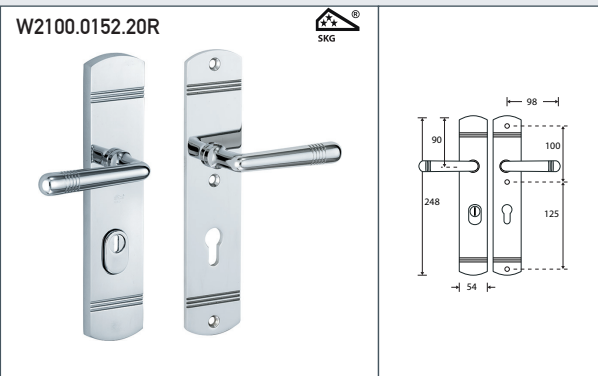
- W01 brass lacquered
- W11 polished nickel
- W13 satin nickel unlacquered
- W21 polished chrome



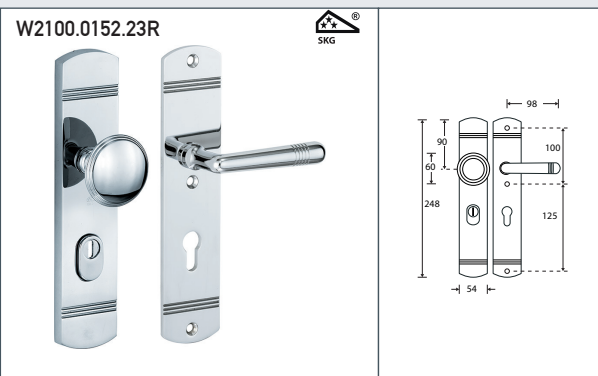
DESCRIPTION	NUMBER
Security lever handle set right hand with pull protection	00.0206.77R
Security lever handle set left hand with pull protection	00.0206.77L



DESCRIPTION	NUMBER
Security knob handle set right hand with pull protection	00.0206.80R
Security knob handle set left hand with pull protection	00.0206.80L



DESCRIPTION	NUMBER
Security lever handle set right hand with pull protection PZ72	00.0152.20R
Security lever handle set left hand with pull protection PZ72	00.0152.20L
Security lever handle set right hand with pull protection PZ55	00.0152.07R
Security lever handle set left hand with pull protection PZ55	00.0152.07L
Security lever handle set right hand with pull protection PZ92	00.0152.33R
Security lever handle set left hand with pull protection PZ92	00.0152.33L



DESCRIPTION	NUMBER
Security knob handle set right hand with pull protection PZ72	00.0152.23R
Security knob handle set left hand with pull protection PZ72	00.0152.23L
Security knob handle set right hand with pull protection PZ55	00.0152.10R
Security knob handle set left hand with pull protection PZ55	00.0152.10L
Security knob handle set right hand with pull protection PZ92	00.0152.36R
Security knob handle set left hand with pull protection PZ92	00.0152.36L

COLORTABLE

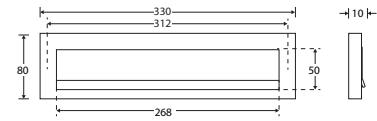
W01	brass lacquered (interior)
W03	brass PVD (exterior)
W07	brass lacquered / brass PVD
W11	polished nickel (interior)
W13	satin nickel unlacquered (interior)
W14	satin nickel PVD (exterior)
W18	polished nickel / polished chrome
W19	satin nickel lacquered / satin nickel PVD
W21	polished chrome



DESCRIPTION	NUMBER
Letter plate rectangular	00.4090.90



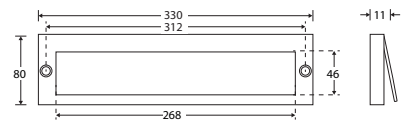
W2100.4090.90



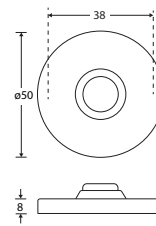
DESCRIPTION	NUMBER
Draught flap rectangular with brush	00.4092.90



W1100.4092.90



DESCRIPTION	NUMBER
Doorbell round	00.4016.90



W2100.4016.90

DESCRIPTION	NUMBER
Pull bell set complete	00.4018.90
Pull bell set without knob	00.4019.90

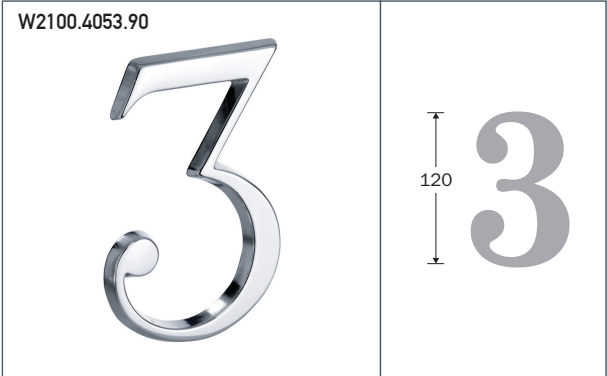


W2100.4018.90

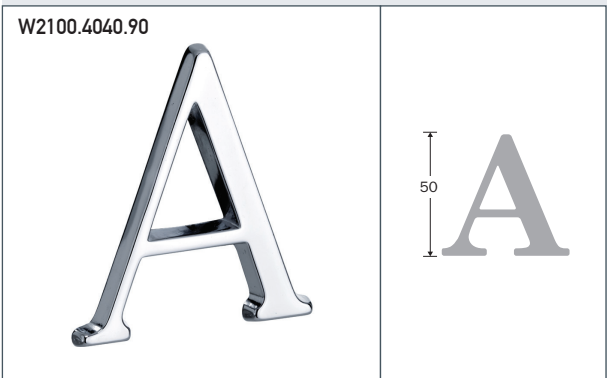


COLORTABLE

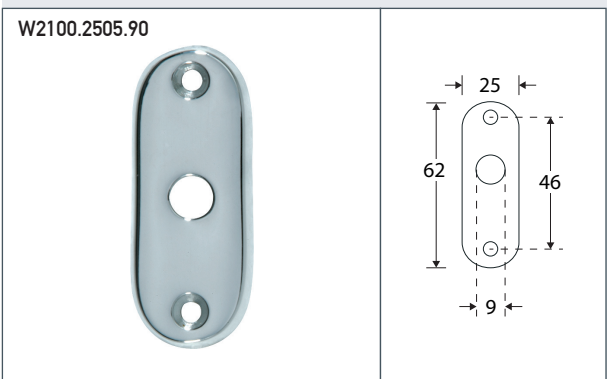
- W01 *brass lacquered (interior)*
- W03 *brass PVD (exterior)*
- W07 *brass lacquered / brass PVD*
- W11 *polished nickel (interior)*
- W13 *satin nickel unlacquered (interior)*
- W14 *satin nickel PVD (exterior)*
- W18 *polished nickel / polished chrome*
- W19 *satin nickel lacquered / satin nickel PVD*
- W21 *polished chrome*



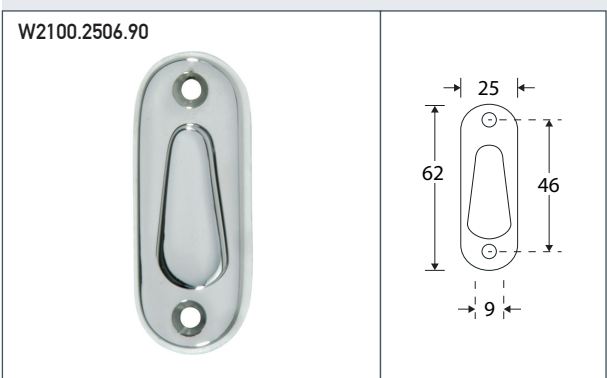
DESCRIPTION	NUMBER
House number 0	00.4050.90
House number 1	00.4051.90
House number 2	00.4052.90
House number 3	00.4053.90
House number 4	00.4054.90
House number 5	00.4055.90
House number 6	00.4056.90
House number 7	00.4057.90
House number 8	00.4058.90
House number 9	00.4059.90



DESCRIPTION	NUMBER
House letter A	00.4040.90
House letter B	00.4041.90
House letter C	00.4042.90
House letter D	00.4043.90
House letter H	00.4044.90
House letter W	00.4045.90



DESCRIPTION	NUMBER
Pin lock cover rosette open	00.2505.90



DESCRIPTION	NUMBER
Pin lock cover rosette concealed	00.2506.90

COLORTABLE

W01	brass lacquered (interior)
W03	brass PVD (exterior)
W07	brass lacquered / brass PVD
W11	polished nickel (interior)
W13	satin nickel unlacquered (interior)
W14	satin nickel PVD (exterior)
W18	polished nickel / polished chrome
W19	satin nickel lacquered / satin nickel PVD
W21	polished chrome



DISTINGUISHED
Elegancy



Mi Satori

TOUCH | FEEL | KNOW

ART NOUVEAU

Mass production became fashionable in the early 1900s and standard products were sold by the dozen. The elegant, graceful Art Nouveau movement was a response to that trend, expressing a dislike of symmetry and a love of personal expression.

Characteristics of Art Nouveau (1890-1915) include curved lines and stylised plants and flowers. There was a passion for new, modern techniques and materials. Glass and iron were deliberately visible in the designs. Art Nouveau was more than a style of art and architecture. It also expressed an optimistic view of the world, a sense of confidence in what the future would bring.

In that period, luxury door hardware was primarily made of brass, which lent itself to casting graceful shapes. The main rooms of the house were equipped with door handles in gleaming nickel. Materials like ebony and polished cow horn were used on the grip to make the door handle feel warmer. A unified style throughout the house was important; door handles, espagnolette bolts and window fittings were chosen in the same style. And that still holds true today.

Mi Satori offers a wide range of Art Nouveau models, allowing you to create a sense of harmony in your home, from the front door to the attic window. Handles, knobs and window fittings can all be chosen in a corresponding style.



Mi Satori

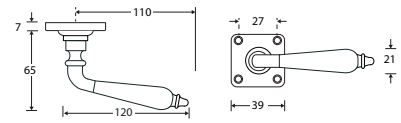
TOUCH | FEEL | KNOW

DESCRIPTION	Ω	NUMBER
Lever handle set		00.0154.46
Lever handle set	with spring	00.0154.50
Door handle		00.0020.45
Lever rosette		00.2422.60
Lever rosette	with spring	00.2422.62
Key escutcheon		00.2423.55
Euro profile escutcheon		00.2424.57
Free occupied spindle 5-8mm		00.2442.61

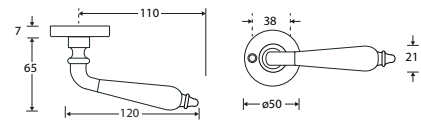
DESCRIPTION	NUMBER
Lever handle set	00.0155.46
Door handle	00.0020.45
Lever rosette	00.2405.60
Key escutcheon	00.2407.56
Euro profile escutcheon	00.2408.57
Free occupied spindle 5-8mm	00.2442.61

DESCRIPTION	NUMBER
Lever handle set Blind	00.0156.01
Door handle	00.0020.45
Backplate Blind	00.2456.01
Backplate WL56	00.2456.04
Backplate WL72	00.2456.12
Backplate WL92	00.2456.14
Backplate WL110	00.2456.15
Backplate PZ55	00.2456.24
Backplate PZ72	00.2456.27
Backplate PZ92	00.2456.37
Backplate PZ110	00.2456.41
Backplate F063	00.2456.67
Backplate F072	00.2456.70
Backplate F078	00.2456.72
Free occupied spindle 5-8mm	00.2442.61

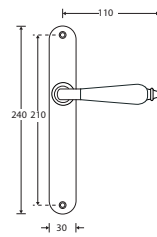
W1600.0154.46



W0100.0155.46



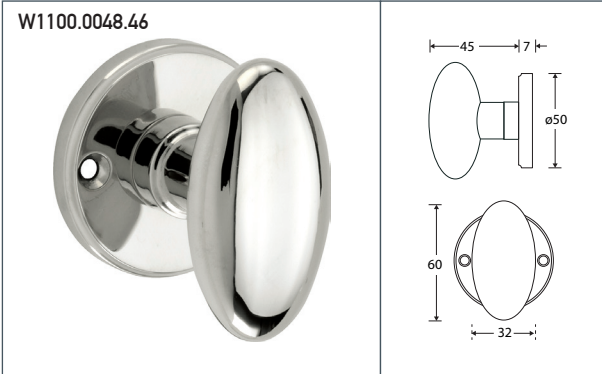
W1100.0156.01



COLORTABLE

W01	brass lacquered ebony
W11	polished nickel ebony
W16	antique nickel ebony

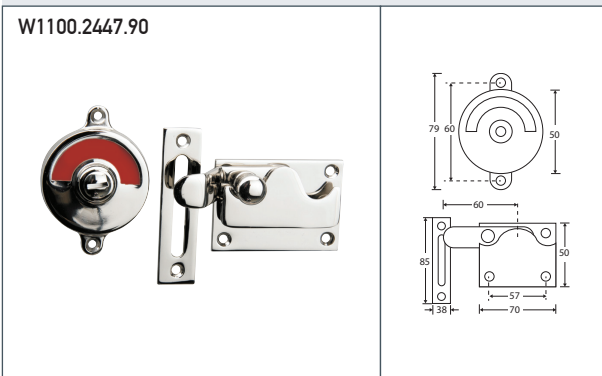




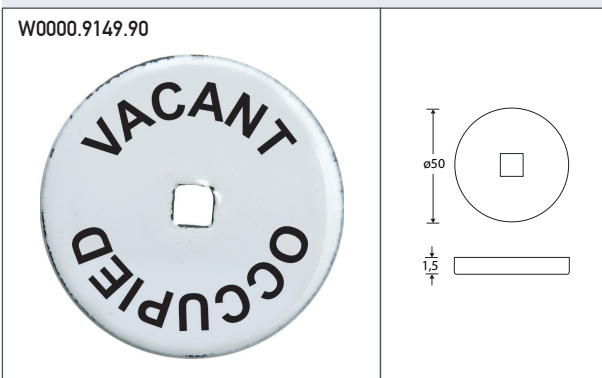
DESCRIPTION	NUMBER
Knob handle set	00.0048.46
Knob handle set	00.0041.45
Lever rosette	00.2405.60
Key escutcheon	00.2407.56
Euro profile escutcheon	00.2408.57
Free occupied spindle 5-8mm	00.2442.61



DESCRIPTION	NUMBER
Free occupied spindle 5-8mm	00.2442.61



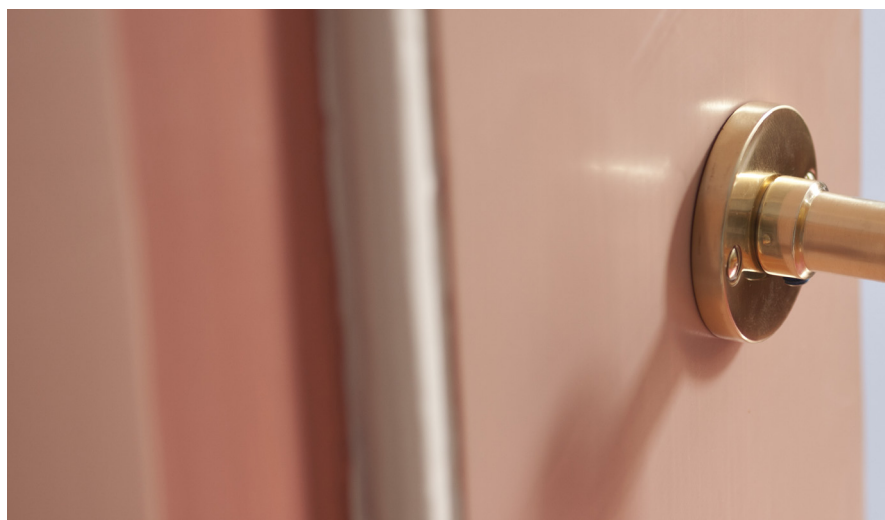
DESCRIPTION	NUMBER
Free occupied throwover catch with elbow, complete red / green	00.2447.90
Free occupied throwover catch flat, complete red / green	00.2446.90
Enamel disk vacant / occupied throwover catch vacant / occupied	W0000.9149.90



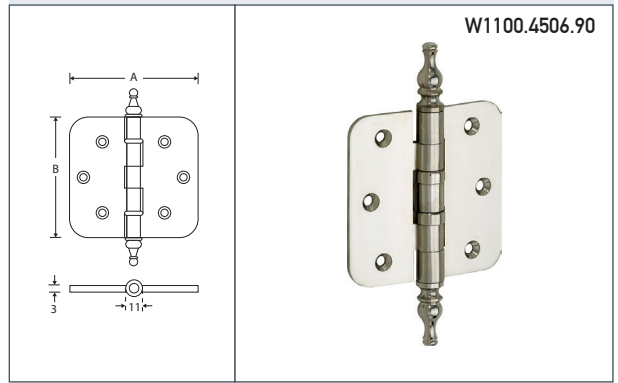
DESCRIPTION	NUMBER
Enamel disk vacant / occupied throwover catch vacant / occupied	W0000.9149.90
Enamel disk vacant / occupied throwover catch vrij / bezet	W0000.9026.90
Enamel disk vacant / occupied throwover catch libre / occupe	W0000.9027.90
Enamel disk vacant / occupied throwover catch frei / besetzt	W0000.9107.90

COLORTABLE

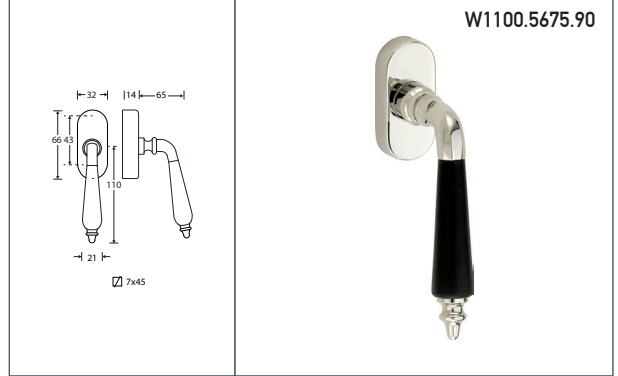
W01	brass lacquered ebony
W11	polished nickel ebony
W16	antique nickel ebony



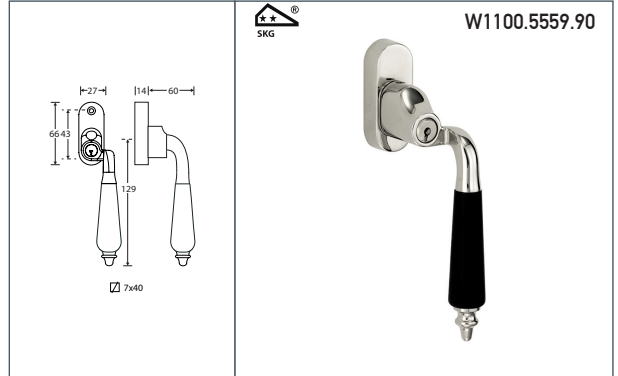
DESCRIPTION	A	B	NUMBER
Ball bearing hinge round corner crown	76 mm	76 mm	00.4506.90
Ball bearing hinge round corner crown	89 mm	89 mm	00.4507.90
Ball bearing hinge straight corner crown	76 mm	76 mm	00.4565.90
Ball bearing hinge straight corner crown	89 mm	89 mm	00.4566.90



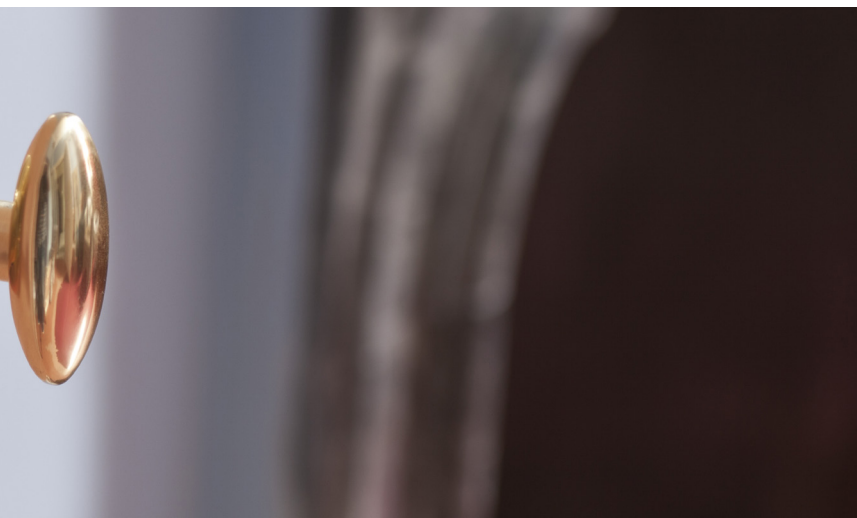
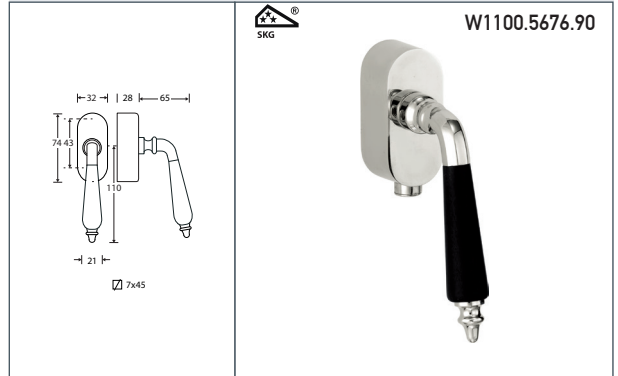
DESCRIPTION	NUMBER
TT mechanism with handle	00.5675.90



DESCRIPTION	NUMBER
Security TT window handle lockable right hand	00.5559.90
Security TT window handle lockable left hand	00.5558.90

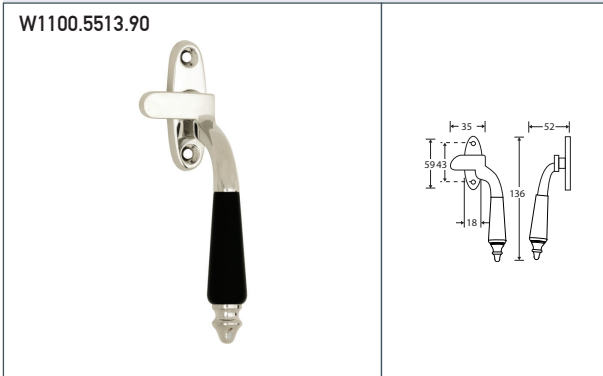


DESCRIPTION	NUMBER
Lockable security TT mechanism with handle	00.5676.90

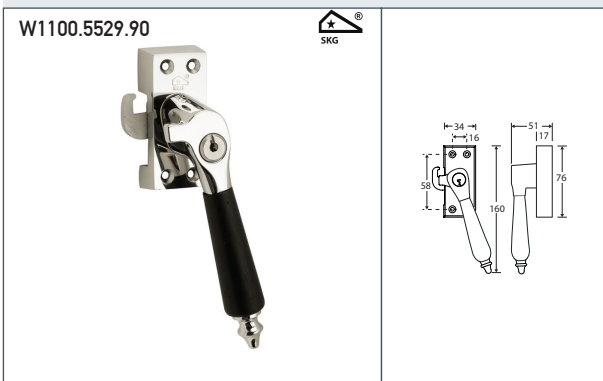


COLORTABLE

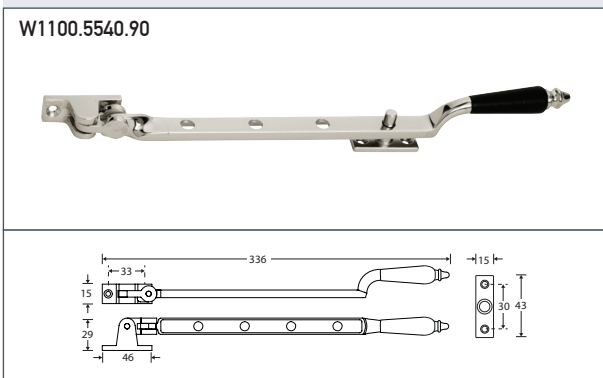
W01	brass lacquered ebony
W11	polished nickel ebony
W16	antique nickel ebony



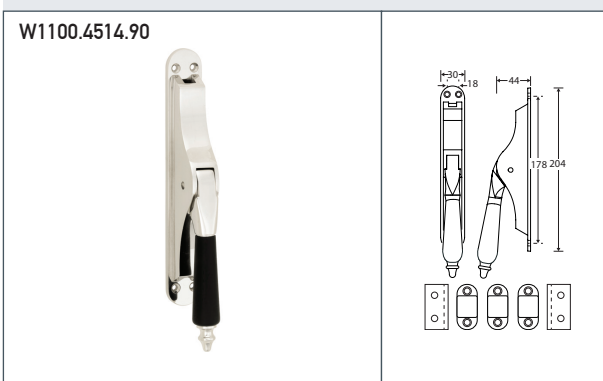
DESCRIPTION	NUMBER
Window lever handle, right hand, open to outside	00.5513.90
Window lever handle, left hand, open to outside	00.5512.90
Hasp for window lever handle, open to inside	00.9121.90
Shim 3mm tbv window handle	00.5688.90



DESCRIPTION	NUMBER
Security window fastener, right hand, open to outside	00.5529.90
Security window fastener, left hand, open to outside	00.5528.90
Shim 3mm for lockable window handle	00.5687.90
End catch for lockable window handle right hand, open to inside	00.9185.90
End catch for lockable window handle left hand, open to inside	00.9184.90



DESCRIPTION	NUMBER
Casement stay with pin	00.5540.90
Pin for casement stay	00.9187.90



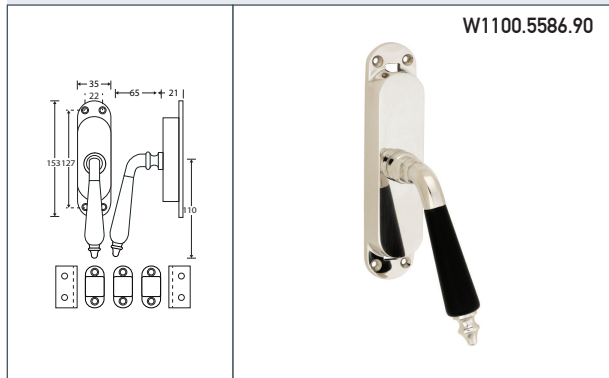
DESCRIPTION	NUMBER
Pump espagnolette complete with bars	00.4514.90
Espagnolette bar elongation set oval with bar	00.5834.90
Espagnolette lock, for square bar	00.9309.90

COLORTABLE

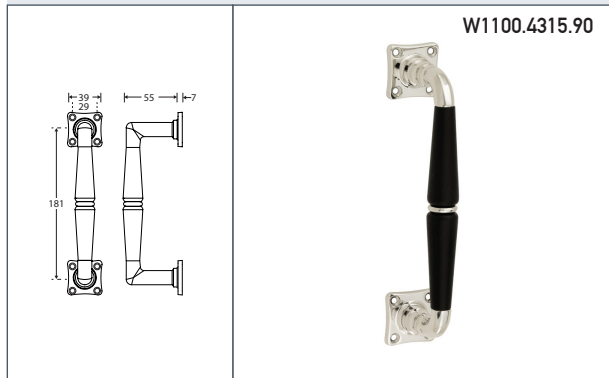
W01	brass lacquered ebony
W11	polished nickel ebony
W16	antique nickel ebony



DESCRIPTION	NUMBER
Lever espagnolette complete, right hand with bars	00.5586.90
Lever espagnolette complete, left hand with bars	00.5585.90
Espagnolette bar elongation set oval with bar	00.5834.90
Espagnolette lock, for square bar	00.9309.90



DESCRIPTION	NUMBER
Pull handle	00.4315.90




COLORTABLE


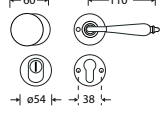
W01	brass lacquered ebony
W11	polished nickel ebony
W16	antique nickel ebony

W1800.0157.77R 





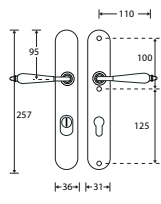

DESCRIPTION	NUMBER
Security lever handle set right hand with pull protection	00.0157.77R
Security lever handle set left hand with pull protection	00.0157.77L

W1800.0157.80R 






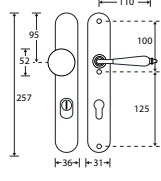
DESCRIPTION	NUMBER
Security knob handle set right hand with pull protection	00.0157.80R
Security knob handle set left hand with pull protection	00.0157.80L

W1800.0158.20R 

DESCRIPTION	NUMBER
Security lever handle set right hand with pull protection PZ72	00.0158.20R
Security lever handle set left hand with pull protection PZ72	00.0158.20L
Security lever handle set right hand with pull protection PZ55	00.0158.07R
Security lever handle set left hand with pull protection PZ55	00.0158.07L
Security lever handle set right hand with pull protection PZ92	00.0158.33R
Security lever handle set left hand with pull protection PZ92	00.0158.33L

W1800.0158.23R 

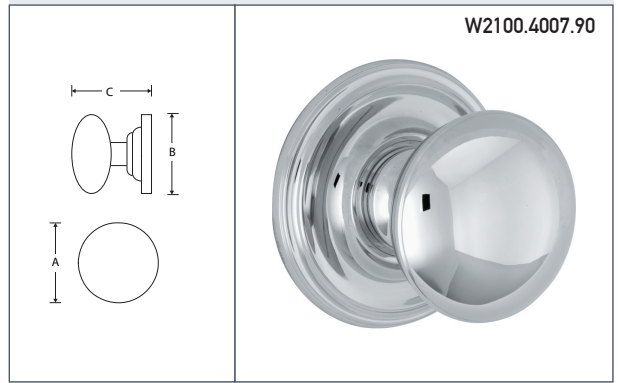
DESCRIPTION	NUMBER
Security knob handle set right hand with pull protection PZ72	00.0158.23R
Security knob handle set left hand with pull protection PZ72	00.0158.23L
Security knob handle set right hand with pull protection PZ55	00.0158.10R
Security knob handle set left hand with pull protection PZ55	00.0158.10L
Security knob handle set right hand with pull protection PZ92	00.0158.36R
Security knob handle set left hand with pull protection PZ92	00.0158.36L

COLORTABLE

W01	brass lacquered ebony (interior)
W03	brass PVD matt black (exterior)
W07	brass lacquered ebony / brass PVD bakelite
W11	polished nickel ebony (interior)
W16	antique nickel ebony (interior)
W18	polished nickel ebony / polished chrome bakelite
W20	antique nickel ebony / antique chrome bakelite
W21	polished chrome bakelite (exterior)
W25	antique chrome bakelite (exterior)

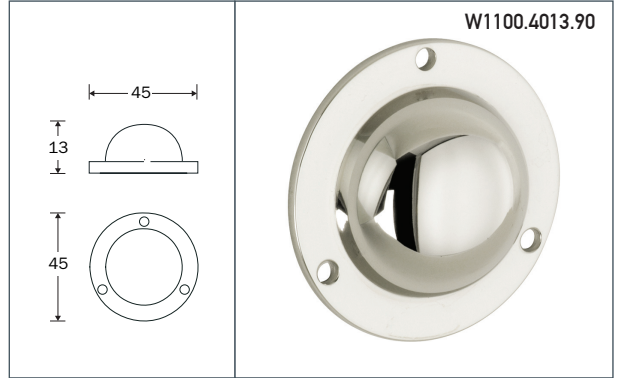


DESCRIPTION	A	B	C	NUMBER
Front door knob	Ø60 mm	78 mm	67 mm	00.4007.90
Front door knob	Ø70 mm	90 mm	70 mm	00.4008.90
Front door knob	Ø90 mm	90 mm	74 mm	00.4083.90



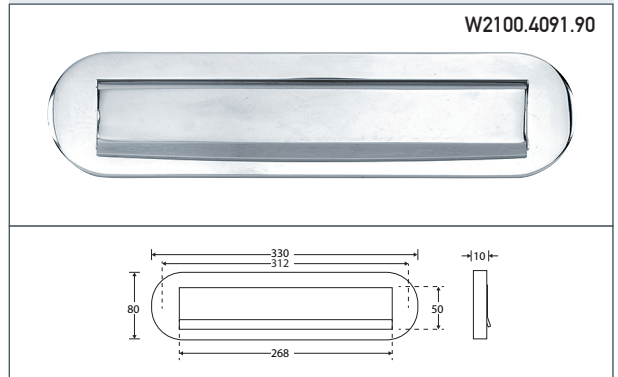
W2100.4007.90

DESCRIPTION	NUMBER
Nut cap	00.4013.90



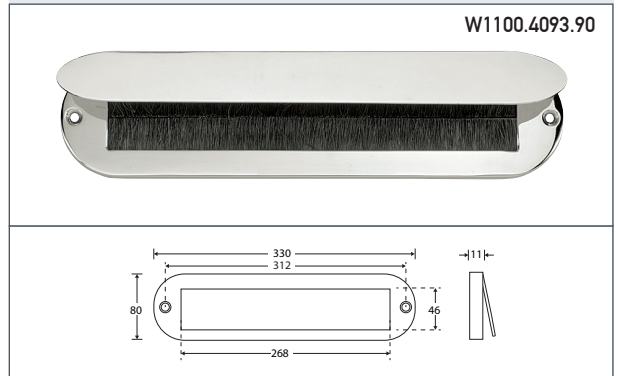
W1100.4013.90

DESCRIPTION	NUMBER
Letter plate oval	00.4091.90



W2100.4091.90

DESCRIPTION	NUMBER
Draught flap oval with brush	00.4093.90



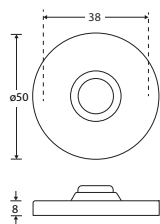
W1100.4093.90



COLORTABLE

- W01 brass lacquered ebony (interior)
- W03 brass PVD matt black (exterior)
- W07 brass lacquered ebony / brass PVD bakelite
- W11 polished nickel ebony (interior)
- W16 antique nickel ebony (interior)
- W18 polished nickel ebony / polished chrome bakelite
- W20 antique nickel ebony / antique chrome bakelite
- W21 polished chrome bakelite (exterior)
- W25 antique chrome bakelite (exterior)

W2100.4016.90



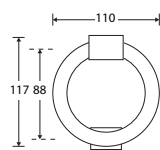
DESCRIPTION

NUMBER

Doorbell round

00.4016.90

W2100.4081.90



DESCRIPTION

NUMBER

Door knocker

00.4081.90

Nut cap

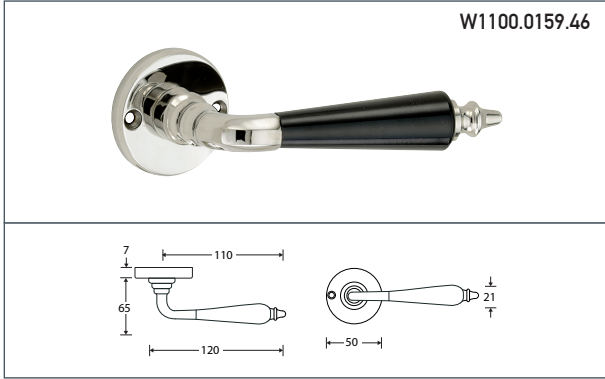
00.4013.90

COLORTABLE

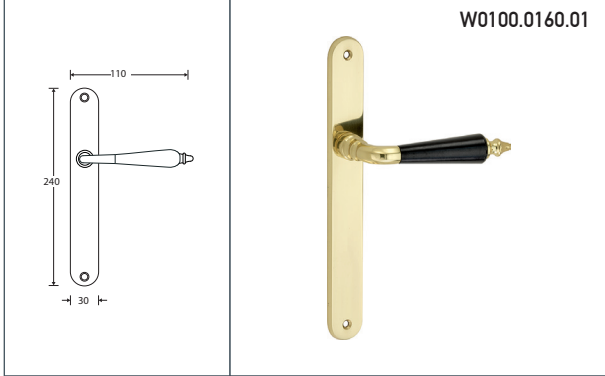
W01	<i>brass lacquered ebony (interior)</i>
W03	<i>brass PVD matt black (exterior)</i>
W07	<i>brass lacquered ebony / brass PVD bakelite</i>
W11	<i>polished nickel ebony (interior)</i>
W16	<i>antique nickel ebony (interior)</i>
W18	<i>polished nickel ebony / polished chrome bakelite</i>
W20	<i>antique nickel ebony / antique chrome bakelite</i>
W21	<i>polished chrome bakelite (exterior)</i>
W25	<i>antique chrome bakelite (exterior)</i>



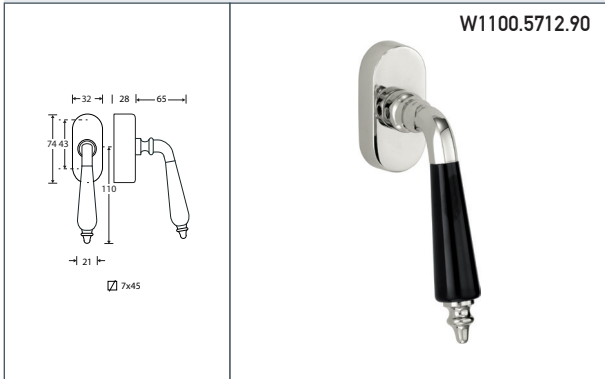
DESCRIPTION	NUMBER
Lever handle set	00.0159.46
Door handle	00.0021.45
Lever rosette	00.2405.60
Key escutcheon	00.2407.56
Euro profile escutcheon	00.2408.57
Free occupied spindle 5-8mm	00.2442.61



DESCRIPTION	NUMBER
Lever handle set Blind	00.0160.01
Door handle	00.0021.45
Backplate Blind	00.2456.01
Backplate WL56	00.2456.04
Backplate WL72	00.2456.12
Backplate WL92	00.2456.14
Backplate WL110	00.2456.15
Backplate PZ55	00.2456.24
Backplate PZ72	00.2456.27
Backplate PZ92	00.2456.37
Backplate PZ110	00.2456.41
Backplate F063	00.2456.67
Backplate F072	00.2456.70
Backplate F078	00.2456.72
Free occupied spindle 5-8mm	00.2442.61



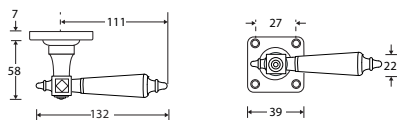
DESCRIPTION	NUMBER
TT mechanism with handle	00.5712.90



COLORTABLE

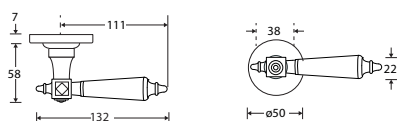
W01	brass lacquered ebony
W11	polished nickel ebony
W16	antique nickel ebony

W1100.0170.46



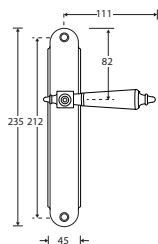
DESCRIPTION	Ω	NUMBER
Lever handle set		00.0170.46
Lever handle set	with spring	00.0170.50
Door handle		00.0015.45
Lever rosette		00.2422.60
Lever rosette	with spring	00.2422.62
Key escutcheon		00.2423.55
Euro profile escutcheon		00.2424.57
Free occupied spindle 5-8mm		00.2443.61

W0100.0171.46



DESCRIPTION	NUMBER
Lever handle set	00.0171.46
Door handle	00.0015.45
Lever rosette	00.2405.60
Key escutcheon	00.2407.56
Euro profile escutcheon	00.2408.57
Free occupied spindle 5-8mm	00.2443.61

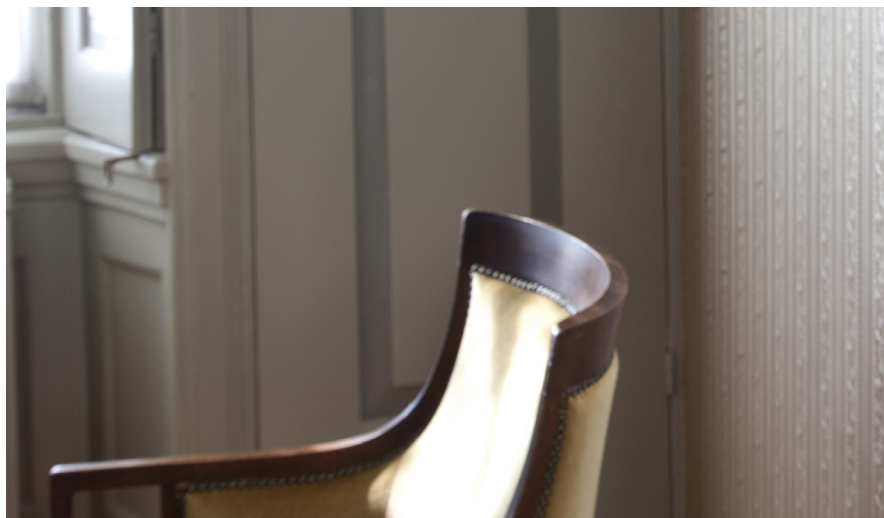
W0100.0053.01



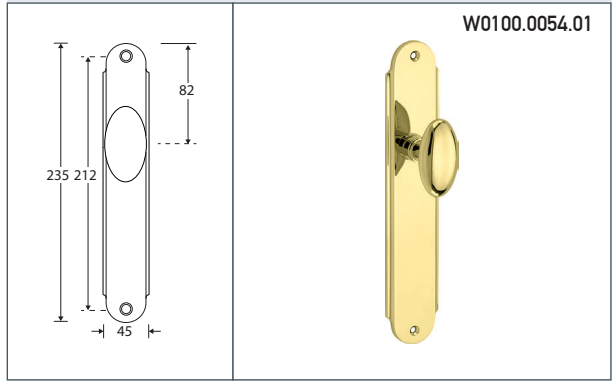
DESCRIPTION	NUMBER
Lever handle set Blind	00.0053.01
Door handle	00.0015.45
Backplate Blind	00.2461.01
Backplate KH56	00.2461.04
Backplate KH72	00.2461.12
Backplate KH92	00.2461.14
Backplate KH110	00.2461.15
Backplate PZ55	00.2461.24
Backplate PZ72	00.2461.27
Backplate PZ92	00.2461.37
Backplate PZ110	00.2461.41
Backplate F063	00.2461.67
Backplate F072	00.2461.70
Backplate F078	00.2461.72
Free occupied spindle 5-8mm	00.2443.61

COLORTABLE

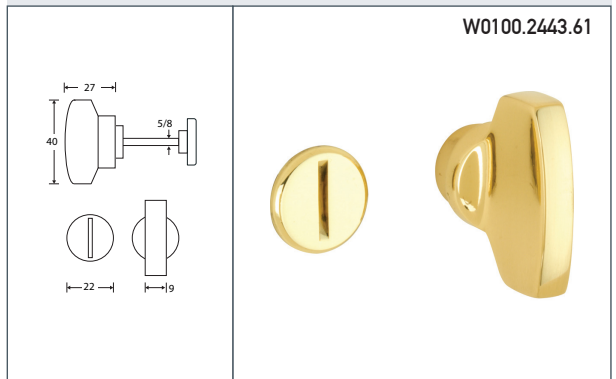
W01	brass lacquered bakelite
W11	polished nickel bakelite



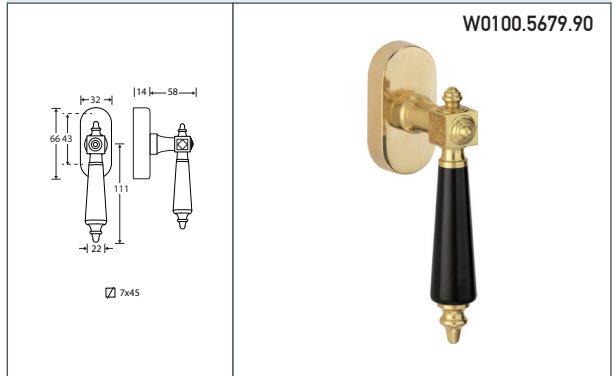
DESCRIPTION	NUMBER
Knob handle set Blind	00.0054.01
Knob handle set	00.0041.45
Backplate Blind	00.2461.01
Backplate KH56	00.2461.04
Backplate KH72	00.2461.12
Backplate KH92	00.2461.14
Backplate KH110	00.2461.15
Backplate PZ55	00.2461.24
Backplate PZ72	00.2461.27
Backplate PZ92	00.2461.37
Backplate PZ110	00.2461.41
Backplate F063	00.2461.67
Backplate F072	00.2461.70
Backplate F078	00.2461.72
Free occupied spindle 5-8mm	00.2443.61



DESCRIPTION	NUMBER
Free occupied spindle 5-8mm	00.2443.61



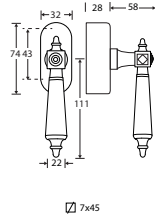
DESCRIPTION	NUMBER
TT mechanism with handle	00.5679.90



COLORTABLE

W01	brass lacquered bakelite
W11	polished nickel bakelite

W0100.5680.90



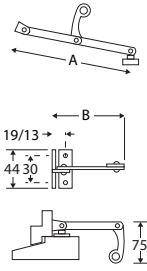
DESCRIPTION

Lockable security TT mechanism with handle

NUMBER

00.5680.90

W0100.5604.90



DESCRIPTION

Awning window operator
Awning window operator

A

125 mm
175 mm

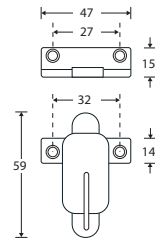
B

97 mm
115 mm

NUMBER

00.5604.90
00.5605.90

W0100.5606.90



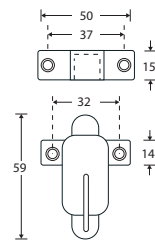
DESCRIPTION

Fanlight catch with strike plate

NUMBER

00.5606.90

W0100.5607.90



DESCRIPTION

Fanlight catch with end catch

NUMBER

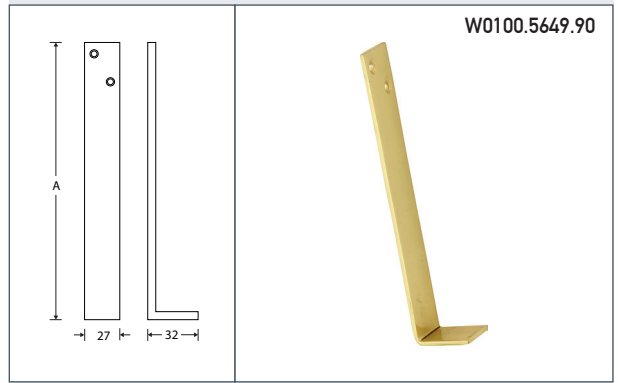
00.5607.90

COLORTABLE

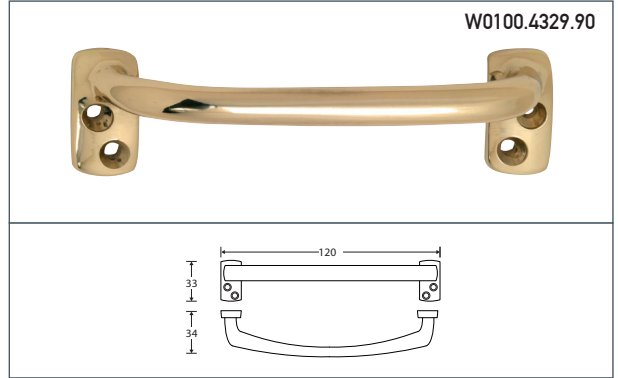
- W01 brass lacquered bakelite
- W11 polished nickel bakelite



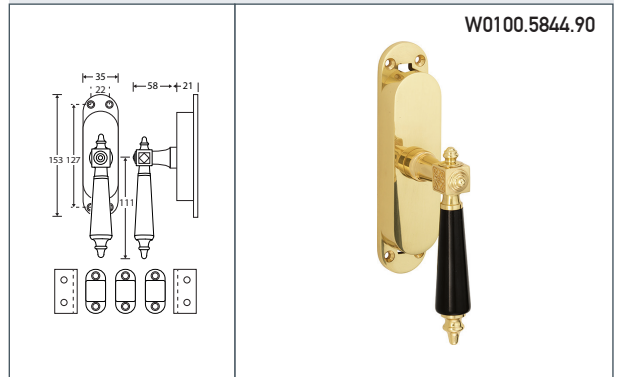
DESCRIPTION	A	NUMBER
Window limiter	160 mm	00.5649.90
Window limiter	180 mm	00.5650.90



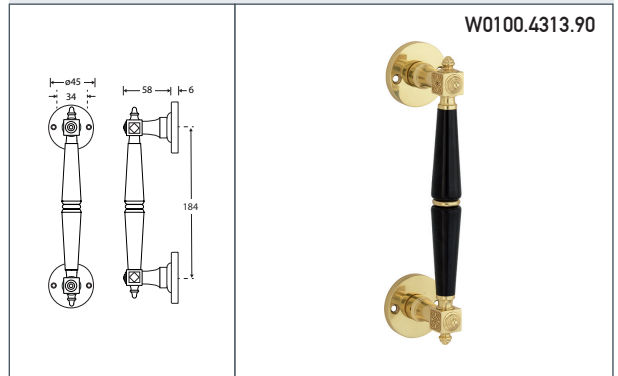
DESCRIPTION	NUMBER
Sash window handle	00.4329.90



DESCRIPTION	NUMBER
Lever espagnolette complete, right hand with bars	00.5844.90
Lever espagnolette complete, left hand with bars	00.5843.90
Espagnolette bar elongation set oval with bar	00.5834.90
Espagnolette lock, for square bar	00.9309.90



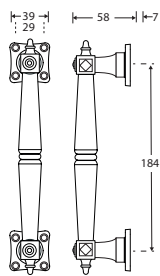
DESCRIPTION	NUMBER
Pull handle on round rosette	00.4313.90



COLORTABLE

W01	brass lacquered bakelite
W11	polished nickel bakelite

W0100.4314.90



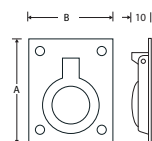
DESCRIPTION

NUMBER

Pull handle on square rosette

00.4314.90

W0100.6904.90



DESCRIPTION

A

B

NUMBER

Hatch ring rectangular

40 mm

30 mm

00.6904.90

Hatch ring rectangular

50 mm

38 mm

00.6905.90

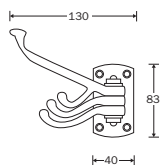
Hatch ring rectangular

60 mm

47 mm

00.6906.90

W0100.6913.90



DESCRIPTION

NUMBER

Hat hook Revolving

00.6913.90

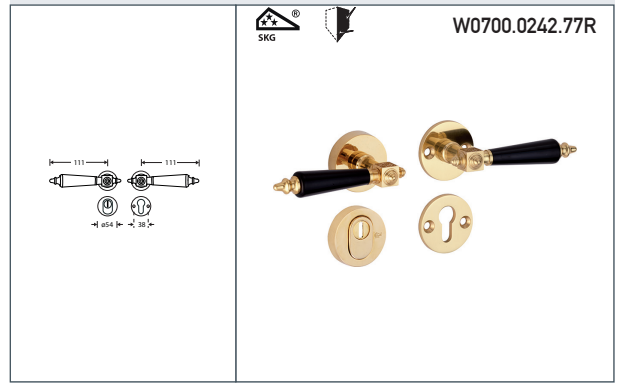
COLORTABLE

- W01 brass lacquered bakelite
- W11 polished nickel bakelite



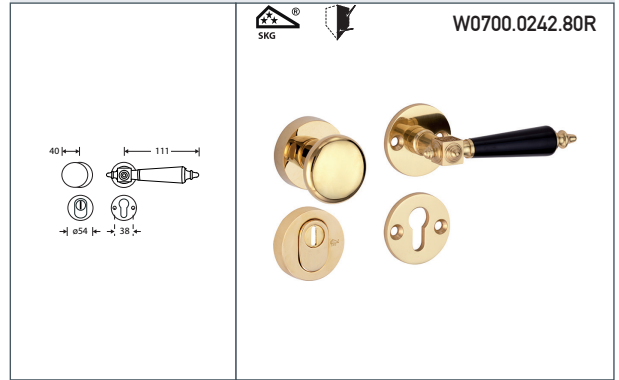
DESCRIPTION NUMBER

Security lever handle set right hand with pull protection	00.0242.77R
Security lever handle set left hand with pull protection	00.0242.77L



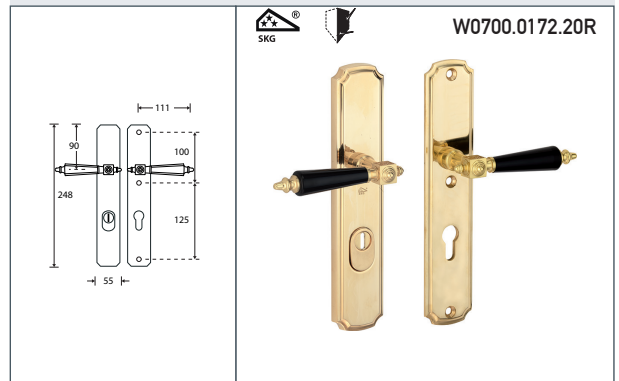
DESCRIPTION NUMBER

Security knob handle set right hand with pull protection	00.0242.80R
Security knob handle set left hand with pull protection	00.0242.80L



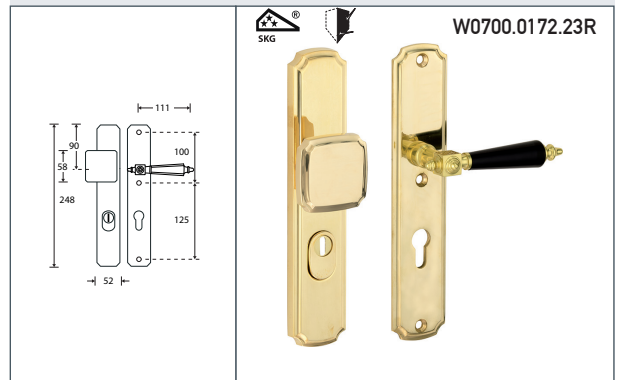
DESCRIPTION NUMBER

Security lever handle set right hand with pull protection PZ72	00.0172.20R
Security lever handle set left hand with pull protection PZ72	00.0172.20L
Security lever handle set right hand with pull protection PZ55	00.0172.07R
Security lever handle set left hand with pull protection PZ55	00.0172.07L
Security lever handle set right hand with pull protection PZ92	00.0172.33R
Security lever handle set left hand with pull protection PZ92	00.0172.33L



DESCRIPTION NUMBER

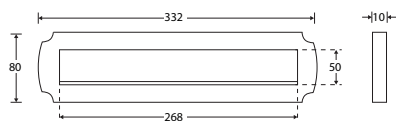
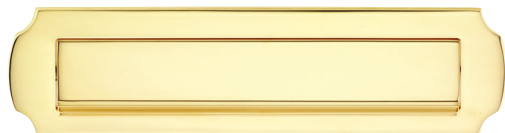
Security knob handle set right hand with pull protection PZ72	00.0172.23R
Security knob handle set left hand with pull protection PZ72	00.0172.23L
Security knob handle set right hand with pull protection PZ55	00.0172.10R
Security knob handle set left hand with pull protection PZ55	00.0172.10L
Security knob handle set right hand with pull protection PZ92	00.0172.36R
Security knob handle set left hand with pull protection PZ92	00.0172.36L



COLORTABLE

W01	brass lacquered bakelite (interior)
W03	brass PVD bakelite (exterior)
W07	brass lacquered / brass PVD bakelite
W11	polished nickel bakelite (interior)
W18	polished nickel / polished chrome bakelite
W21	polished chrome bakelite (exterior)

W0300.4004.90



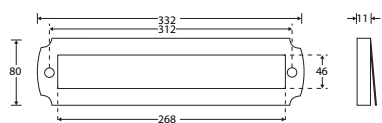
DESCRIPTION

Letter plate Art-Nouveau

NUMBER

00.4004.90

W0200.4098.90



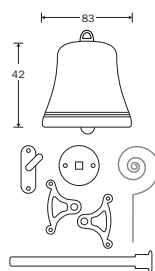
DESCRIPTION

Draught flap Art-Nouveau with brush

NUMBER

00.4098.90

W0700.4018.90



DESCRIPTION

Pull bell set complete

NUMBER

00.4018.90

Pull bell set without knob

00.4019.90

COLORTABLE

- W01 brass lacquered bakelite (interior)
- W03 brass PVD bakelite (exterior)
- W07 brass lacquered / brass PVD bakelite
- W11 polished nickel bakelite (interior)
- W18 polished nickel / polished chrome bakelite
- W21 polished chrome bakelite (exterior)



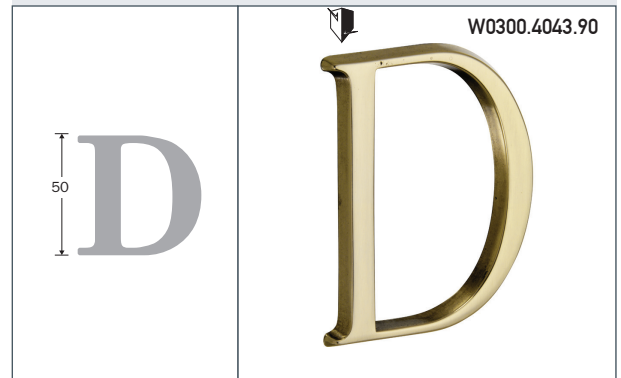
DESCRIPTION	NUMBER
House number 0	00.4030.90
House number 1	00.4031.90
House number 2	00.4032.90
House number 3	00.4033.90
House number 4	00.4034.90
House number 5	00.4035.90
House number 6	00.4036.90
House number 7	00.4037.90
House number 8	00.4038.90
House number 9	00.4039.90



DESCRIPTION	NUMBER
House number 0	00.4050.90
House number 1	00.4051.90
House number 2	00.4052.90
House number 3	00.4053.90
House number 4	00.4054.90
House number 5	00.4055.90
House number 6	00.4056.90
House number 7	00.4057.90
House number 8	00.4058.90
House number 9	00.4059.90



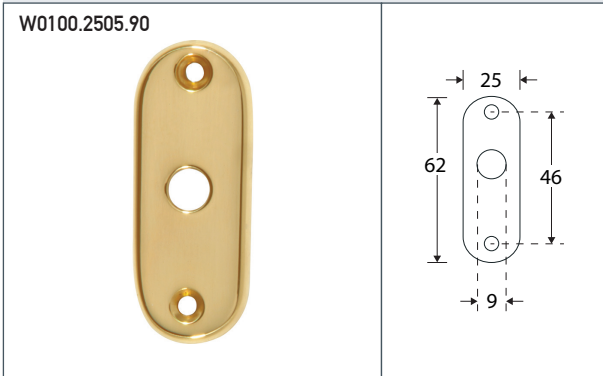
DESCRIPTION	NUMBER
House letter A	00.4040.90
House letter B	00.4041.90
House letter C	00.4042.90
House letter D	00.4043.90
House letter H	00.4044.90
House letter W	00.4045.90



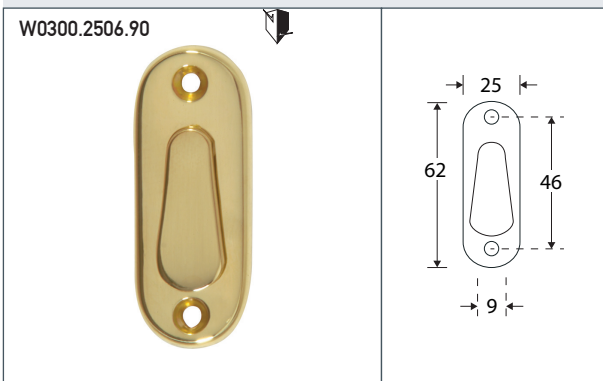
COLORTABLE

W01	<i>brass lacquered bakelite (interior)</i>
W03	<i>brass PVD bakelite (exterior)</i>
W07	<i>brass lacquered / brass PVD bakelite</i>
W11	<i>polished nickel bakelite (interior)</i>
W18	<i>polished nickel / polished chrome bakelite</i>
W21	<i>polished chrome bakelite (exterior)</i>





DESCRIPTION	NUMBER
<i>Pin lock cover rosette open</i>	<i>00.2505.90</i>



DESCRIPTION	NUMBER
<i>Pin lock cover rosette concealed</i>	<i>00.2506.90</i>

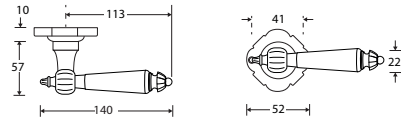
COLORTABLE

W01	<i>brass lacquered bakelite (interior)</i>
W03	<i>brass PVD bakelite (exterior)</i>
W07	<i>brass lacquered / brass PVD bakelite</i>
W11	<i>polished nickel bakelite (interior)</i>
W18	<i>polished nickel / polished chrome bakelite</i>
W21	<i>polished chrome bakelite (exterior)</i>



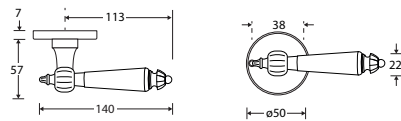
DESCRIPTION	NUMBER
Lever handle set	00.0161.46
Door handle	00.0016.45
Lever rosette	00.2436.60
Key escutcheon	00.2437.56
Euro profile escutcheon	00.2438.57
Free occupied spindle 5-8mm	00.2442.61

W0100.0161.46



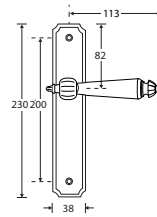
DESCRIPTION	NUMBER
Lever handle set	00.0162.46
Door handle	00.0016.45
Lever rosette	00.2413.60
Key escutcheon	00.2415.56
Euro profile escutcheon	00.2416.57
Free occupied spindle 5-8mm	00.2442.61

W1100.0162.46



DESCRIPTION	NUMBER
Lever handle set Blind	00.0225.01
Door handle	00.0016.45
Backplate Blind	00.2531.01
Backplate KH56	00.2531.04
Backplate KH72	00.2531.12
Backplate KH92	00.2531.14
Backplate KH110	00.2531.15
Backplate PZ55	00.2531.24
Backplate PZ72	00.2531.27
Backplate PZ92	00.2531.37
Backplate PZ110	00.2531.41
Backplate F063	00.2531.67
Backplate F072	00.2531.70
Backplate F078	00.2531.72
Free occupied spindle 5-8mm	00.2442.61

W1600.0225.01



COLORTABLE

W01	brass lacquered ebony
W11	polished nickel ebony
W16	antique nickel ebony



W1600.2442.61

DESCRIPTION	NUMBER
Free occupied spindle 5-8mm	00.2442.61

W1600.5677.90

DESCRIPTION	NUMBER
TT mechanism with handle	00.5677.90

W1600.5567.90

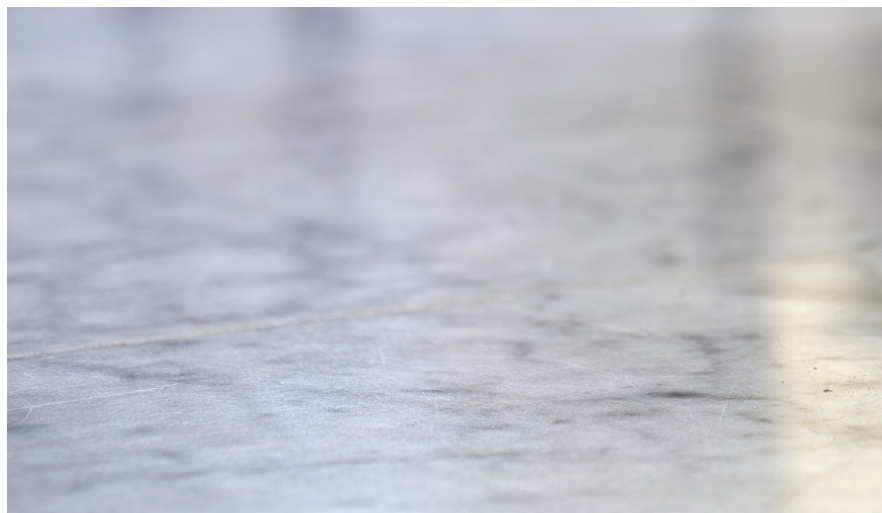
DESCRIPTION	NUMBER
Security TT window handle lockable right hand	00.5567.90
Security TT window handle lockable left hand	00.5566.90

W1600.5678.90

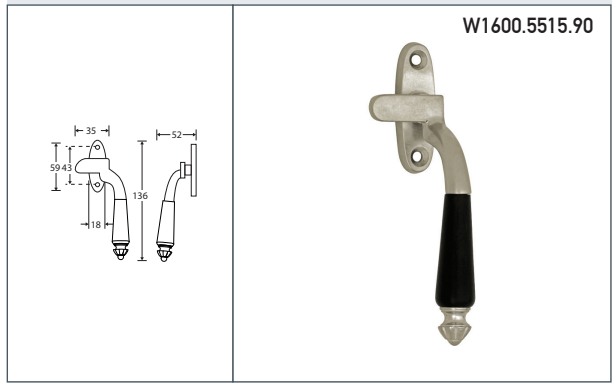
DESCRIPTION	NUMBER
Lockable security TT mechanism with handle	00.5678.90

COLORTABLE

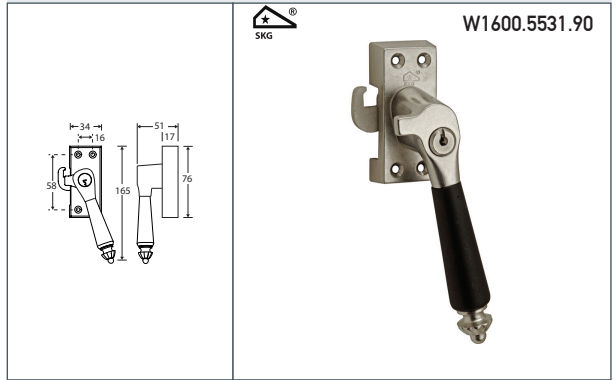
W01	brass lacquered ebony
W11	polished nickel ebony
W16	antique nickel ebony



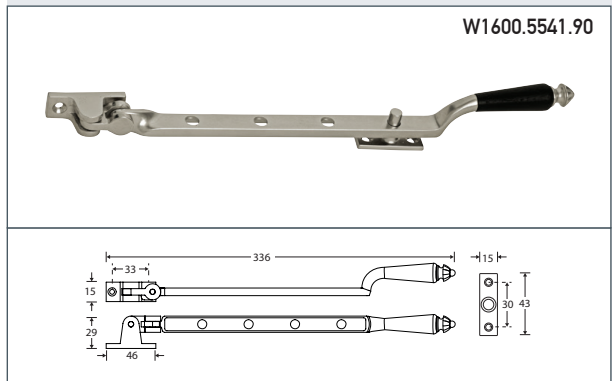
DESCRIPTION	NUMBER
Window lever handle, right hand, open to outside	00.5515.90
Window lever handle, left hand, open to outside	00.5514.90
Hasp for window lever handle, open to inside	00.9121.90
Shim 3mm tbv window handle	00.5688.90



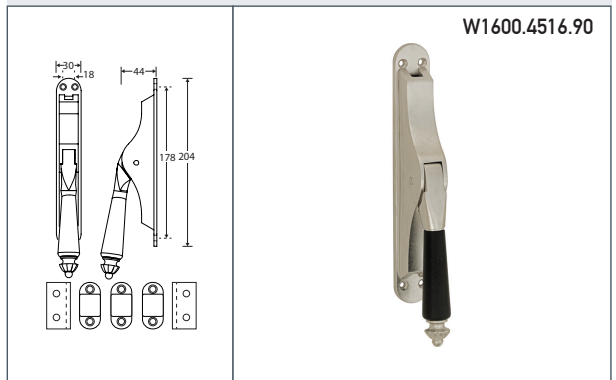
DESCRIPTION	NUMBER
Security window fastener, right hand, open to outside	00.5531.90
Security window fastener, left hand, open to outside	00.5530.90
Shim 3mm for lockable window handle	00.5687.90
End catch for lockable window handle right hand, open to inside	00.9185.90
End catch for lockable window handle left hand, open to inside	00.9184.90



DESCRIPTION	NUMBER
Casement stay with pin	00.5541.90
Pin for casement stay	00.9187.90



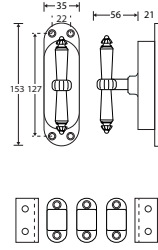
DESCRIPTION	NUMBER
Pump espagnolette complete with bars	00.4516.90
Espagnolette bar elongation set oval with bar	00.5834.90
Espagnolette lock, for square bar	00.9309.90



COLORTABLE

W01	brass lacquered ebony
W11	polished nickel ebony
W16	antique nickel ebony

W1600.5592.90



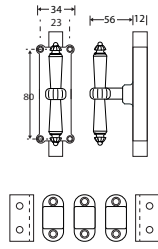
DESCRIPTION

NUMBER

Lever espagnolette T complete, with bars
Espagnolette bar elongation set oval with bar
Espagnolette lock, for square bar

00.5592.90
00.5834.90
00.9309.90

W1600.5840.90



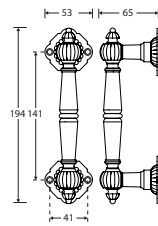
DESCRIPTION

NUMBER

Lever espagnolette T complete, with halfround bars

00.5840.90

W1600.4316.90



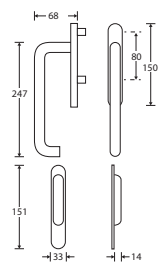
DESCRIPTION

NUMBER

Pull handle

00.4316.90

W1600.4300.90



DESCRIPTION

NUMBER

Sliding door siphon Blind
Sliding door siphon PC68

00.4300.90
00.4301.90

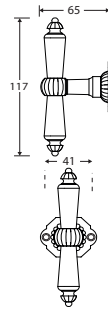
COLORTABLE

W01 brass lacquered ebony
W11 polished nickel ebony
W16 antique nickel ebony



DESCRIPTION NUMBER

Big cupboard knob with screw holes 00.4348.90

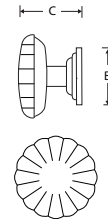


W1600.4348.90



DESCRIPTION A B C NUMBER

Furniture knob	25 mm	16 mm	26 mm	00.8024.90
Furniture knob	30 mm	17 mm	30 mm	00.8025.90
Furniture knob	35 mm	19 mm	35 mm	00.8026.90

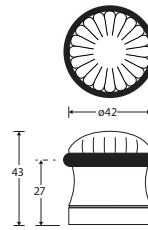


W1600.8024.90



DESCRIPTION NUMBER

Door stop 00.4559.90





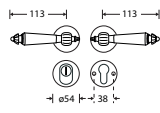
W1600.4559.90




COLORTABLE

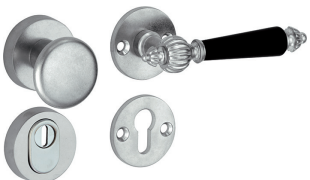
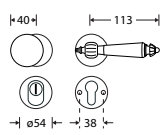
W01	brass lacquered ebony
W11	polished nickel ebony
W16	antique nickel ebony

W2000.0237.77R 






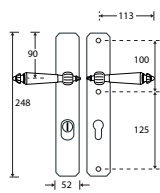
DESCRIPTION	NUMBER
Security lever handle set right hand with pull protection	00.0237.77R
Security lever handle set left hand with pull protection	00.0237.77L

W2000.0237.80R 






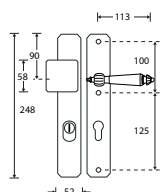
DESCRIPTION	NUMBER
Security knob handle set right hand with pull protection	00.0237.80R
Security knob handle set left hand with pull protection	00.0237.80L

W2000.0164.20R 

DESCRIPTION	NUMBER
Security lever handle set right hand with pull protection PZ72	00.0164.20R
Security lever handle set left hand with pull protection PZ72	00.0164.20L
Security lever handle set right hand with pull protection PZ55	00.0164.07R
Security lever handle set left hand with pull protection PZ55	00.0164.07L
Security lever handle set right hand with pull protection PZ92	00.0164.33R
Security lever handle set left hand with pull protection PZ92	00.0164.33L

W2000.0164.23R 

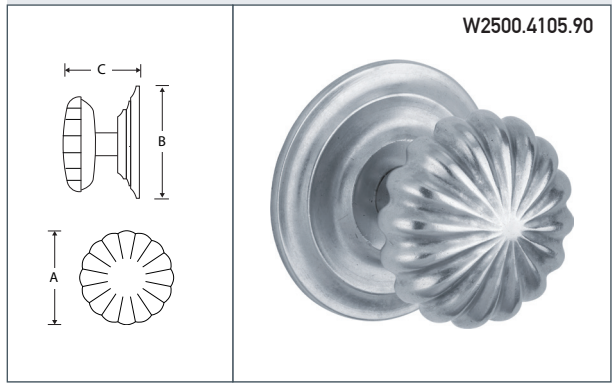
DESCRIPTION	NUMBER
Security knob handle set right hand with pull protection PZ72	00.0164.23R
Security knob handle set left hand with pull protection PZ72	00.0164.23L
Security knob handle set right hand with pull protection PZ55	00.0164.10R
Security knob handle set left hand with pull protection PZ55	00.0164.10L
Security knob handle set right hand with pull protection PZ92	00.0164.36R
Security knob handle set left hand with pull protection PZ92	00.0164.36L

COLORTABLE

W01	brass lacquered ebony (interior)
W03	brass PVD bakelite (exterior)
W07	brass lacquered ebony / brass PVD bakelite
W11	polished nickel ebony (interior)
W16	antique nickel ebony (interior)
W18	polished nickel ebony / polished chrome bakelite
W20	antique nickel ebony / antique chrome bakelite
W21	polished chrome bakelite (exterior)
W25	antique chrome bakelite (exterior)

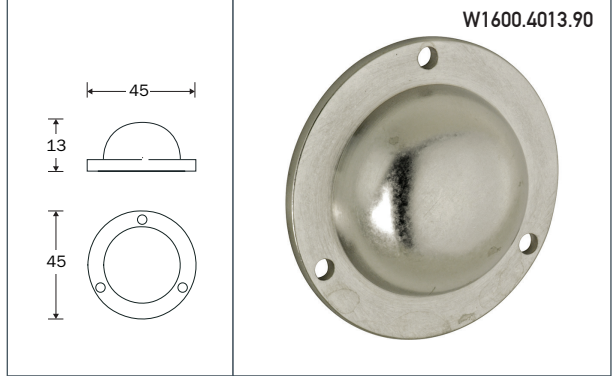


DESCRIPTION	A	B	C	NUMBER
Front door knob	Ø85 mm	105 mm	90 mm	00.4105.90
Front door knob	Ø125 mm	160 mm	135 mm	00.4106.90



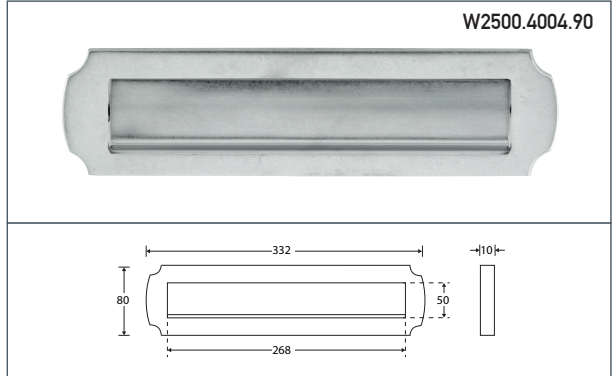
W2500.4105.90

DESCRIPTION	NUMBER
Nut cap	00.4013.90



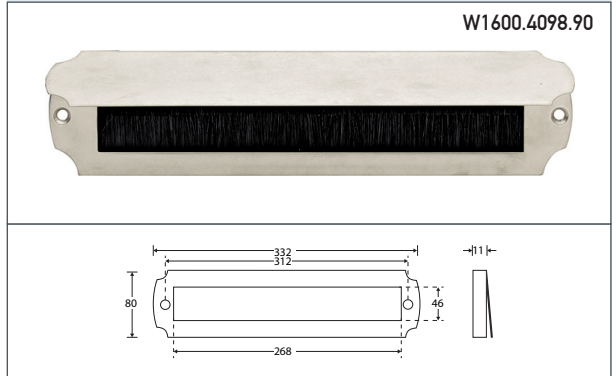
W1600.4013.90

DESCRIPTION	NUMBER
Letter plate Art-Nouveau	00.4004.90



W2500.4004.90

DESCRIPTION	NUMBER
Draught flap Art-Nouveau with brush	00.4098.90

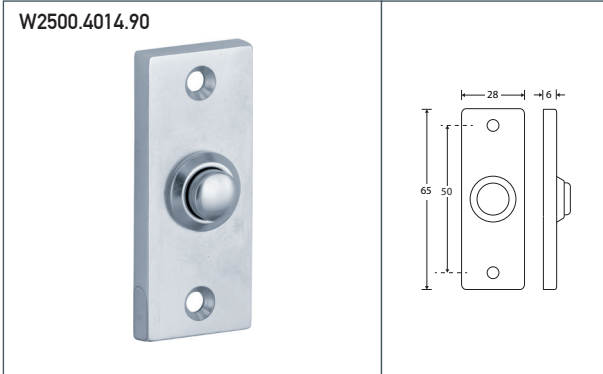


W1600.4098.90

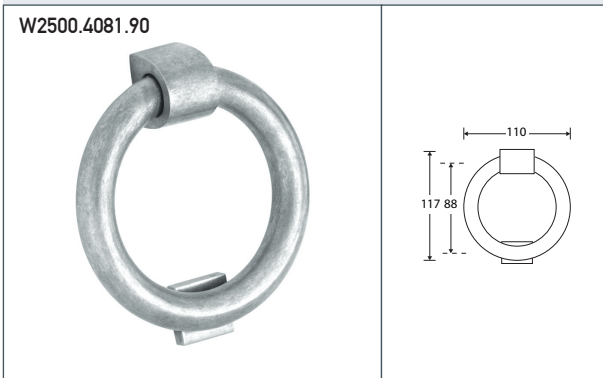


COLORTABLE

- W01 *brass lacquered ebony (interior)*
- W03 *brass PVD bakelite (exterior)*
- W07 *brass lacquered ebony / brass PVD bakelite*
- W11 *polished nickel ebony (interior)*
- W16 *antique nickel ebony (interior)*
- W18 *polished nickel ebony / polished chrome bakelite*
- W20 *antique nickel ebony / antique chrome bakelite*
- W21 *polished chrome bakelite (exterior)*
- W25 *antique chrome bakelite (exterior)*



DESCRIPTION	NUMBER
<i>Doorbell rectangular</i>	<i>00.4014.90</i>



DESCRIPTION	NUMBER
<i>Door knocker</i>	<i>00.4081.90</i>
<i>Nut cap</i>	<i>00.4013.90</i>

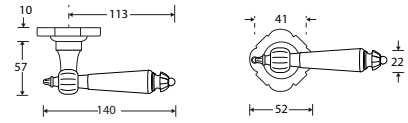
COLORTABLE

W01	<i>brass lacquered ebony (interior)</i>
W03	<i>brass PVD bakelite (exterior)</i>
W07	<i>brass lacquered ebony / brass PVD bakelite</i>
W11	<i>polished nickel ebony (interior)</i>
W16	<i>antique nickel ebony (interior)</i>
W18	<i>polished nickel ebony / polished chrome bakelite</i>
W20	<i>antique nickel ebony / antique chrome bakelite</i>
W21	<i>polished chrome bakelite (exterior)</i>
W25	<i>antique chrome bakelite (exterior)</i>



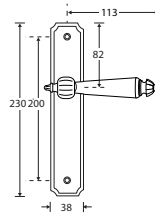
DESCRIPTION	NUMBER
Lever handle set	00.0165.46
Door handle	00.0017.45
Lever rosette	00.2436.60
Key escutcheon	00.2437.56
Euro profile escutcheon	00.2438.57
Free occupied spindle 5-8mm	00.2442.61

W0100.0165.46



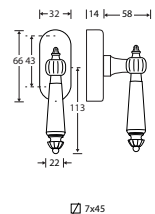
DESCRIPTION	NUMBER
Lever handle set Blind	00.0226.01
Door handle	00.0017.45
Backplate Blind	00.2531.01
Backplate KH56	00.2531.04
Backplate KH72	00.2531.12
Backplate KH92	00.2531.14
Backplate KH110	00.2531.15
Backplate PZ55	00.2531.24
Backplate PZ72	00.2531.27
Backplate PZ92	00.2531.37
Backplate PZ110	00.2531.41
Backplate F063	00.2531.67
Backplate F072	00.2531.70
Backplate F078	00.2531.72
Free occupied spindle 5-8mm	00.2442.61

W1600.0226.01



DESCRIPTION	NUMBER
TT mechanism with handle	00.5728.90

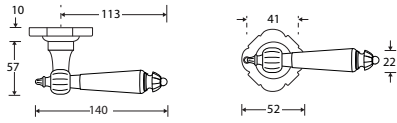
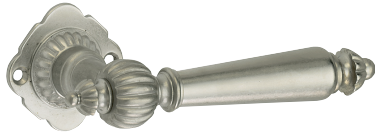
W1600.5728.90



COLORTABLE

W01	brass lacquered bakelite
W11	polished nickel bakelite
W16	antique nickel bakelite

W1600.0176.46

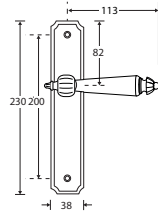


DESCRIPTION

NUMBER

Lever handle set	00.0176.46
Door handle	00.0175.45
Lever rosette	00.2436.60
Key escutcheon	00.2437.56
Euro profile escutcheon	00.2438.57
Free occupied spindle 5-8mm	00.2442.61

W1600.0224.01

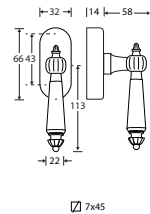


DESCRIPTION

NUMBER

Lever handle set Blind	00.0224.01
Door handle	00.0175.45
Backplate Blind	00.2531.01
Backplate KH56	00.2531.04
Backplate KH72	00.2531.12
Backplate KH92	00.2531.14
Backplate KH110	00.2531.15
Backplate PZ55	00.2531.24
Backplate PZ72	00.2531.27
Backplate PZ92	00.2531.37
Backplate PZ110	00.2531.41
Backplate F063	00.2531.67
Backplate F072	00.2531.70
Backplate F078	00.2531.72
Free occupied spindle 5-8mm	00.2442.61

W1600.5713.90



DESCRIPTION

NUMBER

TT mechanism with handle	00.5713.90
--------------------------	------------

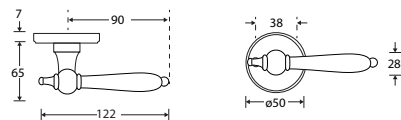
COLORTABLE

W16 antique nickel



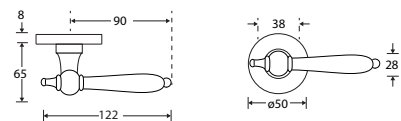
DESCRIPTION	NUMBER
Lever handle set	00.0173.46
Door handle	00.0014.45
Lever rosette	00.2405.60
Key escutcheon	00.2407.56
Euro profile escutcheon	00.2408.57
Free occupied spindle 5-8mm	00.2442.61

W0500.0173.46



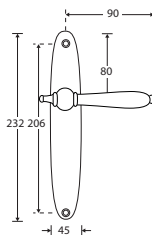
DESCRIPTION	Ω	NUMBER
Lever handle set		00.0227.46
Lever handle set	with spring	00.0227.50
Door handle		00.0014.45
Lever rosette		00.2417.60
Lever rosette	with spring	00.2417.62
Key escutcheon		00.2419.56
Euro profile escutcheon		00.2420.57
Free occupied set 5-8 mm		00.2444.61

W3000.0227.46



DESCRIPTION	NUMBER
Lever handle set Blind	00.0174.01
Door handle	00.0014.45
Backplate Blind	00.2530.01
Backplate KH56	00.2530.04
Backplate KH72	00.2530.12
Backplate KH92	00.2530.14
Backplate PZ55	00.2530.24
Backplate PZ72	00.2530.27
Backplate PZ92	00.2530.37
Backplate FO63	00.2530.67
Backplate FO72	00.2530.70
Backplate FO78	00.2530.72
Free occupied spindle 5-8mm	00.2442.61

W3000.0174.01

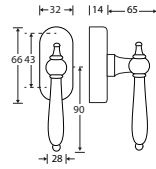


COLORTABLE

W02	brass unlacquered
W05	brass antique
W16	antique nickel
W30	matt black



W3000.5714.90



7x45

DESCRIPTION

TT mechanism with handle

NUMBER

00.5714.90

COLORTABLE

- W02 brass unlacquered
- W05 brass antique
- W16 antique nickel
- W30 matt black



DISTINGUISHED
Elegancy



Mi Satori

TOUCH | FEEL | KNOW

DOOR HANDLES, ROSETTES AND BACK PLATES

All Mi Satori products are repeated in the section on handles, rosettes and back plates. All of these products are available separately, providing endless combinations as you wish. The finishes the products come in are listed clearly for each model. If your chosen combination doesn't come as standard, please contact our customer services. We will be pleased to help you find the desired solution.



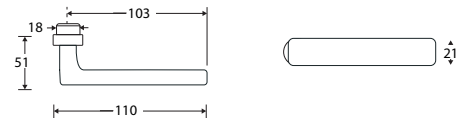
Mi Satori

TOUCH | FEEL | KNOW

PADANIA DOOR HANDLE

DESCRIPTION	NUMBER
Door handle brass lacquered	W0100.0004.45
Hole part Left or Right polished brass PVD	W0300.0004.45L/R
Door handle polished nickel	W1100.0004.45
Door handle satin nickel unlacquered	W1300.0004.45
Hole part Left or Right satin nickel PVD	W1400.0004.45L/R
Door handle polished chrome	W2100.0004.45
Door handle satin chrome	W2300.0004.45

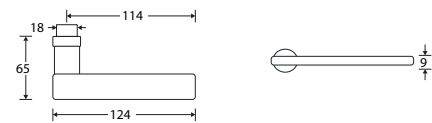
W1100.0004.45



PIATTO DOOR HANDLE

DESCRIPTION	NUMBER
Door handle brass lacquered	W0100.0046.45
Door handle polished nickel	W1100.0046.45
Door handle satin nickel unlacquered	W1300.0046.45
Door handle polished chrome	W2100.0046.45
Door handle satin chrome	W2300.0046.45

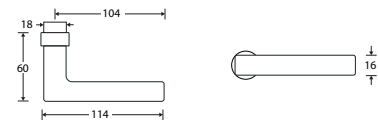
W1100.0046.45



KARE DOOR HANDLE

DESCRIPTION	NUMBER
Door handle brass lacquered	W0100.0005.45
Door handle polished brass PVD	W0300.0005.45
Door handle polished nickel	W1100.0005.45
Door handle satin nickel unlacquered	W1300.0005.45
Door handle satin nickel PVD	W1400.0005.45
Door handle polished chrome	W2100.0005.45
Door handle satin chrome	W2300.0005.45
Door handle matt black	W3000.0005.45

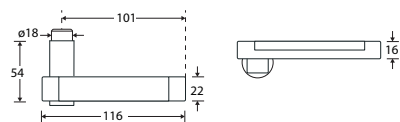
W1100.0005.45



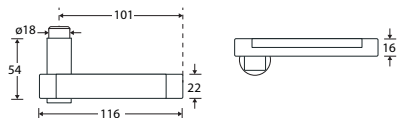
DUAL DOOR HANDLE EBONY

DESCRIPTION	NUMBER
Door handle polished nickel ebony	W1100.0064.45
Door handle satin nickel unlacquered ebony	W1300.0064.45

W1100.0064.45



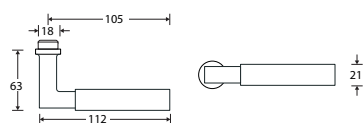
W2100.0063.45R



DUAL HOLE PART BRASS BLACK

DESCRIPTION	NUMBER
Hole part Left or Right satin nickel PVD brass black	W1400.0063.45L/R
Hole part Left or Right polished chrome brass black	W2100.0063.45L/R

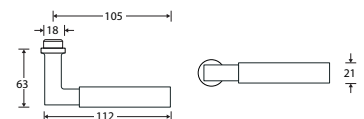
W1100.0024.45



BAUHAUS-STYLE DOOR HANDLE

DESCRIPTION	NUMBER
Door handle brass unlacquered	W0200.0024.45
Door handle brass antique	W0500.0024.45
Door handle polished nickel	W1100.0024.45
Door handle satin nickel unlacquered	W1300.0024.45
Door handle satin nickel PVD	W1400.0024.45
Door handle polished chrome	W2100.0024.45
Door handle matt black	W3000.0024.45

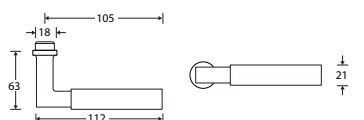
W1100.0025.45



BAUHAUS-STYLE DOOR HANDLE EBONY

DESCRIPTION	NUMBER
Door handle brass unlacquered ebony	W0200.0025.45
Door handle brass antique ebony	W0500.0025.45
Door handle polished nickel ebony	W1100.0025.45
Door handle satin nickel unlacquered ebony	W1300.0025.45
Door handle polished chrome ebony	W2100.0025.45

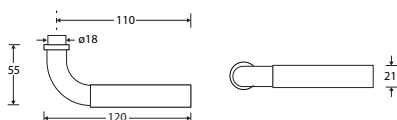
W2100.0065.45R



BAUHAUS-STYLE HOLE PART BRASS BLACK

DESCRIPTION	NUMBER
Hole part Left or Right brass unlacquered brass black	W0200.0065.45L/R
Hole part Left or Right brass antique brass black	W0500.0065.45L/R
Hole part Left or Right satin nickel PVD brass black	W1400.0065.45L/R
Hole part Left or Right polished chrome brass black	W2100.0065.45L/R

W1100.0210.45



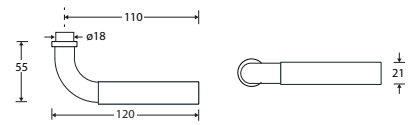
FRANKFURT DOOR HANDLE

DESCRIPTION	NUMBER
Door handle brass unlacquered	W0200.0210.45
Door handle brass antique	W0500.0210.45
Door handle polished nickel	W1100.0210.45
Door handle satin nickel unlacquered	W1300.0210.45
Hole part Left or Right satin nickel PVD	W1400.0210.45L/R
Hole part Left or Right polished chrome	W2100.0210.45L/R

FRANKFURT DOOR HANDLE EBONY

DESCRIPTION	NUMBER
Door handle brass unlacquered ebony	W0200.0113.45
Door handle brass antique ebony	W0500.0113.45
Door handle polished nickel ebony	W1100.0113.45
Door handle satin nickel unlacquered ebony	W1300.0113.45

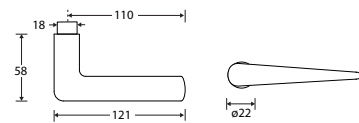
W1100.0113.45



WIG DOOR HANDLE

DESCRIPTION	NUMBER
Door handle polished nickel	W1100.0012.45
Door handle satin nickel unlacquered	W1300.0012.45
Door handle polished chrome	W2100.0012.45
Door handle matt black	W3000.0012.45

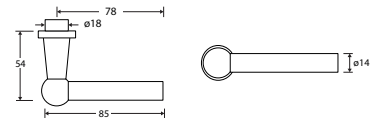
W1100.0012.45



CHEMIN DE FER 85 MM DOOR HANDLE

DESCRIPTION	NUMBER
Door handle brass unlacquered	W0200.0066.45
Door handle brass antique	W0500.0066.45
Door handle polished nickel	W1100.0066.45
Door handle satin nickel unlacquered	W1300.0066.45
Door handle matt black	W3000.0066.45

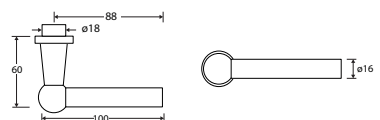
W1100.0066.45



CHEMIN DE FER 100MM DOOR HANDLE

DESCRIPTION	NUMBER
Door handle brass unlacquered	W0200.0069.45
Door handle brass antique	W0500.0069.45
Door handle polished nickel	W1100.0069.45
Door handle satin nickel unlacquered	W1300.0069.45
Hole part Left or Right satin nickel PVD	W1400.0069.45L/R
Hole part Left or Right polished chrome	W2100.0069.45L/R
Door handle matt black	W3000.0069.45

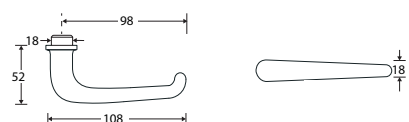
W1100.0069.45



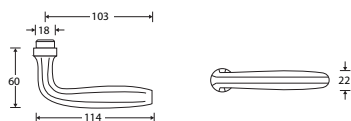
HALF SABRE DOOR HANDLE

DESCRIPTION	NUMBER
Door handle brass lacquered	W0100.0003.45
Door handle brass unlacquered	W0200.0003.45
Hole part Left or Right polished brass PVD	W0300.0003.45L/R
Door handle polished nickel	W1100.0003.45
Door handle polished chrome	W2100.0003.45
Door handle matt black	W3000.0003.45

W1100.0003.45



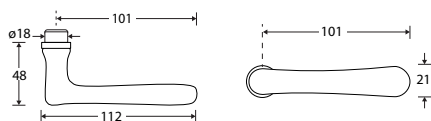
W1100.0009.45



BANANA DOOR HANDLE

DESCRIPTION	NUMBER
Door handle brass lacquered	W0100.0009.45
Door handle polished nickel	W1100.0009.45
Door handle satin nickel unlacquered	W1300.0009.45
Door handle antique nickel unlacquered	W1600.0009.45
Door handle polished chrome	W2100.0009.45

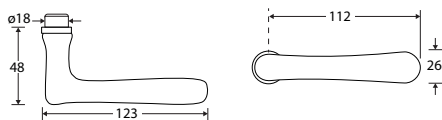
W1100.0010.45



LINEA DOOR HANDLE

DESCRIPTION	NUMBER
Door handle brass lacquered	W0100.0010.45
Door handle brass unlacquered	W0200.0010.45
Hole part Left or Right polished brass PVD	W0300.0010.45L/R
Door handle polished nickel	W1100.0010.45
Door handle satin nickel unlacquered	W1300.0010.45
Hole part Left or Right satin nickel PVD	W1400.0010.45L/R
Door handle polished chrome	W2100.0010.45
Door handle satin chrome	W2300.0010.45
Door handle matt black	W3000.0010.45

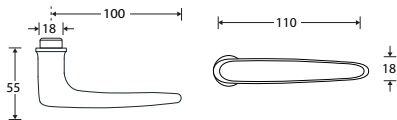
W1100.0043.45



LINEA XL DOOR HANDLE

DESCRIPTION	NUMBER
Door handle brass unlacquered	W0200.0043.45
Door handle polished nickel	W1100.0043.45
Door handle polished chrome	W2100.0043.45
Door handle matt black	W3000.0043.45

W1100.0022.45

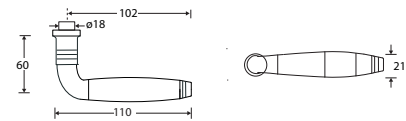


DUDOK DOOR HANDLE

DESCRIPTION	NUMBER
Door handle brass unlacquered	W0200.0022.45
Door handle brass antique	W0500.0022.45
Door handle polished nickel	W1100.0022.45
Door handle satin nickel unlacquered	W1300.0022.45
Door handle polished chrome	W2100.0022.45
Door handle satin chrome	W2300.0022.45
Door handle matt black	W3000.0022.45

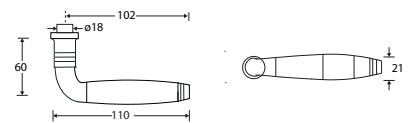
BONTON DOOR HANDLE EBONY	
DESCRIPTION	NUMBER
Door handle brass unlacquered ebony	W0200.0186.45
Door handle polished nickel ebony	W1100.0186.45
Door handle antique nickel unlacquered ebony	W1600.0186.45

W1100.0186.45



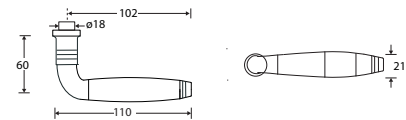
BONTON HOLE PART BRASS BLACK	
DESCRIPTION	NUMBER
Hole part Left or Right brass unlacquered brass black	W0200.0187.45L/R
Hole part Left or Right polished chrome brass black	W2100.0187.45L/R
Hole part Left or Right antique chrome brass black	W2500.0187.45L/R

W2100.0187.45R



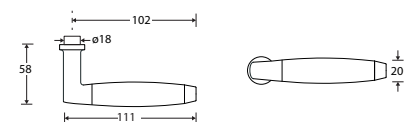
BONTON DOOR HANDLE BUBINGA	
DESCRIPTION	NUMBER
Door handle brass unlacquered bubinga	W0200.0200.45

W0200.0200.45

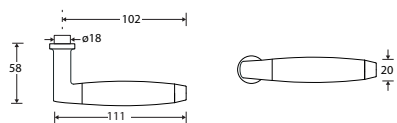


TON DOOR HANDLE EBONY	
DESCRIPTION	NUMBER
Door handle brass lacquered ebony	W0100.0030.45
Door handle brass unlacquered ebony	W0200.0030.45
Door handle brass antique ebony	W0500.0030.45
Door handle polished nickel ebony	W1100.0030.45
Door handle satin nickel unlacquered ebony	W1300.0030.45
Door handle antique nickel unlacquered ebony	W1600.0030.45
Door handle polished chrome ebony	W2100.0030.45
Door handle satin chrome ebony	W2300.0030.45

W1100.0030.45



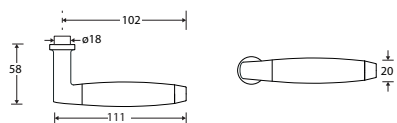
W2100.0138.45R



TON HOLE PART BRASS BLACK

DESCRIPTION	NUMBER
Hole part Left or Right brass unlacquered brass black	W0200.0138.45L/R
Hole part Left or Right polished brass PVD brass black	W0300.0138.45L/R
Hole part Left or Right brass antique brass black	W0500.0138.45L/R
Hole part Left or Right satin nickel PVD brass black	W1400.0138.45L/R
Hole part Left or Right polished chrome brass black	W2100.0138.45L/R
Hole part Left or Right satin chrome brass black	W2300.0138.45L/R
Hole part Left or Right antique chrome brass black	W2500.0138.45L/R

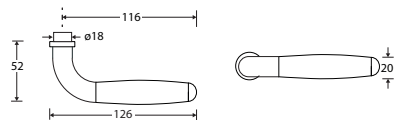
W3000.0029.45



TON DOOR HANDLE TEAK

DESCRIPTION	NUMBER
Door handle matt black / teak	W3000.0029.45

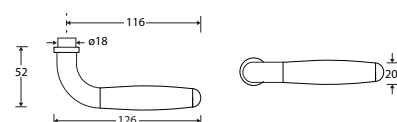
W1100.0182.45



BATON DOOR HANDLE FOREST FRIENDLY

DESCRIPTION	NUMBER
Door handle polished nickel Forest Friendly	W1100.0182.45
Door handle satin nickel unlacquered Forest Friendly	W1300.0182.45

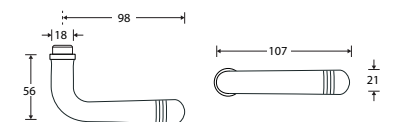
W2100.0180.45R



BATON HOLE PART BRASS BLACK

DESCRIPTION	NUMBER
Hole part Left or Right satin nickel PVD brass black	W1400.0180.45L/R
Hole part Left or Right polished chrome brass black	W2100.0180.45L/R

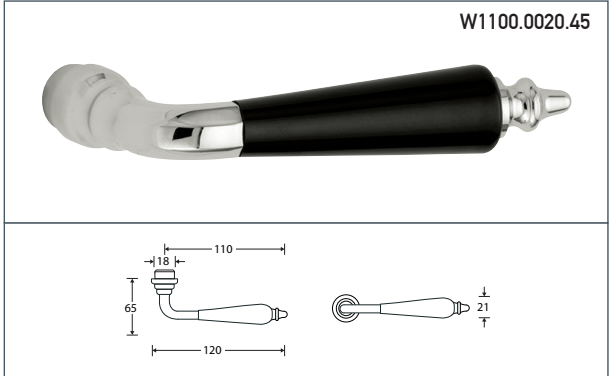
W1100.0023.45



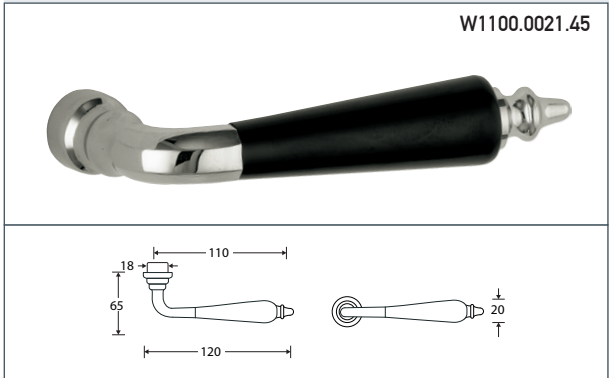
ART-DECO DOOR HANDLE

DESCRIPTION	NUMBER
Door handle brass lacquered	W0100.0023.45
Hole part Left or Right polished brass PVD	W0300.0023.45L/R
Door handle polished nickel	W1100.0023.45
Door handle satin nickel unlacquered	W1300.0023.45
Hole part Left or Right satin nickel PVD	W1400.0023.45L/R
Door handle polished chrome	W2100.0023.45

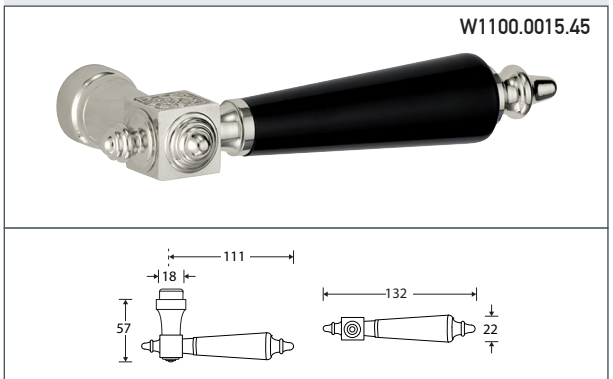
ANTIQUE DOOR HANDLE EBONY	
DESCRIPTION	NUMBER
Door handle brass lacquered ebony	W0100.0020.45
Door handle polished nickel ebony	W1100.0020.45
Door handle antique nickel unlacquered ebony	W1600.0020.45



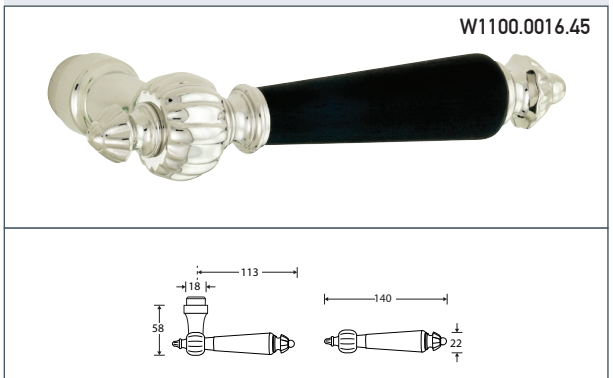
ANTIQUE DOOR HANDLE BAKELITE	
DESCRIPTION	NUMBER
Door handle brass lacquered bakelite	W0100.0021.45
Hole part Left or Right polished brass PVD bakelite	W0300.0021.45L/R
Door handle polished nickel bakelite	W1100.0021.45
Door handle antique nickel bakelite	W1600.0021.45
Hole part Left or Right polished chrome bakelite	W2100.0021.45L/R
Hole part Left or Right antique chrome bakelite	W2500.0021.45L/R



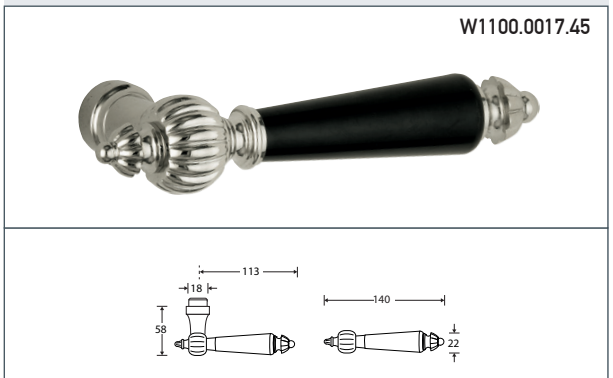
ROMAN DOOR HANDLE BAKELITE	
DESCRIPTION	NUMBER
Door handle brass lacquered bakelite	W0100.0015.45
Hole part Left or Right polished brass PVD bakelite	W0300.0015.45L/R
Door handle polished nickel bakelite	W1100.0015.45
Hole part Left or Right polished chrome bakelite	W2100.0015.45L/R



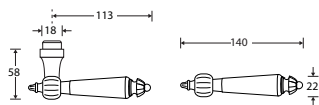
NOUVEAU DOOR HANDLE EBONY	
DESCRIPTION	NUMBER
Door handle brass lacquered ebony	W0100.0016.45
Door handle polished nickel ebony	W1100.0016.45
Door handle antique nickel unlacquered ebony	W1600.0016.45



NOUVEAU DOOR HANDLE BAKELITE	
DESCRIPTION	NUMBER
Door handle brass lacquered bakelite	W0100.0017.45
Hole part Left or Right polished brass PVD bakelite	W0300.0017.45L/R
Door handle polished nickel bakelite	W1100.0017.45
Door handle antique nickel bakelite	W1600.0017.45
Hole part Left or Right polished chrome bakelite	W2100.0017.45L/R
Hole part Left or Right antique chrome bakelite	W2500.0017.45L/R



W1600.0175.45



NOUVEAU DOOR HANDLE

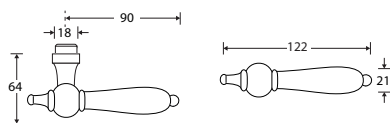
DESCRIPTION

NUMBER

Door handle antique nickel unlacquered

W1600.0175.45

W1600.0014.45



BAROCK DOOR HANDLE

DESCRIPTION

NUMBER

Door handle brass unlacquered

W0200.0014.45

Door handle brass antique

W0500.0014.45

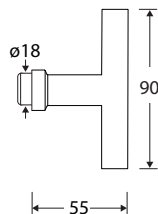
Door handle antique nickel unlacquered

W1600.0014.45

Door handle matt black

W3000.0014.45

W1100.0239.44



KARE HOLE PART T

DESCRIPTION

NUMBER

Hole part T brass lacquered

W0100.0239.44

Hole part T polished nickel

W1100.0239.44

Hole part T satin nickel unlacquered

W1300.0239.44

Hole part T polished chrome

W2100.0239.44

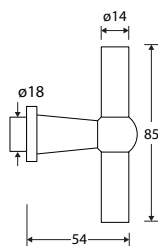
Hole part T satin chrome

W2300.0239.44

Hole part T matt black

W3000.0239.44

W1100.0095.44



CHEMIN DE FER 85 MM HOLE PART T

DESCRIPTION

NUMBER

Hole part T brass unlacquered

W0200.0095.44

Hole part T brass antique

W0500.0095.44

Hole part T polished nickel

W1100.0095.44

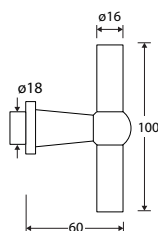
Hole part T satin nickel unlacquered

W1300.0095.44

Hole part T matt black

W3000.0095.44

W1100.0096.44



CHEMIN DE FER 100MM HOLE PART T

DESCRIPTION

NUMBER

Hole part T brass unlacquered

W0200.0096.44

Hole part T brass antique

W0500.0096.44

Hole part T polished nickel

W1100.0096.44

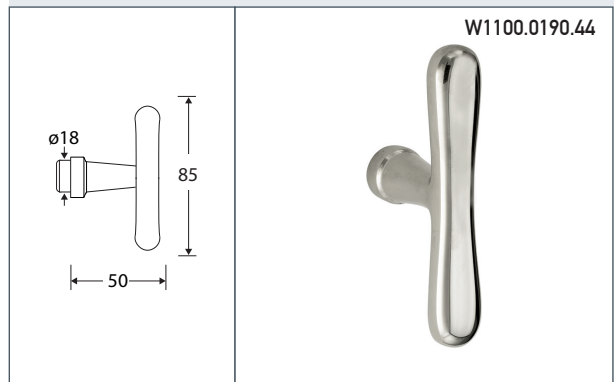
Hole part T satin nickel unlacquered

W1300.0096.44

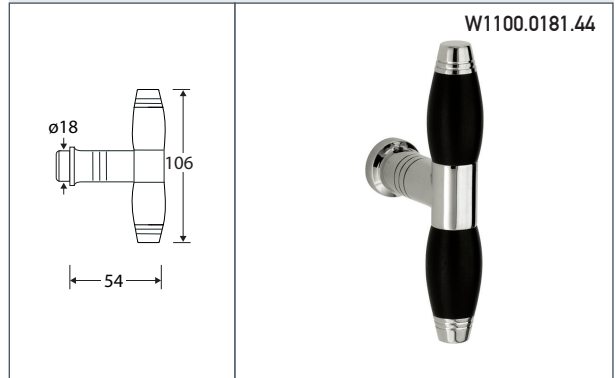
Hole part T matt black

W3000.0096.44

LINEA HOLE PART T	
DESCRIPTION	NUMBER
Hole part T brass lacquered	W0100.0190.44
Hole part T brass unlacquered	W0200.0190.44
Hole part T polished nickel	W1100.0190.44
Hole part T satin nickel unlacquered	W1300.0190.44
Hole part T polished chrome	W2100.0190.44
Hole part T satin chrome	W2300.0190.44
Hole part T matt black	W3000.0190.44



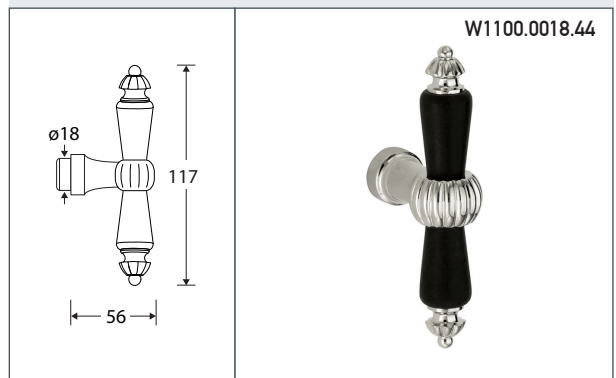
BONTON HOLE PART T EBONY	
DESCRIPTION	NUMBER
Hole part T brass unlacquered ebony	W0200.0181.44
Hole part T polished nickel ebony	W1100.0181.44
Hole part T antique nickel unlacquered ebony	W1600.0181.44



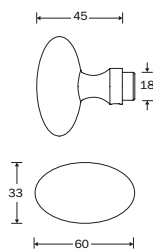
TON HOLE PART T EBONY	
DESCRIPTION	NUMBER
Hole part T brass lacquered ebony	W0100.0188.44
Hole part T brass unlacquered ebony	W0200.0188.44
Hole part T brass antique ebony	W0500.0188.44
Hole part T polished nickel ebony	W1100.0188.44
Hole part T satin nickel unlacquered ebony	W1300.0188.44
Hole part T antique nickel unlacquered ebony	W1600.0188.44
Hole part T satin chrome ebony	W2300.0188.44



NOUVEAU HOLE PART T EBONY	
DESCRIPTION	NUMBER
Hole part T brass lacquered ebony	W0100.0018.44
Hole part T polished nickel ebony	W1100.0018.44
Hole part T antique nickel unlacquered ebony	W1600.0018.44



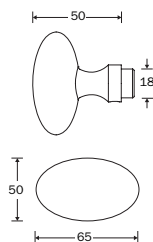
W1100.0041.45



EGG KNOB HANDLE SET

DESCRIPTION	NUMBER
Knob handle set brass lacquered	W0100.0041.45
Knob handle set brass antique	W0500.0041.45
Knob handle set polished nickel	W1100.0041.45
Knob handle set satin nickel unlacquered	W1300.0041.45
Knob handle set antique nickel unlacquered	W1600.0041.45
Knob handle set polished chrome	W2100.0041.45
Knob handle set satin chrome	W2300.0041.45
Knob handle set matt black	W3000.0041.45

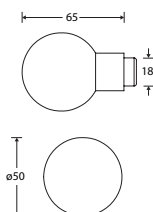
W1100.0042.45



EGG KNOB HANDLE SET

DESCRIPTION	NUMBER
Knob handle set brass lacquered	W0100.0042.45
Knob handle set brass unlacquered	W0200.0042.45
Knob handle set brass antique	W0500.0042.45
Knob handle set polished nickel	W1100.0042.45
Knob handle set satin nickel unlacquered	W1300.0042.45
Knob handle set antique nickel unlacquered	W1600.0042.45
Knob handle set polished chrome	W2100.0042.45
Knob handle set satin chrome	W2300.0042.45
Knob handle set matt black	W3000.0042.45

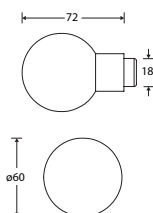
W1100.0044.45



BALL KNOB HANDLE 50MM

DESCRIPTION	NUMBER
Knob handle 50mm brass lacquered	W0100.0044.45
Knob handle 50mm brass unlacquered	W0200.0044.45
Knob handle 50mm brass antique	W0500.0044.45
Knob handle 50mm polished nickel	W1100.0044.45
Knob handle 50mm satin nickel unlacquered	W1300.0044.45
Knob handle 50mm polished chrome	W2100.0044.45
Knob handle 50mm satin chrome	W2300.0044.45
Knob handle 50mm matt black	W3000.0044.45

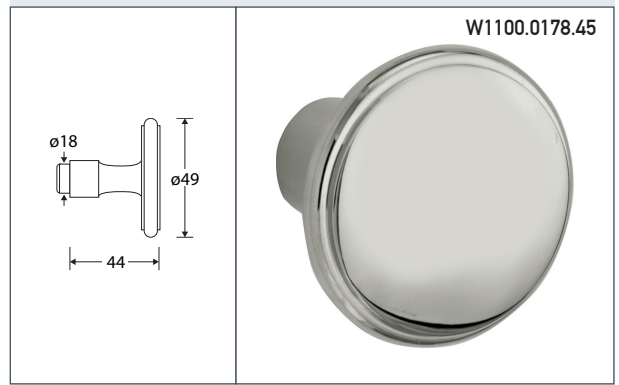
W1100.0045.45



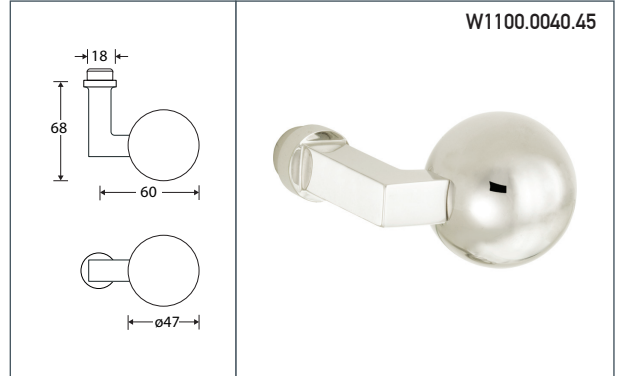
BALL KNOB HANDLE 60MM

DESCRIPTION	NUMBER
Knob handle 60mm brass lacquered	W0100.0045.45
Knob handle 60mm brass unlacquered	W0200.0045.45
Knob handle 60mm brass antique	W0500.0045.45
Knob handle 60mm polished nickel	W1100.0045.45
Knob handle 60mm satin nickel unlacquered	W1300.0045.45
Knob handle 60mm polished chrome	W2100.0045.45
Knob handle 60mm satin chrome	W2300.0045.45
Knob handle 60mm matt black	W3000.0045.45

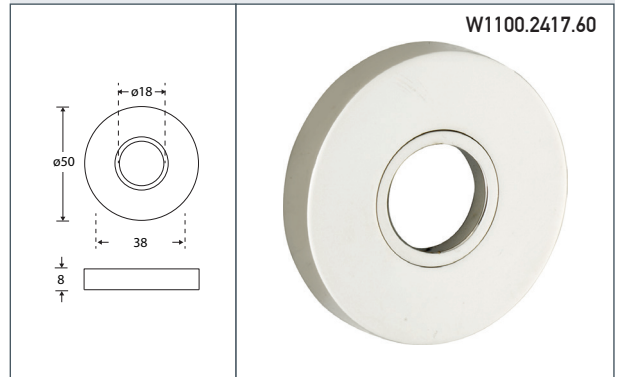
ART-DECO KNOB HANDLE SET	
DESCRIPTION	NUMBER
Knob handle set brass lacquered	W0100.0178.45
Knob handle set polished nickel	W1100.0178.45
Knob handle set satin nickel unlacquered	W1300.0178.45
Knob handle set polished chrome	W2100.0178.45



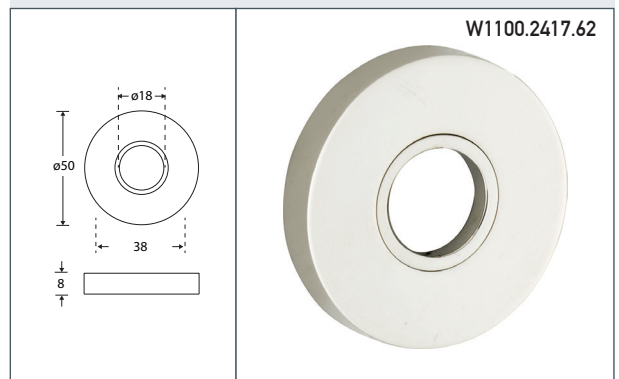
BAUHAUS-STYLE KNOB HANDLE SET	
DESCRIPTION	NUMBER
Knob handle set brass lacquered	W0100.0040.45
Knob handle set brass unlacquered	W0200.0040.45
Knob handle set brass antique	W0500.0040.45
Knob handle set polished nickel	W1100.0040.45
Knob handle set satin nickel unlacquered	W1300.0040.45
Knob handle set polished chrome	W2100.0040.45
Knob handle set matt black	W3000.0040.45



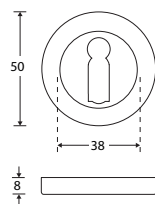
VIVO LEVER ROSETTE CONCEALED	
DESCRIPTION	NUMBER
Lever rosette brass lacquered	W0100.2417.60
Lever rosette brass unlacquered	W0200.2417.60
Lever rosette brass antique	W0500.2417.60
Lever rosette polished nickel	W1100.2417.60
Lever rosette satin nickel unlacquered	W1300.2417.60
Lever rosette antique nickel unlacquered	W1600.2417.60
Lever rosette polished chrome	W2100.2417.60
Lever rosette satin chrome	W2300.2417.60
Lever rosette matt black	W3000.2417.60



VIVO LEVER ROSETTE CONCEALED		
DESCRIPTION	Ω	NUMBER
Lever rosette brass lacquered	with spring	W0100.2417.62
Lever rosette brass unlacquered	with spring	W0200.2417.62
Lever rosette brass antique	with spring	W0500.2417.62
Lever rosette polished nickel	with spring	W1100.2417.62
Lever rosette satin nickel unlacquered	with spring	W1300.2417.62
Lever rosette antique nickel unlacquered	with spring	W1600.2417.62
Lever rosette polished chrome	with spring	W2100.2417.62
Lever rosette satin chrome	with spring	W2300.2417.62
Lever rosette matt black	with spring	W3000.2417.62



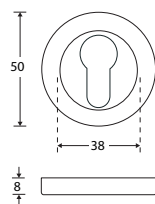
W1100.2419.56



VIVO KEY ESCUTCHEON CONCEALED

DESCRIPTION	NUMBER
Key escutcheon brass lacquered	W0100.2419.56
Key escutcheon brass unlacquered	W0200.2419.56
Key escutcheon brass antique	W0500.2419.56
Key escutcheon polished nickel	W1100.2419.56
Key escutcheon satin nickel unlacquered	W1300.2419.56
Key escutcheon antique nickel unlacquered	W1600.2419.56
Key escutcheon polished chrome	W2100.2419.56
Key escutcheon satin chrome	W2300.2419.56
Key escutcheon matt black	W3000.2419.56

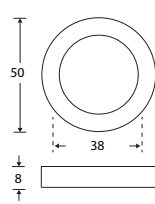
W1100.2420.57



VIVO EURO PROFILE ESCUTCHEON CONCEALED

DESCRIPTION	NUMBER
Euro profile escutcheon brass lacquered	W0100.2420.57
Euro profile escutcheon brass unlacquered	W0200.2420.57
Euro profile escutcheon brass antique	W0500.2420.57
Euro profile escutcheon polished nickel	W1100.2420.57
Euro profile escutcheon satin nickel unlacquered	W1300.2420.57
Euro profile escutcheon antique nickel unlacquered	W1600.2420.57
Euro profile escutcheon polished chrome	W2100.2420.57
Euro profile escutcheon satin chrome	W2300.2420.57
Euro profile escutcheon matt black	W3000.2420.57

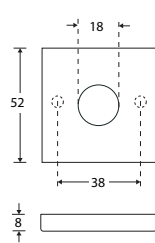
W1100.2421.54



VIVO BLANK ESCUTCHEON CONCEALED

DESCRIPTION	NUMBER
Blank escutcheon brass lacquered	W0100.2421.54
Blank escutcheon brass unlacquered	W0200.2421.54
Blank escutcheon brass antique	W0500.2421.54
Blank escutcheon polished nickel	W1100.2421.54
Blank escutcheon satin nickel unlacquered	W1300.2421.54
Blank escutcheon antique nickel unlacquered	W1600.2421.54
Blank escutcheon polished chrome	W2100.2421.54
Blank escutcheon satin chrome	W2300.2421.54
Blank escutcheon matt black	W3000.2421.54

W1100.2429.60

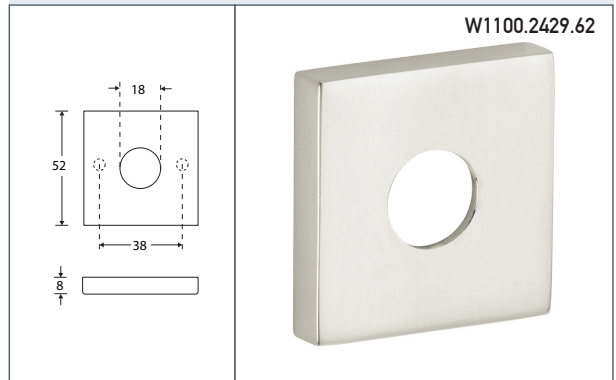


BAUHAUS-STYLE LEVER ROSETTE CONCEALED

DESCRIPTION	NUMBER
Lever rosette concealed brass lacquered	W0100.2429.60
Lever rosette concealed brass unlacquered	W0200.2429.60
Lever rosette concealed brass antique	W0500.2429.60
Lever rosette concealed polished nickel	W1100.2429.60
Lever rosette concealed satin nickel unlacquered	W1300.2429.60
Lever rosette concealed polished chrome	W2100.2429.60
Lever rosette concealed satin chrome	W2300.2429.60
Lever rosette concealed matt black	W3000.2429.60

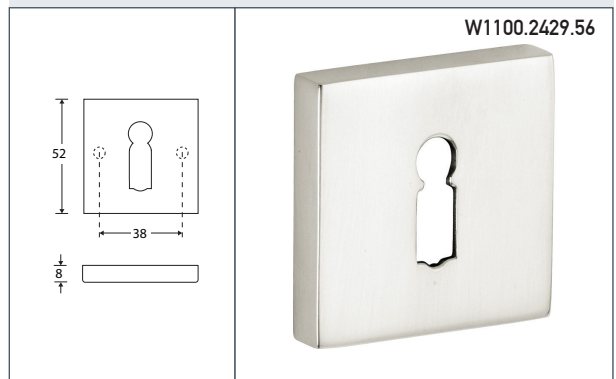
BAUHAUS-STYLE LEVER ROSETTE CONCEALED

DESCRIPTION	Ω	NUMBER
Lever rosette concealed brass lacquered	with spring	W0100.2429.62
Lever rosette concealed brass unlacquered	with spring	W0200.2429.62
Lever rosette concealed brass antique	with spring	W0500.2429.62
Lever rosette concealed polished nickel	with spring	W1100.2429.62
Lever rosette concealed satin nickel unlacquered	with spring	W1300.2429.62
Lever rosette concealed polished chrome	with spring	W2100.2429.62
Lever rosette concealed satin chrome	with spring	W2300.2429.62
Lever rosette concealed matt black	with spring	W3000.2429.62



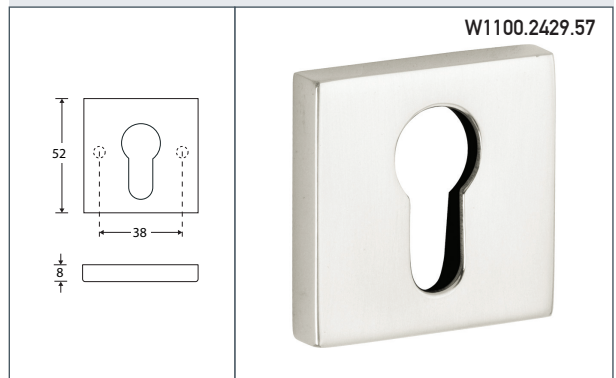
BAUHAUS-STYLE KEY ESCUTCHEON CONCEALED

DESCRIPTION	NUMBER
Key escutcheon concealed brass lacquered	W0100.2429.56
Key escutcheon concealed brass unlacquered	W0200.2429.56
Key escutcheon concealed brass antique	W0500.2429.56
Key escutcheon concealed polished nickel	W1100.2429.56
Key escutcheon concealed satin nickel unlacquered	W1300.2429.56
Key escutcheon concealed polished chrome	W2100.2429.56
Key escutcheon concealed satin chrome	W2300.2429.56
Key escutcheon concealed matt black	W3000.2429.56



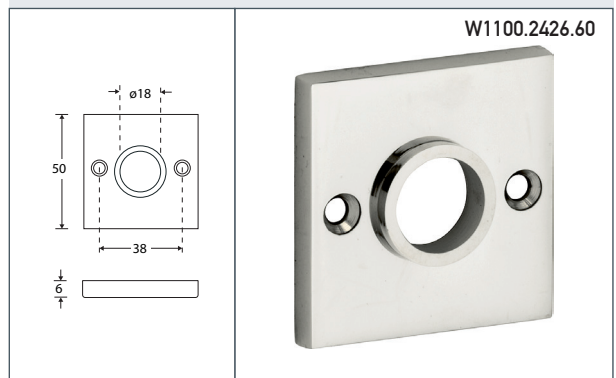
BAUHAUS-STYLE EURO PROFILE ESCUTCHEON CONCEALED

DESCRIPTION	NUMBER
Euro profile escutcheon brass lacquered	W0100.2429.57
Euro profile escutcheon brass unlacquered	W0200.2429.57
Euro profile escutcheon brass antique	W0500.2429.57
Euro profile escutcheon polished nickel	W1100.2429.57
Euro profile escutcheon satin nickel unlacquered	W1300.2429.57
Euro profile escutcheon polished chrome	W2100.2429.57
Euro profile escutcheon satin chrome	W2300.2429.57
Euro profile escutcheon matt black	W3000.2429.57

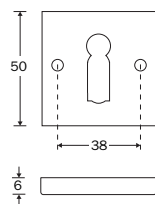


BAUHAUS-STYLE LEVER ROSETTE

DESCRIPTION	NUMBER
Lever rosette brass lacquered	W0100.2426.60
Lever rosette brass unlacquered	W0200.2426.60
Lever rosette brass antique	W0500.2426.60
Lever rosette polished nickel	W1100.2426.60
Lever rosette satin nickel unlacquered	W1300.2426.60
Lever rosette polished chrome	W2100.2426.60
Lever rosette satin chrome	W2300.2426.60
Lever rosette matt black	W3000.2426.60



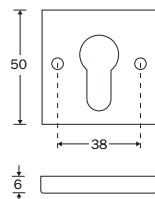
W1100.2427.56



BAUHAUS-STYLE KEY ESCUTCHEON

DESCRIPTION	NUMBER
Key escutcheon brass lacquered	W0100.2427.56
Key escutcheon brass unlacquered	W0200.2427.56
Key escutcheon brass antique	W0500.2427.56
Key escutcheon polished nickel	W1100.2427.56
Key escutcheon satin nickel unlacquered	W1300.2427.56
Key escutcheon polished chrome	W2100.2427.56
Key escutcheon satin chrome	W2300.2427.56
Key escutcheon matt black	W3000.2427.56

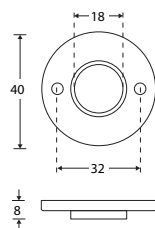
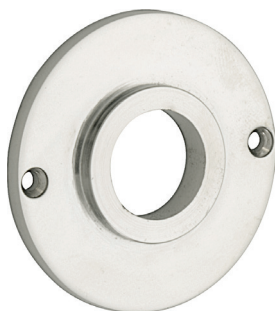
W1100.2428.57



BAUHAUS-STYLE EURO PROFILE ESCUTCHEON

DESCRIPTION	NUMBER
Euro profile escutcheon brass lacquered	W0100.2428.57
Euro profile escutcheon brass unlacquered	W0200.2428.57
Euro profile escutcheon brass antique	W0500.2428.57
Euro profile escutcheon polished nickel	W1100.2428.57
Euro profile escutcheon satin nickel unlacquered	W1300.2428.57
Euro profile escutcheon polished chrome	W2100.2428.57
Euro profile escutcheon satin chrome	W2300.2428.57
Euro profile escutcheon matt black	W3000.2428.57

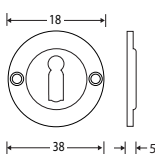
W1100.2513.60



CHEMIN DE FER LEVER ROSETTE 40MM

DESCRIPTION	NUMBER
Lever rosette 40mm brass unlacquered	W0200.2513.60
Lever rosette 40mm brass antique	W0500.2513.60
Lever rosette 40mm polished nickel	W1100.2513.60
Lever rosette 40mm satin nickel unlacquered	W1300.2513.60
Lever rosette 40mm matt black	W3000.2513.60

W1100.2523.55

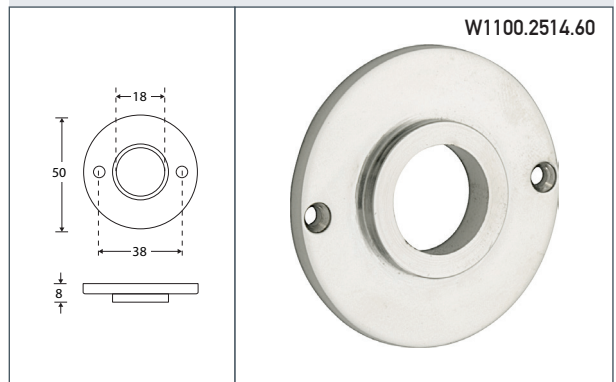


CHEMIN DE FER KEY ESCUTCHEON 40MM

DESCRIPTION	NUMBER
Key escutcheon 40mm brass unlacquered	W0200.2523.55
Key escutcheon 40mm brass antique	W0500.2523.55
Key escutcheon 40mm polished nickel	W1100.2523.55
Key escutcheon 40mm satin nickel unlacquered	W1300.2523.55
Key escutcheon 40mm matt black	W3000.2523.55

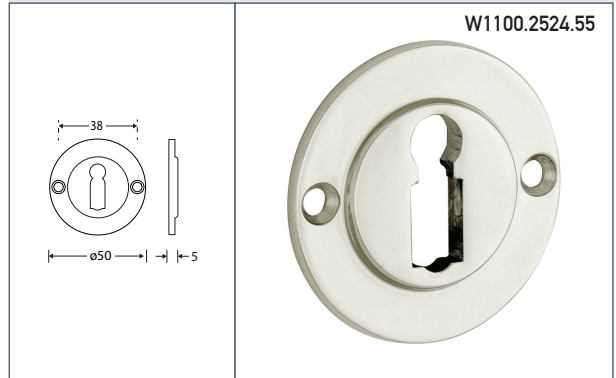
CHEMIN DE FER LEVER ROSETTE 50MM

DESCRIPTION	NUMBER
Lever rosette 50mm brass unlacquered	W0200.2514.60
Lever rosette 50mm brass antique	W0500.2514.60
Lever rosette 50mm polished nickel	W1100.2514.60
Lever rosette 50mm satin nickel unlacquered	W1300.2514.60
Lever rosette 50mm polished chrome	W2100.2514.60
Lever rosette 50mm matt black	W3000.2514.60



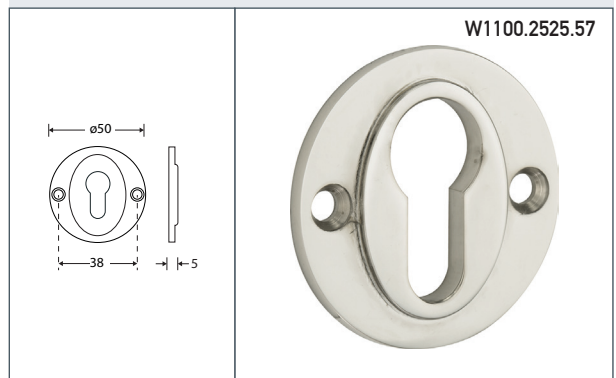
CHEMIN DE FER KEY ESCUTCHEON 50MM

DESCRIPTION	NUMBER
Key escutcheon 50mm brass unlacquered	W0200.2524.55
Key escutcheon 50mm brass antique	W0500.2524.55
Key escutcheon 50mm polished nickel	W1100.2524.55
Key escutcheon 50mm satin nickel unlacquered	W1300.2524.55
Key escutcheon 50mm polished chrome	W2100.2524.55
Key escutcheon 50mm matt black	W3000.2524.55



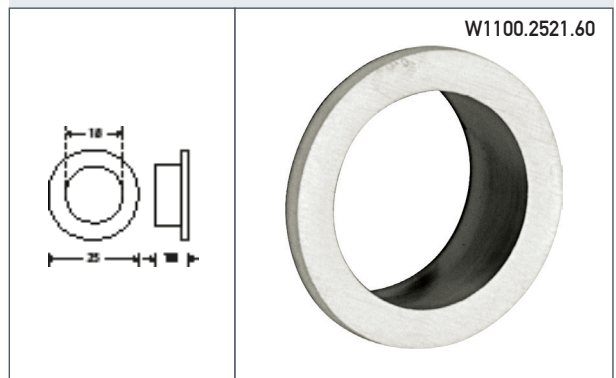
CHEMIN DE FER EURO PROFILE ESCUTCHEON 50MM

DESCRIPTION	NUMBER
Euro profile escutcheon 50mm brass unlacquered	W0200.2525.57
Euro profile escutcheon 50mm brass antique	W0500.2525.57
Euro profile escutcheon 50mm polished nickel	W1100.2525.57
Euro profile escutcheon 50mm satin nickel unlacquered	W1300.2525.57
Euro profile escutcheon 50mm polished chrome	W2100.2525.57
Euro profile escutcheon 50mm matt black	W3000.2525.57



MINI ROUND LEVER ROSETTE

DESCRIPTION	NUMBER
Lever rosette brass lacquered	W0100.2521.60
Lever rosette polished nickel	W1100.2521.60
Lever rosette satin nickel unlacquered	W1300.2521.60
Lever rosette polished chrome	W2100.2521.60
Lever rosette satin chrome	W2300.2521.60
Lever rosette matt black	W3000.2521.60

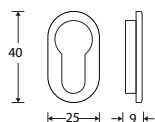


MINI ROUND KEY ESCUTCHEON

DESCRIPTION	NUMBER
Key escutcheon brass lacquered	W0100.2522.55
Key escutcheon polished nickel	W1100.2522.55
Key escutcheon satin nickel unlacquered	W1300.2522.55
Key escutcheon polished chrome	W2100.2522.55
Key escutcheon satin chrome	W2300.2522.55
Key escutcheon matt black	W3000.2522.55



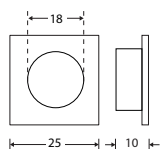
W1100.2528.57



MINI ROUND EURO PROFILE ESCUTCHEON

DESCRIPTION	NUMBER
Euro profile escutcheon brass lacquered	W0100.2528.57
Euro profile escutcheon polished nickel	W1100.2528.57
Euro profile escutcheon satin nickel unlacquered	W1300.2528.57
Euro profile escutcheon polished chrome	W2100.2528.57
Euro profile escutcheon satin chrome	W2300.2528.57
Euro profile escutcheon matt black	W3000.2528.57

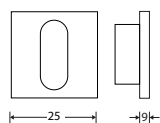
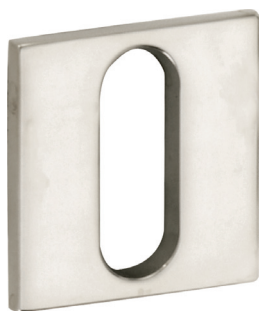
W1100.2519.60



MINI SQUARE LEVER ROSETTE

DESCRIPTION	NUMBER
Lever rosette brass lacquered	W0100.2519.60
Lever rosette polished nickel	W1100.2519.60
Lever rosette satin nickel unlacquered	W1300.2519.60
Lever rosette polished chrome	W2100.2519.60
Lever rosette satin chrome	W2300.2519.60
Lever rosette matt black	W3000.2519.60

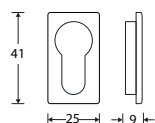
W1100.2520.55



MINI SQUARE KEY ESCUTCHEON

DESCRIPTION	NUMBER
Key escutcheon brass lacquered	W0100.2520.55
Key escutcheon polished nickel	W1100.2520.55
Key escutcheon satin nickel unlacquered	W1300.2520.55
Key escutcheon polished chrome	W2100.2520.55
Key escutcheon satin chrome	W2300.2520.55
Key escutcheon matt black	W3000.2520.55

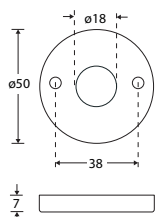
W1100.2529.57



MINI SQUARE EURO PROFILE ESCUTCHEON

DESCRIPTION	NUMBER
Euro profile escutcheon brass lacquered	W0100.2529.57
Euro profile escutcheon polished nickel	W1100.2529.57
Euro profile escutcheon satin nickel unlacquered	W1300.2529.57
Euro profile escutcheon polished chrome	W2100.2529.57
Euro profile escutcheon satin chrome	W2300.2529.57
Euro profile escutcheon matt black	W3000.2529.57

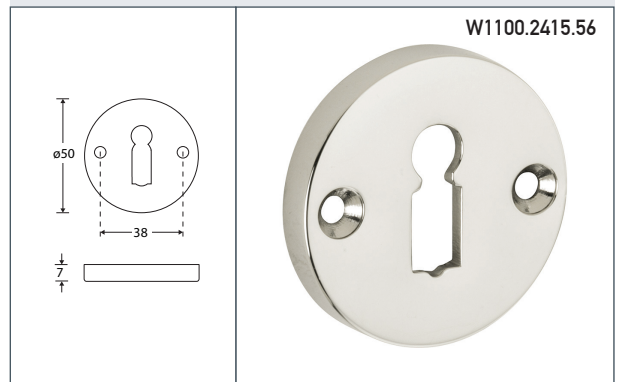
W1100.2413.60



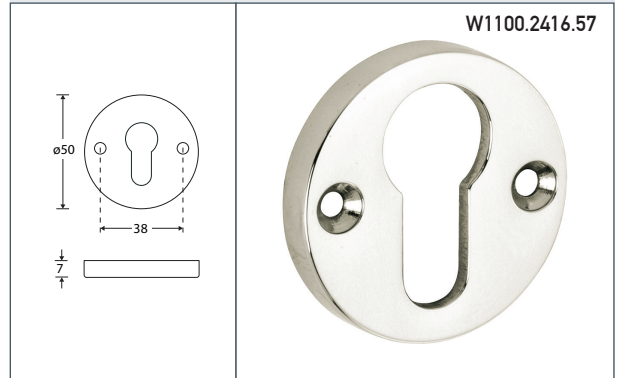
ELEGANT LEVER ROSETTE

DESCRIPTION	NUMBER
Lever rosette brass lacquered	W0100.2413.60
Lever rosette brass unlacquered	W0200.2413.60
Lever rosette polished nickel	W1100.2413.60
Lever rosette satin nickel unlacquered	W1300.2413.60
Lever rosette antique nickel unlacquered	W1600.2413.60
Lever rosette polished chrome	W2100.2413.60

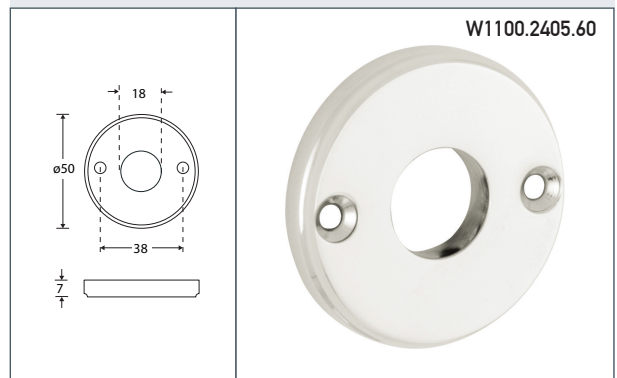
ELEGANT KEY ESCUTCHEON	
DESCRIPTION	NUMBER
Key escutcheon brass lacquered	W0100.2415.56
Key escutcheon brass unlacquered	W0200.2415.56
Key escutcheon polished nickel	W1100.2415.56
Key escutcheon satin nickel unlacquered	W1300.2415.56
Key escutcheon antique nickel unlacquered	W1600.2415.56
Key escutcheon polished chrome	W2100.2415.56



ELEGANT EURO PROFILE ESCUTCHEON	
DESCRIPTION	NUMBER
Euro profile escutcheon brass lacquered	W0100.2416.57
Euro profile escutcheon brass unlacquered	W0200.2416.57
Euro profile escutcheon polished nickel	W1100.2416.57
Euro profile escutcheon satin nickel unlacquered	W1300.2416.57
Euro profile escutcheon antique nickel unlacquered	W1600.2416.57
Euro profile escutcheon polished chrome	W2100.2416.57



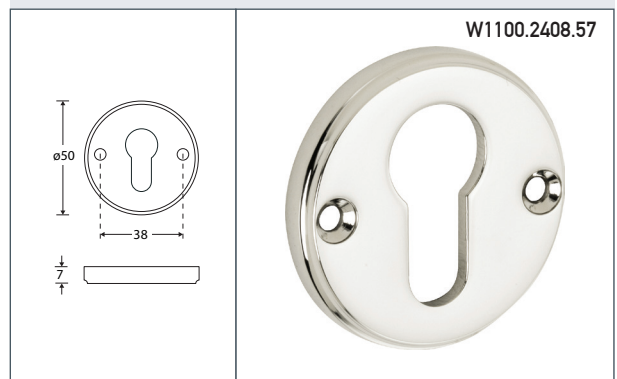
FACET LEVER ROSETTE	
DESCRIPTION	NUMBER
Lever rosette brass lacquered	W0100.2405.60
Lever rosette brass unlacquered	W0200.2405.60
Lever rosette brass antique	W0500.2405.60
Lever rosette polished nickel	W1100.2405.60
Lever rosette antique nickel unlacquered	W1600.2405.60
Lever rosette matt black	W3000.2405.60



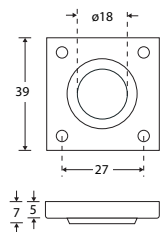
FACET KEY ESCUTCHEON	
DESCRIPTION	NUMBER
Key escutcheon brass lacquered	W0100.2407.56
Key escutcheon brass unlacquered	W0200.2407.56
Key escutcheon brass antique	W0500.2407.56
Key escutcheon polished nickel	W1100.2407.56
Key escutcheon antique nickel unlacquered	W1600.2407.56
Key escutcheon matt black	W3000.2407.56



FACET EURO PROFILE ESCUTCHEON	
DESCRIPTION	NUMBER
Euro profile escutcheon brass lacquered	W0100.2408.57
Euro profile escutcheon brass unlacquered	W0200.2408.57
Euro profile escutcheon brass antique	W0500.2408.57
Euro profile escutcheon polished nickel	W1100.2408.57
Euro profile escutcheon antique nickel unlacquered	W1600.2408.57
Euro profile escutcheon matt black	W3000.2408.57



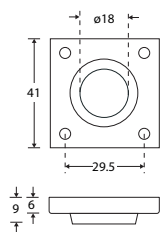
W1100.2422.60



SQUARE LEVER ROSETTE

DESCRIPTION	NUMBER
Lever rosette brass lacquered	W0100.2422.60
Lever rosette brass unlacquered	W0200.2422.60
Lever rosette brass antique	W0500.2422.60
Lever rosette polished nickel	W1100.2422.60
Lever rosette satin nickel unlacquered	W1300.2422.60
Lever rosette antique nickel unlacquered	W1600.2422.60
Lever rosette polished chrome	W2100.2422.60
Lever rosette satin chrome	W2300.2422.60
Lever rosette matt black	W3000.2422.60

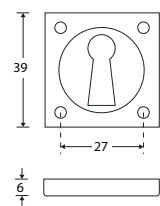
W1100.2422.62



SQUARE LEVER ROSETTE

DESCRIPTION	Ω	NUMBER
Lever rosette brass lacquered	with spring	W0100.2422.62
Lever rosette brass unlacquered	with spring	W0200.2422.62
Lever rosette brass antique	with spring	W0500.2422.62
Lever rosette polished nickel	with spring	W1100.2422.62
Lever rosette satin nickel unlacquered	with spring	W1300.2422.62
Lever rosette antique nickel unlacquered	with spring	W1600.2422.62
Lever rosette polished chrome	with spring	W2100.2422.62
Lever rosette satin chrome	with spring	W2300.2422.62
Lever rosette matt black	with spring	W3000.2422.62

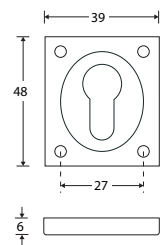
W1100.2423.55



SQUARE KEY ESCUTCHEON

DESCRIPTION	NUMBER
Key escutcheon brass lacquered	W0100.2423.55
Key escutcheon brass unlacquered	W0200.2423.55
Key escutcheon brass antique	W0500.2423.55
Key escutcheon polished nickel	W1100.2423.55
Key escutcheon satin nickel unlacquered	W1300.2423.55
Key escutcheon antique nickel unlacquered	W1600.2423.55
Key escutcheon polished chrome	W2100.2423.55
Key escutcheon satin chrome	W2300.2423.55
Key escutcheon matt black	W3000.2423.55

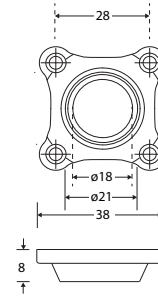
W1100.2424.57



SQUARE EURO PROFILE ESCUTCHEON

DESCRIPTION	NUMBER
Euro profile escutcheon brass lacquered	W0100.2424.57
Euro profile escutcheon brass unlacquered	W0200.2424.57
Euro profile escutcheon brass antique	W0500.2424.57
Euro profile escutcheon polished nickel	W1100.2424.57
Euro profile escutcheon satin nickel unlacquered	W1300.2424.57
Euro profile escutcheon antique nickel unlacquered	W1600.2424.57
Euro profile escutcheon polished chrome	W2100.2424.57
Euro profile escutcheon satin chrome	W2300.2424.57
Euro profile escutcheon matt black	W3000.2424.57

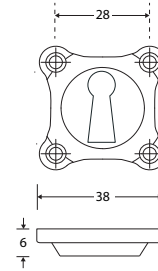
BONTON LEVER ROSETTE	
DESCRIPTION	NUMBER
Lever rosette brass unlacquered	W0200.2532.60
Lever rosette polished nickel	W1100.2532.60
Lever rosette antique nickel unlacquered	W1600.2532.60



W1100.2532.60



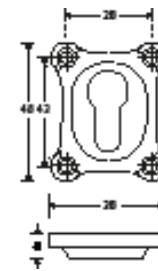
BONTON KEY ESCUTCHEON	
DESCRIPTION	NUMBER
Key escutcheon brass unlacquered	W0200.2533.55
Key escutcheon polished nickel	W1100.2533.55
Key escutcheon antique nickel unlacquered	W1600.2533.55



W1100.2533.55



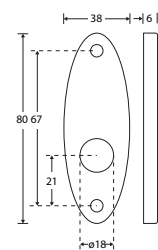
BONTON EURO PROFILE ESCUTCHEON	
DESCRIPTION	NUMBER
Euro profile escutcheon brass unlacquered	W0200.2534.57
Euro profile escutcheon polished nickel	W1100.2534.57
Euro profile escutcheon antique nickel unlacquered	W1600.2534.57



W1100.2534.57



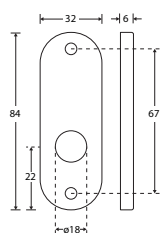
ELLIPSE PATENT ROSETTE	
DESCRIPTION	NUMBER
Patent rosette brass lacquered	W0100.2432.60
Patent rosette brass unlacquered	W0200.2432.60
Patent rosette brass antique	W0500.2432.60
Patent rosette polished nickel	W1100.2432.60
Patent rosette satin nickel unlacquered	W1300.2432.60
Patent rosette antique nickel unlacquered	W1600.2432.60
Patent rosette polished chrome	W2100.2432.60
Patent rosette satin chrome	W2300.2432.60
Patent rosette matt black	W3000.2432.60



W1100.2432.60



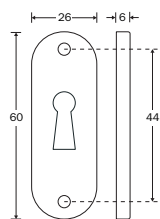
W1100.2433.60



OVAL PATENT ROSETTE

DESCRIPTION	NUMBER
Patent rosette brass lacquered	W0100.2433.60
Patent rosette brass unlacquered	W0200.2433.60
Patent rosette polished nickel	W1100.2433.60
Patent rosette satin nickel unlacquered	W1300.2433.60
Patent rosette polished chrome	W2100.2433.60
Patent rosette satin chrome	W2300.2433.60
Patent rosette matt black	W3000.2433.60

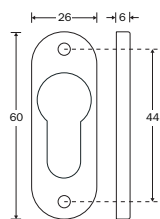
W1100.2434.55



OVAL KEY ESCUTCHEON

DESCRIPTION	NUMBER
Key escutcheon brass lacquered	W0100.2434.55
Key escutcheon brass unlacquered	W0200.2434.55
Key escutcheon polished nickel	W1100.2434.55
Key escutcheon satin nickel unlacquered	W1300.2434.55
Key escutcheon polished chrome	W2100.2434.55
Key escutcheon satin chrome	W2300.2434.55
Key escutcheon matt black	W3000.2434.55

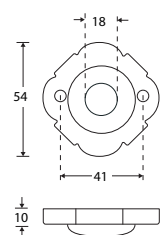
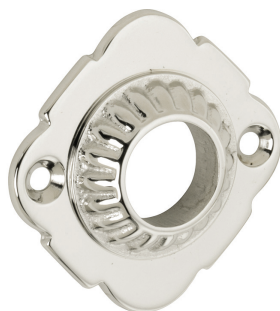
W1100.2435.57



OVAL EURO PROFILE ESCUTCHEON

DESCRIPTION	NUMBER
Euro profile escutcheon brass lacquered	W0100.2435.57
Euro profile escutcheon brass unlacquered	W0200.2435.57
Euro profile escutcheon polished nickel	W1100.2435.57
Euro profile escutcheon satin nickel unlacquered	W1300.2435.57
Euro profile escutcheon polished chrome	W2100.2435.57
Euro profile escutcheon satin chrome	W2300.2435.57
Euro profile escutcheon matt black	W3000.2435.57

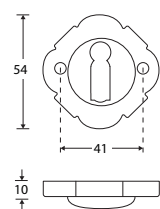
W1100.2436.60



NOUVEAU LEVER ROSETTE

DESCRIPTION	NUMBER
Lever rosette brass lacquered	W0100.2436.60
Lever rosette polished nickel	W1100.2436.60
Lever rosette antique nickel unlacquered	W1600.2436.60

W1100.2437.56

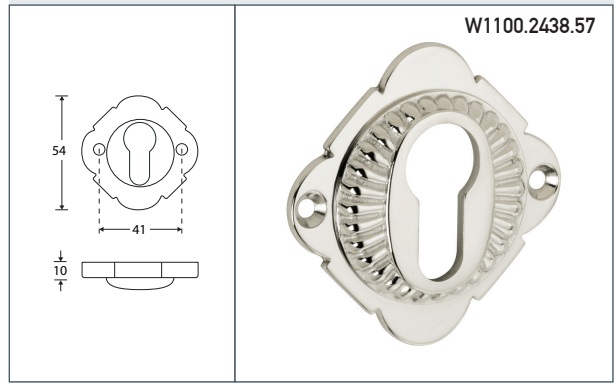


NOUVEAU KEY ESCUTCHEON

DESCRIPTION	NUMBER
Key escutcheon brass lacquered	W0100.2437.56
Key escutcheon polished nickel	W1100.2437.56
Key escutcheon antique nickel unlacquered	W1600.2437.56

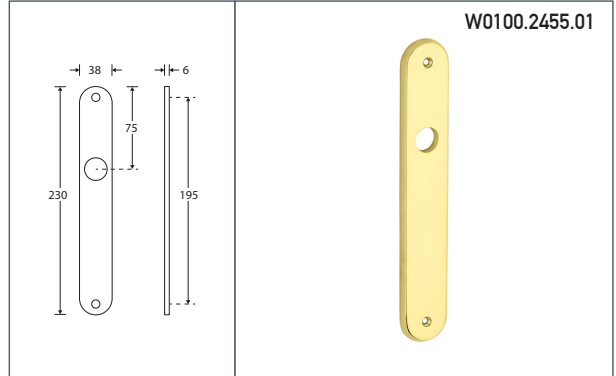
NOUVEAU EURO PROFILE ESCUTCHEON

DESCRIPTION	NUMBER
Euro profile escutcheon brass lacquered	W0100.2438.57
Euro profile escutcheon polished nickel	W1100.2438.57
Euro profile escutcheon antique nickel unlacquered	W1600.2438.57



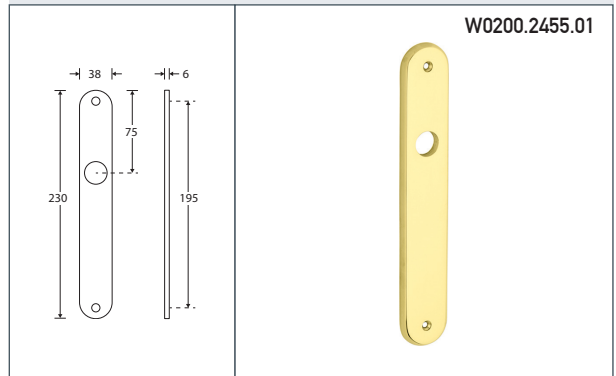
MODERN BACKPLATE

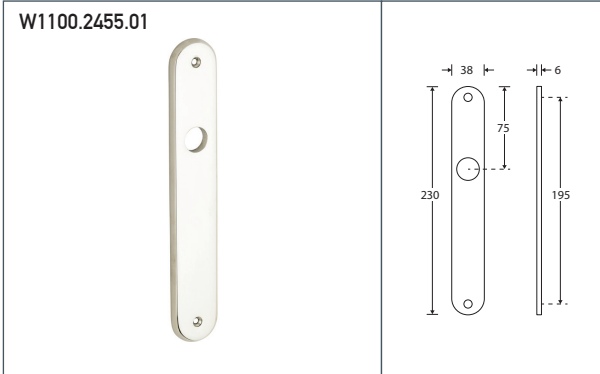
DESCRIPTION	NUMBER
Backplate Blind brass lacquered	W0100.2455.01
Backplate KH56 brass lacquered	W0100.2455.04
Backplate KH72 brass lacquered	W0100.2455.12
Backplate KH92 brass lacquered	W0100.2455.14
Backplate KH110 brass lacquered	W0100.2455.15
Backplate PZ55 brass lacquered	W0100.2455.24
Backplate PZ72 brass lacquered	W0100.2455.27
Backplate PZ92 brass lacquered	W0100.2455.37
Backplate PZ110 brass lacquered	W0100.2455.41
Backplate F063 brass lacquered	W0100.2455.67
Backplate F072 brass lacquered	W0100.2455.70
Backplate F078 brass lacquered	W0100.2455.72



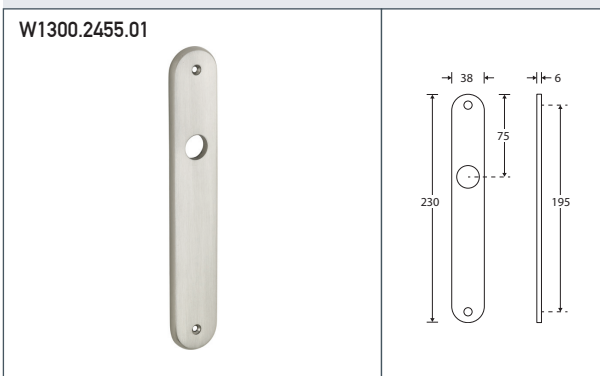
MODERN BACKPLATE

DESCRIPTION	NUMBER
Backplate Blind brass unlacquered	W0200.2455.01
Backplate KH56 brass unlacquered	W0200.2455.04
Backplate KH72 brass unlacquered	W0200.2455.12
Backplate KH92 brass unlacquered	W0200.2455.14
Backplate KH110 brass unlacquered	W0200.2455.15
Backplate PZ55 brass unlacquered	W0200.2455.24
Backplate PZ72 brass unlacquered	W0200.2455.27
Backplate PZ92 brass unlacquered	W0200.2455.37
Backplate PZ110 brass unlacquered	W0200.2455.41
Backplate F063 brass unlacquered	W0200.2455.67
Backplate F072 brass unlacquered	W0200.2455.70
Backplate F078 brass unlacquered	W0200.2455.72

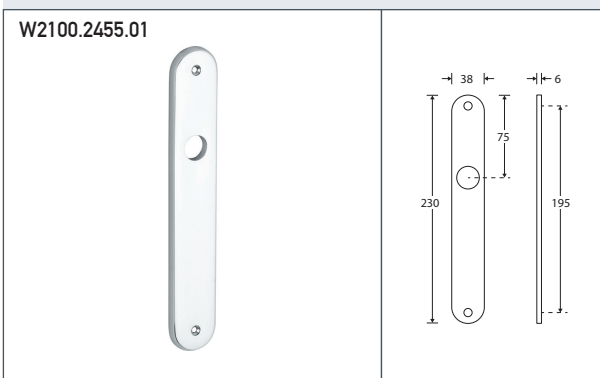




MODERN BACKPLATE	
DESCRIPTION	NUMBER
Backplate Blind polished nickel	W1100.2455.01
Backplate KH56 polished nickel	W1100.2455.04
Backplate KH72 polished nickel	W1100.2455.12
Backplate KH92 polished nickel	W1100.2455.14
Backplate KH110 polished nickel	W1100.2455.15
Backplate PZ55 polished nickel	W1100.2455.24
Backplate PZ72 polished nickel	W1100.2455.27
Backplate PZ92 polished nickel	W1100.2455.37
Backplate PZ110 polished nickel	W1100.2455.41
Backplate F063 polished nickel	W1100.2455.67
Backplate F072 polished nickel	W1100.2455.70
Backplate F078 polished nickel	W1100.2455.72

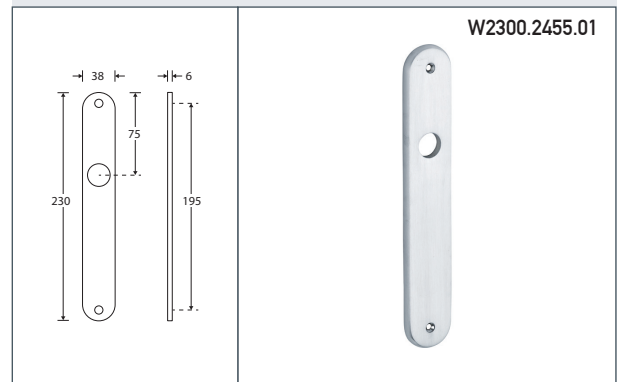


MODERN BACKPLATE	
DESCRIPTION	NUMBER
Backplate Blind satin nickel unlacquered	W1300.2455.01
Backplate KH56 satin nickel unlacquered	W1300.2455.04
Backplate KH72 satin nickel unlacquered	W1300.2455.12
Backplate KH92 satin nickel unlacquered	W1300.2455.14
Backplate KH110 satin nickel unlacquered	W1300.2455.15
Backplate PZ55 satin nickel unlacquered	W1300.2455.24
Backplate PZ72 satin nickel unlacquered	W1300.2455.27
Backplate PZ92 satin nickel unlacquered	W1300.2455.37
Backplate PZ110 satin nickel unlacquered	W1300.2455.41
Backplate F063 satin nickel unlacquered	W1300.2455.67
Backplate F072 satin nickel unlacquered	W1300.2455.70
Backplate F078 satin nickel unlacquered	W1300.2455.72

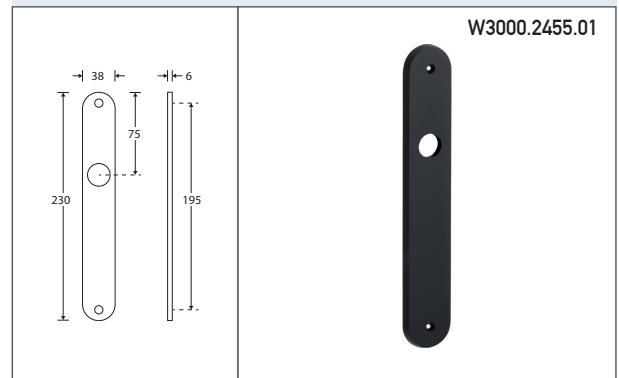


MODERN BACKPLATE	
DESCRIPTION	NUMBER
Backplate Blind polished chrome	W2100.2455.01
Backplate KH56 polished chrome	W2100.2455.04
Backplate KH72 polished chrome	W2100.2455.12
Backplate KH92 polished chrome	W2100.2455.14
Backplate KH110 polished chrome	W2100.2455.15
Backplate PZ55 polished chrome	W2100.2455.24
Backplate PZ72 polished chrome	W2100.2455.27
Backplate PZ92 polished chrome	W2100.2455.37
Backplate PZ110 polished chrome	W2100.2455.41
Backplate F063 polished chrome	W2100.2455.67
Backplate F072 polished chrome	W2100.2455.70
Backplate F078 polished chrome	W2100.2455.72

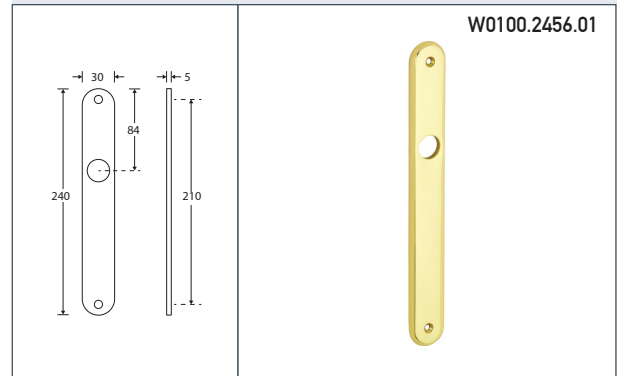
MODERN BACKPLATE	
DESCRIPTION	NUMBER
Backplate Blind satin chrome	W2300.2455.01
Backplate KH56 satin chrome	W2300.2455.04
Backplate KH72 satin chrome	W2300.2455.12
Backplate KH92 satin chrome	W2300.2455.14
Backplate KH110 satin chrome	W2300.2455.15
Backplate PZ55 satin chrome	W2300.2455.24
Backplate PZ72 satin chrome	W2300.2455.27
Backplate PZ92 satin chrome	W2300.2455.37
Backplate PZ110 satin chrome	W2300.2455.41
Backplate F063 satin chrome	W2300.2455.67
Backplate F072 satin chrome	W2300.2455.70
Backplate F078 satin chrome	W2300.2455.72



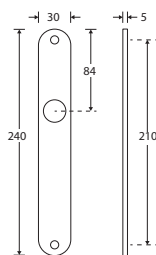
MODERN BACKPLATE	
DESCRIPTION	NUMBER
Backplate Blind matt black	W3000.2455.01
Backplate KH56 matt black	W3000.2455.04
Backplate KH72 matt black	W3000.2455.12
Backplate KH92 matt black	W3000.2455.14
Backplate KH110 matt black	W3000.2455.15
Backplate PZ55 matt black	W3000.2455.24
Backplate PZ72 matt black	W3000.2455.27
Backplate PZ92 matt black	W3000.2455.37
Backplate PZ110 matt black	W3000.2455.41
Backplate F063 matt black	W3000.2455.67
Backplate F072 matt black	W3000.2455.70
Backplate F078 matt black	W3000.2455.72



SLIM BACKPLATE	
DESCRIPTION	NUMBER
Backplate Blind brass lacquered	W0100.2456.01
Backplate WL56 brass lacquered	W0100.2456.04
Backplate WL72 brass lacquered	W0100.2456.12
Backplate WL92 brass lacquered	W0100.2456.14
Backplate WL110 brass lacquered	W0100.2456.15
Backplate PZ55 brass lacquered	W0100.2456.24
Backplate PZ72 brass lacquered	W0100.2456.27
Backplate PZ92 brass lacquered	W0100.2456.37
Backplate PZ110 brass lacquered	W0100.2456.41
Backplate F063 brass lacquered	W0100.2456.67
Backplate F072 brass lacquered	W0100.2456.70
Backplate F078 brass lacquered	W0100.2456.72



W0200.2456.01



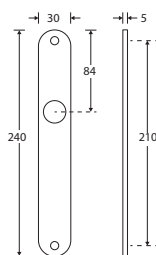
SLIM BACKPLATE

DESCRIPTION

NUMBER

Backplate Blind brass unlacquered	W0200.2456.01
Backplate WL56 brass unlacquered	W0200.2456.04
Backplate WL72 brass unlacquered	W0200.2456.12
Backplate WL92 brass unlacquered	W0200.2456.14
Backplate WL110 brass unlacquered	W0200.2456.15
Backplate PZ55 brass unlacquered	W0200.2456.24
Backplate PZ72 brass unlacquered	W0200.2456.27
Backplate PZ92 brass unlacquered	W0200.2456.37
Backplate PZ110 brass unlacquered	W0200.2456.41
Backplate F063 brass unlacquered	W0200.2456.67
Backplate F072 brass unlacquered	W0200.2456.70
Backplate F078 brass unlacquered	W0200.2456.72

W0500.2456.01



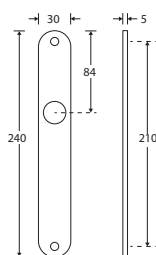
SLIM BACKPLATE

DESCRIPTION

NUMBER

Backplate Blind brass antique	W0500.2456.01
Backplate WL56 brass antique	W0500.2456.04
Backplate WL72 brass antique	W0500.2456.12
Backplate WL92 brass antique	W0500.2456.14
Backplate WL110 brass antique	W0500.2456.15
Backplate PZ55 brass antique	W0500.2456.24
Backplate PZ72 brass antique	W0500.2456.27
Backplate PZ92 brass antique	W0500.2456.37
Backplate PZ110 brass antique	W0500.2456.41
Backplate F063 brass antique	W0500.2456.67
Backplate F072 brass antique	W0500.2456.70
Backplate F078 brass antique	W0500.2456.72

W1100.2456.01



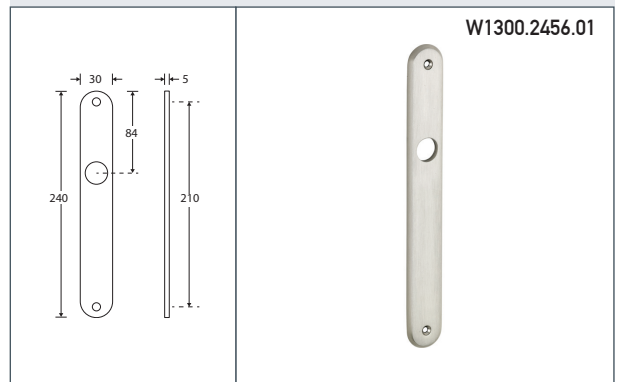
SLIM BACKPLATE

DESCRIPTION

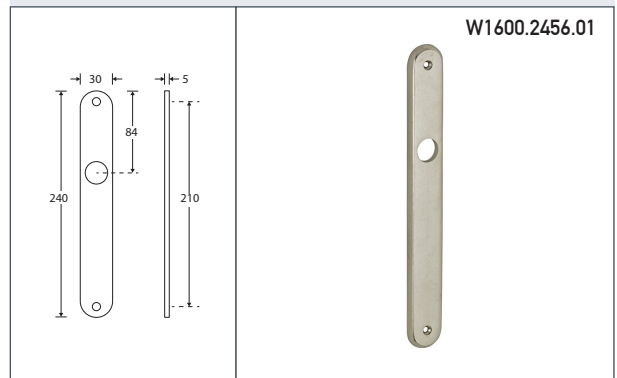
NUMBER

Backplate Blind polished nickel	W1100.2456.01
Backplate WL56 polished nickel	W1100.2456.04
Backplate WL72 polished nickel	W1100.2456.12
Backplate WL92 polished nickel	W1100.2456.14
Backplate WL110 polished nickel	W1100.2456.15
Backplate PZ55 polished nickel	W1100.2456.24
Backplate PZ72 polished nickel	W1100.2456.27
Backplate PZ92 polished nickel	W1100.2456.37
Backplate PZ110 polished nickel	W1100.2456.41
Backplate F063 polished nickel	W1100.2456.67
Backplate F072 polished nickel	W1100.2456.70
Backplate F078 polished nickel	W1100.2456.72

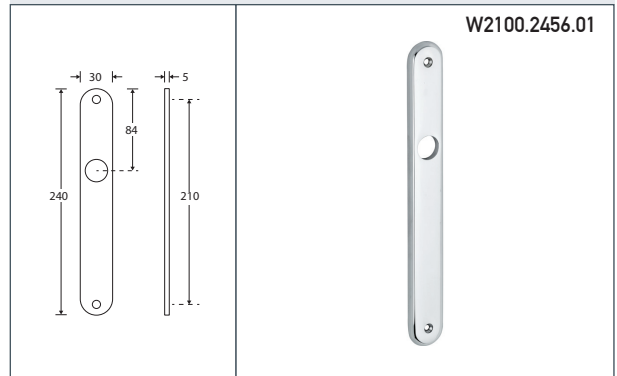
SLIM BACKPLATE	
DESCRIPTION	NUMBER
Backplate Blind satin nickel unlacquered	W1300.2456.01
Backplate WL56 satin nickel unlacquered	W1300.2456.04
Backplate WL72 satin nickel unlacquered	W1300.2456.12
Backplate WL92 satin nickel unlacquered	W1300.2456.14
Backplate WL110 satin nickel unlacquered	W1300.2456.15
Backplate PZ55 satin nickel unlacquered	W1300.2456.24
Backplate PZ72 satin nickel unlacquered	W1300.2456.27
Backplate PZ92 satin nickel unlacquered	W1300.2456.37
Backplate PZ110 satin nickel unlacquered	W1300.2456.41
Backplate F063 satin nickel unlacquered	W1300.2456.67
Backplate F072 satin nickel unlacquered	W1300.2456.70
Backplate F078 satin nickel unlacquered	W1300.2456.72



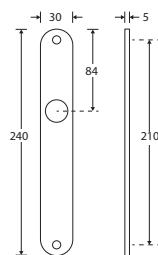
SLIM BACKPLATE	
DESCRIPTION	NUMBER
Backplate Blind antique nickel unlacquered	W1600.2456.01
Backplate WL56 antique nickel unlacquered	W1600.2456.04
Backplate WL72 antique nickel unlacquered	W1600.2456.12
Backplate WL92 antique nickel unlacquered	W1600.2456.14
Backplate WL110 antique nickel unlacquered	W1600.2456.15
Backplate PZ55 antique nickel unlacquered	W1600.2456.24
Backplate PZ72 antique nickel unlacquered	W1600.2456.27
Backplate PZ92 antique nickel unlacquered	W1600.2456.37
Backplate PZ110 antique nickel unlacquered	W1600.2456.41
Backplate F063 antique nickel unlacquered	W1600.2456.67
Backplate F072 antique nickel unlacquered	W1600.2456.70
Backplate F078 antique nickel unlacquered	W1600.2456.72



SLIM BACKPLATE	
DESCRIPTION	NUMBER
Backplate Blind polished chrome	W2100.2456.01
Backplate WL56 polished chrome	W2100.2456.04
Backplate WL72 polished chrome	W2100.2456.12
Backplate WL92 polished chrome	W2100.2456.14
Backplate WL110 polished chrome	W2100.2456.15
Backplate PZ55 polished chrome	W2100.2456.24
Backplate PZ72 polished chrome	W2100.2456.27
Backplate PZ92 polished chrome	W2100.2456.37
Backplate PZ110 polished chrome	W2100.2456.41
Backplate F063 polished chrome	W2100.2456.67
Backplate F072 polished chrome	W2100.2456.70
Backplate F078 polished chrome	W2100.2456.72



W2300.2456.01



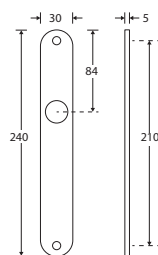
SLIM BACKPLATE

DESCRIPTION

NUMBER

Backplate Blind satin chrome	W2300.2456.01
Backplate WL56 satin chrome	W2300.2456.04
Backplate WL72 satin chrome	W2300.2456.12
Backplate WL92 satin chrome	W2300.2456.14
Backplate WL110 satin chrome	W2300.2456.15
Backplate PZ55 satin chrome	W2300.2456.24
Backplate PZ72 satin chrome	W2300.2456.27
Backplate PZ92 satin chrome	W2300.2456.37
Backplate PZ110 satin chrome	W2300.2456.41
Backplate F063 satin chrome	W2300.2456.67
Backplate F072 satin chrome	W2300.2456.70
Backplate F078 satin chrome	W2300.2456.72

W3000.2456.01



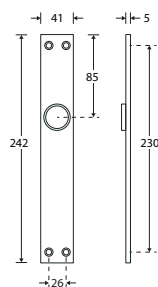
SLIM BACKPLATE

DESCRIPTION

NUMBER

Backplate Blind matt black	W3000.2456.01
Backplate WL56 matt black	W3000.2456.04
Backplate WL72 matt black	W3000.2456.12
Backplate WL92 matt black	W3000.2456.14
Backplate WL110 matt black	W3000.2456.15
Backplate PZ55 matt black	W3000.2456.24
Backplate PZ72 matt black	W3000.2456.27
Backplate PZ92 matt black	W3000.2456.37
Backplate PZ110 matt black	W3000.2456.41
Backplate F063 matt black	W3000.2456.67
Backplate F072 matt black	W3000.2456.70
Backplate F078 matt black	W3000.2456.72

W0200.2450.01



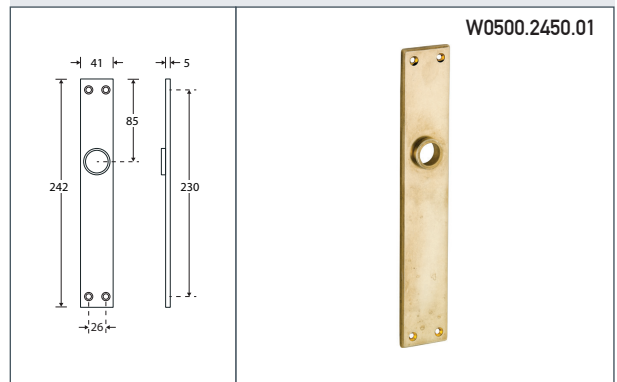
BAUHAUS-STYLE BACKPLATE

DESCRIPTION

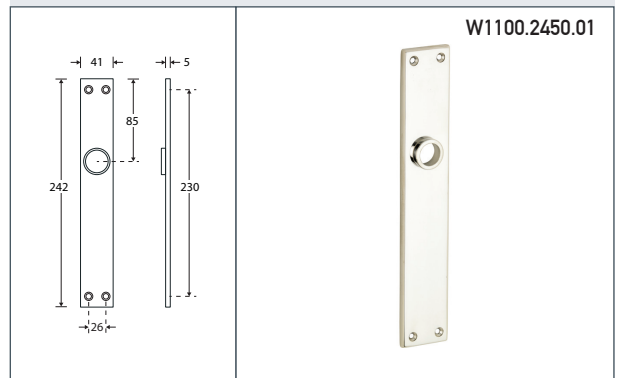
NUMBER

Backplate Blind brass unlacquered	W0200.2450.01
Backplate KH56 brass unlacquered	W0200.2450.04
Backplate KH72 brass unlacquered	W0200.2450.12
Backplate KH92 brass unlacquered	W0200.2450.14
Backplate KH110 brass unlacquered	W0200.2450.15
Backplate PZ55 brass unlacquered	W0200.2450.24
Backplate PZ72 brass unlacquered	W0200.2450.27
Backplate PZ92 brass unlacquered	W0200.2450.37
Backplate PZ110 brass unlacquered	W0200.2450.41
Backplate F063 brass unlacquered	W0200.2450.67
Backplate F072 brass unlacquered	W0200.2450.70
Backplate F078 brass unlacquered	W0200.2450.72

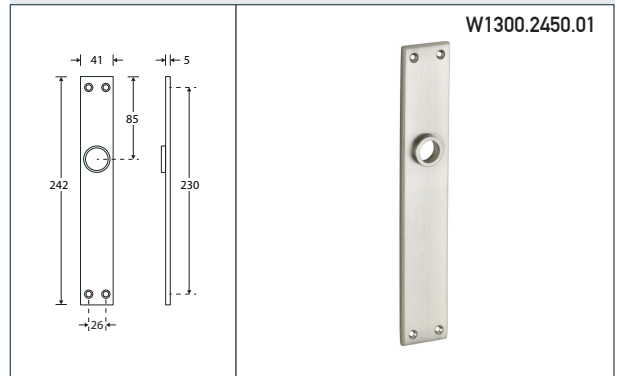
BAUHAUS-STYLE BACKPLATE	
DESCRIPTION	NUMBER
Backplate Blind brass antique	W0500.2450.01
Backplate KH56 brass antique	W0500.2450.04
Backplate KH72 brass antique	W0500.2450.12
Backplate KH92 brass antique	W0500.2450.14
Backplate KH110 brass antique	W0500.2450.15
Backplate PZ55 brass antique	W0500.2450.24
Backplate PZ72 brass antique	W0500.2450.27
Backplate PZ92 brass antique	W0500.2450.37
Backplate PZ110 brass antique	W0500.2450.41
Backplate F063 brass antique	W0500.2450.67
Backplate F072 brass antique	W0500.2450.70
Backplate F078 brass antique	W0500.2450.72



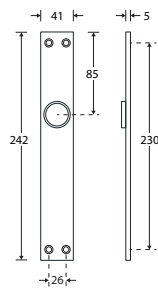
BAUHAUS-STYLE BACKPLATE	
DESCRIPTION	NUMBER
Backplate Blind polished nickel	W1100.2450.01
Backplate KH56 polished nickel	W1100.2450.04
Backplate KH72 polished nickel	W1100.2450.12
Backplate KH92 polished nickel	W1100.2450.14
Backplate KH110 polished nickel	W1100.2450.15
Backplate PZ55 polished nickel	W1100.2450.24
Backplate PZ72 polished nickel	W1100.2450.27
Backplate PZ92 polished nickel	W1100.2450.37
Backplate PZ110 polished nickel	W1100.2450.41
Backplate F063 polished nickel	W1100.2450.67
Backplate F072 polished nickel	W1100.2450.70
Backplate F078 polished nickel	W1100.2450.72



BAUHAUS-STYLE BACKPLATE	
DESCRIPTION	NUMBER
Backplate Blind satin nickel unlacquered	W1300.2450.01
Backplate KH56 satin nickel unlacquered	W1300.2450.04
Backplate KH72 satin nickel unlacquered	W1300.2450.12
Backplate KH92 satin nickel unlacquered	W1300.2450.14
Backplate KH110 satin nickel unlacquered	W1300.2450.15
Backplate PZ55 satin nickel unlacquered	W1300.2450.24
Backplate PZ72 satin nickel unlacquered	W1300.2450.27
Backplate PZ92 satin nickel unlacquered	W1300.2450.37
Backplate PZ110 satin nickel unlacquered	W1300.2450.41
Backplate F063 satin nickel unlacquered	W1300.2450.67
Backplate F072 satin nickel unlacquered	W1300.2450.70
Backplate F078 satin nickel unlacquered	W1300.2450.72



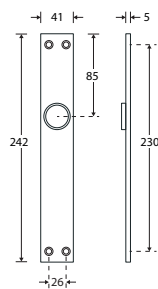
W2100.2450.01



BAUHAUS-STYLE BACKPLATE

DESCRIPTION	NUMBER
Backplate Blind polished chrome	W2100.2450.01
Backplate KH56 polished chrome	W2100.2450.04
Backplate KH72 polished chrome	W2100.2450.12
Backplate KH92 polished chrome	W2100.2450.14
Backplate KH110 polished chrome	W2100.2450.15
Backplate PZ55 polished chrome	W2100.2450.24
Backplate PZ72 polished chrome	W2100.2450.27
Backplate PZ92 polished chrome	W2100.2450.37
Backplate PZ110 polished chrome	W2100.2450.41
Backplate F063 polished chrome	W2100.2450.67
Backplate F072 polished chrome	W2100.2450.70
Backplate F078 polished chrome	W2100.2450.72

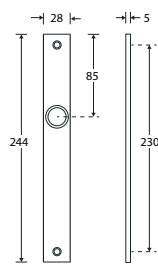
W3000.2450.01



BAUHAUS-STYLE BACKPLATE

DESCRIPTION	NUMBER
Backplate Blind matt black	W3000.2450.01
Backplate KH56 matt black	W3000.2450.04
Backplate KH72 matt black	W3000.2450.12
Backplate KH92 matt black	W3000.2450.14
Backplate KH110 matt black	W3000.2450.15
Backplate PZ55 matt black	W3000.2450.24
Backplate PZ72 matt black	W3000.2450.27
Backplate PZ92 matt black	W3000.2450.37
Backplate PZ110 matt black	W3000.2450.41
Backplate F063 matt black	W3000.2450.67
Backplate F072 matt black	W3000.2450.70
Backplate F078 matt black	W3000.2450.72

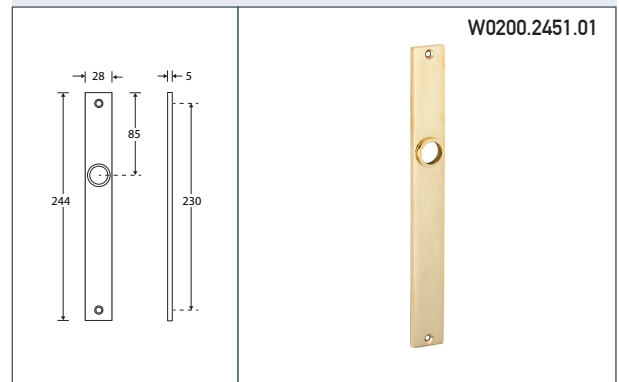
W0100.2451.01



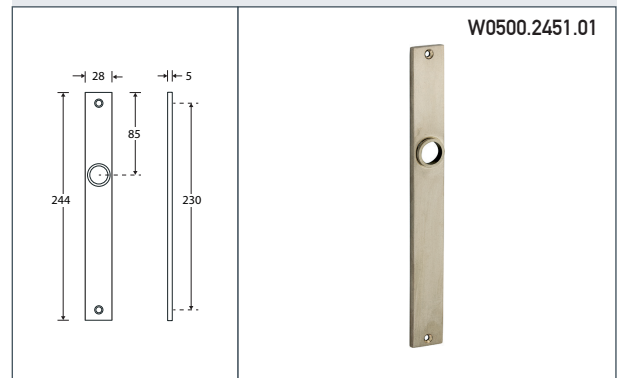
BAUHAUS-STYLE SMAL BACKPLATE

DESCRIPTION	NUMBER
Backplate Blind brass lacquered	W0100.2451.01
Backplate KH56 brass lacquered	W0100.2451.04
Backplate KH72 brass lacquered	W0100.2451.12
Backplate KH92 brass lacquered	W0100.2451.14
Backplate KH110 brass lacquered	W0100.2451.15
Backplate PZ55 brass lacquered	W0100.2451.24
Backplate PZ72 brass lacquered	W0100.2451.27
Backplate PZ92 brass lacquered	W0100.2451.37
Backplate PZ110 brass lacquered	W0100.2451.41
Backplate F063 brass lacquered	W0100.2451.67
Backplate F072 brass lacquered	W0100.2451.70
Backplate F078 brass lacquered	W0100.2451.72

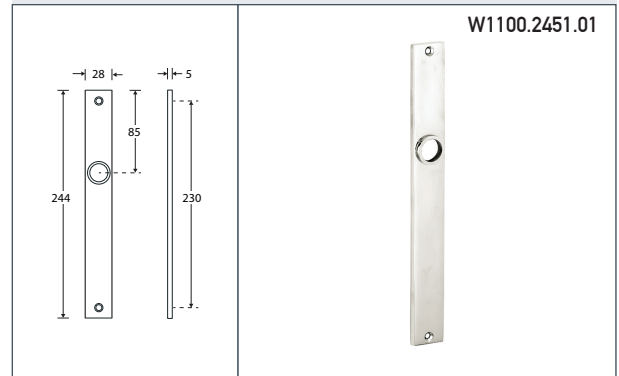
BAUHAUS-STYLE SMAL BACKPLATE	
DESCRIPTION	NUMBER
Backplate Blind brass unlacquered	W0200.2451.01
Backplate KH56 brass unlacquered	W0200.2451.04
Backplate KH72 brass unlacquered	W0200.2451.12
Backplate KH92 brass unlacquered	W0200.2451.14
Backplate KH110 brass unlacquered	W0200.2451.15
Backplate PZ55 brass unlacquered	W0200.2451.24
Backplate PZ72 brass unlacquered	W0200.2451.27
Backplate PZ92 brass unlacquered	W0200.2451.37
Backplate PZ110 brass unlacquered	W0200.2451.41
Backplate F063 brass unlacquered	W0200.2451.67
Backplate F072 brass unlacquered	W0200.2451.70
Backplate F078 brass unlacquered	W0200.2451.72



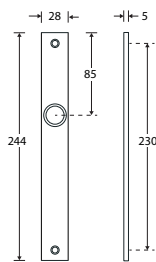
BAUHAUS-STYLE SMAL BACKPLATE	
DESCRIPTION	NUMBER
Backplate Blind brass antique	W0500.2451.01
Backplate KH56 brass antique	W0500.2451.04
Backplate KH72 brass antique	W0500.2451.12
Backplate KH92 brass antique	W0500.2451.14
Backplate KH110 brass antique	W0500.2451.15
Backplate PZ55 brass antique	W0500.2451.24
Backplate PZ72 brass antique	W0500.2451.27
Backplate PZ92 brass antique	W0500.2451.37
Backplate PZ110 brass antique	W0500.2451.41
Backplate F063 brass antique	W0500.2451.67
Backplate F072 brass antique	W0500.2451.70
Backplate F078 brass antique	W0500.2451.72



BAUHAUS-STYLE SMAL BACKPLATE	
DESCRIPTION	NUMBER
Backplate Blind polished nickel	W1100.2451.01
Backplate KH56 polished nickel	W1100.2451.04
Backplate KH72 polished nickel	W1100.2451.12
Backplate KH92 polished nickel	W1100.2451.14
Backplate KH110 polished nickel	W1100.2451.15
Backplate PZ55 polished nickel	W1100.2451.24
Backplate PZ72 polished nickel	W1100.2451.27
Backplate PZ92 polished nickel	W1100.2451.37
Backplate PZ110 polished nickel	W1100.2451.41
Backplate F063 polished nickel	W1100.2451.67
Backplate F072 polished nickel	W1100.2451.70
Backplate F078 polished nickel	W1100.2451.72



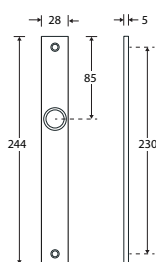
W1300.2451.01



BAUHAUS-STYLE SMAL BACKPLATE

DESCRIPTION	NUMBER
Backplate Blind satin nickel unlacquered	W1300.2451.01
Backplate KH56 satin nickel unlacquered	W1300.2451.04
Backplate KH72 satin nickel unlacquered	W1300.2451.12
Backplate KH92 satin nickel unlacquered	W1300.2451.14
Backplate KH110 satin nickel unlacquered	W1300.2451.15
Backplate PZ55 satin nickel unlacquered	W1300.2451.24
Backplate PZ72 satin nickel unlacquered	W1300.2451.27
Backplate PZ92 satin nickel unlacquered	W1300.2451.37
Backplate PZ110 satin nickel unlacquered	W1300.2451.41
Backplate F063 satin nickel unlacquered	W1300.2451.67
Backplate F072 satin nickel unlacquered	W1300.2451.70
Backplate F078 satin nickel unlacquered	W1300.2451.72

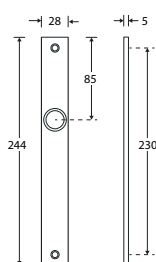
W2100.2451.01



BAUHAUS-STYLE SMAL BACKPLATE

DESCRIPTION	NUMBER
Backplate Blind polished chrome	W2100.2451.01
Backplate KH56 polished chrome	W2100.2451.04
Backplate KH72 polished chrome	W2100.2451.12
Backplate KH92 polished chrome	W2100.2451.14
Backplate KH110 polished chrome	W2100.2451.15
Backplate PZ55 polished chrome	W2100.2451.24
Backplate PZ72 polished chrome	W2100.2451.27
Backplate PZ92 polished chrome	W2100.2451.37
Backplate PZ110 polished chrome	W2100.2451.41
Backplate F063 polished chrome	W2100.2451.67
Backplate F072 polished chrome	W2100.2451.70
Backplate F078 polished chrome	W2100.2451.72

W2300.2451.01

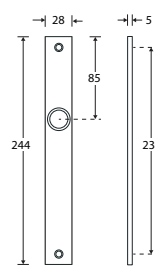


BAUHAUS-STYLE SMAL BACKPLATE

DESCRIPTION	NUMBER
Backplate Blind satin chrome	W2300.2451.01
Backplate KH56 satin chrome	W2300.2451.04
Backplate KH72 satin chrome	W2300.2451.12
Backplate KH92 satin chrome	W2300.2451.14
Backplate KH110 satin chrome	W2300.2451.15
Backplate PZ55 satin chrome	W2300.2451.24
Backplate PZ72 satin chrome	W2300.2451.27
Backplate PZ92 satin chrome	W2300.2451.37
Backplate PZ110 satin chrome	W2300.2451.41
Backplate F063 satin chrome	W2300.2451.67
Backplate F072 satin chrome	W2300.2451.70
Backplate F078 satin chrome	W2300.2451.72

BAUHAUS-STYLE SMAL BACKPLATE

DESCRIPTION	NUMBER
Backplate Blind matt black	W3000.2451.01
Backplate KH56 matt black	W3000.2451.04
Backplate KH72 matt black	W3000.2451.12
Backplate KH92 matt black	W3000.2451.14
Backplate KH110 matt black	W3000.2451.15
Backplate PZ55 matt black	W3000.2451.24
Backplate PZ72 matt black	W3000.2451.27
Backplate PZ92 matt black	W3000.2451.37
Backplate PZ110 matt black	W3000.2451.41
Backplate F063 matt black	W3000.2451.67
Backplate F072 matt black	W3000.2451.70
Backplate F078 matt black	W3000.2451.72

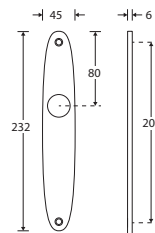


W3000.2451.01



ELLIPSE BACKPLATE

DESCRIPTION	NUMBER
Backplate Blind brass lacquered	W0100.2530.01
Backplate KH56 brass lacquered	W0100.2530.04
Backplate KH72 brass lacquered	W0100.2530.12
Backplate KH92 brass lacquered	W0100.2530.14
Backplate PZ55 brass lacquered	W0100.2530.24
Backplate PZ72 brass lacquered	W0100.2530.27
Backplate PZ92 brass lacquered	W0100.2530.37
Backplate F063 brass lacquered	W0100.2530.67
Backplate F072 brass lacquered	W0100.2530.70
Backplate F078 brass lacquered	W0100.2530.72

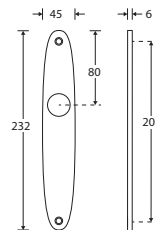


W0100.2530.01



ELLIPSE BACKPLATE

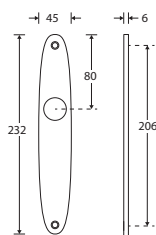
DESCRIPTION	NUMBER
Backplate Blind brass unlacquered	W0200.2530.01
Backplate KH56 brass unlacquered	W0200.2530.04
Backplate KH72 brass unlacquered	W0200.2530.12
Backplate KH92 brass unlacquered	W0200.2530.14
Backplate PZ55 brass unlacquered	W0200.2530.24
Backplate PZ72 brass unlacquered	W0200.2530.27
Backplate PZ92 brass unlacquered	W0200.2530.37
Backplate F063 brass unlacquered	W0200.2530.67
Backplate F072 brass unlacquered	W0200.2530.70
Backplate F078 brass unlacquered	W0200.2530.72



W0200.2530.01



W0500.2530.01



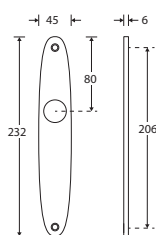
ELLIPSE BACKPLATE

DESCRIPTION

NUMBER

Backplate Blind brass antique	W0500.2530.01
Backplate KH56 brass antique	W0500.2530.04
Backplate KH72 brass antique	W0500.2530.12
Backplate KH92 brass antique	W0500.2530.14
Backplate PZ55 brass antique	W0500.2530.24
Backplate PZ72 brass antique	W0500.2530.27
Backplate PZ92 brass antique	W0500.2530.37
Backplate F063 brass antique	W0500.2530.67
Backplate F072 brass antique	W0500.2530.70
Backplate F078 brass antique	W0500.2530.72

W1100.2530.01



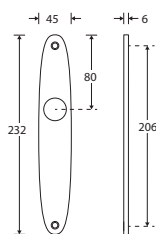
ELLIPSE BACKPLATE

DESCRIPTION

NUMBER

Backplate Blind polished nickel	W1100.2530.01
Backplate KH56 polished nickel	W1100.2530.04
Backplate KH72 polished nickel	W1100.2530.12
Backplate KH92 polished nickel	W1100.2530.14
Backplate PZ55 polished nickel	W1100.2530.24
Backplate PZ72 polished nickel	W1100.2530.27
Backplate PZ92 polished nickel	W1100.2530.37
Backplate F063 polished nickel	W1100.2530.67
Backplate F072 polished nickel	W1100.2530.70
Backplate F078 polished nickel	W1100.2530.72

W1300.2530.01



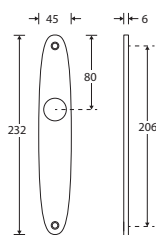
ELLIPSE BACKPLATE

DESCRIPTION

NUMBER

Backplate Blind satin nickel unlacquered	W1300.2530.01
Backplate KH56 satin nickel unlacquered	W1300.2530.04
Backplate KH72 satin nickel unlacquered	W1300.2530.12
Backplate KH92 satin nickel unlacquered	W1300.2530.14
Backplate PZ55 satin nickel unlacquered	W1300.2530.24
Backplate PZ72 satin nickel unlacquered	W1300.2530.27
Backplate PZ92 satin nickel unlacquered	W1300.2530.37
Backplate F063 satin nickel unlacquered	W1300.2530.67
Backplate F072 satin nickel unlacquered	W1300.2530.70
Backplate F078 satin nickel unlacquered	W1300.2530.72

W1600.2530.01



ELLIPSE BACKPLATE

DESCRIPTION

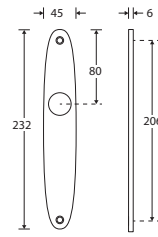
NUMBER

Backplate Blind antique nickel unlacquered	W1600.2530.01
Backplate KH56 antique nickel unlacquered	W1600.2530.04
Backplate KH72 antique nickel unlacquered	W1600.2530.12
Backplate KH92 antique nickel unlacquered	W1600.2530.14
Backplate PZ55 antique nickel unlacquered	W1600.2530.24
Backplate PZ72 antique nickel unlacquered	W1600.2530.27
Backplate PZ92 antique nickel unlacquered	W1600.2530.37
Backplate F063 antique nickel unlacquered	W1600.2530.67
Backplate F072 antique nickel unlacquered	W1600.2530.70
Backplate F078 antique nickel unlacquered	W1600.2530.72

ELLIPSE BACKPLATE

DESCRIPTION NUMBER

Backplate Blind polished chrome	W2100.2530.01
Backplate KH56 polished chrome	W2100.2530.04
Backplate KH72 polished chrome	W2100.2530.12
Backplate KH92 polished chrome	W2100.2530.14
Backplate PZ55 polished chrome	W2100.2530.24
Backplate PZ72 polished chrome	W2100.2530.27
Backplate PZ92 polished chrome	W2100.2530.37
Backplate F063 polished chrome	W2100.2530.67
Backplate F072 polished chrome	W2100.2530.70
Backplate F078 polished chrome	W2100.2530.72



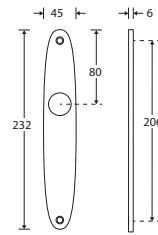
W2100.2530.01



ELLIPSE BACKPLATE BLIND

DESCRIPTION NUMBER

Backplate Blind satin chrome	W2300.2530.01
Backplate KH56 satin chrome	W2300.2530.04
Backplate KH72 satin chrome	W2300.2530.12
Backplate KH92 satin chrome	W2300.2530.14
Backplate PZ55 satin chrome	W2300.2530.24
Backplate PZ72 satin chrome	W2300.2530.27
Backplate PZ92 satin chrome	W2300.2530.37
Backplate F063 satin chrome	W2300.2530.67
Backplate F072 satin chrome	W2300.2530.70
Backplate F078 satin chrome	W2300.2530.72



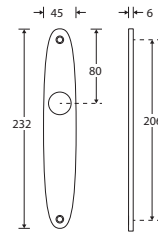
W2300.2530.01



ELLIPSE BACKPLATE

DESCRIPTION NUMBER

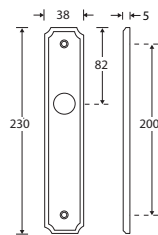
Backplate Blind matt black	W3000.2530.01
Backplate KH56 matt black	W3000.2530.04
Backplate KH72 matt black	W3000.2530.12
Backplate KH92 matt black	W3000.2530.14
Backplate PZ55 matt black	W3000.2530.24
Backplate PZ72 matt black	W3000.2530.27
Backplate PZ92 matt black	W3000.2530.37
Backplate F063 matt black	W3000.2530.67
Backplate F072 matt black	W3000.2530.70
Backplate F078 matt black	W3000.2530.72



W3000.2530.01



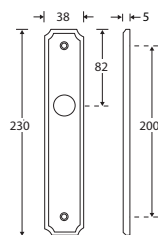
W0100.2531.01



ART-NOUVEAU BACKPLATE

DESCRIPTION	NUMBER
Backplate Blind brass lacquered	W0100.2531.01
Backplate KH56 brass lacquered	W0100.2531.04
Backplate KH72 brass lacquered	W0100.2531.12
Backplate KH92 brass lacquered	W0100.2531.14
Backplate KH110 brass lacquered	W0100.2531.15
Backplate PZ55 brass lacquered	W0100.2531.24
Backplate PZ72 brass lacquered	W0100.2531.27
Backplate PZ92 brass lacquered	W0100.2531.37
Backplate PZ110 brass lacquered	W0100.2531.41
Backplate F063 brass lacquered	W0100.2531.67
Backplate F072 brass lacquered	W0100.2531.70
Backplate F078 brass lacquered	W0100.2531.72

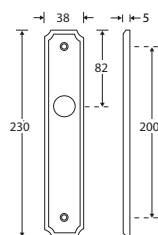
W0200.2531.01



ART-NOUVEAU BACKPLATE

DESCRIPTION	NUMBER
Backplate Blind brass unlacquered	W0200.2531.01
Backplate KH56 brass unlacquered	W0200.2531.04
Backplate KH72 brass unlacquered	W0200.2531.12
Backplate KH92 brass unlacquered	W0200.2531.14
Backplate KH110 brass unlacquered	W0200.2531.15
Backplate PZ55 brass unlacquered	W0200.2531.24
Backplate PZ72 brass unlacquered	W0200.2531.27
Backplate PZ92 brass unlacquered	W0200.2531.37
Backplate PZ110 brass unlacquered	W0200.2531.41
Backplate F063 brass unlacquered	W0200.2531.67
Backplate F072 brass unlacquered	W0200.2531.70
Backplate F078 brass unlacquered	W0200.2531.72

W1100.2531.01



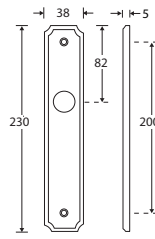
ART-NOUVEAU BACKPLATE

DESCRIPTION	NUMBER
Backplate Blind polished nickel	W1100.2531.01
Backplate KH56 polished nickel	W1100.2531.04
Backplate KH72 polished nickel	W1100.2531.12
Backplate KH92 polished nickel	W1100.2531.14
Backplate KH110 polished nickel	W1100.2531.15
Backplate PZ55 polished nickel	W1100.2531.24
Backplate PZ72 polished nickel	W1100.2531.27
Backplate PZ92 polished nickel	W1100.2531.37
Backplate PZ110 polished nickel	W1100.2531.41
Backplate F063 polished nickel	W1100.2531.67
Backplate F072 polished nickel	W1100.2531.70
Backplate F078 polished nickel	W1100.2531.72

ART-NOUVEAU BACKPLATE

DESCRIPTION NUMBER

Backplate Blind antique nickel unlacquered	W1600.2531.01
Backplate KH56 antique nickel unlacquered	W1600.2531.04
Backplate KH72 antique nickel unlacquered	W1600.2531.12
Backplate KH92 antique nickel unlacquered	W1600.2531.14
Backplate KH110 antique nickel unlacquered	W1600.2531.15
Backplate PZ55 antique nickel unlacquered	W1600.2531.24
Backplate PZ72 antique nickel unlacquered	W1600.2531.27
Backplate PZ92 antique nickel unlacquered	W1600.2531.37
Backplate PZ110 antique nickel unlacquered	W1600.2531.41
Backplate FO63 antique nickel unlacquered	W1600.2531.67
Backplate FO72 antique nickel unlacquered	W1600.2531.70
Backplate FO78 antique nickel unlacquered	W1600.2531.72



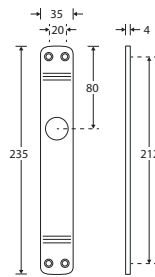
W1600.2531.01



ART-DECO BACKPLATE

DESCRIPTION NUMBER

Backplate Blind brass lacquered	W0100.2453.01
Backplate KH56 brass lacquered	W0100.2453.04
Backplate KH72 brass lacquered	W0100.2453.12
Backplate KH92 brass lacquered	W0100.2453.14
Backplate PZ55 brass lacquered	W0100.2453.24
Backplate PZ72 brass lacquered	W0100.2453.27
Backplate PZ92 brass lacquered	W0100.2453.37
Backplate FO63 brass lacquered	W0100.2453.67
Backplate FO72 brass lacquered	W0100.2453.70
Backplate FO78 brass lacquered	W0100.2453.72



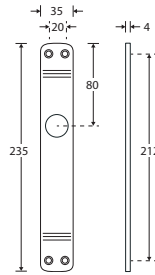
W0100.2453.01



ART-DECO BACKPLATE

DESCRIPTION NUMBER

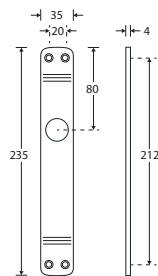
Backplate Blind brass unlacquered	W0200.2453.01
Backplate KH56 brass unlacquered	W0200.2453.04
Backplate KH72 brass unlacquered	W0200.2453.12
Backplate KH92 brass unlacquered	W0200.2453.14
Backplate PZ55 brass unlacquered	W0200.2453.24
Backplate PZ72 brass unlacquered	W0200.2453.27
Backplate PZ92 brass unlacquered	W0200.2453.37
Backplate FO63 brass unlacquered	W0200.2453.67
Backplate FO72 brass unlacquered	W0200.2453.70
Backplate FO78 brass unlacquered	W0200.2453.72



W0200.2453.01



W0500.2453.01



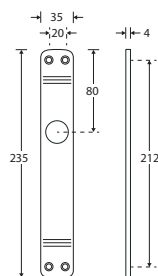
ART-DECO BACKPLATE

DESCRIPTION

NUMBER

Backplate Blind brass antique	W0500.2453.01
Backplate KH56 brass antique	W0500.2453.04
Backplate KH72 brass antique	W0500.2453.12
Backplate KH92 brass antique	W0500.2453.14
Backplate PZ55 brass antique	W0500.2453.24
Backplate PZ72 brass antique	W0500.2453.27
Backplate PZ92 brass antique	W0500.2453.37
Backplate F063 brass antique	W0500.2453.67
Backplate F072 brass antique	W0500.2453.70
Backplate F078 brass antique	W0500.2453.72

W1100.2453.01



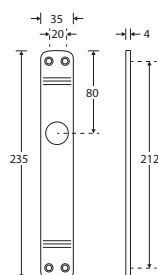
ART-DECO BACKPLATE

DESCRIPTION

NUMBER

Backplate Blind polished nickel	W1100.2453.01
Backplate KH56 polished nickel	W1100.2453.04
Backplate KH72 polished nickel	W1100.2453.12
Backplate KH92 polished nickel	W1100.2453.14
Backplate PZ55 polished nickel	W1100.2453.24
Backplate PZ72 polished nickel	W1100.2453.27
Backplate PZ92 polished nickel	W1100.2453.37
Backplate F063 polished nickel	W1100.2453.67
Backplate F072 polished nickel	W1100.2453.70
Backplate F078 polished nickel	W1100.2453.72

W1300.2453.01



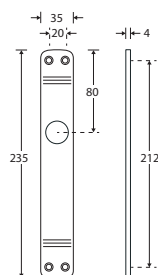
ART-DECO BACKPLATE

DESCRIPTION

NUMBER

Backplate Blind satin nickel unlacquered	W1300.2453.01
Backplate KH56 satin nickel unlacquered	W1300.2453.04
Backplate KH72 satin nickel unlacquered	W1300.2453.12
Backplate KH92 satin nickel unlacquered	W1300.2453.14
Backplate PZ55 satin nickel unlacquered	W1300.2453.24
Backplate PZ72 satin nickel unlacquered	W1300.2453.27
Backplate PZ92 satin nickel unlacquered	W1300.2453.37
Backplate F063 satin nickel unlacquered	W1300.2453.67
Backplate F072 satin nickel unlacquered	W1300.2453.70
Backplate F078 satin nickel unlacquered	W1300.2453.72

W1600.2453.01



ART-DECO BACKPLATE

DESCRIPTION

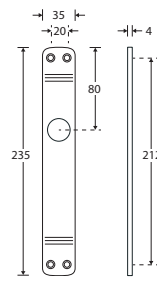
NUMBER

Backplate Blind antique nickel unlacquered	W1600.2453.01
Backplate KH56 antique nickel unlacquered	W1600.2453.04
Backplate KH72 antique nickel unlacquered	W1600.2453.12
Backplate KH92 antique nickel unlacquered	W1600.2453.14
Backplate PZ55 antique nickel unlacquered	W1600.2453.24
Backplate PZ72 antique nickel unlacquered	W1600.2453.27
Backplate F072 antique nickel unlacquered	W1600.2453.37
Backplate F063 antique nickel unlacquered	W1600.2453.67
Backplate F072 antique nickel unlacquered	W1600.2453.70
Backplate F078 antique nickel unlacquered	W1600.2453.72

ART-DECO BACKPLATE

DESCRIPTION NUMBER

Backplate Blind polished chrome	W2100.2453.01
Backplate KH56 polished chrome	W2100.2453.04
Backplate KH72 polished chrome	W2100.2453.12
Backplate KH92 polished chrome	W2100.2453.14
Backplate PZ55 polished chrome	W2100.2453.24
Backplate PZ72 polished chrome	W2100.2453.27
Backplate PZ92 polished chrome	W2100.2453.37
Backplate F063 polished chrome	W2100.2453.67
Backplate F072 polished chrome	W2100.2453.70
Backplate F078 polished chrome	W2100.2453.72



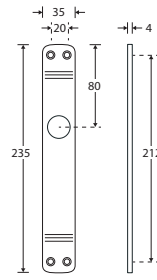
W2100.2453.01



ART-DECO BACKPLATE

DESCRIPTION NUMBER

Backplate Blind satin chrome	W2300.2453.01
Backplate KH56 satin chrome	W2300.2453.04
Backplate KH72 satin chrome	W2300.2453.12
Backplate KH92 satin chrome	W2300.2453.14
Backplate PZ55 satin chrome	W2300.2453.24
Backplate PZ72 satin chrome	W2300.2453.27
Backplate PZ92 satin chrome	W2300.2453.37
Backplate F063 satin chrome	W2300.2453.67
Backplate F072 satin chrome	W2300.2453.70
Backplate F078 satin chrome	W2300.2453.72



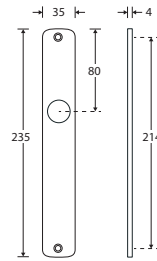
W2300.2453.01



DUAL BACKPLATE

DESCRIPTION NUMBER

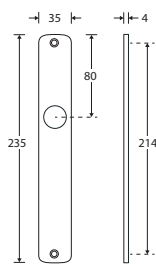
Backplate Blind polished nickel	W1100.2508.01
Backplate KH56 polished nickel	W1100.2508.04
Backplate KH72 polished nickel	W1100.2508.12
Backplate KH92 polished nickel	W1100.2508.14
Backplate KH110 polished nickel	W1100.2508.15
Backplate PZ55 polished nickel	W1100.2508.24
Backplate PZ72 polished nickel	W1100.2508.27
Backplate PZ92 polished nickel	W1100.2508.37
Backplate PZ110 polished nickel	W1100.2508.41
Backplate F063 polished nickel	W1100.2508.67
Backplate F072 polished nickel	W1100.2508.70
Backplate F078 polished nickel	W1100.2508.72



W1100.2508.01



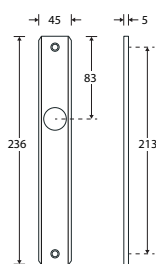
W1300.2508.01



DUAL BACKPLATE

DESCRIPTION	NUMBER
Backplate Blind satin nickel unlacquered	W1300.2508.01
Backplate KH56 satin nickel unlacquered	W1300.2508.04
Backplate KH72 satin nickel unlacquered	W1300.2508.12
Backplate KH92 satin nickel unlacquered	W1300.2508.14
Backplate KH110 satin nickel unlacquered	W1300.2508.15
Backplate PZ55 satin nickel unlacquered	W1300.2508.24
Backplate PZ72 satin nickel unlacquered	W1300.2508.27
Backplate PZ92 satin nickel unlacquered	W1300.2508.37
Backplate PZ110 satin nickel unlacquered	W1300.2508.41
Backplate F063 satin nickel unlacquered	W1300.2508.67
Backplate F072 satin nickel unlacquered	W1300.2508.70
Backplate F078 satin nickel unlacquered	W1300.2508.72

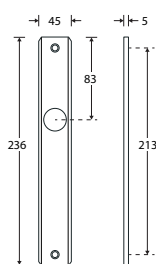
W0100.2448.01



ELEGANT BACKPLATE

DESCRIPTION	NUMBER
Backplate Blind brass lacquered	W0100.2448.01
Backplate KH56 brass lacquered	W0100.2448.04
Backplate KH72 brass lacquered	W0100.2448.12
Backplate KH92 brass lacquered	W0100.2448.14
Backplate KH110 brass lacquered	W0100.2448.15
Backplate PZ55 brass lacquered	W0100.2448.24
Backplate PZ72 brass lacquered	W0100.2448.27
Backplate PZ92 brass lacquered	W0100.2448.37
Backplate PZ110 brass lacquered	W0100.2448.41
Backplate F063 brass lacquered	W0100.2448.67
Backplate F072 brass lacquered	W0100.2448.70
Backplate F078 brass lacquered	W0100.2448.72

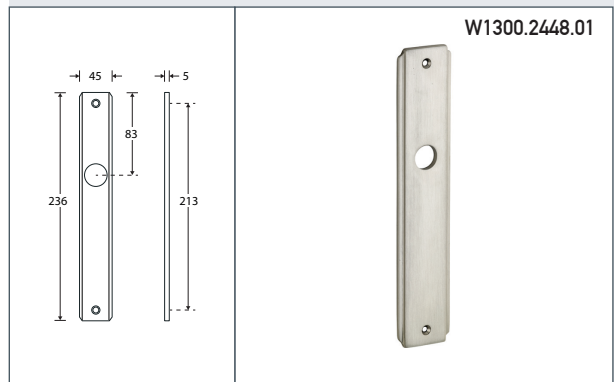
W1100.2448.01



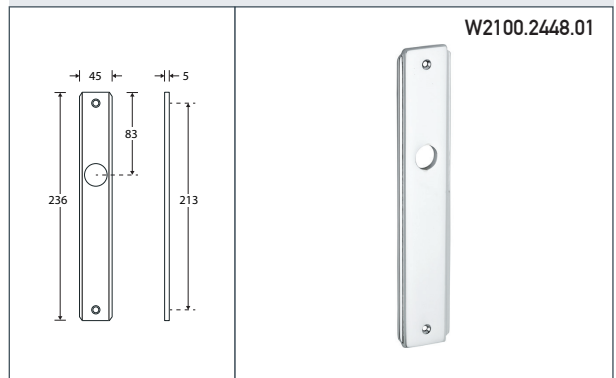
ELEGANT BACKPLATE

DESCRIPTION	NUMBER
Backplate Blind polished nickel	W1100.2448.01
Backplate KH56 polished nickel	W1100.2448.04
Backplate KH72 polished nickel	W1100.2448.12
Backplate KH92 polished nickel	W1100.2448.14
Backplate KH110 polished nickel	W1100.2448.15
Backplate PZ55 polished nickel	W1100.2448.24
Backplate PZ72 polished nickel	W1100.2448.27
Backplate PZ92 polished nickel	W1100.2448.37
Backplate PZ110 polished nickel	W1100.2448.41
Backplate F063 polished nickel	W1100.2448.67
Backplate F072 polished nickel	W1100.2448.70
Backplate F078 polished nickel	W1100.2448.72

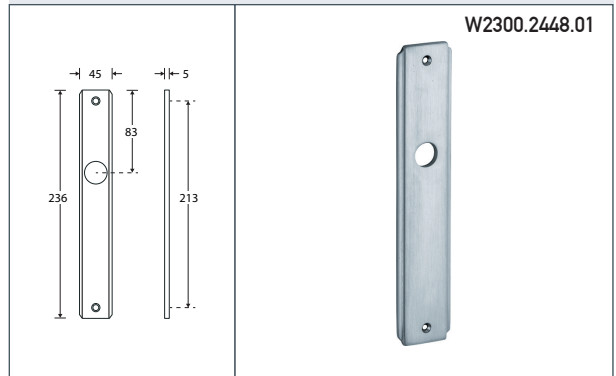
ELEGANT BACKPLATE	
DESCRIPTION	NUMBER
Backplate Blind satin nickel unlacquered	W1300.2448.01
Backplate KH56 satin nickel unlacquered	W1300.2448.04
Backplate KH72 satin nickel unlacquered	W1300.2448.12
Backplate KH92 satin nickel unlacquered	W1300.2448.14
Backplate KH110 satin nickel unlacquered	W1300.2448.15
Backplate PZ55 satin nickel unlacquered	W1300.2448.24
Backplate PZ72 satin nickel unlacquered	W1300.2448.27
Backplate PZ92 satin nickel unlacquered	W1300.2448.37
Backplate PZ110 satin nickel unlacquered	W1300.2448.41
Backplate F063 satin nickel unlacquered	W1300.2448.67
Backplate F072 satin nickel unlacquered	W1300.2448.70
Backplate F078 satin nickel unlacquered	W1300.2448.72



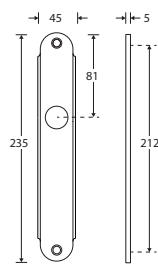
ELEGANT BACKPLATE	
DESCRIPTION	NUMBER
Backplate Blind polished chrome	W2100.2448.01
Backplate KH56 polished chrome	W2100.2448.04
Backplate KH72 polished chrome	W2100.2448.12
Backplate KH92 polished chrome	W2100.2448.14
Backplate KH110 polished chrome	W2100.2448.15
Backplate PZ55 polished chrome	W2100.2448.24
Backplate PZ72 polished chrome	W2100.2448.27
Backplate PZ92 polished chrome	W2100.2448.37
Backplate PZ110 polished chrome	W2100.2448.41
Backplate F063 polished chrome	W2100.2448.67
Backplate F072 polished chrome	W2100.2448.70
Backplate F078 polished chrome	W2100.2448.72



ELEGANT BACKPLATE	
DESCRIPTION	NUMBER
Backplate Blind satin chrome	W2300.2448.01
Backplate KH56 satin chrome	W2300.2448.04
Backplate KH72 satin chrome	W2300.2448.12
Backplate KH92 satin chrome	W2300.2448.14
Backplate KH110 satin chrome	W2300.2448.15
Backplate PZ55 satin chrome	W2300.2448.24
Backplate PZ72 satin chrome	W2300.2448.27
Backplate PZ92 satin chrome	W2300.2448.37
Backplate PZ110 satin chrome	W2300.2448.41
Backplate F063 satin chrome	W2300.2448.67
Backplate F072 satin chrome	W2300.2448.70
Backplate F078 satin chrome	W2300.2448.72



W0100.2461.01



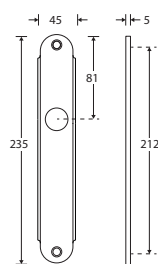
OVALE BACKPLATE

DESCRIPTION

NUMBER

Backplate Blind brass lacquered	W0100.2461.01
Backplate KH56 brass lacquered	W0100.2461.04
Backplate KH72 brass lacquered	W0100.2461.12
Backplate KH92 brass lacquered	W0100.2461.14
Backplate KH110 brass lacquered	W0100.2461.15
Backplate PZ55 brass lacquered	W0100.2461.24
Backplate PZ72 brass lacquered	W0100.2461.27
Backplate PZ92 brass lacquered	W0100.2461.37
Backplate PZ110 brass lacquered	W0100.2461.41
Backplate F063 brass lacquered	W0100.2461.67
Backplate F072 brass lacquered	W0100.2461.70
Backplate F078 brass lacquered	W0100.2461.72

W1100.2461.01



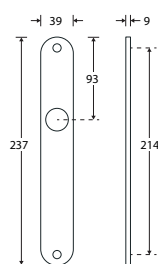
OVALE BACKPLATE

DESCRIPTION

NUMBER

Backplate Blind polished nickel	W1100.2461.01
Backplate KH56 polished nickel	W1100.2461.04
Backplate KH72 polished nickel	W1100.2461.12
Backplate KH92 polished nickel	W1100.2461.14
Backplate KH110 polished nickel	W1100.2461.15
Backplate PZ55 polished nickel	W1100.2461.24
Backplate PZ72 polished nickel	W1100.2461.27
Backplate PZ92 polished nickel	W1100.2461.37
Backplate PZ110 polished nickel	W1100.2461.41
Backplate F063 polished nickel	W1100.2461.67
Backplate F072 polished nickel	W1100.2461.70
Backplate F078 polished nickel	W1100.2461.72

W0100.2468.01



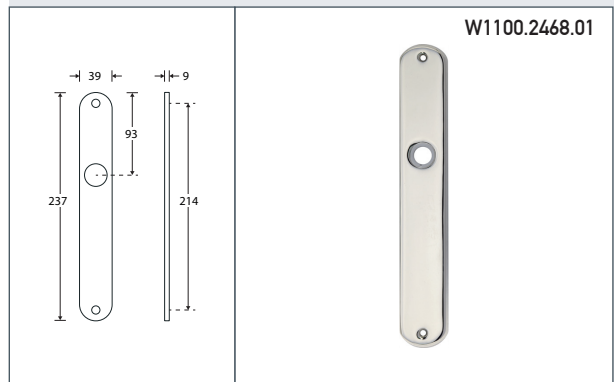
RONDO BACKPLATE

DESCRIPTION

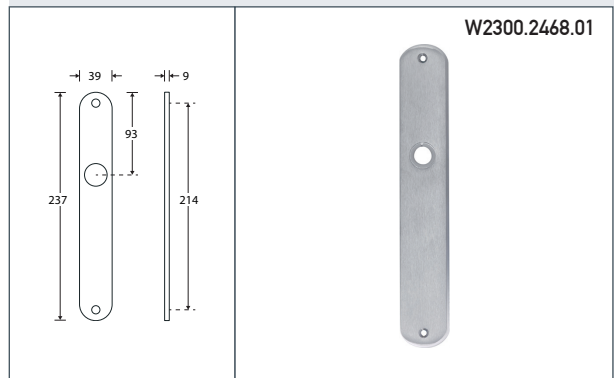
NUMBER

Backplate Blind brass lacquered	W0100.2468.01
Backplate KH56 brass lacquered	W0100.2468.04
Backplate KH72 brass lacquered	W0100.2468.12
Backplate KH92 brass lacquered	W0100.2468.14
Backplate KH110 brass lacquered	W0100.2468.15
Backplate PZ55 brass lacquered	W0100.2468.24
Backplate PZ72 brass lacquered	W0100.2468.27
Backplate PZ92 brass lacquered	W0100.2468.37
Backplate PZ110 brass lacquered	W0100.2468.41
Backplate F063 brass lacquered	W0100.2468.67
Backplate F072 brass lacquered	W0100.2468.70
Backplate F078 brass lacquered	W0100.2468.72

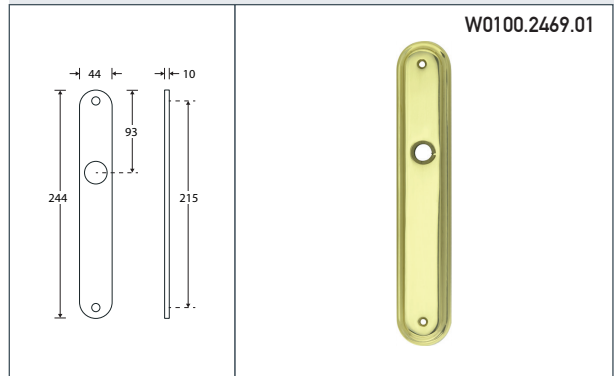
RONDO BACKPLATE	
DESCRIPTION	NUMBER
Backplate Blind polished nickel	W1100.2468.01
Backplate KH56 polished nickel	W1100.2468.04
Backplate KH72 polished nickel	W1100.2468.12
Backplate KH92 polished nickel	W1100.2468.14
Backplate KH110 polished nickel	W1100.2468.15
Backplate PZ55 polished nickel	W1100.2468.24
Backplate PZ72 polished nickel	W1100.2468.27
Backplate PZ92 polished nickel	W1100.2468.37
Backplate PZ110 polished nickel	W1100.2468.41
Backplate F063 polished nickel	W1100.2468.67
Backplate F072 polished nickel	W1100.2468.70
Backplate F078 polished nickel	W1100.2468.72



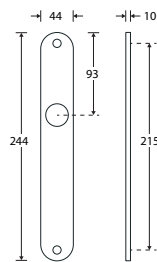
RONDO BACKPLATE	
DESCRIPTION	NUMBER
Backplate Blind satin chrome	W2300.2468.01
Backplate KH56 satin chrome	W2300.2468.04
Backplate KH72 satin chrome	W2300.2468.12
Backplate KH92 satin chrome	W2300.2468.14
Backplate KH110 satin chrome	W2300.2468.15
Backplate PZ55 satin chrome	W2300.2468.24
Backplate PZ72 satin chrome	W2300.2468.27
Backplate PZ92 satin chrome	W2300.2468.37
Backplate PZ110 satin chrome	W2300.2468.41
Backplate F063 satin chrome	W2300.2468.67
Backplate F072 satin chrome	W2300.2468.70
Backplate F078 satin chrome	W2300.2468.72



NOVIATRES BACKPLATE	
DESCRIPTION	NUMBER
Backplate Blind brass lacquered	W0100.2469.01
Backplate KH56 brass lacquered	W0100.2469.04
Backplate KH72 brass lacquered	W0100.2469.12
Backplate KH92 brass lacquered	W0100.2469.14
Backplate KH110 brass lacquered	W0100.2469.15
Backplate PZ55 brass lacquered	W0100.2469.24
Backplate PZ72 brass lacquered	W0100.2469.27
Backplate PZ92 brass lacquered	W0100.2469.37
Backplate PZ110 brass lacquered	W0100.2469.41
Backplate F063 brass lacquered	W0100.2469.67
Backplate F072 brass lacquered	W0100.2469.70
Backplate F078 brass lacquered	W0100.2469.72



W1100.2469.01



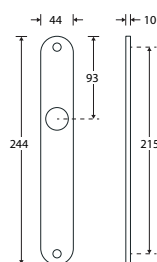
NOVIATRES BACKPLATE

DESCRIPTION

NUMBER

Backplate Blind polished nickel	W1100.2469.01
Backplate KH56 polished nickel	W1100.2469.04
Backplate KH72 polished nickel	W1100.2469.12
Backplate KH92 polished nickel	W1100.2469.14
Backplate KH110 polished nickel	W1100.2469.15
Backplate PZ55 polished nickel	W1100.2469.24
Backplate PZ72 polished nickel	W1100.2469.27
Backplate PZ92 polished nickel	W1100.2469.37
Backplate PZ110 polished nickel	W1100.2469.41
Backplate F063 polished nickel	W1100.2469.67
Backplate F072 polished nickel	W1100.2469.70
Backplate F078 polished nickel	W1100.2469.72

W2300.2469.01



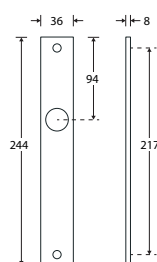
NOVIATRES BACKPLATE

DESCRIPTION

NUMBER

Backplate Blind satin chrome	W2300.2469.01
Backplate KH56 satin chrome	W2300.2469.04
Backplate KH72 satin chrome	W2300.2469.12
Backplate KH92 satin chrome	W2300.2469.14
Backplate KH110 satin chrome	W2300.2469.15
Backplate PZ55 satin chrome	W2300.2469.24
Backplate PZ72 satin chrome	W2300.2469.27
Backplate PZ92 satin chrome	W2300.2469.37
Backplate PZ110 satin chrome	W2300.2469.41
Backplate F063 satin chrome	W2300.2469.67
Backplate F072 satin chrome	W2300.2469.70
Backplate F078 satin chrome	W2300.2469.72

W0100.2467.01



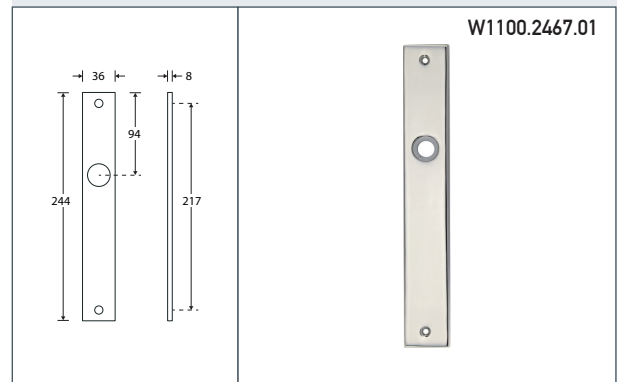
DIRITTO BACKPLATE

DESCRIPTION

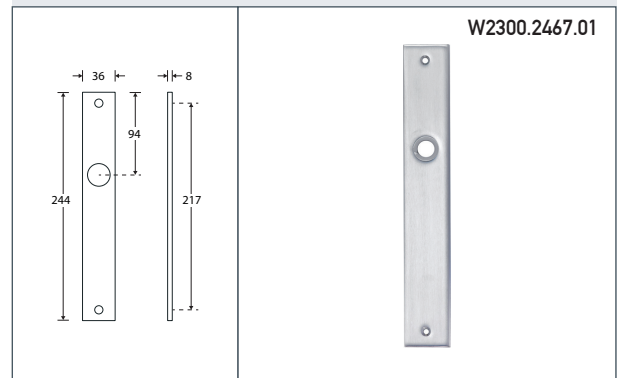
NUMBER

Backplate Blind brass lacquered	W0100.2467.01
Backplate KH56 brass lacquered	W0100.2467.04
Backplate KH72 brass lacquered	W0100.2467.12
Backplate KH92 brass lacquered	W0100.2467.14
Backplate KH110 brass lacquered	W0100.2467.15
Backplate PZ55 brass lacquered	W0100.2467.24
Backplate PZ72 brass lacquered	W0100.2467.27
Backplate PZ92 brass lacquered	W0100.2467.37
Backplate PZ110 brass lacquered	W0100.2467.41
Backplate F063 brass lacquered	W0100.2467.67
Backplate F072 brass lacquered	W0100.2467.70
Backplate F078 brass lacquered	W0100.2467.72

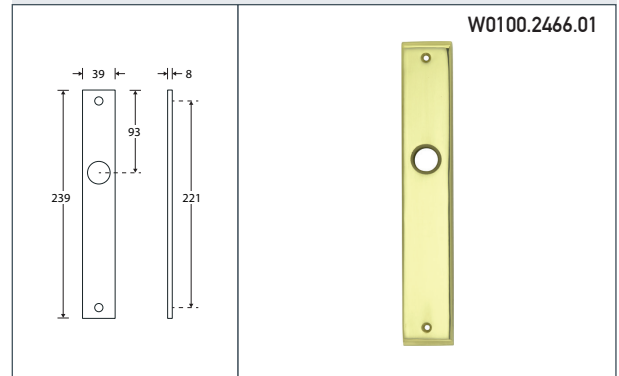
DIRITTO BACKPLATE	
DESCRIPTION	NUMBER
Backplate Blind polished nickel	W1100.2467.01
Backplate KH56 polished nickel	W1100.2467.04
Backplate KH72 polished nickel	W1100.2467.12
Backplate KH92 polished nickel	W1100.2467.14
Backplate KH110 polished nickel	W1100.2467.15
Backplate PZ55 polished nickel	W1100.2467.24
Backplate PZ72 polished nickel	W1100.2467.27
Backplate PZ92 polished nickel	W1100.2467.37
Backplate PZ110 polished nickel	W1100.2467.41
Backplate F063 polished nickel	W1100.2467.67
Backplate F072 polished nickel	W1100.2467.70
Backplate F078 polished nickel	W1100.2467.72



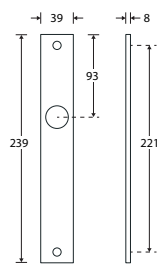
DIRITTO BACKPLATE	
DESCRIPTION	NUMBER
Backplate Blind satin chrome	W2300.2467.01
Backplate KH56 satin chrome	W2300.2467.04
Backplate KH72 satin chrome	W2300.2467.12
Backplate KH92 satin chrome	W2300.2467.14
Backplate KH110 satin chrome	W2300.2467.15
Backplate PZ55 satin chrome	W2300.2467.24
Backplate PZ72 satin chrome	W2300.2467.27
Backplate PZ92 satin chrome	W2300.2467.37
Backplate PZ110 satin chrome	W2300.2467.41
Backplate F063 satin chrome	W2300.2467.67
Backplate F072 satin chrome	W2300.2467.70
Backplate F078 satin chrome	W2300.2467.72



QUATTRO BACKPLATE	
DESCRIPTION	NUMBER
Backplate Blind brass lacquered	W0100.2466.01
Backplate KH56 brass lacquered	W0100.2466.04
Backplate KH72 brass lacquered	W0100.2466.12
Backplate KH92 brass lacquered	W0100.2466.14
Backplate KH110 brass lacquered	W0100.2466.15
Backplate PZ55 brass lacquered	W0100.2466.24
Backplate PZ72 brass lacquered	W0100.2466.27
Backplate PZ92 brass lacquered	W0100.2466.37
Backplate PZ110 brass lacquered	W0100.2466.41
Backplate F063 brass lacquered	W0100.2466.67
Backplate F072 brass lacquered	W0100.2466.70
Backplate F078 brass lacquered	W0100.2466.72



W1100.2466.01



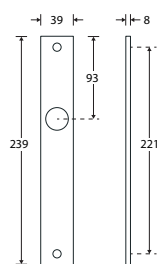
QUATTRO BACKPLATE

DESCRIPTION

NUMBER

Backplate Blind polished nickel	W1100.2466.01
Backplate KH56 polished nickel	W1100.2466.04
Backplate KH72 polished nickel	W1100.2466.12
Backplate KH92 polished nickel	W1100.2466.14
Backplate KH110 polished nickel	W1100.2466.15
Backplate PZ55 polished nickel	W1100.2466.24
Backplate PZ72 polished nickel	W1100.2466.27
Backplate PZ92 polished nickel	W1100.2466.37
Backplate PZ110 polished nickel	W1100.2466.41
Backplate F063 polished nickel	W1100.2466.67
Backplate F072 polished nickel	W1100.2466.70
Backplate F078 polished nickel	W1100.2466.72

W2300.2466.01



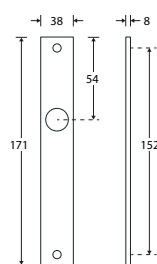
QUATTRO BACKPLATE

DESCRIPTION

NUMBER

Backplate Blind satin chrome	W2300.2466.01
Backplate KH56 satin chrome	W2300.2466.04
Backplate KH72 satin chrome	W2300.2466.12
Backplate KH92 satin chrome	W2300.2466.14
Backplate KH110 satin chrome	W2300.2466.15
Backplate PZ55 satin chrome	W2300.2466.24
Backplate PZ72 satin chrome	W2300.2466.27
Backplate PZ92 satin chrome	W2300.2466.37
Backplate PZ110 satin chrome	W2300.2466.41
Backplate F063 satin chrome	W2300.2466.67
Backplate F072 satin chrome	W2300.2466.70
Backplate F078 satin chrome	W2300.2466.72

W0100.2465.01



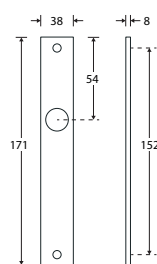
QUATTRO SHORT BACKPLATE

DESCRIPTION

NUMBER

Short backplate Blind brass lacquered	W0100.2465.01
Short backplate KH56 brass lacquered	W0100.2465.04
Short backplate KH72 brass lacquered	W0100.2465.12
Short backplate PZ55 brass lacquered	W0100.2465.24
Short backplate PZ72 brass lacquered	W0100.2465.27
Short backplate F063 brass lacquered	W0100.2465.67
Short backplate F072 brass lacquered	W0100.2465.70

W1100.2465.01



QUATTRO SHORT BACKPLATE

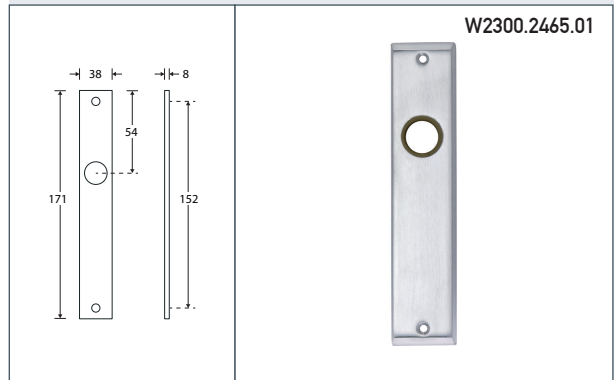
DESCRIPTION

NUMBER

Short backplate Blind polished nickel	W1100.2465.01
Short backplate KH56 polished nickel	W1100.2465.04
Short backplate KH72 polished nickel	W1100.2465.12
Short backplate PZ55 polished nickel	W1100.2465.24
Short backplate PZ72 polished nickel	W1100.2465.27
Short backplate F063 polished nickel	W1100.2465.67
Short backplate F072 polished nickel	W1100.2465.70

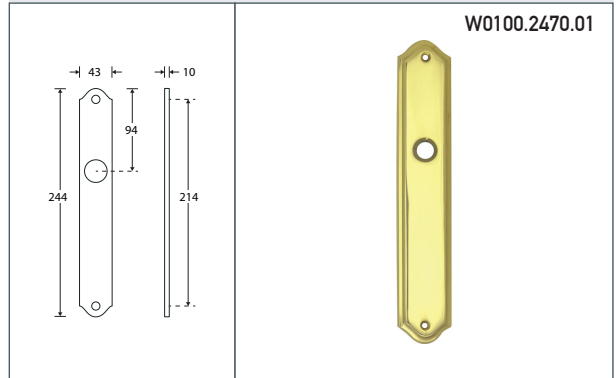
QUATTRO SHORT BACKPLATE

DESCRIPTION	NUMBER
Short backplate Blind satin chrome	W2300.2465.01
Short backplate KH56 satin chrome	W2300.2465.04
Short backplate KH72 satin chrome	W2300.2465.12
Short backplate PZ55 satin chrome	W2300.2465.24
Short backplate PZ72 satin chrome	W2300.2465.27
Short backplate F063 satin chrome	W2300.2465.67
Short backplate F072 satin chrome	W2300.2465.70



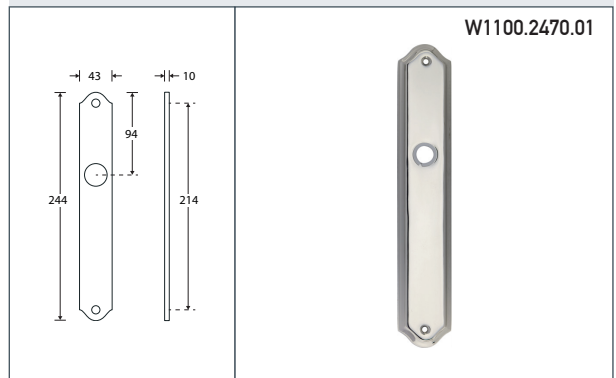
ATHENE BACKPLATE

DESCRIPTION	NUMBER
Backplate Blind brass lacquered	W0100.2470.01
Backplate KH56 brass lacquered	W0100.2470.04
Backplate KH72 brass lacquered	W0100.2470.12
Backplate KH92 brass lacquered	W0100.2470.14
Backplate KH110 brass lacquered	W0100.2470.15
Backplate PZ55 brass lacquered	W0100.2470.24
Backplate PZ72 brass lacquered	W0100.2470.27
Backplate PZ92 brass lacquered	W0100.2470.37
Backplate PZ110 brass lacquered	W0100.2470.41
Backplate F063 brass lacquered	W0100.2470.67
Backplate F072 brass lacquered	W0100.2470.70
Backplate F078 brass lacquered	W0100.2470.72

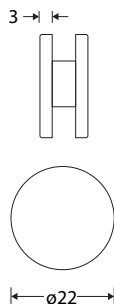


ATHENE BACKPLATE

DESCRIPTION	NUMBER
Backplate Blind polished nickel	W1100.2470.01
Backplate KH56 polished nickel	W1100.2470.04
Backplate KH72 polished nickel	W1100.2470.12
Backplate KH92 polished nickel	W1100.2470.14
Backplate KH110 polished nickel	W1100.2470.15
Backplate PZ55 polished nickel	W1100.2470.24
Backplate PZ72 polished nickel	W1100.2470.27
Backplate PZ92 polished nickel	W1100.2470.37
Backplate PZ110 polished nickel	W1100.2470.41
Backplate F063 polished nickel	W1100.2470.67
Backplate F072 polished nickel	W1100.2470.70
Backplate F078 polished nickel	W1100.2470.72



W1100.2471.90



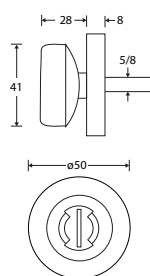
CAP FOR LEVER HOLE

DESCRIPTION

NUMBER

Cap for lever hole brass lacquered	W0100.2471.90
Cap for lever hole brass unlacquered	W0200.2471.90
Cap for lever hole polished brass PVD	W0300.2471.90
Cap for lever hole brass antique	W0500.2471.90
Cap for lever hole polished nickel	W1100.2471.90
Cap for lever hole satin nickel unlacquered	W1300.2471.90
Cap for lever hole satin nickel PVD	W1400.2471.90
Cap for lever hole antique nickel unlacquered	W1600.2471.90
Cap for lever hole polished chrome	W2100.2471.90
Cap for lever hole satin chrome	W2300.2471.90
Cap for lever hole antique chrome	W2500.2471.90
Cap for lever hole matt black	W3000.2471.90

W1100.2444.61



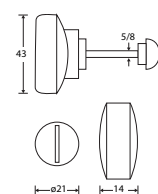
VIVO FREE OCCUPIED SET 5-8 MM

DESCRIPTION

NUMBER

Free occupied set 5-8 mm brass lacquered	W0100.2444.61
Free occupied set 5-8 mm brass unlacquered	W0200.2444.61
Free occupied set 5-8 mm brass antique	W0500.2444.61
Free occupied set 5-8 mm polished nickel	W1100.2444.61
Free occupied set 5-8 mm satin nickel unlacquered	W1300.2444.61
Free occupied set 5-8 mm antique nickel unlacquered	W1600.2444.61
Free occupied set 5-8 mm polished chrome	W2100.2444.61
Free occupied set 5-8 mm satin chrome	W2300.2444.61
Free occupied set 5-8 mm matt black	W3000.2444.61

W1100.2442.61



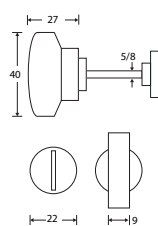
ELEGANT FREE OCCUPIED SPINDLE 5-8MM

DESCRIPTION

NUMBER

Free occupied spindle 5-8mm brass lacquered	W0100.2442.61
Free occupied spindle 5-8mm brass unlacquered	W0200.2442.61
Free occupied spindle 5-8mm brass antique	W0500.2442.61
Free occupied spindle 5-8mm polished nickel	W1100.2442.61
Free occupied spindle 5-8mm satin nickel unlacquered	W1300.2442.61
Free occupied spindle 5-8mm antique nickel unlacquered	W1600.2442.61
Free occupied spindle 5-8mm polished chrome	W2100.2442.61
Free occupied spindle 5-8mm satin chrome	W2300.2442.61
Free occupied spindle 5-8mm matt black	W3000.2442.61

W1100.2443.61



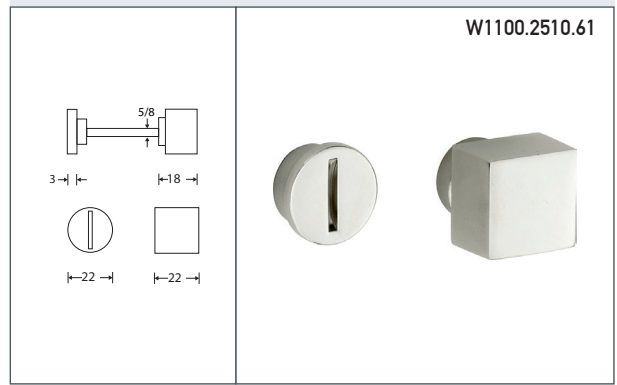
PIATTO FREE OCCUPIED SPINDLE 5-8MM

DESCRIPTION

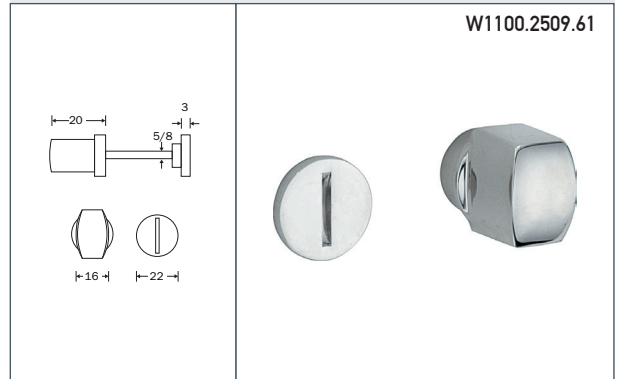
NUMBER

Free occupied spindle 5-8mm brass lacquered	W0100.2443.61
Free occupied spindle 5-8mm brass unlacquered	W0200.2443.61
Free occupied spindle 5-8mm brass antique	W0500.2443.61
Free occupied spindle 5-8mm polished nickel	W1100.2443.61
Free occupied spindle 5-8mm satin nickel unlacquered	W1300.2443.61
Free occupied spindle 5-8mm antique nickel unlacquered	W1600.2443.61
Free occupied spindle 5-8mm polished chrome	W2100.2443.61
Free occupied spindle 5-8mm satin chrome	W2300.2443.61
Free occupied spindle 5-8mm matt black	W3000.2443.61

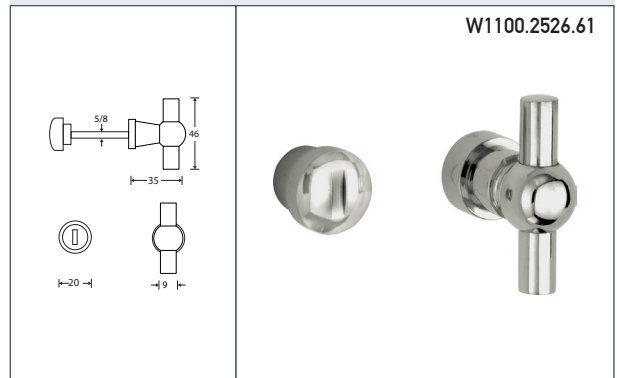
BAUHAUS-STYLE FREE OCCUPIED SPINDLE 5-8MM	
DESCRIPTION	NUMBER
Free occupied spindle 5-8mm brass lacquered	W0100.2510.61
Free occupied spindle 5-8mm brass unlacquered	W0200.2510.61
Free occupied spindle 5-8mm brass antique	W0500.2510.61
Free occupied spindle 5-8mm polished nickel	W1100.2510.61
Free occupied spindle 5-8mm satin nickel unlacquered	W1300.2510.61
Free occupied spindle 5-8mm polished chrome	W2100.2510.61
Free occupied spindle 5-8mm satin chrome	W2300.2510.61
Free occupied spindle 5-8mm matt black	W3000.2510.61



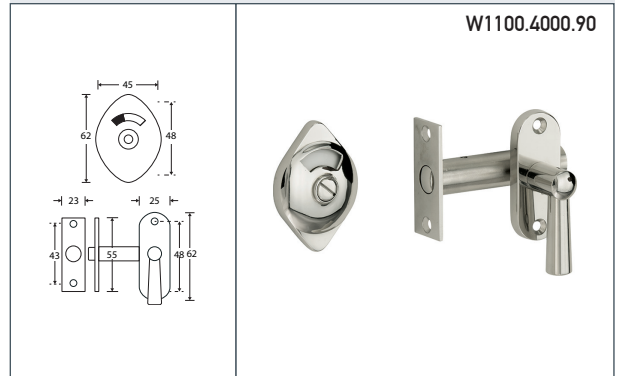
DUAL FREE OCCUPIED SPINDLE 5-8MM	
DESCRIPTION	NUMBER
Free occupied spindle 5-8mm polished nickel	W1100.2509.61
Free occupied spindle 5-8mm satin nickel unlacquered	W1300.2509.61



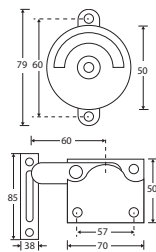
CHEMIN DE FER FREE OCCUPIED SPINDLE 5-8MM	
DESCRIPTION	NUMBER
Free occupied spindle 5-8mm brass unlacquered	W0200.2526.61
Free occupied spindle 5-8mm brass antique	W0500.2526.61
Free occupied spindle 5-8mm polished nickel	W1100.2526.61
Free occupied spindle 5-8mm satin nickel unlacquered	W1300.2526.61
Free occupied spindle 5-8mm matt black	W3000.2526.61



ELEGANT MORTICE BOLT WITH FREE OCCUPIED INDICATOR	
DESCRIPTION	NUMBER
Mortice bolt with free occupied indicator brass lacquered	W0100.4000.90
Mortice bolt with free occupied indicator brass unlacquered	W0200.4000.90
Mortice bolt with free occupied indicator polished nickel	W1100.4000.90
Mortice bolt with free occupied indicator satin nickel unlacquered	W1300.4000.90
Mortice bolt with free occupied indicator satin chrome	W2300.4000.90
Mortice bolt with free occupied indicator matt black	W3000.4000.90



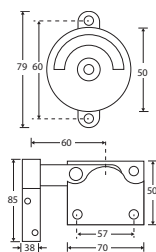
W1100.2447.90



ELEGANT FREE OCCUPIED THROWOVER CATCH WITH ELBOW

DESCRIPTION	NUMBER
Vacant occupied throwover catch with elbow, complete red / green brass lacquered	W0100.2447.90
Vacant occupied throwover catch with elbow, complete red / green brass unlacquered	W0200.2447.90
Vacant occupied throwover catch with elbow, complete red / green brass antique	W0500.2447.90
Vacant occupied throwover catch with elbow, complete red / green polished nickel	W1100.2447.90
Vacant occupied throwover catch with elbow, complete red / green satin nickel unlacquered	W1300.2447.90
Vacant occupied throwover catch with elbow, complete red / green antique nickel unlacquered	W1600.2447.90
Vacant occupied throwover catch with elbow, complete red / green polished chrome	W2100.2447.90
Vacant occupied throwover catch with elbow, complete red / green satin chrome	W2300.2447.90
Vacant occupied throwover catch with elbow, complete red / green matt black	W3000.2447.90

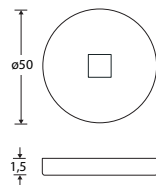
W1100.2446.90



ELEGANT FREE OCCUPIED THROWOVER CATCH FLAT

DESCRIPTION	NUMBER
Vacant occupied throwover catch flat, complete red / green brass lacquered	W0100.2446.90
Vacant occupied throwover catch flat, complete red / green brass unlacquered	W0200.2446.90
Vacant occupied throwover catch flat, complete red / green brass antique	W0500.2446.90
Vacant occupied throwover catch flat, complete red / green polished nickel	W1100.2446.90
Vacant occupied throwover catch flat, complete red / green satin nickel unlacquered	W1300.2446.90
Vacant occupied throwover catch flat, complete red / green antique nickel unlacquered	W1600.2446.90
Vacant occupied throwover catch flat, complete red / green polished chrome	W2100.2446.90
Vacant occupied throwover catch flat, complete red / green satin chrome	W2300.2446.90
Vacant occupied throwover catch flat, complete red / green matt black	W3000.2446.90

W0000.9149.90



ENAMEL DISK FREE / OCCUPIED THROWOVER CATCH

DESCRIPTION	NUMBER
Enamel disk vacant / occupied throwover catch vacant / occupied white / black	W0000.9149.90
Enamel disk vacant / occupied throwover catch vrij / bezet white / black	W0000.9026.90
Enamel disk vacant / occupied throwover catch libre / occupe white / black	W0000.9027.90
Enamel disk vacant / occupied throwover catch frei / besetzt white / black	W0000.9107.90

M&T DRILLING TEMPLATE

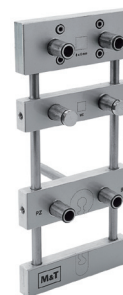
DESCRIPTION

M&T drilling template aluminium

NUMBER

W6190.9900.90

W6190.9900.90



DRILLING MOLD MINI ROSETTE

DESCRIPTION

Drilling mold mini rosette

NUMBER

W0000.9900.90

W0000.9900.90



WOOD SCREW DIN 95, 4PCS

DESCRIPTION

Wood screw DIN 95, 4pcs brass unlacquered

NUMBER

W0200.9037.90

Wood screw DIN 95, 4pcs polished nickel

W1100.9037.90

Wood screw DIN 95, 4pcs satin nickel unlacquered

W1300.9037.90

Wood screw DIN 95, 4pcs polished chrome

W2100.9037.90

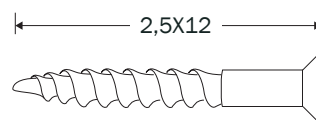
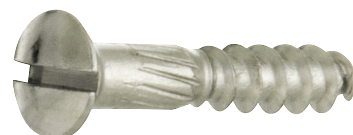
Wood screw DIN 95, 4pcs satin chrome

W2300.9037.90

Wood screw DIN 95, 4pcs matt black

W3000.9037.90

W1100.9037.90



WOOD SCREW DIN 95, 4PCS

DESCRIPTION

Wood screw DIN 95, 4pcs brass unlacquered

NUMBER

W0200.9046.90

Wood screw DIN 95, 4pcs polished nickel

W1100.9046.90

Wood screw DIN 95, 4pcs satin nickel unlacquered

W1300.9046.90

Wood screw DIN 95, 4pcs polished chrome

W2100.9046.90

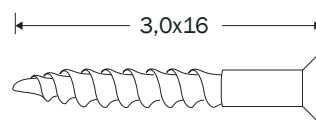
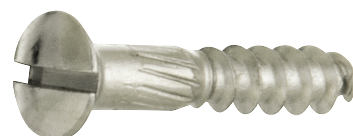
Wood screw DIN 95, 4pcs satin chrome

W2300.9046.90

Wood screw DIN 95, 4pcs matt black

W3000.9046.90

W1100.9046.90



WOOD SCREW DIN 95, 4PCS

DESCRIPTION

Wood screw DIN 95, 4pcs brass unlacquered

NUMBER

W0200.9038.90

Wood screw DIN 95, 4pcs polished nickel

W1100.9038.90

Wood screw DIN 95, 4pcs satin nickel unlacquered

W1300.9038.90

Wood screw DIN 95, 4pcs polished chrome

W2100.9038.90

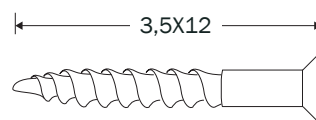
Wood screw DIN 95, 4pcs satin chrome

W2300.9038.90

Wood screw DIN 95, 4pcs matt black

W3000.9038.90

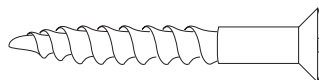
W1100.9038.90



W1100.9039.90



3,5X16



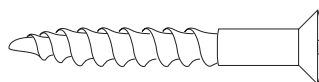
WOOD SCREW DIN 95, 4PCS

DESCRIPTION	NUMBER
Wood screw DIN 95, 4pcs brass unlacquered	W0200.9039.90
Wood screw DIN 95, 4pcs polished nickel	W1100.9039.90
Wood screw DIN 95, 4pcs satin nickel unlacquered	W1300.9039.90
Wood screw DIN 95, 4pcs polished chrome	W2100.9039.90
Wood screw DIN 95, 4pcs satin chrome	W2300.9039.90
Wood screw DIN 95, 4pcs matt black	W3000.9039.90

W1100.9040.90



3,5X20



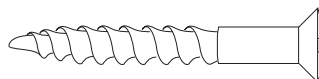
WOOD SCREW DIN 95, 4PCS

DESCRIPTION	NUMBER
Wood screw DIN 95, 4pcs brass unlacquered	W0200.9040.90
Wood screw DIN 95, 4pcs polished nickel	W1100.9040.90
Wood screw DIN 95, 4pcs satin nickel unlacquered	W1300.9040.90
Wood screw DIN 95, 4pcs polished chrome	W2100.9040.90
Wood screw DIN 95, 4pcs satin chrome	W2300.9040.90
Wood screw DIN 95, 4pcs matt black	W3000.9040.90

W1100.9041.90



3,5X25



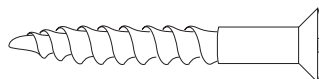
WOOD SCREW DIN 95, 4PCS

DESCRIPTION	NUMBER
Wood screw DIN 95, 4pcs brass unlacquered	W0200.9041.90
Wood screw DIN 95, 4pcs polished nickel	W1100.9041.90
Wood screw DIN 95, 4pcs satin nickel unlacquered	W1300.9041.90
Wood screw DIN 95, 4pcs polished chrome	W2100.9041.90
Wood screw DIN 95, 4pcs satin chrome	W2300.9041.90
Wood screw DIN 95, 4pcs matt black	W3000.9041.90

W1100.9042.90



4,0x20



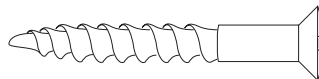
WOOD SCREW DIN 95, 4PCS

DESCRIPTION	NUMBER
Wood screw DIN 95, 4pcs brass unlacquered	W0200.9042.90
Wood screw DIN 95, 4pcs polished nickel	W1100.9042.90
Wood screw DIN 95, 4pcs satin nickel unlacquered	W1300.9042.90
Wood screw DIN 95, 4pcs polished chrome	W2100.9042.90
Wood screw DIN 95, 4pcs satin chrome	W2300.9042.90
Wood screw DIN 95, 4pcs matt black	W3000.9042.90

W1100.9043.90



4,0x25



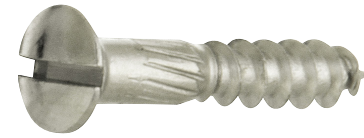
WOOD SCREW DIN 95, 4PCS

DESCRIPTION	NUMBER
Wood screw DIN 95, 4pcs brass unlacquered	W0200.9043.90
Wood screw DIN 95, 4pcs polished nickel	W1100.9043.90
Wood screw DIN 95, 4pcs satin nickel unlacquered	W1300.9043.90
Wood screw DIN 95, 4pcs polished chrome	W2100.9043.90
Wood screw DIN 95, 4pcs satin chrome	W2300.9043.90
Wood screw DIN 95, 4pcs matt black	W3000.9043.90

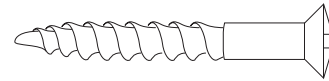
WOOD SCREW DIN 95, 4PCS

DESCRIPTION	NUMBER
Wood screw DIN 95, 4pcs brass unlacquered	W0200.9044.90
Wood screw DIN 95, 4pcs polished nickel	W1100.9044.90
Wood screw DIN 95, 4pcs satin nickel unlacquered	W1300.9044.90
Wood screw DIN 95, 4pcs polished chrome	W2100.9044.90
Wood screw DIN 95, 4pcs satin chrome	W2300.9044.90
Wood screw DIN 95, 4pcs matt black	W3000.9044.90

W1100.9044.90



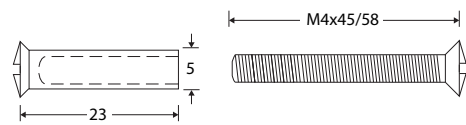
4,0x30



SCREW CONNECTING BOLD AND SLEEVE, 2 PIECES

DESCRIPTION	NUMBER
screw connecting bold and sleeve, 2 pieces brass unlacquered	W0200.9127.90
screw connecting bold and sleeve, 2 pieces polished nickel	W1100.9127.90
screw connecting bold and sleeve, 2 pieces satin nickel unlacquered	W1300.9127.90
screw connecting bold and sleeve, 2 pieces polished chrome	W2100.9127.90
screw connecting bold and sleeve, 2 pieces satin chrome	W2300.9127.90
screw connecting bold and sleeve, 2 pieces matt black	W3000.9127.90

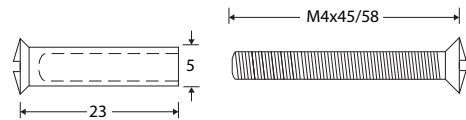
W1100.9127.90



SCREW CONNECTING BOLD AND SLEEVE, 100 PIECES

DESCRIPTION	NUMBER
screw connecting bold and sleeve, 100 pieces brass unlacquered	W0200.9128.90
screw connecting bold and sleeve, 100 pieces polished nickel	W1100.9128.90

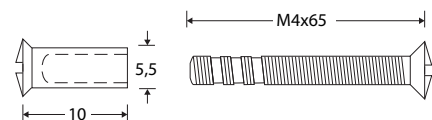
W1100.9128.90



SCREW CONNECTING BOLD AND SLEEVE, 2 PIECES

DESCRIPTION	NUMBER
screw connecting bold and sleeve, 2 pieces brass unlacquered	W0200.9001.90
screw connecting bold and sleeve, 2 pieces polished nickel	W1100.9001.90
screw connecting bold and sleeve, 2 pieces satin nickel unlacquered	W1300.9001.90
screw connecting bold and sleeve, 2 pieces polished chrome	W2100.9001.90
screw connecting bold and sleeve, 2 pieces satin chrome	W2300.9001.90
screw connecting bold and sleeve, 2 pieces matt black	W3000.9001.90

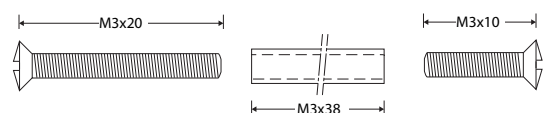
W1100.9001.90



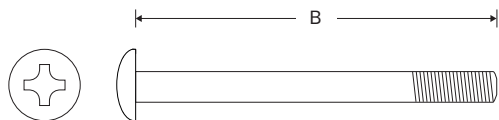
RENOVATION MOUNTING SET DOOR THICKNESS 56MM

DESCRIPTION	NUMBER
Renovation mounting set door thickness 56mm brass unlacquered, 1 piece	W0200.9005.90

W0200.9005.90



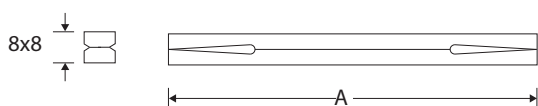
W1100.9075.90



METAL SCREW FOR SECURITY DOOR HANDLE SETS

DESCRIPTION	A	B	NUMBER
Metal screw for security door handle sets brass lacquered	M6	50 mm	W0100.9145.90
Metal screw for security door handle sets brass lacquered	M6	65 mm	W0100.9136.90
Metal screw for security door handle sets polished lacquered	M6	80 mm	W0100.9075.90
Metal screw for security door handle sets brass unlacquered	M6	50 mm	W0200.9145.90
Metal screw for security door handle sets brass unlacquered	M6	65 mm	W0200.9136.90
Metal screw for security door handle sets polished unlacquered	M6	80 mm	W0200.9075.90
Metal screw for security door handle sets polished nickel	M6	50 mm	W1100.9145.90
Metal screw for security door handle sets polished nickel	M6	65 mm	W1100.9136.90
Metal screw for security door handle sets polished nickel	M6	80 mm	W1100.9075.90
Metal screw for security door handle sets satin nickel	M6	50 mm	W1300.9145.90
Metal screw for security door handle sets satin nickel	M6	65 mm	W1300.9136.90
Metal screw for security door handle sets satin nickel	M6	80 mm	W1300.9075.90
Metal screw for security door handle sets polished chrome	M6	50 mm	W2100.9145.90
Metal screw for security door handle sets polished chrome	M6	65 mm	W2100.9136.90
Metal screw for security door handle sets polished chrome	M6	80 mm	W2100.9075.90
Metal screw for security door handle sets satin chrome	M6	50 mm	W2300.9145.90
Metal screw for security door handle sets satin chrome	M6	65 mm	W2300.9136.90
Metal screw for security door handle sets satin chrome	M6	80 mm	W2300.9075.90
Metal screw for security door handle sets matt black	M6	50 mm	W3000.9145.90
Metal screw for security door handle sets matt black	M6	65 mm	W3000.9136.90
Metal screw for security door handle sets matt black	M6	80 mm	W3000.9075.90

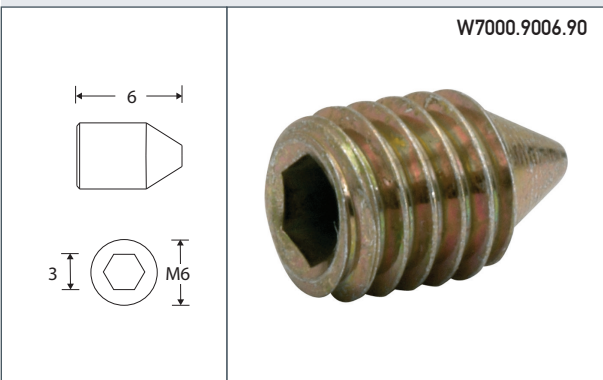
W7100.9007.90



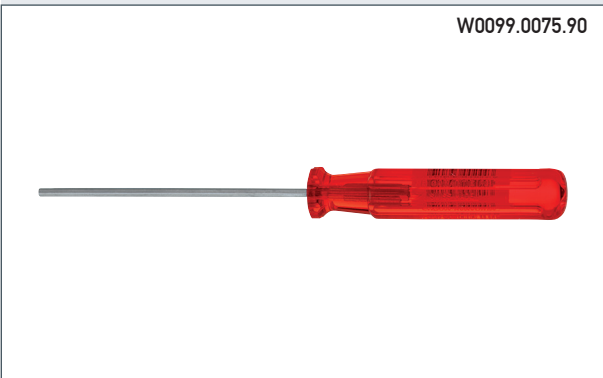
LEVER SPINDLE 8X8 MM

DESCRIPTION	A	NUMBER
Lever spindle 8x8 mm galvanised	110 mm	W7100.9007.90
Lever spindle 8x8 mm galvanised	130 mm	W7100.9008.90
Lever spindle 8x8 mm galvanised	150 mm	W7100.9009.90

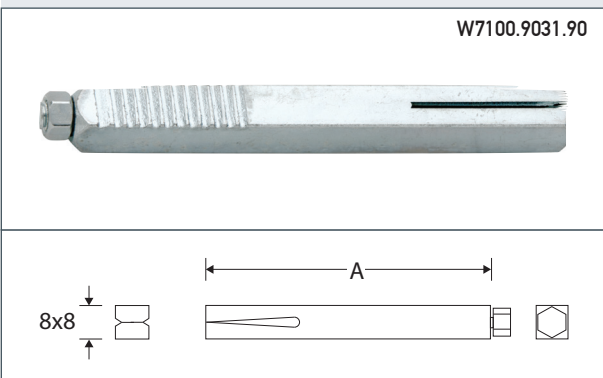
SET SCREW	
DESCRIPTION	NUMBER
Set screw brass	W7000.9006.90



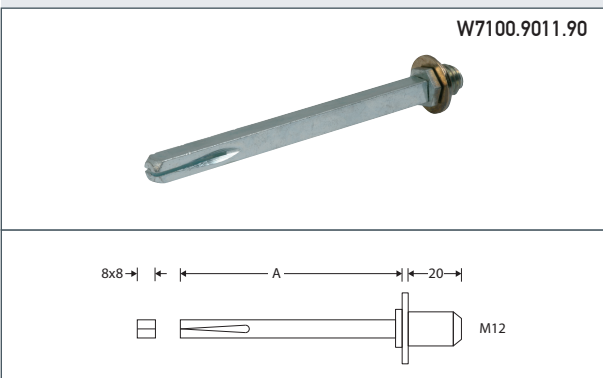
HEXAGON SCREWDRIVER 3 MM	
DESCRIPTION	NUMBER
Hexagon screwdriver 3 mm	W0099.0075.90



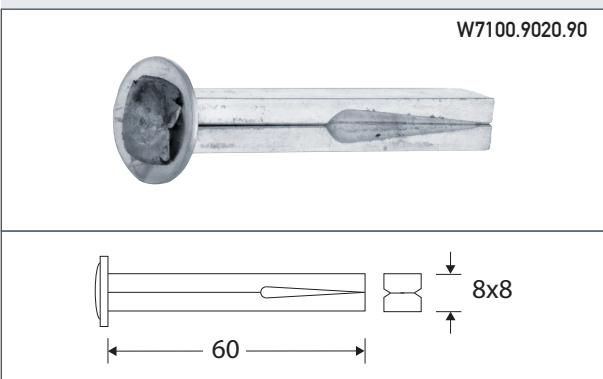
SHORT SPINDLE WITH NUT		
DESCRIPTION	A	NUMBER
Short spindle with nut galvanized	50 mm	W7100.9031.90
Short spindle with nut galvanized	70 mm	W7100.9032.90



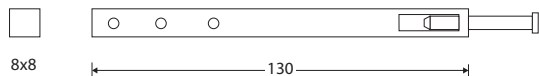
SWIVEL SPINDLE 8X8 MM		
DESCRIPTION	A	NUMBER
Swivel spindle 8x8 mm galvanised	80mm	W7100.9011.90
Swivel spindle 8x8 mm galvanised	100mm	W7100.9012.90
Swivel spindle 8x8 mm galvanised	110mm	W7100.9013.90



SHORT SPINDLE 8X8 MM, WITH RING	
DESCRIPTION	NUMBER
Short spindle 8x8 mm, with ring galvanised	W7100.9020.90



W7170.9003.90



LEVER SPINDLE 8X8 MM, WITH 3 HOLES

DESCRIPTION

Lever spindle 8x8 mm, with 3 holes Iron galvanized

NUMBER

W7170.9003.90

W7170.9002.90



CONICAL COTTER PIN FOR LEVER SPINDLE

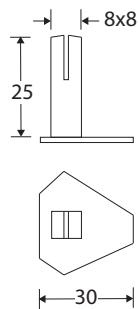
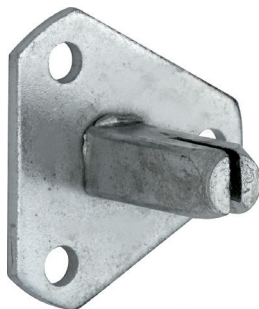
DESCRIPTION

Conical cotter pin for Lever spindle Iron galvanized

NUMBER

W7170.9002.90

W7400.9014.90



MOUNTING SPINDLE DUMMY 8X8MM

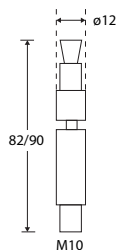
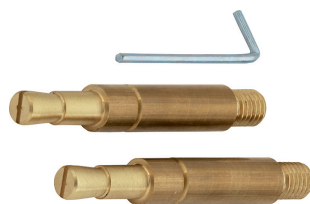
DESCRIPTION

Mounting spindle dummy 8x8mm Iron galvanized

NUMBER

W7400.9014.90

W0400.9129.90



MI SATORI SPINDLE FOR CONNECTING DOUBLE PULL HANDLES

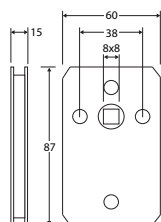
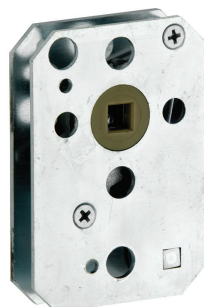
DESCRIPTION

spindle for connecting double pull handles rolled unlacquered

NUMBER

W0400.9129.90

W7100.9019.90



MOUNTING LOCK

DESCRIPTION

Mounting lock galvanized

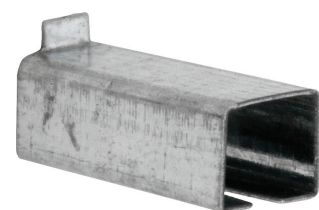
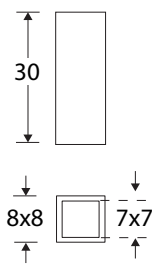
NUMBER

W7100.9019.90

REDUCER 7 MM TO 8 MM

DESCRIPTION NUMBER

Reducer 7 mm to 8 mm galvanized W0099.0034.90

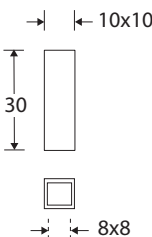


W0099.0034.90

REDUCER 8 MM TO 10 MM

DESCRIPTION NUMBER

Reducer 8 mm to 10 mm galvanized W7100.9018.90

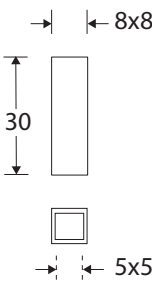


W7100.9018.90

REDUCER 5 MM TO 8 MM

DESCRIPTION NUMBER

Reducer 5 mm to 8 mm black W0000.9016.90

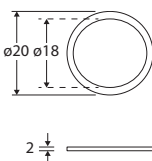


W0000.9016.90

LEVER BEARING 20 MM

DESCRIPTION NUMBER

Lever bearing 20 mm white W0000.9021.90

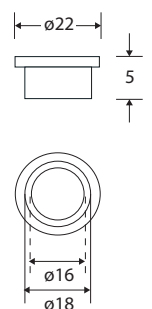


W0000.9021.90

REDUCER 16-18MM

DESCRIPTION NUMBER

- Reducer 16-18mm brass lacquered W0199.0101.90
- Reducer 16-18mm polished nickel W1199.0101.90
- Reducer 16-18mm satin nickel unlacquered W1399.0101.90
- Reducer 16-18mm polished chrome W2199.0101.90
- Reducer 16-18mm satin chrome W2399.0101.90
- Reducer 16-18mm matt black W3099.0101.90



W1199.0101.90

INTERNAL DOOR FITTINGS

Mi Satori goes the extra mile where others don't. Locks and hinges in the same finish as the door handle is a perfect example of this. It's really nice when you can combine your favourite door handles with a matching door lock and matching hinges all in the same finish.

After all, a door, and therefore your interior, is only really complete once the overall picture matches.

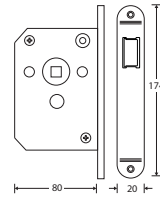


Mi Satori

TOUCH | FEEL | KNOW

NEMEF MORTICE LATCH LOCK

DESCRIPTION	NUMBER
Mortice latch lock brass lacquered	W0100.9300.90
Mortice latch lock brass unlacquered	W0200.9300.90
Mortice latch lock brass antique	W0500.9300.90
Mortice latch lock polished nickel	W1100.9300.90
Mortice latch lock satin nickel unlacquered	W1300.9300.90
Mortice latch lock antique nickel unlacquered	W1600.9300.90
Mortice latch lock polished chrome	W2100.9300.90
Mortice latch lock satin chrome	W2300.9300.90
Mortice latch lock matt black	W3000.9300.90

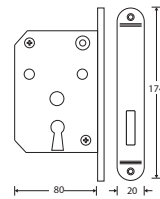


W1100.9300.90



NEMEF MORTICE CABINET LOCK KH

DESCRIPTION	NUMBER
Mortice cabinet lock KH brass lacquered	W0100.9301.55
Mortice cabinet lock KH brass unlacquered	W0200.9301.55
Mortice cabinet lock KH brass antique	W0500.9301.55
Mortice cabinet lock KH polished nickel	W1100.9301.55
Mortice cabinet lock KH satin nickel unlacquered	W1300.9301.55
Mortice cabinet lock KH antique nickel unlacquered	W1600.9301.55
Mortice cabinet lock KH polished chrome	W2100.9301.55
Mortice cabinet lock KH satin chrome	W2300.9301.55
Mortice cabinet lock KH matt black	W3000.9301.55

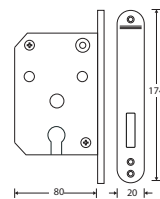


W1100.9301.55



NEMEF MORTICE CABINET LOCK PZ

DESCRIPTION	NUMBER
Mortice cabinet lock PZ brass lacquered	W0100.9302.57
Mortice cabinet lock PZ brass unlacquered	W0200.9302.57
Mortice cabinet lock PZ brass antique	W0500.9302.57
Mortice cabinet lock PZ polished nickel	W1100.9302.57
Mortice cabinet lock PZ satin nickel unlacquered	W1300.9302.57
Mortice cabinet lock PZ antique nickel unlacquered	W1600.9302.57
Mortice cabinet lock PZ polished chrome	W2100.9302.57
Mortice cabinet lock PZ satin chrome	W2300.9302.57
Mortice cabinet lock PZ matt black	W3000.9302.57

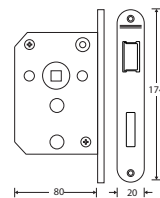


W1100.9302.57



NEMEF MORTICE TOILET LOCK 63-8MM

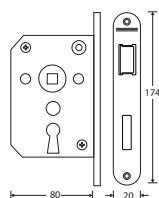
DESCRIPTION	NUMBER
Mortice toilet lock 63-8mm brass lacquered	W0100.9303.67
Mortice toilet lock 63-8mm brass unlacquered	W0200.9303.67
Mortice toilet lock 63-8mm brass antique	W0500.9303.67
Mortice toilet lock 63-8mm polished nickel	W1100.9303.67
Mortice toilet lock 63-8mm satin nickel unlacquered	W1300.9303.67
Mortice toilet lock 63-8mm antique nickel unlacquered	W1600.9303.67
Mortice toilet lock 63-8mm polished chrome	W2100.9303.67
Mortice toilet lock 63-8mm satin chrome	W2300.9303.67
Mortice toilet lock 63-8mm matt black	W3000.9303.67



W1100.9303.67



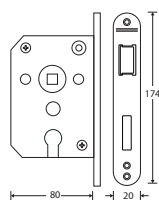
W1100.9304.55



NEMEF MORTICE SASH LOCK KH56

DESCRIPTION	NUMBER
Mortice sash lock KH56 brass lacquered	W0100.9304.55
Mortice sash lock KH56 brass unlacquered	W0200.9304.55
Mortice sash lock KH56 brass antique	W0500.9304.55
Mortice sash lock KH56 polished nickel	W1100.9304.55
Mortice sash lock KH56 satin nickel unlacquered	W1300.9304.55
Mortice sash lock KH56 antique nickel unlacquered	W1600.9304.55
Mortice sash lock KH56 polished chrome	W2100.9304.55
Mortice sash lock KH56 satin chrome	W2300.9304.55
Mortice sash lock KH56 matt black	W3000.9304.55

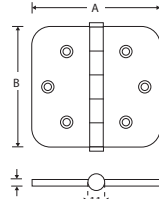
W1100.9305.57



NEMEF MORTICE SASH LOCK PZ55

DESCRIPTION	NUMBER
Mortice sash lock PZ55 brass lacquered	W0100.9305.57
Mortice sash lock PZ55 brass unlacquered	W0200.9305.57
Mortice sash lock PZ55 brass antique	W0500.9305.57
Mortice sash lock PZ55 polished nickel	W1100.9305.57
Mortice sash lock PZ55 satin nickel unlacquered	W1300.9305.57
Mortice sash lock PZ55 antique nickel unlacquered	W1600.9305.57
Mortice sash lock PZ55 polished chrome	W2100.9305.57
Mortice sash lock PZ55 satin chrome	W2300.9305.57
Mortice sash lock PZ55 matt black	W3000.9305.57

W1100.4500.90



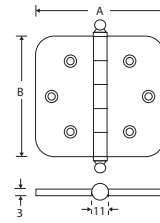
BALL BEARING HINGE ROUND CORNER FLAT

DESCRIPTION	A	B	NUMBER
Ball bearing hinge round corner flat brass lacquered	76 mm	76 mm	W0100.4500.90
Ball bearing hinge round corner flat brass lacquered	89 mm	89 mm	W0100.4501.90
Ball bearing hinge round corner flat brass unlacquered	76 mm	76 mm	W0200.4500.90
Ball bearing hinge round corner flat brass unlacquered	89 mm	89 mm	W0200.4501.90
Ball bearing hinge round corner flat brass antique	76 mm	76 mm	W0500.4500.90
Ball bearing hinge round corner flat brass antique	89 mm	89 mm	W0500.4501.90
Ball bearing hinge round corner flat polished nickel	76 mm	76 mm	W1100.4500.90
Ball bearing hinge round corner flat polished nickel	89 mm	89 mm	W1100.4501.90
Ball bearing hinge round corner flat satin nickel unlacquered	76 mm	76 mm	W1300.4500.90
Ball bearing hinge round corner flat satin nickel unlacquered	89 mm	89 mm	W1300.4501.90
Ball bearing hinge round corner flat polished chrome	76 mm	76 mm	W2100.4500.90
Ball bearing hinge round corner flat polished chrome	89 mm	89 mm	W2100.4501.90
Ball bearing hinge round corner flat satin chrome	76 mm	76 mm	W2300.4500.90
Ball bearing hinge round corner flat satin chrome	89 mm	89 mm	W2300.4501.90
Ball bearing hinge round corner flat matt black	76 mm	76 mm	W3000.4500.90
Ball bearing hinge round corner flat matt black	89 mm	89 mm	W3000.4501.90

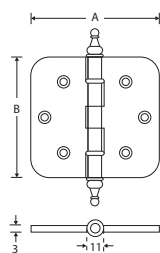
BALL BEARING HINGE ROUND CORNER BALL

DESCRIPTION	A	B	NUMBER
Ball bearing hinge round corner ball brass lacquered	76 mm	76 mm	W0100.4503.90
Ball bearing hinge round corner ball brass lacquered	89 mm	89 mm	W0100.4504.90
Ball bearing hinge round corner ball brass unlacquered	76 mm	76 mm	W0200.4503.90
Ball bearing hinge round corner ball brass unlacquered	89 mm	89 mm	W0200.4504.90
Ball bearing hinge round corner ball brass antique	76 mm	76 mm	W0500.4503.90
Ball bearing hinge round corner ball brass antique	89 mm	89 mm	W0500.4504.90
Ball bearing hinge round corner ball polished nickel	76 mm	76 mm	W1100.4503.90
Ball bearing hinge round corner ball polished nickel	89 mm	89 mm	W1100.4504.90
Ball bearing hinge round corner ball satin nickel unlacquered	76 mm	76 mm	W1300.4503.90
Ball bearing hinge round corner ball satin nickel unlacquered	89 mm	89 mm	W1300.4504.90
Ball bearing hinge round corner ball polished chrome	76 mm	76 mm	W2100.4503.90
Ball bearing hinge round corner ball polished chrome	89 mm	89 mm	W2100.4504.90
Ball bearing hinge round corner ball satin chrome	76 mm	76 mm	W2300.4503.90
Ball bearing hinge round corner ball satin chrome	89 mm	89 mm	W2300.4504.90
Ball bearing hinge round corner ball matt black	76 mm	76 mm	W3000.4503.90
Ball bearing hinge round corner ball matt black	89 mm	89 mm	W3000.4504.90

W1100.4503.90



W1100.4506.90



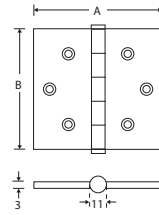
BALL BEARING HINGE ROUND CORNER CROWN

DESCRIPTION	A	B	NUMBER
Ball bearing hinge round corner crown brass lacquered	76 mm	76 mm	W0100.4506.90
Ball bearing hinge round corner crown brass lacquered	89 mm	89 mm	W0100.4507.90
Ball bearing hinge round corner crown brass unlacquered	76 mm	76 mm	W0200.4506.90
Ball bearing hinge round corner crown brass unlacquered	89 mm	89 mm	W0200.4507.90
Ball bearing hinge round corner crown brass antique	76 mm	76 mm	W0500.4506.90
Ball bearing hinge round corner crown brass antique	89 mm	89 mm	W0500.4507.90
Ball bearing hinge round corner crown polished nickel	76 mm	76 mm	W1100.4506.90
Ball bearing hinge round corner crown polished nickel	89 mm	89 mm	W1100.4507.90
Ball bearing hinge round corner crown satin nickel unlacquered	76 mm	76 mm	W1300.4506.90
Ball bearing hinge round corner crown satin nickel unlacquered	89 mm	89 mm	W1300.4507.90
Ball bearing hinge round corner crown polished chrome	76 mm	76 mm	W2100.4506.90
Ball bearing hinge round corner crown polished chrome	89 mm	89 mm	W2100.4507.90
Ball bearing hinge round corner crown satin chrome	76 mm	76 mm	W2300.4506.90
Ball bearing hinge round corner crown satin chrome	89 mm	89 mm	W2300.4507.90
Ball bearing hinge round corner crown matt black	76 mm	76 mm	W3000.4506.90
Ball bearing hinge round corner crown matt black	89 mm	89 mm	W3000.4507.90

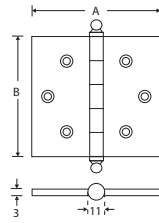
BALL BEARING HINGE STRAIGHT CORNER FLAT

DESCRIPTION	A	B	NUMBER
Ball bearing hinge straight corner flat brass lacquered	76 mm	76 mm	W0100.4561.90
Ball bearing hinge straight corner flat brass lacquered	89 mm	89 mm	W0100.4562.90
Ball bearing hinge straight corner flat brass unlacquered	76 mm	76 mm	W0200.4561.90
Ball bearing hinge straight corner flat brass unlacquered	89 mm	89 mm	W0200.4562.90
Ball bearing hinge straight corner flat brass antique	76 mm	76 mm	W0500.4561.90
Ball bearing hinge straight corner flat brass antique	89 mm	89 mm	W0500.4562.90
Ball bearing hinge straight corner flat polished nickel	76 mm	76 mm	W1100.4561.90
Ball bearing hinge straight corner flat polished nickel	89 mm	89 mm	W1100.4562.90
Ball bearing hinge straight corner flat satin nickel unlacquered	76 mm	76 mm	W1300.4561.90
Ball bearing hinge straight corner flat satin nickel unlacquered	89 mm	89 mm	W1300.4562.90
Ball bearing hinge straight corner flat polished chrome	76 mm	76 mm	W2100.4561.90
Ball bearing hinge straight corner flat polished chrome	89 mm	89 mm	W2100.4562.90
Ball bearing hinge straight corner flat satin chrome	76 mm	76 mm	W2300.4561.90
Ball bearing hinge straight corner flat satin chrome	89 mm	89 mm	W2300.4562.90
Ball bearing hinge straight corner flat matt black	76 mm	76 mm	W3000.4561.90
Ball bearing hinge straight corner flat matt black	89 mm	89 mm	W3000.4562.90

W1100.4561.90



W1100.4563.90



BALL BEARING HINGE STRAIGHT CORNER BALL

DESCRIPTION	A	B	NUMBER
Ball bearing hinge straight corner ball brass lacquered	76 mm	76 mm	W0100.4563.90
Ball bearing hinge straight corner ball brass lacquered	89 mm	89 mm	W0100.4564.90
Ball bearing hinge straight corner ball brass unlacquered	76 mm	76 mm	W0200.4563.90
Ball bearing hinge straight corner ball brass unlacquered	89 mm	89 mm	W0200.4564.90
Ball bearing hinge straight corner ball brass antique	76 mm	76 mm	W0500.4563.90
Ball bearing hinge straight corner ball brass antique	89 mm	89 mm	W0500.4564.90
Ball bearing hinge straight corner ball polished nickel	76 mm	76 mm	W1100.4563.90
Ball bearing hinge straight corner ball polished nickel	89 mm	89 mm	W1100.4564.90
Ball bearing hinge straight corner ball satin nickel unlacquered	76 mm	76 mm	W1300.4563.90
Ball bearing hinge straight corner ball satin nickel unlacquered	89 mm	89 mm	W1300.4564.90
Ball bearing hinge straight corner ball polished chrome	76 mm	76 mm	W2100.4563.90
Ball bearing hinge straight corner ball polished chrome	89 mm	89 mm	W2100.4564.90
Ball bearing hinge straight corner ball satin chrome	76 mm	76 mm	W2300.4563.90
Ball bearing hinge straight corner ball satin chrome	89 mm	89 mm	W2300.4564.90
Ball bearing hinge straight corner ball matt black	76 mm	76 mm	W3000.4563.90
Ball bearing hinge straight corner ball matt black	89 mm	89 mm	W3000.4564.90

BALL BEARING HINGE STRAIGHT CORNER CROWN

DESCRIPTION	A	B	NUMBER
Ball bearing hinge straight corner crown brass lacquered	76 mm	76 mm	W0100.4565.90
Ball bearing hinge straight corner crown brass lacquered	89 mm	89 mm	W0100.4566.90
Ball bearing hinge straight corner crown brass unlacquered	76 mm	76 mm	W0200.4565.90
Ball bearing hinge straight corner crown brass unlacquered	89 mm	89 mm	W0200.4566.90
Ball bearing hinge straight corner crown brass antique	76 mm	76 mm	W0500.4565.90
Ball bearing hinge straight corner crown brass antique	89 mm	89 mm	W0500.4566.90
Ball bearing hinge straight corner crown polished nickel	76 mm	76 mm	W1100.4565.90
Ball bearing hinge straight corner crown polished nickel	89 mm	89 mm	W1100.4566.90
Ball bearing hinge straight corner crown satin nickel unlacquered	76 mm	76 mm	W1300.4565.90
Ball bearing hinge straight corner crown satin nickel unlacquered	89 mm	89 mm	W1300.4566.90
Ball bearing hinge straight corner crown polished chrome	76 mm	76 mm	W2100.4565.90
Ball bearing hinge straight corner crown polished chrome	89 mm	89 mm	W2100.4566.90
Ball bearing hinge straight corner crown satin chrome	76 mm	76 mm	W2300.4565.90
Ball bearing hinge straight corner crown satin chrome	89 mm	89 mm	W2300.4566.90
Ball bearing hinge straight corner crown matt black	76 mm	76 mm	W3000.4565.90
Ball bearing hinge straight corner crown matt black	89 mm	89 mm	W3000.4566.90

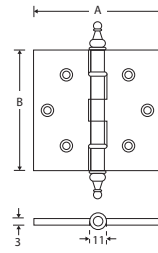
GLASS DOOR 8-12MM LATCH LOCK

DESCRIPTION	NUMBER
Glass door 8-12mm latch lock polished chrome	W2100.9306.90

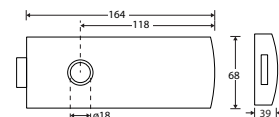
GLASS DOOR 8-12MM CYLINDER LOCK

DESCRIPTION	NUMBER
Glass door 8-12mm cylinder lock polished chrome	W2100.9307.90

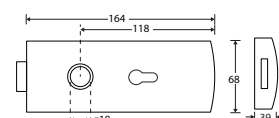
W1100.4565.90



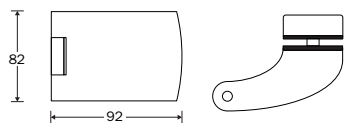
W2100.9306.90



W2100.9307.90



W2100.4508.90



GLASS DOOR 8-12MM HINGE

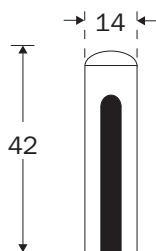
DESCRIPTION

NUMBER

Glass door 8-12mm hinge polished chrome

W2100.4508.90

W1150.4509.90



KNUCKLE HINGE CAP BLUNT 2 PIECES

DESCRIPTION

NUMBER

knuckle hinge cap blunt 2 pieces brass lacquered

W0150.4509.90

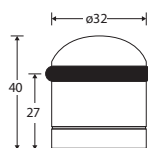
knuckle hinge cap blunt 2 pieces polished nickel

W1150.4509.90

knuckle hinge cap blunt 2 pieces satin chrome

W2350.4509.90

W1100.4545.90



CYLINDER DOOR STOP

DESCRIPTION

NUMBER

Door stop brass lacquered

W0100.4545.90

Door stop brass unlacquered

W0200.4545.90

Door stop polished nickel

W1100.4545.90

Door stop satin nickel unlacquered

W1300.4545.90

Door stop polished chrome

W2100.4545.90

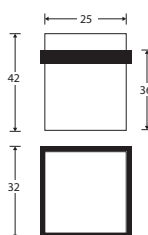
Door stop satin chrome

W2300.4545.90

Door stop matt black

W3000.4545.90

W1100.4558.90



SQUARE DOOR STOP

DESCRIPTION

NUMBER

Door stop brass lacquered

W0100.4558.90

Door stop brass unlacquered

W0200.4558.90

Door stop polished nickel

W1100.4558.90

Door stop satin nickel unlacquered

W1300.4558.90

Door stop polished chrome

W2100.4558.90

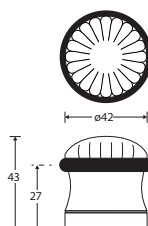
Door stop satin chrome

W2300.4558.90

Door stop matt black

W3000.4558.90

W1100.4559.90



NOUVEAU DOOR STOP

DESCRIPTION

NUMBER

Door stop brass lacquered

W0100.4559.90

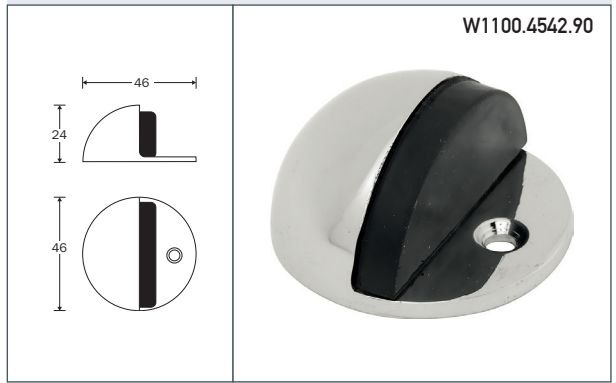
Door stop polished nickel

W1100.4559.90

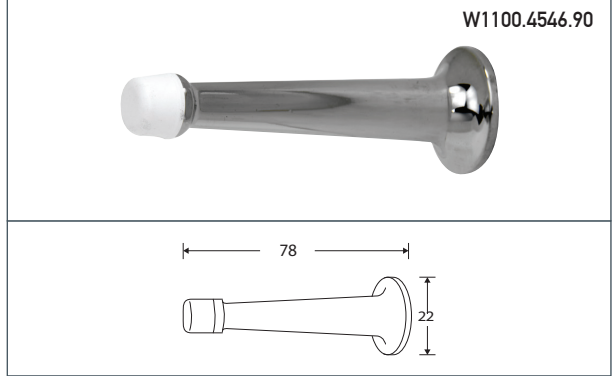
Door stop antique nickel unlacquered

W1600.4559.90

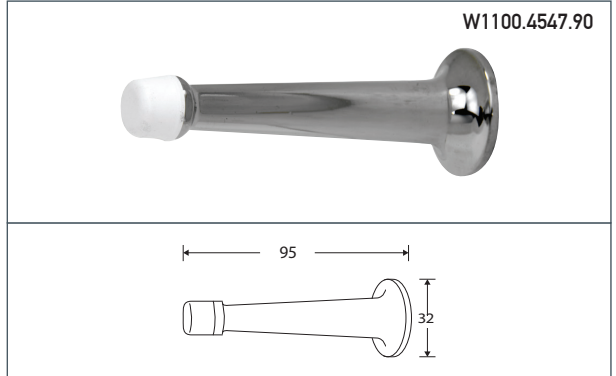
HALFROUND DOOR STOP	
DESCRIPTION	NUMBER
Door stop brass lacquered	W0100.4542.90
Door stop polished nickel	W1100.4542.90
Door stop satin nickel lacquered	W1200.4542.90
Door stop polished chrome	W2100.4542.90
Door stop satin chrome	W2300.4542.90



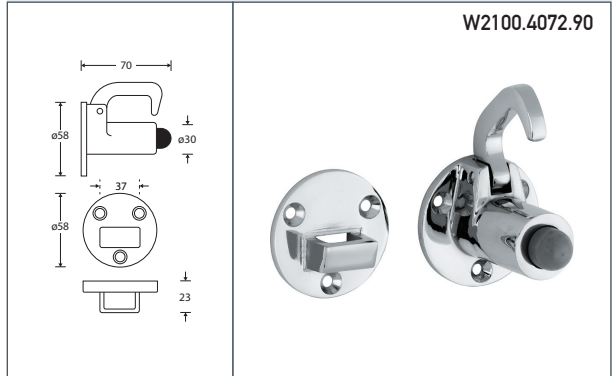
DOOR STOP	
DESCRIPTION	NUMBER
Door stop brass lacquered	W0100.4546.90
Door stop polished nickel	W1100.4546.90
Door stop satin nickel lacquered	W1200.4546.90



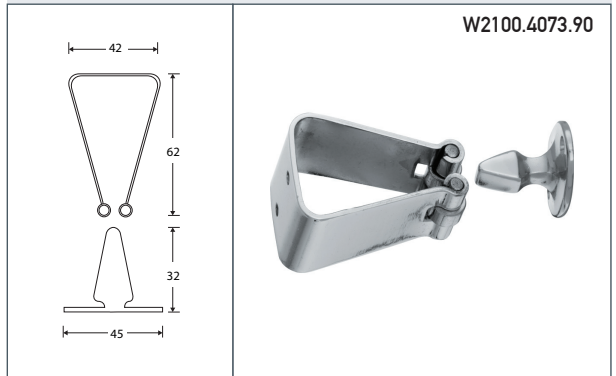
DOOR STOP	
DESCRIPTION	NUMBER
Door stop brass lacquered	W0100.4547.90
Door stop polished nickel	W1100.4547.90
Door stop satin nickel lacquered	W1200.4547.90



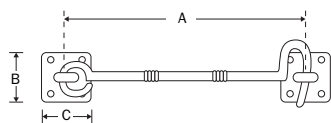
ELEGANT DOOR HOLDER	
DESCRIPTION	NUMBER
Door holder brass unlacquered	W0200.4072.90
Door holder polished brass PVD	W0300.4072.90
Door holder polished chrome	W2100.4072.90
Door holder matt black	W3000.4072.90



VEGA DOOR HOLDER	
DESCRIPTION	NUMBER
Door holder brass lacquered	W0100.4073.90
Door holder polished chrome	W2100.4073.90



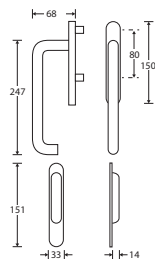
W1100.5615.90



CABIN HOOK

DESCRIPTION	A	B	C	NUMBER
Cabin hook brass unlacquered	50 mm	23 mm	23 mm	W0200.5615.90
Cabin hook brass unlacquered	60 mm	23 mm	23 mm	W0200.5616.90
Cabin hook brass unlacquered	75 mm	23 mm	23 mm	W0200.5617.90
Cabin hook brass unlacquered	100 mm	23 mm	23 mm	W0200.5618.90
Cabin hook brass unlacquered	125 mm	23 mm	23 mm	W0200.5619.90
Cabin hook brass unlacquered	150 mm	32 mm	32 mm	W0200.5620.90
Cabin hook brass unlacquered	200 mm	35 mm	35 mm	W0200.5621.90
Cabin hook brass unlacquered	250 mm	35 mm	35 mm	W0200.5622.90
Cabin hook polished nickel	50 mm	23 mm	23 mm	W1100.5615.90
Cabin hook polished nickel	60 mm	23 mm	23 mm	W1100.5616.90
Cabin hook polished nickel	75 mm	23 mm	23 mm	W1100.5617.90
Cabin hook polished nickel	100 mm	23 mm	23 mm	W1100.5618.90
Cabin hook polished nickel	125 mm	23 mm	23 mm	W1100.5619.90
Cabin hook polished nickel	150 mm	32 mm	32 mm	W1100.5620.90
Cabin hook polished nickel	200 mm	35 mm	35 mm	W1100.5621.90
Cabin hook polished nickel	250 mm	35 mm	35 mm	W1100.5622.90

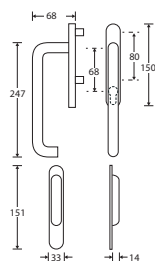
W1100.4300.90



ELEGANT SLIDING DOOR SIPHON BLIND

DESCRIPTION	NUMBER
Sliding door siphon Blind brass lacquered	W0100.4300.90
Sliding door siphon Blind brass unlacquered	W0200.4300.90
Sliding door siphon Blind brass antique	W0500.4300.90
Sliding door siphon Blind polished nickel	W1100.4300.90
Sliding door siphon Blind satin nickel unlacquered	W1300.4300.90
Sliding door siphon Blind antique nickel unlacquered	W1600.4300.90
Sliding door siphon Blind polished chrome	W2100.4300.90
Sliding door siphon Blind satin chrome	W2300.4300.90
Sliding door siphon Blind matt black	W3000.4300.90

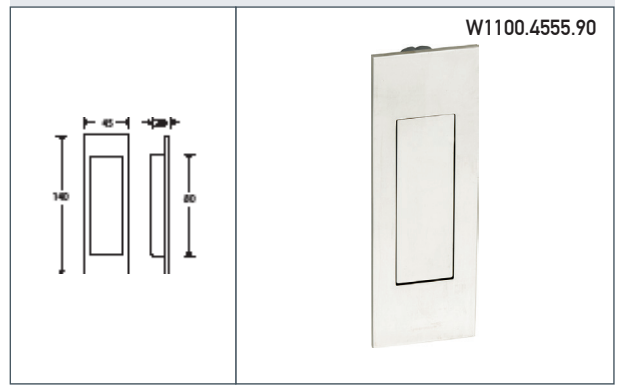
W1100.4301.90



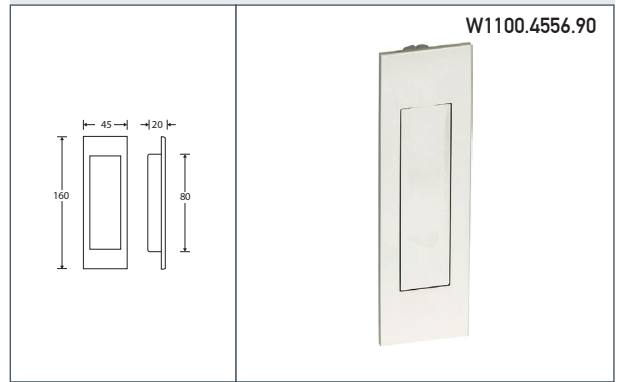
ELEGANT SLIDING DOOR SIPHON PC68

DESCRIPTION	NUMBER
Sliding door siphon PZ68 brass lacquered	W0100.4301.90
Sliding door siphon PZ68 brass unlacquered	W0200.4301.90
Sliding door siphon PZ68 brass antique	W0500.4301.90
Sliding door siphon PZ68 polished nickel	W1100.4301.90
Sliding door siphon PZ68 satin nickel unlacquered	W1300.4301.90
Sliding door siphon PZ68 antique nickel unlacquered	W1600.4301.90
Sliding door siphon PZ68 polished chrome	W2100.4301.90
Sliding door siphon PZ68 satin chrome	W2300.4301.90
Sliding door siphon PZ68 matt black	W3000.4301.90

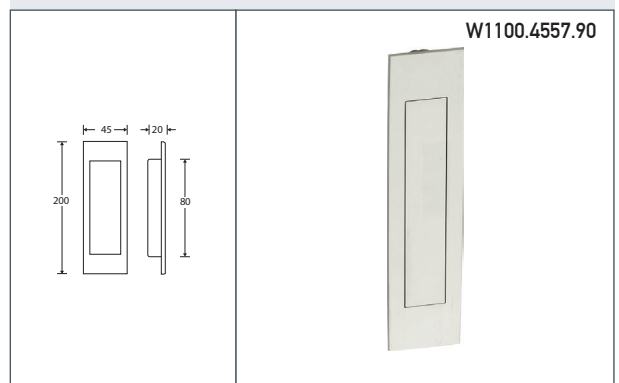
FLUSH HANDLE RECTANGULAR TOUCH-INN	
DESCRIPTION	NUMBER
Flush handle rectangular touch-inn polished nickel	W1100.4555.90
Flush handle rectangular touch-inn satin nickel lacquered	W1200.4555.90



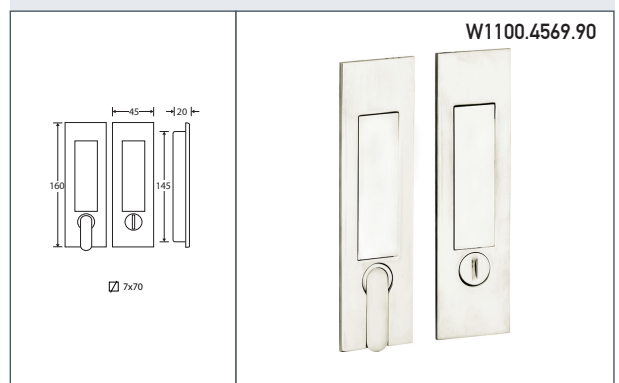
FLUSH HANDLE RECTANGULAR TOUCH-INN	
DESCRIPTION	NUMBER
Flush handle rectangular touch-inn polished nickel	W1100.4556.90
Flush handle rectangular touch-inn satin nickel lacquered	W1200.4556.90



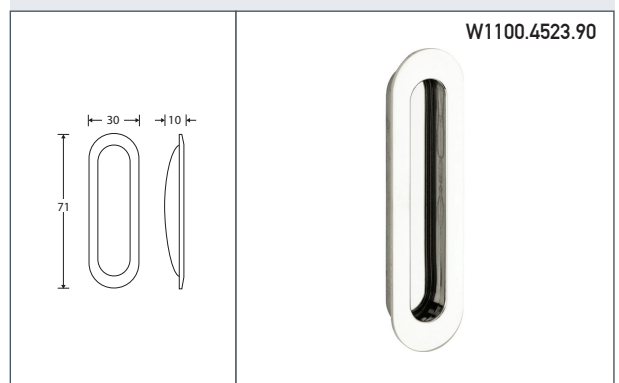
FLUSH HANDLE RECTANGULAR TOUCH-INN	
DESCRIPTION	NUMBER
Flush handle rectangular touch-inn polished nickel	W1100.4557.90
Flush handle rectangular touch-inn satin nickel lacquered	W1200.4557.90

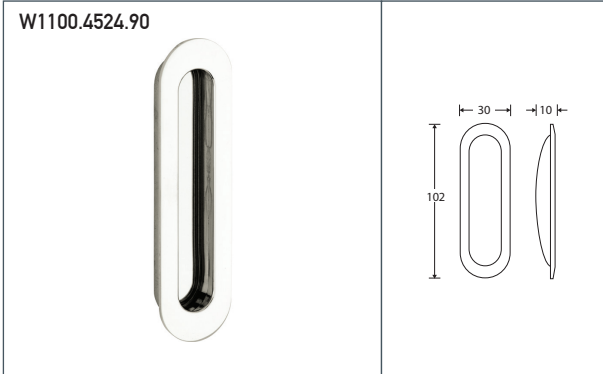


FLUSH HANDLE RECTANGULAR TOUCH-INN BATHROOM	
DESCRIPTION	NUMBER
Flush handle rectangular touch-inn bathroom polished nickel	W1100.4569.90
Flush handle rectangular touch-inn bathroom satin nickel lacquered	W1200.4569.90

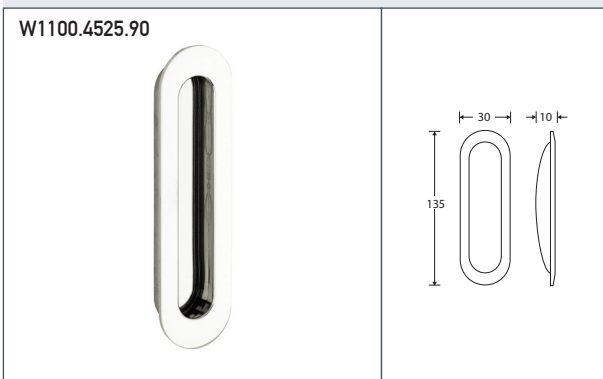


REGINA FLUSH HANDLE	
DESCRIPTION	NUMBER
Flush handle brass lacquered	W0100.4523.90
Flush handle polished nickel	W1100.4523.90
Flush handle satin nickel lacquered	W1200.4523.90
Flush handle polished chrome	W2100.4523.90
Flush handle satin chrome	W2300.4523.90

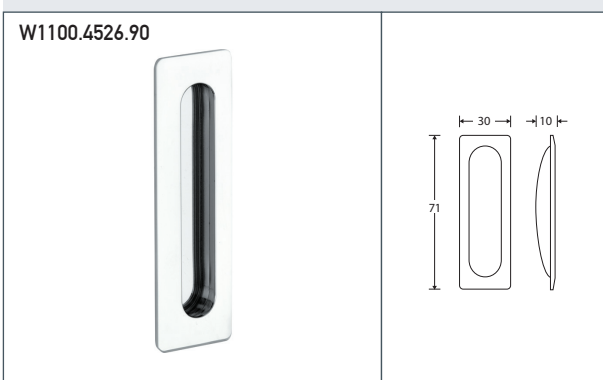




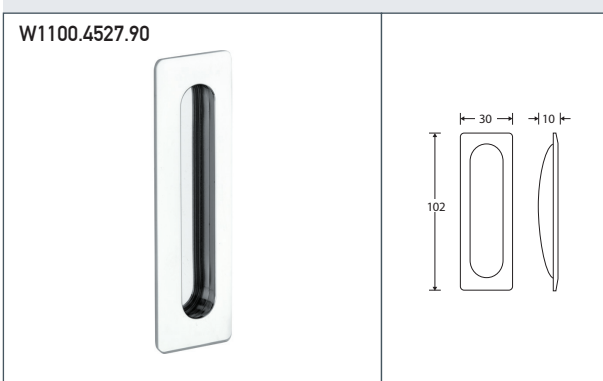
REGINA FLUSH HANDLE	
DESCRIPTION	NUMBER
Flush handle brass lacquered	W0100.4524.90
Flush handle polished nickel	W1100.4524.90
Flush handle satin nickel lacquered	W1200.4524.90
Flush handle polished chrome	W2100.4524.90
Flush handle satin chrome	W2300.4524.90



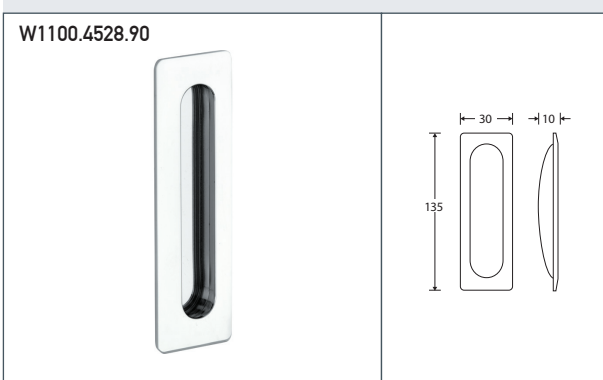
REGINA FLUSH HANDLE	
DESCRIPTION	NUMBER
Flush handle brass lacquered	W0100.4525.90
Flush handle polished nickel	W1100.4525.90
Flush handle satin nickel lacquered	W1200.4525.90
Flush handle polished chrome	W2100.4525.90
Flush handle satin chrome	W2300.4525.90



RENATE FLUSH HANDLE	
DESCRIPTION	NUMBER
Flush handle polished nickel	W1100.4526.90
Flush handle satin nickel lacquered	W1200.4526.90



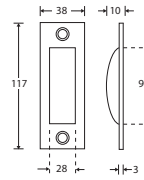
RENATE FLUSH HANDLE	
DESCRIPTION	NUMBER
Flush handle polished nickel	W1100.4527.90
Flush handle satin nickel lacquered	W1200.4527.90



RENATE FLUSH HANDLE	
DESCRIPTION	NUMBER
Flush handle polished nickel	W1100.4528.90
Flush handle satin nickel lacquered	W1200.4528.90

ELEGANT FLUSH HANDLE

DESCRIPTION	NUMBER
Flush handle brass lacquered	W0100.4520.90
Flush handle brass unlacquered	W0200.4520.90
Flush handle brass antique	W0500.4520.90
Flush handle polished nickel	W1100.4520.90
Flush handle satin nickel unlacquered	W1300.4520.90
Flush handle antique nickel unlacquered	W1600.4520.90
Flush handle polished chrome	W2100.4520.90
Flush handle satin chrome	W2300.4520.90
Flush handle matt black	W3000.4520.90

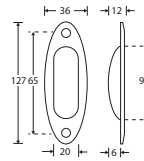


W1100.4520.90



ELLIPSE FLUSH HANDLE

DESCRIPTION	NUMBER
Flush handle brass lacquered	W0100.4521.90
Flush handle polished nickel	W1100.4521.90
Flush handle satin nickel unlacquered	W1300.4521.90

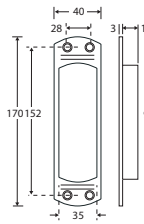


W1100.4521.90



ART-DECO FLUSH HANDLE

DESCRIPTION	NUMBER
Flush handle brass lacquered	W0100.4567.90
Flush handle polished nickel	W1100.4567.90
Flush handle satin nickel unlacquered	W1300.4567.90
Flush handle polished chrome	W2100.4567.90

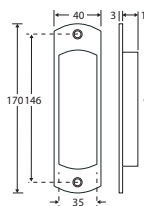


W1100.4567.90



DUAL FLUSH HANDLE

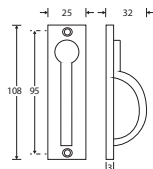
DESCRIPTION	NUMBER
Flush handle polished nickel	W1100.4568.90
Flush handle satin nickel unlacquered	W1300.4568.90



W1100.4568.90



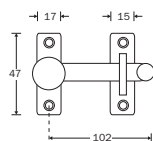
W1100.4535.90



ELEGANT SLIDING DOOR PULL RING

DESCRIPTION	NUMBER
Sliding door pull ring brass lacquered	W0100.4535.90
Sliding door pull ring brass unlacquered	W0200.4535.90
Sliding door pull ring polished nickel	W1100.4535.90
Sliding door pull ring satin nickel unlacquered	W1300.4535.90
Sliding door pull ring polished chrome	W2100.4535.90
Sliding door pull ring satin chrome	W2300.4535.90

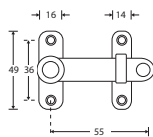
W1100.4517.90



ELEGANT SLIDING DOOR THROWOVER CATCH

DESCRIPTION	NUMBER
Sliding door throwover catch brass lacquered	W0100.4517.90
Sliding door throwover catch brass unlacquered	W0200.4517.90
Sliding door throwover catch polished nickel	W1100.4517.90
Sliding door throwover catch satin nickel unlacquered	W1300.4517.90
Sliding door throwover catch polished chrome	W2100.4517.90
Sliding door throwover catch matt black	W3000.4517.90

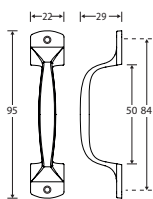
W1100.4518.90



SASH FASTENER SMALL

DESCRIPTION	NUMBER
Sash fastener small brass unlacquered	W0200.4518.90
Sash fastener small polished nickel	W1100.4518.90
Sash fastener small matt black	W3000.4518.90

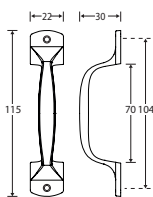
W1100.4324.90



ELEGANT PULL HANDLE

DESCRIPTION	NUMBER
Pull handle brass lacquered	W0100.4324.90
Pull handle brass unlacquered	W0200.4324.90
Pull handle polished nickel	W1100.4324.90
Pull handle satin nickel unlacquered	W1300.4324.90
Pull handle polished chrome	W2100.4324.90
Pull handle satin chrome	W2300.4324.90
Pull handle matt black	W3000.4324.90

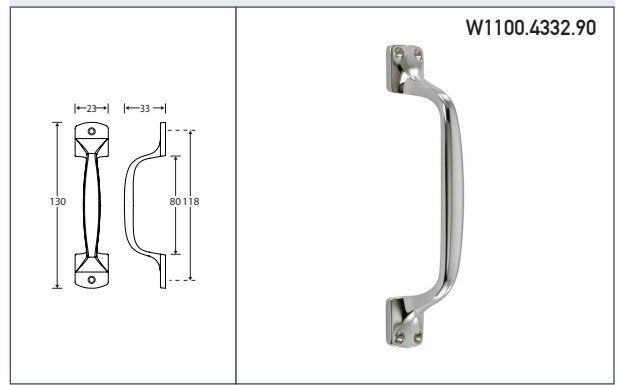
W1100.4328.90



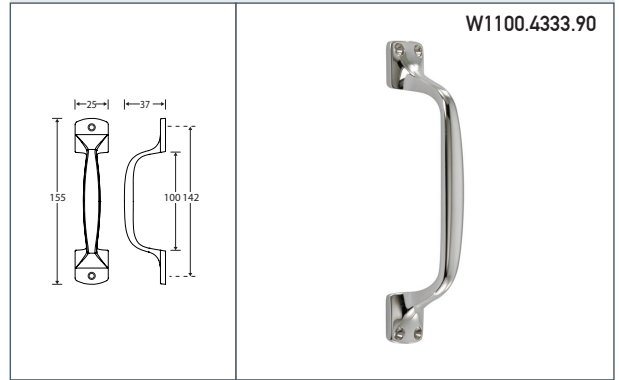
ELEGANT PULL HANDLE

DESCRIPTION	NUMBER
Pull handle brass lacquered	W0100.4328.90
Pull handle brass unlacquered	W0200.4328.90
Pull handle polished nickel	W1100.4328.90
Pull handle satin nickel unlacquered	W1300.4328.90
Pull handle polished chrome	W2100.4328.90
Pull handle satin chrome	W2300.4328.90
Pull handle matt black	W3000.4328.90

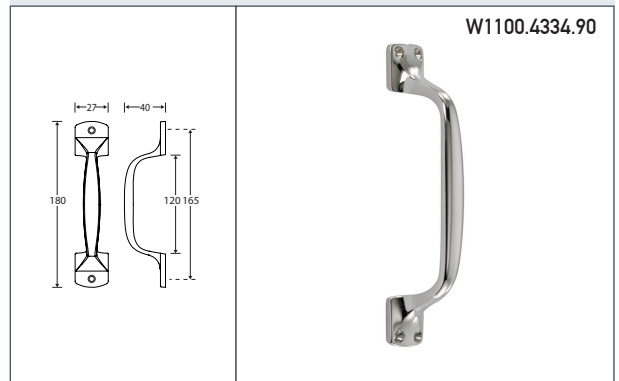
ELEGANT PULL HANDLE	
DESCRIPTION	NUMBER
Pull handle brass lacquered	W0100.4332.90
Pull handle brass unlacquered	W0200.4332.90
Pull handle polished nickel	W1100.4332.90
Pull handle satin nickel unlacquered	W1300.4332.90
Pull handle polished chrome	W2100.4332.90
Pull handle satin chrome	W2300.4332.90
Pull handle matt black	W3000.4332.90



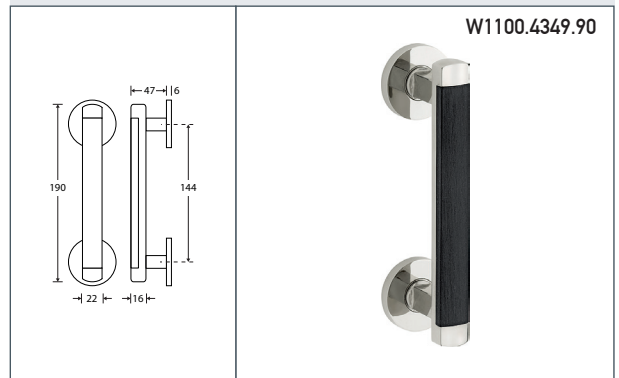
ELEGANT PULL HANDLE	
DESCRIPTION	NUMBER
Pull handle brass lacquered	W0100.4333.90
Pull handle brass unlacquered	W0200.4333.90
Pull handle polished nickel	W1100.4333.90
Pull handle satin nickel unlacquered	W1300.4333.90
Pull handle polished chrome	W2100.4333.90
Pull handle satin chrome	W2300.4333.90
Pull handle matt black	W3000.4333.90



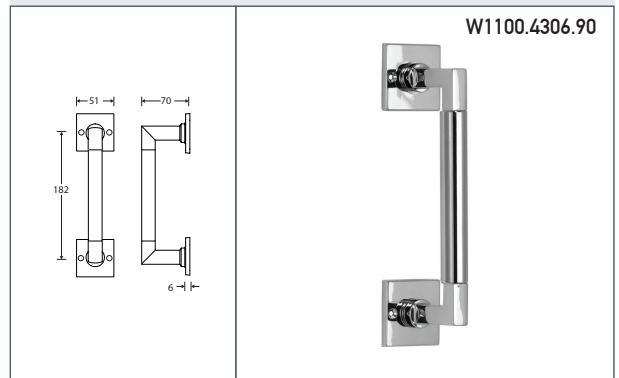
ELEGANT PULL HANDLE	
DESCRIPTION	NUMBER
Pull handle brass lacquered	W0100.4334.90
Pull handle brass unlacquered	W0200.4334.90
Pull handle polished nickel	W1100.4334.90
Pull handle satin nickel unlacquered	W1300.4334.90
Pull handle polished chrome	W2100.4334.90
Pull handle satin chrome	W2300.4334.90
Pull handle matt black	W3000.4334.90



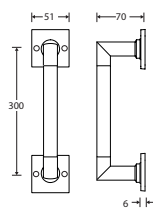
DUAL PULL HANDLE	
DESCRIPTION	NUMBER
Pull handle polished nickel ebony	W1100.4349.90
Pull handle satin nickel unlacquered ebony	W1300.4349.90



BAUHAUS-STYLE PULL HANDLE ON SQUARE ROSETTE	
DESCRIPTION	NUMBER
Pull handle on square rosette brass unlacquered	W0200.4306.90
Pull handle on square rosette brass antique	W0500.4306.90
Pull handle on square rosette polished nickel	W1100.4306.90
Pull handle on square rosette satin nickel unlacquered	W1300.4306.90
Pull handle on square rosette polished chrome	W2100.4306.90
Pull handle on square rosette matt black	W3000.4306.90



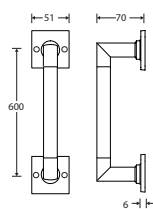
W1100.4307.90



BAUHAUS-STYLE PULL HANDLE ON SQUARE ROSETTE

DESCRIPTION	NUMBER
Pull handle on square rosette brass unlacquered	W0200.4307.90
Pull handle on square rosette brass antique	W0500.4307.90
Pull handle on square rosette polished nickel	W1100.4307.90
Pull handle on square rosette satin nickel unlacquered	W1300.4307.90
Pull handle on square rosette polished chrome	W2100.4307.90
Pull handle on square rosette matt black	W3000.4307.90

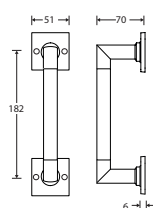
W1100.4308.90



BAUHAUS-STYLE PULL HANDLE ON SQUARE ROSETTE

DESCRIPTION	NUMBER
Pull handle on square rosette brass unlacquered	W0200.4308.90
Pull handle on square rosette brass antique	W0500.4308.90
Pull handle on square rosette polished nickel	W1100.4308.90
Pull handle on square rosette satin nickel unlacquered	W1300.4308.90
Pull handle on square rosette polished chrome	W2100.4308.90
Pull handle on square rosette matt black	W3000.4308.90

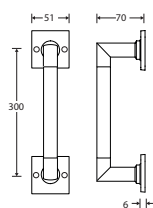
W1100.4309.90



BAUHAUS-STYLE PULL HANDLE ON SQUARE ROSETTE

DESCRIPTION	NUMBER
Pull handle on square rosette brass unlacquered ebony	W0200.4309.90
Pull handle on square rosette brass antique ebony	W0500.4309.90
Pull handle on square rosette polished nickel ebony	W1100.4309.90
Pull handle on square rosette satin nickel unlacquered ebony	W1300.4309.90
Pull handle on square rosette polished chrome ebony	W2100.4309.90

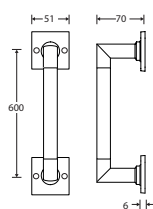
W1100.4310.90



BAUHAUS-STYLE PULL HANDLE ON SQUARE ROSETTE

DESCRIPTION	NUMBER
Pull handle on square rosette brass unlacquered ebony	W0200.4310.90
Pull handle on square rosette brass antique ebony	W0500.4310.90
Pull handle on square rosette polished nickel ebony	W1100.4310.90
Pull handle on square rosette satin nickel unlacquered ebony	W1300.4310.90
Pull handle on square rosette polished chrome ebony	W2100.4310.90

W1100.4311.90

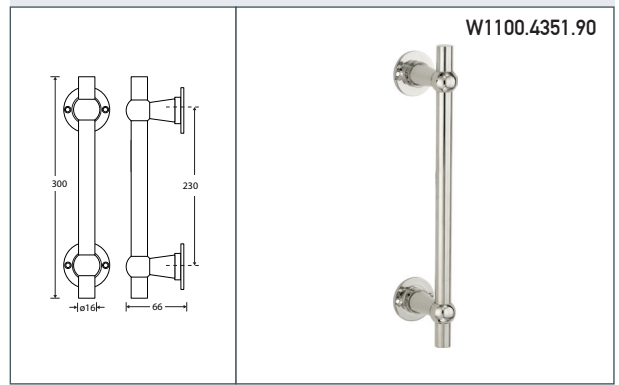


BAUHAUS-STYLE PULL HANDLE ON SQUARE ROSETTE

DESCRIPTION	NUMBER
Pull handle on square rosette brass unlacquered ebony	W0200.4311.90
Pull handle on square rosette brass antique ebony	W0500.4311.90
Pull handle on square rosette polished nickel ebony	W1100.4311.90
Pull handle on square rosette satin nickel unlacquered ebony	W1300.4311.90
Pull handle on square rosette polished chrome ebony	W2100.4311.90

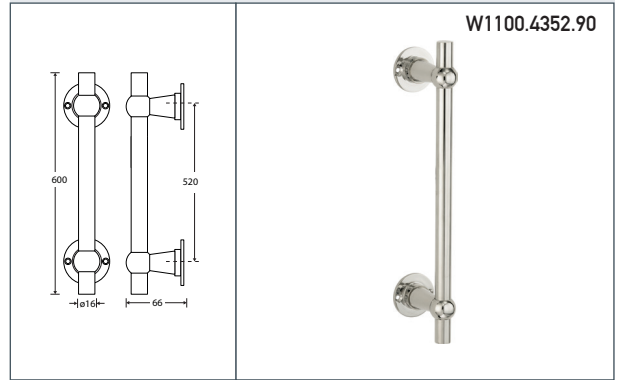
CHEMIN DE FER PULL HANDLE

DESCRIPTION	NUMBER
Pull handle brass unlacquered	W0200.4351.90
Pull handle brass antique	W0500.4351.90
Pull handle polished nickel	W1100.4351.90
Pull handle satin nickel unlacquered	W1300.4351.90
Pull handle matt black	W3000.4351.90



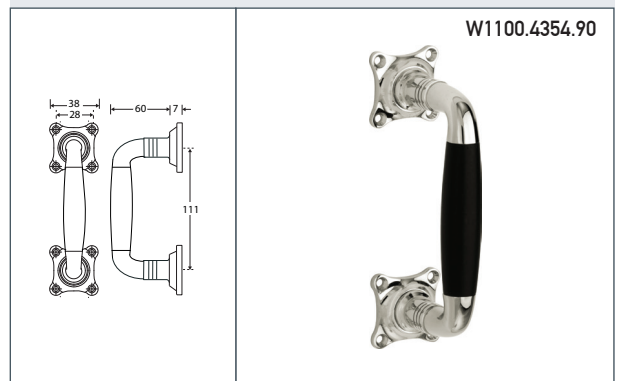
CHEMIN DE FER PULL HANDLE

DESCRIPTION	NUMBER
Pull handle brass unlacquered	W0200.4352.90
Pull handle brass antique	W0500.4352.90
Pull handle polished nickel	W1100.4352.90
Pull handle satin nickel unlacquered	W1300.4352.90
Pull handle matt black	W3000.4352.90



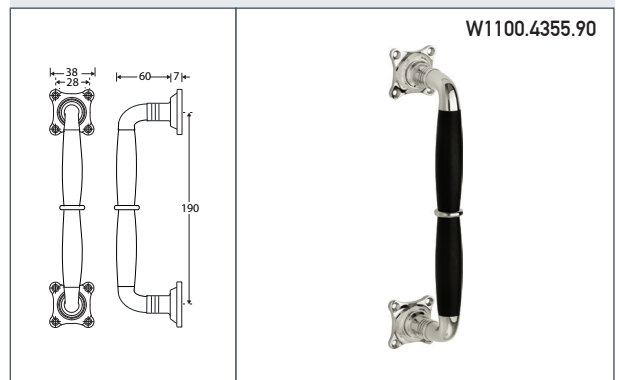
BONTON PULL HANDLE

DESCRIPTION	NUMBER
Pull handle brass unlacquered ebony	W0200.4354.90
Pull handle polished nickel ebony	W1100.4354.90
Pull handle antique nickel unlacquered ebony	W1600.4354.90



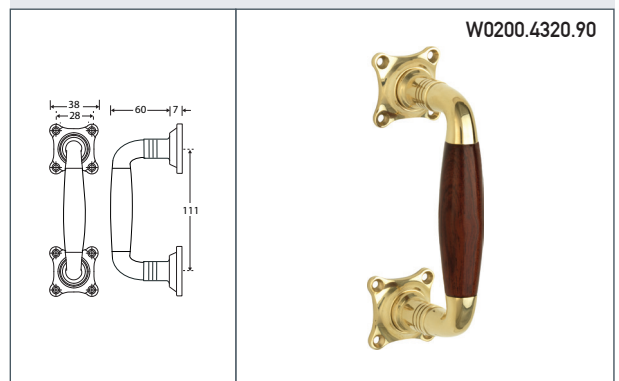
BONTON PULL HANDLE

DESCRIPTION	NUMBER
Pull handle brass unlacquered ebony	W0200.4355.90
Pull handle polished nickel ebony	W1100.4355.90
Pull handle antique nickel unlacquered ebony	W1600.4355.90

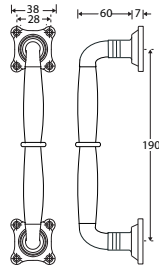


BONTON PULL HANDLE

DESCRIPTION	NUMBER
Pull handle brass unlacquered bubinga	W0200.4320.90



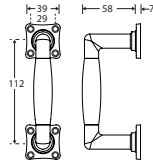
W0200.4321.90



BONTON PULL HANDLE

DESCRIPTION	NUMBER
Pull handle brass unlacquered bubinga	W0200.4321.90

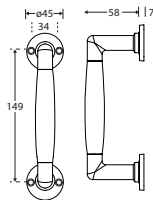
W1100.4303.90



TON PULL HANDLE ON SQUARE ROSETTE

DESCRIPTION	NUMBER
Pull handle on square rosette brass lacquered ebony	W0100.4303.90
Pull handle on square rosette brass unlacquered ebony	W0200.4303.90
Pull handle on square rosette brass antique ebony	W0500.4303.90
Pull handle on square rosette polished nickel ebony	W1100.4303.90
Pull handle on square rosette satin nickel unlacquered ebony	W1300.4303.90
Pull handle on square rosette antique nickel unlacquered ebony	W1600.4303.90
Pull handle on square rosette satin chrome ebony	W2300.4303.90

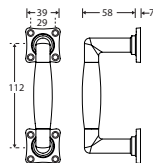
W1100.4305.90



TON PULL HANDLE ON ROUND ROSETTE

DESCRIPTION	NUMBER
Pull handle on round rosette brass lacquered ebony	W0100.4305.90
Pull handle on round rosette brass unlacquered ebony	W0200.4305.90
Pull handle on round rosette brass antique ebony	W0500.4305.90
Pull handle on round rosette polished nickel ebony	W1100.4305.90
Pull handle on round rosette satin nickel unlacquered ebony	W1300.4305.90
Pull handle on round rosette antique nickel unlacquered ebony	W1600.4305.90
Pull handle on round rosette satin chrome ebony	W2300.4305.90

W3000.4302.90



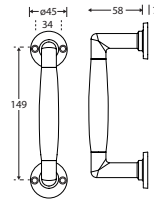
TON PULL HANDLE ON SQUARE ROSETTE

DESCRIPTION	NUMBER
Pull handle on square rosette matt black / teak	W3000.4302.90

TON PULL HANDLE ON ROUND ROSETTE

DESCRIPTION NUMBER

Pull handle on round rosette matt black / teak W3000.4304.90



W3000.4304.90



ART-DECO PULL HANDLE

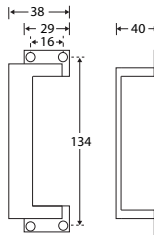
DESCRIPTION NUMBER

Pull handle brass lacquered W0100.4357.90

Pull handle polished nickel W1100.4357.90

Pull handle satin nickel unlacquered W1300.4357.90

Pull handle polished chrome W2100.4357.90



W1100.4357.90



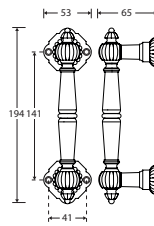
NOUVEAU PULL HANDLE

DESCRIPTION NUMBER

Pull handle brass lacquered ebony W0100.4316.90

Pull handle polished nickel ebony W1100.4316.90

Pull handle antique nickel unlacquered ebony W1600.4316.90



W1100.4316.90



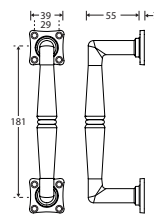
ANTIQUÉ PULL HANDLE

DESCRIPTION NUMBER

Pull handle brass lacquered ebony W0100.4315.90

Pull handle polished nickel ebony W1100.4315.90

Pull handle antique nickel unlacquered ebony W1600.4315.90



W1100.4315.90

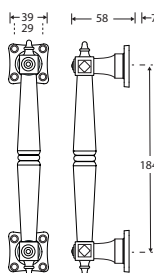


ROMAN PULL HANDLE ON SQUARE ROSETTE

DESCRIPTION NUMBER

Pull handle on square rosette brass lacquered bakelite W0100.4314.90

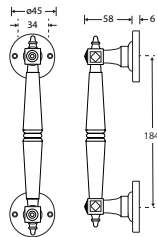
Pull handle on square rosette polished nickel bakelite W1100.4314.90



W1100.4314.90



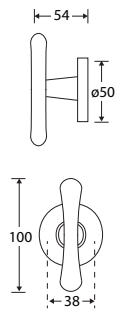
W1100.4313.90



ROMAN PULL HANDLE ON ROUND ROSETTE

DESCRIPTION	NUMBER
Pull handle on round rosette brass lacquered bakelite	W0100.4313.90
Pull handle on round rosette polished nickel bakelite	W1100.4313.90

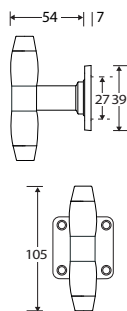
W1100.4325.90



LINEA BIG CUPBOARD KNOB CONCEALED

DESCRIPTION	NUMBER
Big cupboard knob concealed brass lacquered	W0100.4325.90
Big cupboard knob concealed brass unlacquered	W0200.4325.90
Big cupboard knob concealed polished nickel	W1100.4325.90
Big cupboard knob concealed satin nickel unlacquered	W1300.4325.90
Big cupboard knob concealed polished chrome	W2100.4325.90
Big cupboard knob concealed satin chrome	W2300.4325.90
Big cupboard knob concealed matt black	W3000.4325.90

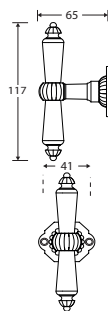
W1100.4322.90



TON BIG CUPBOARD KNOB WITH SCREW HOLES

DESCRIPTION	NUMBER
Big cupboard knob with screw holes brass lacquered ebony	W0100.4322.90
Big cupboard knob with screw holes brass unlacquered ebony	W0200.4322.90
Big cupboard knob with screw holes brass antique ebony	W0500.4322.90
Big cupboard knob with screw holes polished nickel ebony	W1100.4322.90
Big cupboard knob with screw holes satin nickel unlacquered ebony	W1300.4322.90
Big cupboard knob with screw holes antique nickel unlacquered ebony	W1600.4322.90
Big cupboard knob with screw holes satin chrome ebony	W2300.4322.90

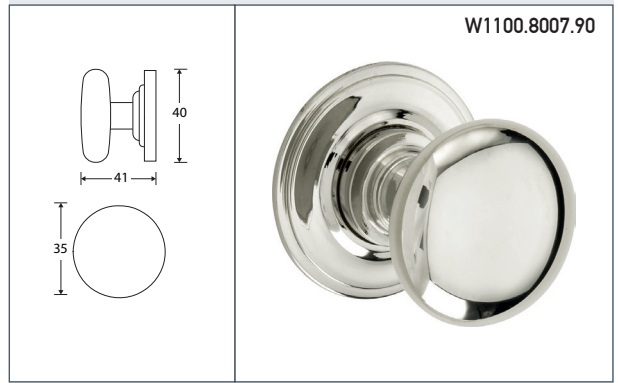
W1100.4348.90



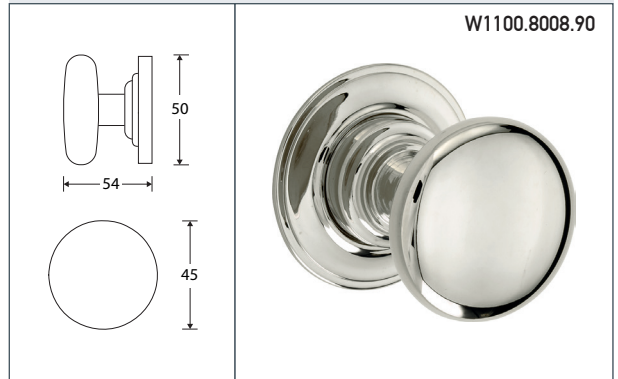
NOUVEAU BIG CUPBOARD KNOB WITH SCREW HOLES

DESCRIPTION	NUMBER
Big cupboard knob with screw holes brass lacquered ebony	W0100.4348.90
Big cupboard knob with screw holes polished nickel ebony	W1100.4348.90
Big cupboard knob with screw holes antique nickel unlacquered ebony	W1600.4348.90

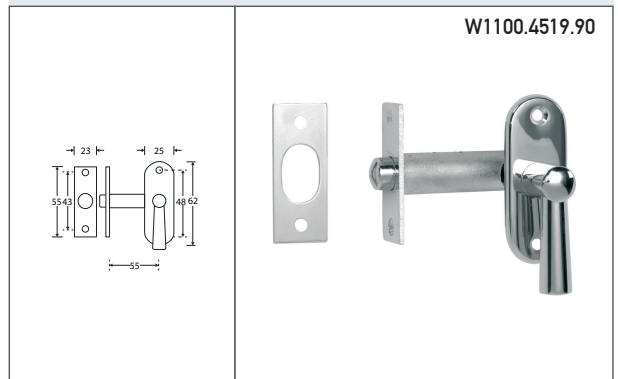
ELEGANT FURNITURE KNOB	
DESCRIPTION	NUMBER
Furniture knob brass lacquered	W0100.8007.90
Furniture knob brass unlacquered	W0200.8007.90
Furniture knob brass antique	W0500.8007.90
Furniture knob polished nickel	W1100.8007.90
Furniture knob satin nickel unlacquered	W1300.8007.90
Furniture knob antique nickel unlacquered	W1600.8007.90
Furniture knob polished chrome	W2100.8007.90
Furniture knob satin chrome	W2300.8007.90
Furniture knob matt black	W3000.8007.90



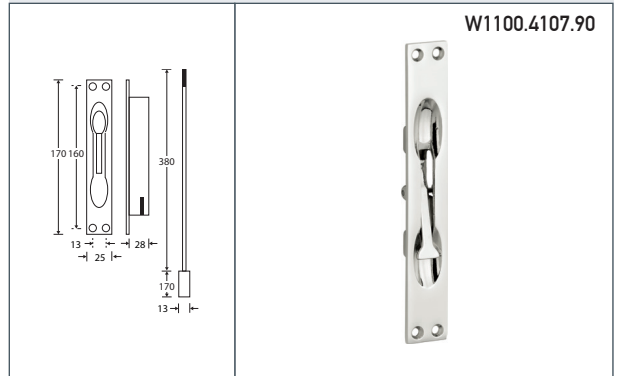
ELEGANT FURNITURE KNOB	
DESCRIPTION	NUMBER
Furniture knob brass lacquered	W0100.8008.90
Furniture knob brass unlacquered	W0200.8008.90
Furniture knob brass antique	W0500.8008.90
Furniture knob polished nickel	W1100.8008.90
Furniture knob satin nickel unlacquered	W1300.8008.90
Furniture knob antique nickel unlacquered	W1600.8008.90
Furniture knob polished chrome	W2100.8008.90
Furniture knob satin chrome	W2300.8008.90
Furniture knob matt black	W3000.8008.90



MORTICE BOLT	
DESCRIPTION	NUMBER
Mortice bolt brass lacquered	W0100.4519.90
Mortice bolt polished nickel	W1100.4519.90
Mortice bolt satin nickel unlacquered	W1300.4519.90
Mortice bolt satin chrome	W2300.4519.90
Mortice bolt matt black	W3000.4519.90



ELEGANT EXTENSION FLUSH BOLT	
DESCRIPTION	NUMBER
Extension flush bolt brass lacquered	W0100.4107.90
Extension flush bolt polished nickel	W1100.4107.90
Extension flush bolt satin nickel unlacquered	W1300.4107.90
Extension flush bolt polished chrome	W2100.4107.90



WINDOW FITTINGS

The section on window fittings shows a very complete range of products, suitable for different architectural styles, for both inward-turning and outward-turning windows. The products have the appearance of the past and meet the technical and safety standards of today. All of Mi Satori's lockable tilt-and-turn fittings are two or three-star SKG approved. Mi Satori is thereby proving that safe living and having an eye for interior design can go together hand in hand.

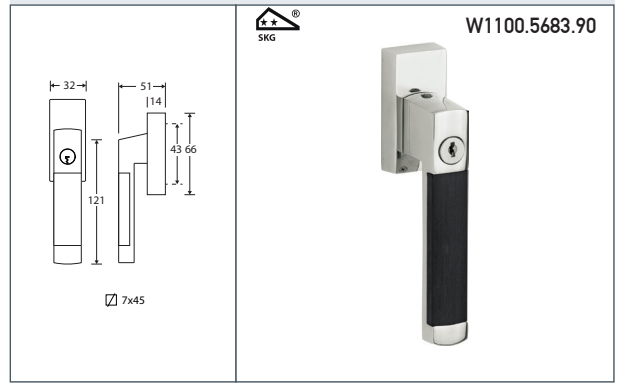


Mi Satori

TOUCH | FEEL | KNOW

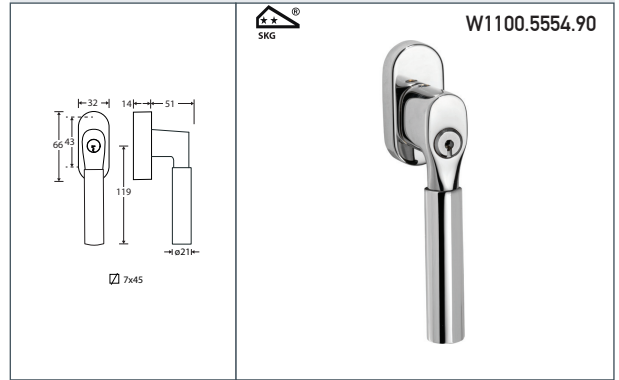
DUAL SECURITY TT WINDOW HANDLE LOCKABLE

DESCRIPTION	NUMBER
Security TT window handle lockable polished nickel ebony	W1100.5683.90
Security TT window handle lockable satin nickel unlacquered ebony	W1300.5683.90



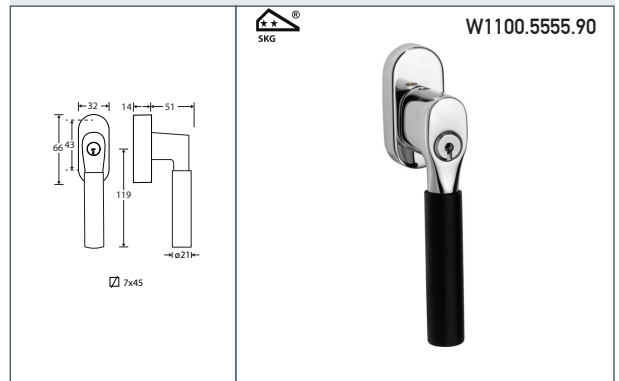
BAUHAUS-STYLE SECURITY TT WINDOW HANDLE LOCKABLE

DESCRIPTION	NUMBER
Security TT window handle lockable brass unlacquered	W0200.5554.90
Security TT window handle lockable brass antique	W0500.5554.90
Security TT window handle lockable polished nickel	W1100.5554.90
Security TT window handle lockable satin nickel unlacquered	W1300.5554.90
Security TT window handle lockable polished chrome	W2100.5554.90
Security TT window handle lockable matt black	W3000.5554.90



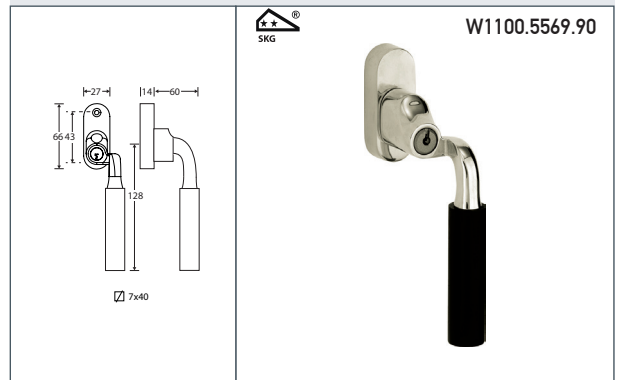
BAUHAUS-STYLE SECURITY TT WINDOW HANDLE LOCKABLE

DESCRIPTION	NUMBER
Security TT window handle lockable brass unlacquered ebony	W0200.5555.90
Security TT window handle lockable brass antique ebony	W0500.5555.90
Security TT window handle lockable polished nickel ebony	W1100.5555.90
Security TT window handle lockable satin nickel unlacquered ebony	W1300.5555.90
Security TT window handle lockable polished chrome ebony	W2100.5555.90



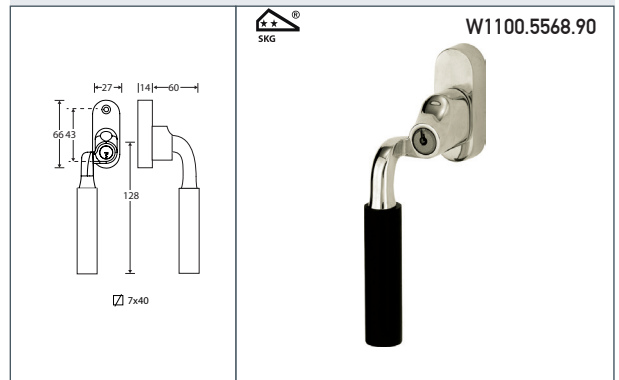
FRANKFURT SECURITY TT WINDOW HANDLE LOCKABLE RIGHT HAND

DESCRIPTION	NUMBER
Security TT window handle lockable right hand brass unlacquered ebony	W0200.5569.90
Security TT window handle lockable right hand brass antique ebony	W0500.5569.90
Security TT window handle lockable right hand polished nickel ebony	W1100.5569.90
Security TT window handle lockable right hand satin nickel unlacquered ebony	W1300.5569.90

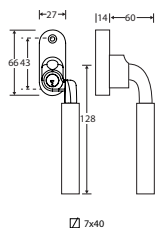


FRANKFURT SECURITY TT WINDOW HANDLE LOCKABLE LEFT HAND

DESCRIPTION	NUMBER
Security TT window handle lockable left hand brass unlacquered ebony	W0200.5568.90
Security TT window handle lockable left hand brass antique ebony	W0500.5568.90
Security TT window handle lockable left hand polished nickel ebony	W1100.5568.90
Security TT window handle lockable left hand satin nickel unlacquered ebony	W1300.5568.90



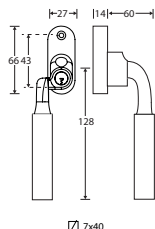
W1100.5571.90



FRANKFURT SECURITY TT WINDOW HANDLE LOCKABLE RIGHT HAND

DESCRIPTION	NUMBER
Security TT window handle lockable right hand brass unlacquered	W0200.5571.90
Security TT window handle lockable right hand brass antique	W0500.5571.90
Security TT window handle lockable right hand polished nickel	W1100.5571.90
Security TT window handle lockable right hand satin nickel unlacquered	W1300.5571.90

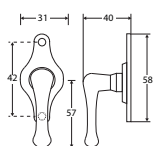
W1100.5570.90



FRANKFURT SECURITY TT WINDOW HANDLE LOCKABLE LEFT HAND

DESCRIPTION	NUMBER
Security TT window handle lockable left hand brass unlacquered	W0200.5570.90
Security TT window handle lockable left hand brass antique	W0500.5570.90
Security TT window handle lockable left hand polished nickel	W1100.5570.90
Security TT window handle lockable left hand satin nickel unlacquered	W1300.5570.90

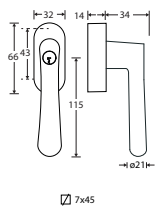
W1100.5833.90



LINEA SMALL TT WINDOW HANDLE

DESCRIPTION	NUMBER
TT window handle brass lacquered	W0100.5833.90
TT window handle brass unlacquered	W0200.5833.90
TT window handle polished nickel	W1100.5833.90
TT window handle satin nickel unlacquered	W1300.5833.90
TT window handle polished chrome	W2100.5833.90
TT window handle satin chrome	W2300.5833.90
TT window handle matt black	W3000.5833.90

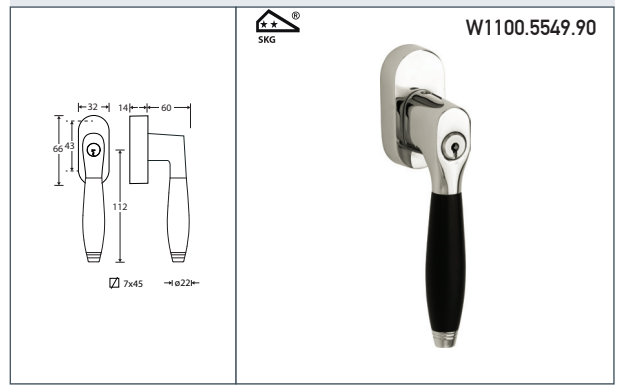
W1100.5543.90



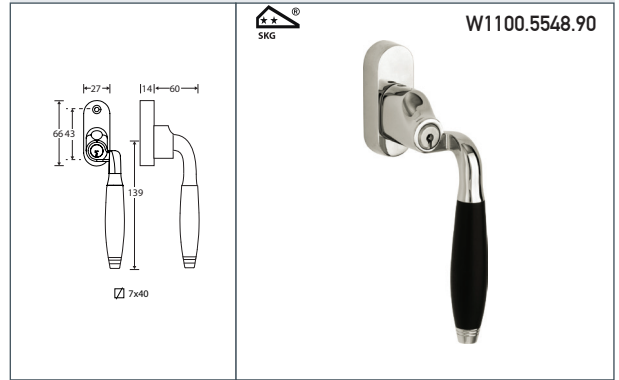
LINEA SECURITY TT WINDOW HANDLE LOCKABLE

DESCRIPTION	NUMBER
Security TT window handle lockable brass lacquered	W0100.5543.90
Security TT window handle lockable brass unlacquered	W0200.5543.90
Security TT window handle lockable brass antique	W0500.5543.90
Security TT window handle lockable polished nickel	W1100.5543.90
Security TT window handle lockable satin nickel unlacquered	W1300.5543.90
Security TT window handle lockable polished chrome	W2100.5543.90
Security TT window handle lockable satin chrome	W2300.5543.90
Security TT window handle lockable matt black	W3000.5543.90

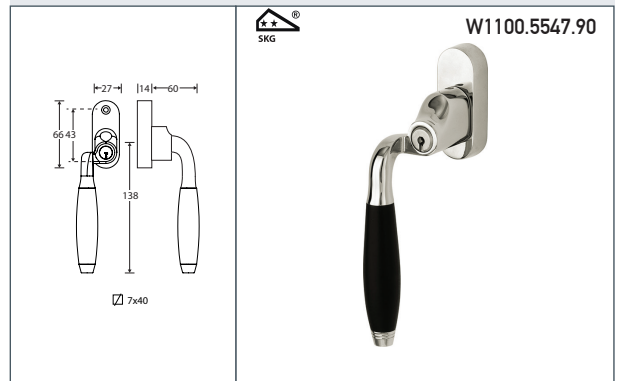
BONTON SECURITY TT WINDOW HANDLE LOCKABLE	
DESCRIPTION	NUMBER
Security TT window handle lockable brass unlacquered ebony	W0200.5549.90
Security TT window handle lockable polished nickel ebony	W1100.5549.90
Security TT window handle lockable antique nickel unlacquered ebony	W1600.5549.90



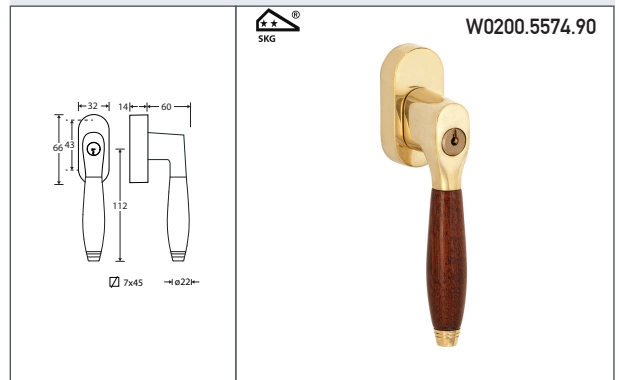
BONTON SECURITY TT WINDOW HANDLE LOCKABLE RIGHT HAND	
DESCRIPTION	NUMBER
Security TT window handle lockable right hand brass unlacquered ebony	W0200.5548.90
Security TT window handle lockable right hand polished nickel ebony	W1100.5548.90
Security TT window handle lockable right hand antique nickel unlacquered ebony	W1600.5548.90



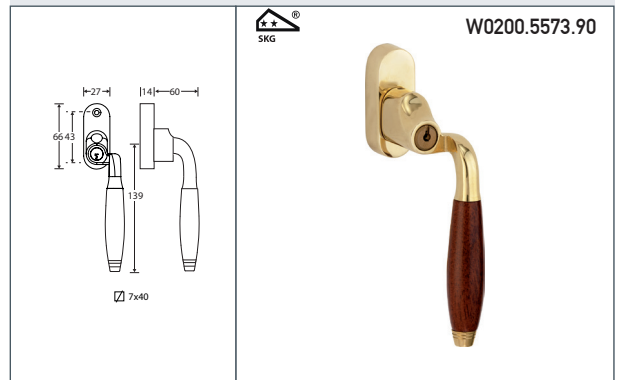
BONTON SECURITY TT WINDOW HANDLE LOCKABLE LEFT HAND	
DESCRIPTION	NUMBER
Security TT window handle lockable left hand brass unlacquered ebony	W0200.5547.90
Security TT window handle lockable left hand polished nickel ebony	W1100.5547.90
Security TT window handle lockable left hand antique nickel unlacquered ebony	W1600.5547.90



BONTON SECURITY TT WINDOW HANDLE LOCKABLE	
DESCRIPTION	NUMBER
Security TT window handle lockable brass unlacquered bubinga	W0200.5574.90



BONTON SECURITY TT WINDOW HANDLE LOCKABLE RIGHT HAND	
DESCRIPTION	NUMBER
Security TT window handle lockable right hand brass unlacquered bubinga	W0200.5573.90
Security TT window handle lockable left hand brass unlacquered bubinga	W0200.5572.90





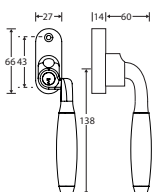
W1100.5831.90 




7x45


TON SECURITY TT WINDOW HANDLE LOCKABLE	
DESCRIPTION	NUMBER
Security TT window handle lockable brass lacquered ebony	W0100.5831.90
Security TT window handle lockable brass unlacquered ebony	W0200.5831.90
Security TT window handle lockable brass antique ebony	W0500.5831.90
Security TT window handle lockable polished nickel ebony	W1100.5831.90
Security TT window handle lockable satin nickel unlacquered ebony	W1300.5831.90
Security TT window handle lockable antique nickel unlacquered ebony	W1600.5831.90
Security TT window handle lockable satin chrome ebony	W2300.5831.90


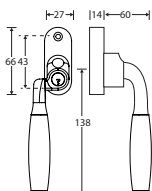
W1100.5553.90 

7x40


TON SECURITY TT WINDOW HANDLE LOCKABLE RIGHT HAND	
DESCRIPTION	NUMBER
Security TT window handle lockable right hand brass lacquered ebony	W0100.5553.90
Security TT window handle lockable right hand brass unlacquered ebony	W0200.5553.90
Security TT window handle lockable right hand brass antique ebony	W0500.5553.90
Security TT window handle lockable right hand polished nickel ebony	W1100.5553.90
Security TT window handle lockable right hand satin nickel unlacquered ebony	W1300.5553.90
Security TT window handle lockable right hand antique nickel unlacquered ebony	W1600.5553.90
Security TT window handle lockable right hand satin chrome ebony	W2300.5553.90


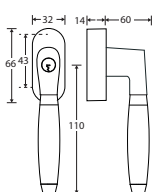
W1100.5552.90 

7x40

TON SECURITY TT WINDOW HANDLE LOCKABLE LEFT HAND	
DESCRIPTION	NUMBER
Security TT window handle lockable left hand brass lacquered ebony	W0100.5552.90
Security TT window handle lockable left hand brass unlacquered ebony	W0200.5552.90
Security TT window handle lockable left hand brass antique ebony	W0500.5552.90
Security TT window handle lockable left hand polished nickel ebony	W1100.5552.90
Security TT window handle lockable left hand satin nickel unlacquered ebony	W1300.5552.90
Security TT window handle lockable left hand antique nickel unlacquered ebony	W1600.5552.90
Security TT window handle lockable left hand satin chrome ebony	W2300.5552.90

W3000.5832.90 

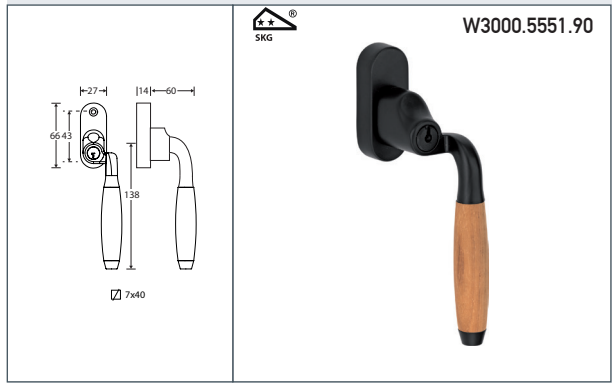
7x45

TON SECURITY TT WINDOW HANDLE LOCKABLE	
DESCRIPTION	NUMBER
Security TT window handle lockable matt black / teak	W3000.5832.90

TON SECURITY TT WINDOW HANDLE LOCKABLE RIGHT HAND

DESCRIPTION NUMBER

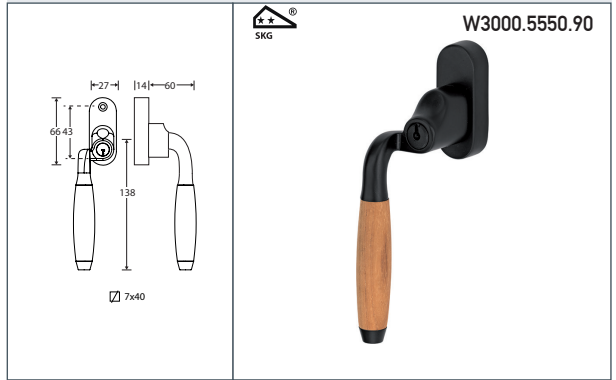
Security TT window handle lockable right hand matt black / teak W3000.5551.90



TON SECURITY TT WINDOW HANDLE LOCKABLE LEFT HAND

DESCRIPTION NUMBER

Security TT window handle lockable left hand matt black / teak W3000.5550.90



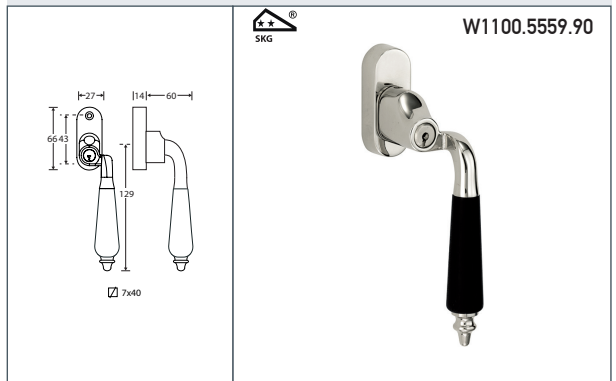
ANTIQUE SECURITY TT WINDOW HANDLE LOCKABLE RIGHT HAND

DESCRIPTION NUMBER

Security TT window handle lockable right hand brass lacquered ebony W0100.5559.90

Security TT window handle lockable right hand polished nickel ebony W1100.5559.90

Security TT window handle lockable right hand antique nickel unlacquered ebony W1600.5559.90



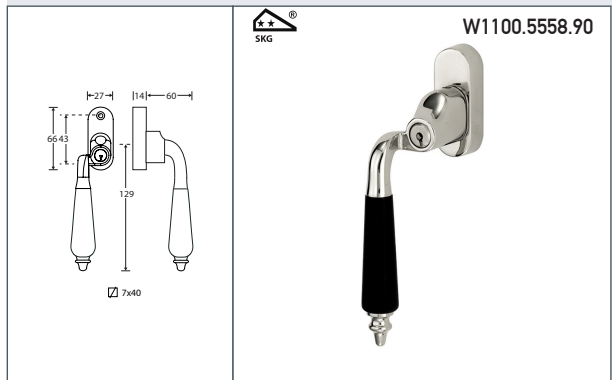
ANTIQUE SECURITY TT WINDOW HANDLE LOCKABLE LEFT HAND

DESCRIPTION NUMBER

Security TT window handle lockable left hand brass lacquered ebony W0100.5558.90

Security TT window handle lockable left hand polished nickel ebony W1100.5558.90

Security TT window handle lockable left hand antique nickel unlacquered ebony W1600.5558.90



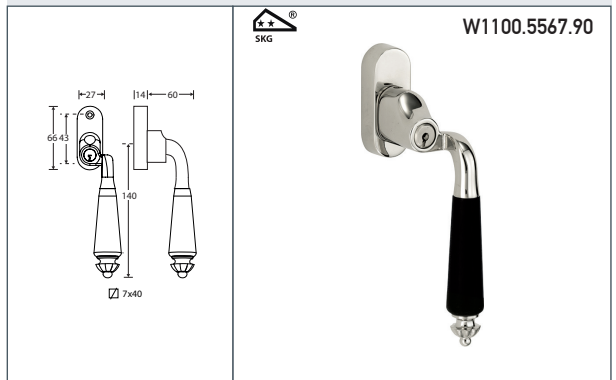
NOUVEAU SECURITY TT WINDOW HANDLE LOCKABLE RIGHT HAND

DESCRIPTION NUMBER

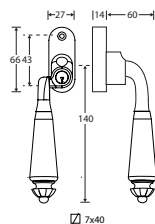
Security TT window handle lockable right hand brass lacquered ebony W0100.5567.90

Security TT window handle lockable right hand polished nickel ebony W1100.5567.90

Security TT window handle lockable right hand antique nickel unlacquered ebony W1600.5567.90



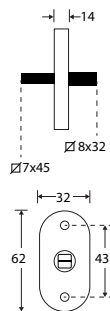
W1100.5566.90



NOUVEAU SECURITY TT WINDOW HANDLE LOCKABLE LEFT HAND

DESCRIPTION	NUMBER
Security TT window handle lockable left hand brass lacquered ebony	W0100.5566.90
Security TT window handle lockable left hand polished nickel ebony	W1100.5566.90
Security TT window handle lockable left hand antique nickel unlacquered ebony	W1600.5566.90

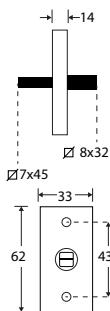
W1100.5575.90



ELEGANT TT MECHANISM

DESCRIPTION	NUMBER
TT mechanism brass lacquered	W0100.5575.90
TT mechanism brass unlacquered	W0200.5575.90
TT mechanism brass antique	W0500.5575.90
TT mechanism polished nickel	W1100.5575.90
TT mechanism satin nickel unlacquered	W1300.5575.90
TT mechanism antique nickel unlacquered	W1600.5575.90
TT mechanism polished chrome	W2100.5575.90
TT mechanism satin chrome	W2300.5575.90
TT mechanism matt black	W3000.5575.90

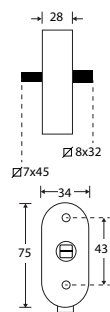
W1100.5577.90



BAUHAUS-STYLE TT MECHANISM

DESCRIPTION	NUMBER
TT mechanism brass lacquered	W0100.5577.90
TT mechanism brass unlacquered	W0200.5577.90
TT mechanism brass antique	W0500.5577.90
TT mechanism polished nickel	W1100.5577.90
TT mechanism satin nickel unlacquered	W1300.5577.90
TT mechanism polished chrome	W2100.5577.90
TT mechanism satin chrome	W2300.5577.90
TT mechanism matt black	W3000.5577.90

W1100.5576.90

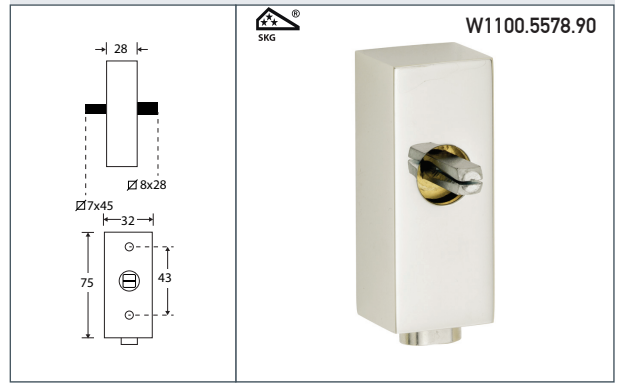


ELEGANT LOCKABLE SECURITY TT MECHANISM

DESCRIPTION	NUMBER
Lockable security TT mechanism brass lacquered	W0100.5576.90
Lockable security TT mechanism brass unlacquered	W0200.5576.90
Lockable security TT mechanism brass antique	W0500.5576.90
Lockable security TT mechanism polished nickel	W1100.5576.90
Lockable security TT mechanism satin nickel unlacquered	W1300.5576.90
Lockable security TT mechanism antique nickel unlacquered	W1600.5576.90
Lockable security TT mechanism polished chrome	W2100.5576.90
Lockable security TT mechanism satin chrome	W2300.5576.90
Lockable security TT mechanism matt black	W3000.5576.90

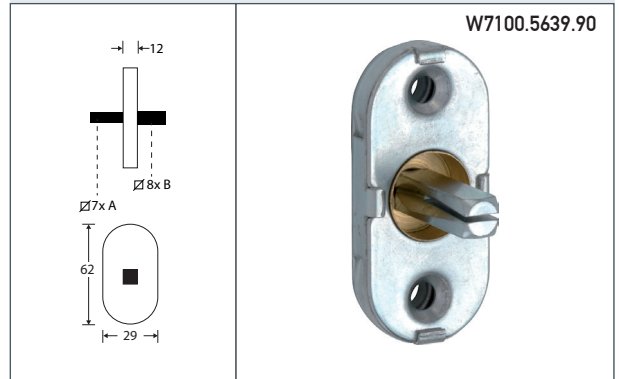
RECTANGULAR LOCKABLE SECURITY TT MECHANISM

DESCRIPTION	NUMBER
Lockable security TT mechanism brass lacquered	W0100.5578.90
Lockable security TT mechanism brass unlacquered	W0200.5578.90
Lockable security TT mechanism brass antique	W0500.5578.90
Lockable security TT mechanism polished nickel	W1100.5578.90
Lockable security TT mechanism satin nickel unlacquered	W1300.5578.90
Lockable security TT mechanism polished chrome	W2100.5578.90
Lockable security TT mechanism satin chrome	W2300.5578.90
Lockable security TT mechanism matt black	W3000.5578.90



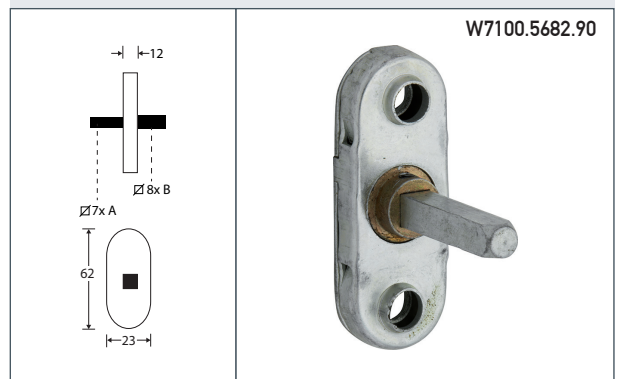
TT MECHANISM OVAL WIDE

DESCRIPTION	A	B	NUMBER
TT mechanism oval wide Iron galvanized	32 mm	32 mm	W7100.5639.90
TT mechanism oval wide Iron galvanized	45 mm	35 mm	W7100.5642.90
TT mechanism oval wide Iron galvanized	45 mm	50 mm	W7100.5643.90
TT mechanism oval wide Iron galvanized	55 mm	32 mm	W7100.5729.90



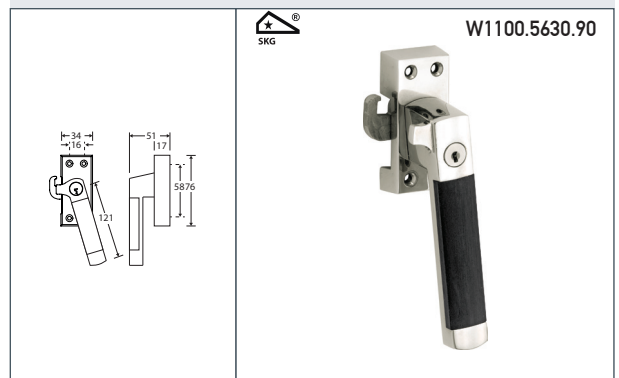
TT MECHANISM OVAL SLIM

DESCRIPTION	A	B	NUMBER
TT mechanism oval slim Iron galvanized	32 mm	32 mm	W7100.5682.90
TT mechanism oval slim Iron galvanized	40 mm	32 mm	W7100.5685.90
TT mechanism oval slim Iron galvanized	60 mm	32 mm	W7100.5727.90

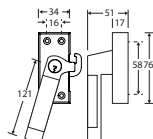


DUAL SECURITY WINDOW FASTENER, RIGHT HAND, OPEN TO OUTSIDE

DESCRIPTION	NUMBER
Security window fastener, right hand, open to outside polished nickel ebony	W1100.5630.90
Security window fastener, right hand, open to outside satin nickel unlacquered ebony	W1300.5630.90



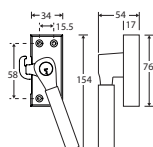
W1100.5631.90



DUAL SECURITY WINDOW FASTENER, LEFT HAND, OPEN TO OUTSIDE

DESCRIPTION	NUMBER
Security window fastener, left hand, open to outside polished nickel ebony	W1100.5631.90
Security window fastener, left hand, open to outside satin nickel unlacquered ebony	W1300.5631.90

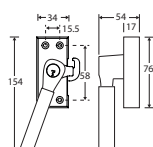
W1100.5525.90



BAUHAUS-STYLE SECURITY WINDOW FASTENER, RIGHT HAND, OPEN TO OUTSIDE

DESCRIPTION	NUMBER
Security window fastener, right hand, open to outside brass unlacquered	W0200.5525.90
Security window fastener, right hand, open to outside brass antique	W0500.5525.90
Security window fastener, right hand, open to outside polished nickel	W1100.5525.90
Security window fastener, right hand, open to outside satin nickel unlacquered	W1300.5525.90
Security window fastener, right hand, open to outside polished chrome	W2100.5525.90
Security window fastener, right hand, open to outside matt black	W3000.5525.90

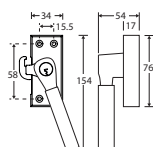
W1100.5524.90



BAUHAUS-STYLE SECURITY WINDOW FASTENER, LEFT HAND, OPEN TO OUTSIDE

DESCRIPTION	NUMBER
Security window fastener, left hand, open to outside brass unlacquered	W0200.5524.90
Security window fastener, left hand, open to outside brass antique	W0500.5524.90
Security window fastener, left hand, open to outside polished nickel	W1100.5524.90
Security window fastener, left hand, open to outside satin nickel unlacquered	W1300.5524.90
Security window fastener, left hand, open to outside polished chrome	W2100.5524.90
Security window fastener, left hand, open to outside matt black	W3000.5524.90

W1100.5527.90



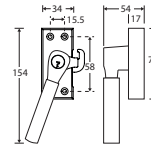
BAUHAUS-STYLE SECURITY WINDOW FASTENER, RIGHT HAND, OPEN TO OUTSIDE

DESCRIPTION	NUMBER
Security window fastener, right hand, open to outside brass unlacquered ebony	W0200.5527.90
Security window fastener, right hand, open to outside brass antique ebony	W0500.5527.90
Security window fastener, right hand, open to outside polished nickel ebony	W1100.5527.90
Security window fastener, right hand, open to outside satin nickel unlacquered ebony	W1300.5527.90
Security window fastener, right hand, open to outside polished chrome ebony	W2100.5527.90

BAUHAUS-STYLE SECURITY WINDOW FASTENER, LEFT HAND, OPEN TO OUTSIDE

DESCRIPTION NUMBER

Security window fastener, left hand, open to outside brass unlacquered ebony	W0200.5526.90
Security window fastener, left hand, open to outside brass antique ebony	W0500.5526.90
Security window fastener, left hand, open to outside polished nickel ebony	W1100.5526.90
Security window fastener, left hand, open to outside satin nickel unlacquered ebony	W1300.5526.90
Security window fastener, left hand, open to outside polished chrome ebony	W2100.5526.90



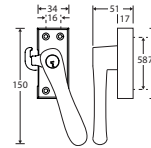
W1100.5526.90



LINEA SECURITY WINDOW FASTENER, RIGHT HAND, OPEN TO OUTSIDE

DESCRIPTION NUMBER

Security window fastener, right hand, open to outside brass lacquered	W0100.5519.90
Security window fastener, right hand, open to outside brass unlacquered	W0200.5519.90
Security window fastener, right hand, open to outside brass antique	W0500.5519.90
Security window fastener, right hand, open to outside polished nickel	W1100.5519.90
Security window fastener, right hand, open to outside satin nickel unlacquered	W1300.5519.90
Security window fastener, right hand, open to outside polished chrome	W2100.5519.90
Security window fastener, right hand, open to outside satin chrome	W2300.5519.90
Security window fastener, right hand, open to outside matt black	W3000.5519.90



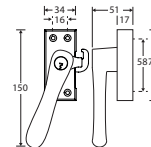
W1100.5519.90



LINEA SECURITY WINDOW FASTENER, LEFT HAND, OPEN TO OUTSIDE

DESCRIPTION NUMBER

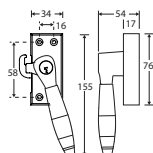
Security window fastener, left hand, open to outside brass lacquered	W0100.5518.90
Security window fastener, left hand, open to outside brass unlacquered	W0200.5518.90
Security window fastener, left hand, open to outside brass antique	W0500.5518.90
Security window fastener, left hand, open to outside polished nickel	W1100.5518.90
Security window fastener, left hand, open to outside satin nickel unlacquered	W1300.5518.90
Security window fastener, left hand, open to outside polished chrome	W2100.5518.90
Security window fastener, left hand, open to outside satin chrome	W2300.5518.90
Security window fastener, left hand, open to outside matt black	W3000.5518.90



W1100.5518.90



W1100.5560.90

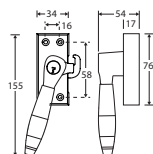


BONTON SECURITY WINDOW FASTENER, RIGHT HAND, OPEN TO OUTSIDE

DESCRIPTION NUMBER

Security window fastener, right hand, open to outside brass unlacquered ebony	W0200.5560.90
Security window fastener, right hand, open to outside polished nickel ebony	W1100.5560.90
Security window fastener, right hand, open to outside antique nickel unlacquered ebony	W1600.5560.90

W1100.5564.90

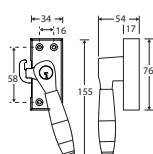


BONTON SECURITY WINDOW FASTENER, LEFT HAND, OPEN TO OUTSIDE

DESCRIPTION NUMBER

Security window fastener, left hand, open to outside brass unlacquered ebony	W0200.5564.90
Security window fastener, left hand, open to outside polished nickel ebony	W1100.5564.90
Security window fastener, left hand, open to outside antique nickel unlacquered ebony	W1600.5564.90

W0200.5627.90

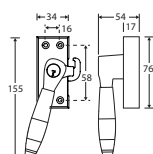


BONTON SECURITY WINDOW FASTENER, RIGHT HAND, OPEN TO OUTSIDE

DESCRIPTION NUMBER

Security window fastener, right hand, open to outside brass unlacquered bubinga	W0200.5627.90
---------------------------------------------------------------------------------	---------------

W0200.5626.90



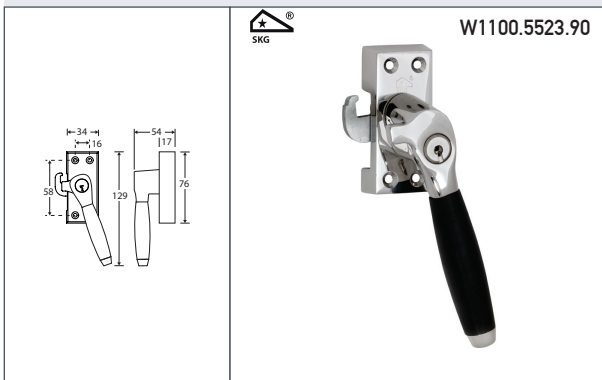
BONTON SECURITY WINDOW FASTENER, LEFT HAND, OPEN TO OUTSIDE

DESCRIPTION NUMBER

Security window fastener, left hand, open to outside brass unlacquered bubinga	W0200.5626.90
--------------------------------------------------------------------------------	---------------

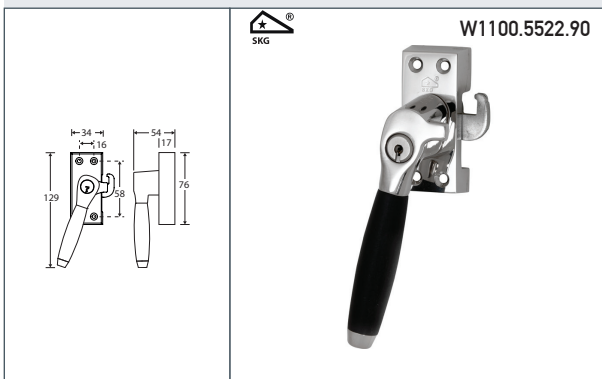
TON SECURITY WINDOW FASTENER, RIGHT HAND, OPEN TO OUTSIDE

DESCRIPTION	NUMBER
Security window fastener, right hand, open to outside brass lacquered ebony	W0100.5523.90
Security window fastener, right hand, open to outside brass unlacquered ebony	W0200.5523.90
Security window fastener, right hand, open to outside brass antique ebony	W0500.5523.90
Security window fastener, right hand, open to outside polished nickel ebony	W1100.5523.90
Security window fastener, right hand, open to outside satin nickel unlacquered ebony	W1300.5523.90
Security window fastener, right hand, open to outside antique nickel unlacquered ebony	W1600.5523.90
Security window fastener, right hand, open to outside satin chrome ebony	W2300.5523.90



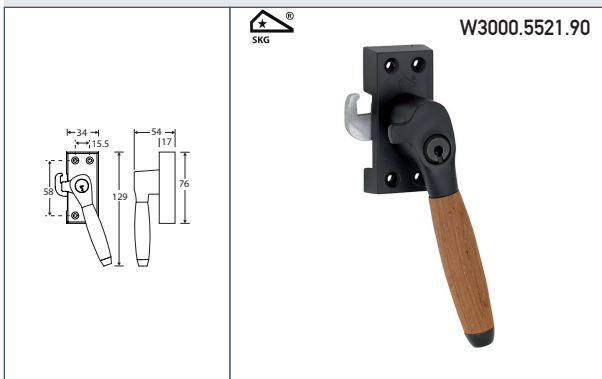
TON SECURITY WINDOW FASTENER, LEFT HAND, OPEN TO OUTSIDE

DESCRIPTION	NUMBER
Security window fastener, left hand, open to outside brass lacquered ebony	W0100.5522.90
Security window fastener, left hand, open to outside brass unlacquered ebony	W0200.5522.90
Security window fastener, left hand, open to outside brass antique ebony	W0500.5522.90
Security window fastener, left hand, open to outside polished nickel ebony	W1100.5522.90
Security window fastener, left hand, open to outside satin nickel unlacquered ebony	W1300.5522.90
Security window fastener, left hand, open to outside antique nickel unlacquered ebony	W1600.5522.90
Security window fastener, left hand, open to outside satin chrome ebony	W2300.5522.90



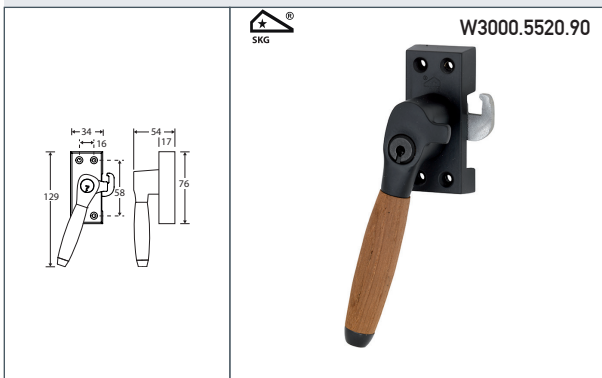
TON SECURITY WINDOW FASTENER, RIGHT HAND, OPEN TO OUTSIDE

DESCRIPTION	NUMBER
Security window fastener, right hand, open to outside matt black / teak	W3000.5521.90

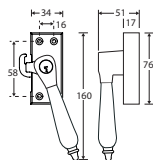


TON SECURITY WINDOW FASTENER, LEFT HAND, OPEN TO OUTSIDE

DESCRIPTION	NUMBER
Security window fastener, left hand, open to outside matt black / teak	W3000.5520.90



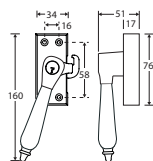
W1100.5529.90



ANTIQUE SECURITY WINDOW FASTENER, RIGHT HAND, OPEN TO OUTSIDE

DESCRIPTION	NUMBER
Security window fastener, right hand, open to outside brass lacquered ebony	W0100.5529.90
Security window fastener, right hand, open to outside polished nickel ebony	W1100.5529.90
Security window fastener, right hand, open to outside antique nickel unlacquered ebony	W1600.5529.90

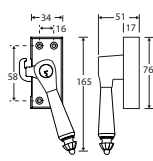
W1100.5528.90



ANTIQUE SECURITY WINDOW FASTENER, LEFT HAND, OPEN TO OUTSIDE

DESCRIPTION	NUMBER
Security window fastener, left hand, open to outside brass lacquered ebony	W0100.5528.90
Security window fastener, left hand, open to outside polished nickel ebony	W1100.5528.90
Security window fastener, left hand, open to outside antique nickel unlacquered ebony	W1600.5528.90

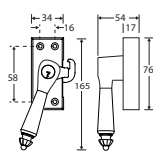
W1100.5531.90



NOUVEAU SECURITY WINDOW FASTENER, RIGHT HAND, OPEN TO OUTSIDE

DESCRIPTION	NUMBER
Security window fastener, right hand, open to outside brass lacquered ebony	W0100.5531.90
Security window fastener, right hand, open to outside polished nickel ebony	W1100.5531.90
Security window fastener, right hand, open to outside antique nickel unlacquered ebony	W1600.5531.90

W1100.5530.90

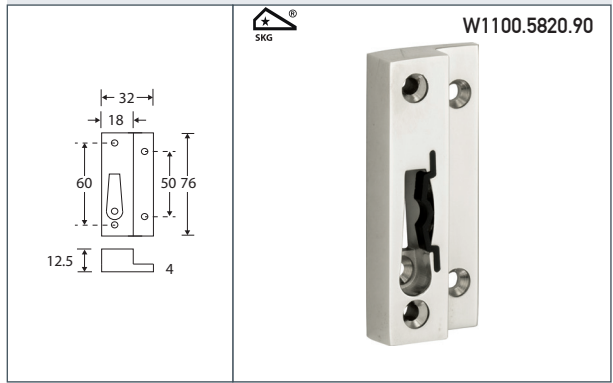


NOUVEAU SECURITY WINDOW FASTENER, LEFT HAND, OPEN TO OUTSIDE

DESCRIPTION	NUMBER
Security window fastener, left hand, open to outside brass lacquered ebony	W0100.5530.90
Security window fastener, left hand, open to outside polished nickel ebony	W1100.5530.90
Security window fastener, left hand, open to outside antique nickel unlacquered ebony	W1600.5530.90

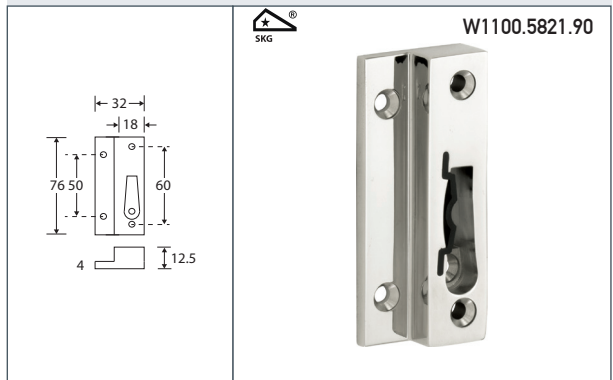
STRIKE PLATE FOR LOCKABLE WINDOW HANDLE, LEFT HAND

DESCRIPTION	NUMBER
Strike plate for lockable window handle no vibration, left hand brass lacquered	W0100.5820.90
Strike plate for lockable window handle no vibration, left hand brass unlacquered	W0200.5820.90
Strike plate for lockable window handle no vibration, left hand brass antique	W0500.5820.90
Strike plate for lockable window handle, left hand polished nickel	W1100.5820.90
Strike plate for lockable window handle, left hand satin nickel unlacquered	W1300.5820.90
Strike plate for lockable window handle no vibration, left hand antique nickel unlacquered	W1600.5820.90
Strike plate for lockable window handle no vibration, left hand polished chrome	W2100.5820.90
Strike plate for lockable window handle no vibration, left hand satin chrome	W2300.5820.90
Strike plate for lockable window handle no vibration, left hand matt black	W3000.5820.90



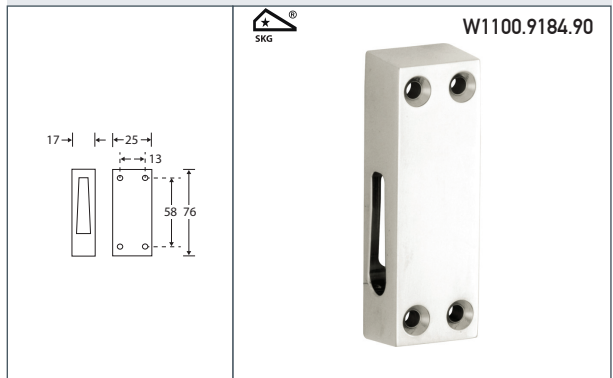
STRIKE PLATE FOR LOCKABLE WINDOW HANDLE, RIGHT HAND

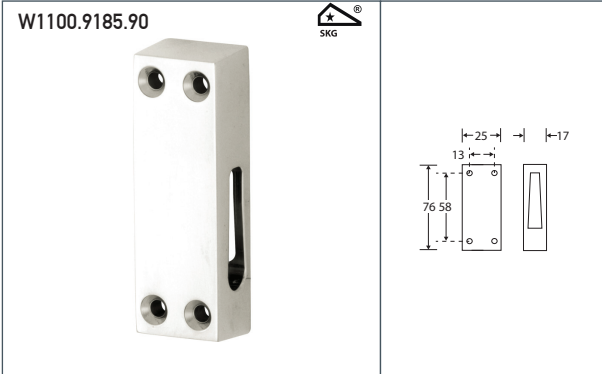
DESCRIPTION	NUMBER
Strike plate for lockable window handle no vibration, right hand brass lacquered	W0100.5821.90
Strike plate for lockable window handle no vibration, right hand brass unlacquered	W0200.5821.90
Strike plate for lockable window handle no vibration, right hand brass antique	W0500.5821.90
Strike plate for lockable window handle, right hand polished nickel	W1100.5821.90
Strike plate for lockable window handle, right hand satin nickel unlacquered	W1300.5821.90
Strike plate for lockable window handle no vibration, right hand antique nickel unlacquered	W1600.5821.90
Strike plate for lockable window handle no vibration, right hand polished chrome	W2100.5821.90
Strike plate for lockable window handle no vibration, right hand satin chrome	W2300.5821.90
Strike plate for lockable window handle no vibration, right hand matt black	W3000.5821.90



END CATCH FOR LOCKABLE WINDOW HANDLE LEFT HAND, OPEN TO INSIDE

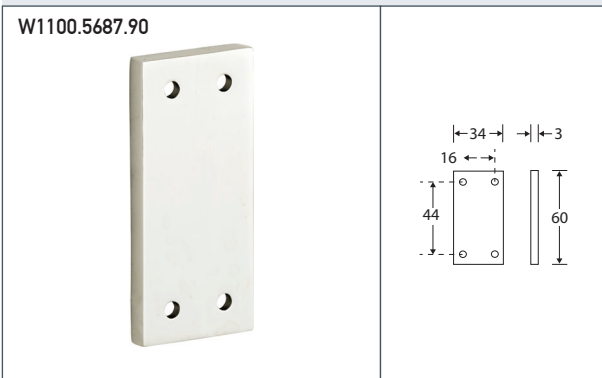
DESCRIPTION	NUMBER
End catch for lockable window handle left hand, open to inside brass lacquered	W0100.9184.90
End catch for lockable window handle left hand, open to inside brass unlacquered	W0200.9184.90
End catch for lockable window handle left hand, open to inside brass antique	W0500.9184.90
End catch for lockable window handle left hand, open to inside polished nickel	W1100.9184.90
End catch for lockable window handle left hand, open to inside satin nickel unlacquered	W1300.9184.90
End catch for lockable window handle left hand, open to inside antique nickel unlacquered	W1600.9184.90
End catch for lockable window handle left hand, open to inside polished chrome	W2100.9184.90
End catch for lockable window handle left hand, open to inside satin chrome	W2300.9184.90
End catch for lockable window handle left hand, open to inside matt black	W3000.9184.90





END CATCH FOR LOCKABLE WINDOW HANDLE RIGHT HAND, OPEN TO INSIDE

DESCRIPTION	NUMBER
End catch for lockable window handle right hand, open to inside brass lacquered	W0100.9185.90
End catch for lockable window handle right hand, open to inside brass unlacquered	W0200.9185.90
End catch for lockable window handle right hand, open to inside brass antique	W0500.9185.90
End catch for lockable window handle right hand, open to inside polished nickel	W1100.9185.90
End catch for lockable window handle right hand, open to inside satin nickel unlacquered	W1300.9185.90
End catch for lockable window handle right hand, open to inside antique nickel unlacquered	W1600.9185.90
End catch for lockable window handle right hand, open to inside polished chrome	W2100.9185.90
End catch for lockable window handle right hand, open to inside satin chrome	W2300.9185.90
End catch for lockable window handle right hand, open to inside matt black	W3000.9185.90



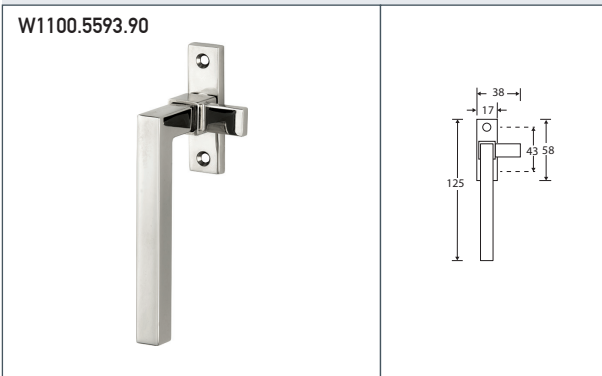
SHIM 3MM FOR LOCKABLE WINDOW HANDLE

DESCRIPTION	NUMBER
Shim 3mm for lockable window handle brass lacquered	W0100.5687.90
Shim 3mm for lockable window handle brass unlacquered	W0200.5687.90
Shim 3mm for lockable window handle polished nickel	W1100.5687.90
Shim 3mm for lockable window handle satin nickel unlacquered	W1300.5687.90
Shim 3mm for lockable window handle polished chrome	W2100.5687.90
Shim 3mm for lockable window handle satin chrome	W2300.5687.90
Shim 3mm for lockable window handle matt black	W3000.5687.90



KARE WINDOW LEVER HANDLE, RIGHT HAND, OPEN TO OUTSIDE

DESCRIPTION	NUMBER
Window lever handle, right hand, open to outside matt black	W0100.5594.90
Window lever handle, right hand, open to outside matt black	W1100.5594.90
Window lever handle, right hand, open to outside satin nickel unlacquered	W1300.5594.90
Window lever handle, right hand, open to outside polished chrome	W2100.5594.90
Window lever handle, right hand, open to outside matt chrome	W2300.5594.90
Window lever handle, right hand, open to outside matt black	W3000.5594.90

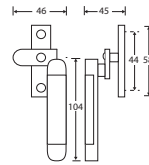


KARE WINDOW LEVER HANDLE, LEFT HAND, OPEN TO OUTSIDE

DESCRIPTION	NUMBER
Window lever handle, left hand, open to outside brass lacquered	W0100.5593.90
Window lever handle, left hand, open to outside polished nickel	W1100.5593.90
Window lever handle, left hand, open to outside satin nickel unlacquered	W1300.5593.90
Window lever handle, left hand, open to outside polished chrome	W2100.5593.90
Window lever handle, left hand, open to outside matt chrome	W2300.5593.90
Window lever handle, left hand, open to outside matt black	W3000.5593.90

DUAL WINDOW LEVER HANDLE, RIGHT HAND, OPEN TO OUTSIDE

DESCRIPTION	NUMBER
Window lever handle, right hand, open to outside polished nickel ebony	W1100.5628.90
Window lever handle, right hand, open to outside satin nickel unlacquered ebony	W1300.5628.90

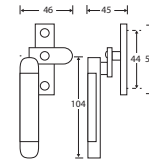


W1100.5628.90



DUAL WINDOW LEVER HANDLE, LEFT HAND, OPEN TO OUTSIDE

DESCRIPTION	NUMBER
Window lever handle, left hand, open to outside polished nickel ebony	W1100.5629.90
Window lever handle, left hand, open to outside satin nickel unlacquered ebony	W1300.5629.90

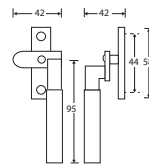


W1100.5629.90



BAUHAUS-STYLE WINDOW LEVER HANDLE, RIGHT HAND, OPEN TO OUTSIDE

DESCRIPTION	NUMBER
Window lever handle, right hand, open to outside brass unlacquered	W0200.5825.90
Window lever handle, right hand, open to outside brass antique	W0500.5825.90
Window lever handle, right hand, open to outside polished nickel	W1100.5825.90
Window lever handle, right hand, open to outside satin nickel unlacquered	W1300.5825.90
Window lever handle, right hand, open to outside polished chrome	W2100.5825.90
Window lever handle, right hand, open to outside matt black	W3000.5825.90

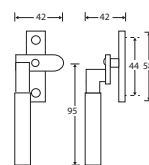


W1100.5825.90



BAUHAUS-STYLE WINDOW LEVER HANDLE, LEFT HAND, OPEN TO OUTSIDE

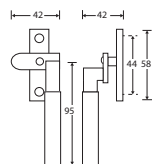
DESCRIPTION	NUMBER
Window lever handle, left hand, open to outside brass unlacquered	W0200.5826.90
Window lever handle, left hand, open to outside brass antique	W0500.5826.90
Window lever handle, left hand, open to outside polished nickel	W1100.5826.90
Window lever handle, left hand, open to outside satin nickel unlacquered	W1300.5826.90
Window lever handle, left hand, open to outside polished chrome	W2100.5826.90
Window lever handle, left hand, open to outside matt black	W3000.5826.90



W1100.5826.90



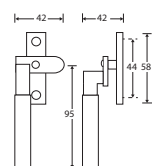
W1100.5823.90



BAUHAUS-STYLE WINDOW LEVER HANDLE, RIGHT HAND, OPEN TO OUTSIDE

DESCRIPTION	NUMBER
Window lever handle, right hand, open to outside brass unlacquered ebony	W0200.5823.90
Window lever handle, right hand, open to outside brass antique ebony	W0500.5823.90
Window lever handle, right hand, open to outside polished nickel ebony	W1100.5823.90
Window lever handle, right hand, open to outside satin nickel unlacquered ebony	W1300.5823.90
Window lever handle, right hand, open to outside polished chrome ebony	W2100.5823.90

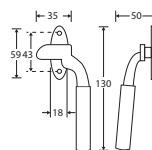
W1100.5824.90



BAUHAUS-STYLE WINDOW LEVER HANDLE, LEFT HAND, OPEN TO OUTSIDE

DESCRIPTION	NUMBER
Window lever handle, left hand, open to outside brass unlacquered ebony	W0200.5824.90
Window lever handle, left hand, open to outside brass antique ebony	W0500.5824.90
Window lever handle, left hand, open to outside polished nickel ebony	W1100.5824.90
Window lever handle, left hand, open to outside satin nickel unlacquered ebony	W1300.5824.90
Window lever handle, left hand, open to outside polished chrome ebony	W2100.5824.90

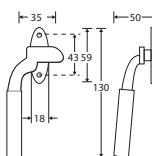
W1100.5511.90



FRANKFURT WINDOW LEVER HANDLE, RIGHT HAND, OPEN TO OUTSIDE

DESCRIPTION	NUMBER
Window lever handle, right hand, open to outside brass unlacquered ebony	W0200.5511.90
Window lever handle, right hand, open to outside brass antique ebony	W0500.5511.90
Window lever handle, right hand, open to outside polished nickel ebony	W1100.5511.90
Window lever handle, right hand, open to outside satin nickel unlacquered ebony	W1300.5511.90

W1100.5510.90

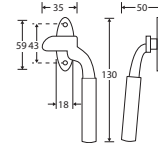


FRANKFURT WINDOW LEVER HANDLE, LEFT HAND, OPEN TO OUTSIDE

DESCRIPTION	NUMBER
Window lever handle, left hand, open to outside brass unlacquered ebony	W0200.5510.90
Window lever handle, left hand, open to outside brass antique ebony	W0500.5510.90
Window lever handle, left hand, open to outside polished nickel ebony	W1100.5510.90
Window lever handle, left hand, open to outside satin nickel unlacquered ebony	W1300.5510.90

FRANKFURT WINDOW LEVER HANDLE, RIGHT HAND, OPEN TO OUTSIDE

DESCRIPTION	NUMBER
Window lever handle, right hand, open to outside polished nickel	W0200.5509.90
Window lever handle, right hand, open to outside polished nickel	W0500.5509.90
Window lever handle, right hand, open to outside polished nickel	W1100.5509.90
Window lever handle, right hand, open to outside satin nickel unlacquered	W1300.5509.90

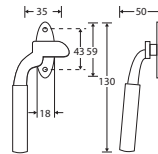


W1100.5509.90



FRANKFURT WINDOW LEVER HANDLE, LEFT HAND, OPEN TO OUTSIDE

DESCRIPTION	NUMBER
Window lever handle, left hand, open to outside brass unlacquered	W0200.5508.90
Window lever handle, left hand, open to outside brass antique	W0500.5508.90
Window lever handle, left hand, open to outside polished nickel	W1100.5508.90
Window lever handle, left hand, open to outside satin nickel unlacquered	W1300.5508.90

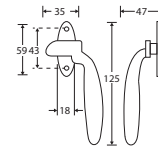


W1100.5508.90



DUDOK WINDOW LEVER HANDLE, RIGHT HAND, OPEN TO OUTSIDE

DESCRIPTION	NUMBER
Window lever handle, right hand, open to outside brass lacquered	W0100.5625.90
Window lever handle, right hand, open to outside brass unlacquered	W0200.5625.90
Window lever handle, right hand, open to outside brass antique	W0500.5625.90
Window lever handle, right hand, open to outside polished nickel	W1100.5625.90
Window lever handle, right hand, open to outside satin nickel unlacquered	W1300.5625.90
Window lever handle, right hand, open to outside polished chrome	W2100.5625.90
Window lever handle, right hand, open to outside satin chrome	W2300.5625.90
Window lever handle, right hand, open to outside matt black	W3000.5625.90

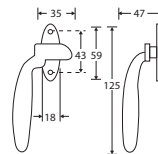


W1100.5625.90



DUDOK WINDOW LEVER HANDLE, LEFT HAND, OPEN TO OUTSIDE

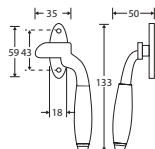
DESCRIPTION	NUMBER
Window lever handle, left hand, open to outside brass lacquered	W0100.5624.90
Window lever handle, left hand, open to outside brass unlacquered	W0200.5624.90
Window lever handle, left hand, open to outside brass antique	W0500.5624.90
Window lever handle, left hand, open to outside polished nickel	W1100.5624.90
Window lever handle, left hand, open to outside satin nickel unlacquered	W1300.5624.90
Window lever handle, left hand, open to outside polished chrome	W2100.5624.90
Window lever handle, left hand, open to outside satin chrome	W2300.5624.90
Window lever handle, left hand, open to outside matt black	W3000.5624.90



W1100.5624.90



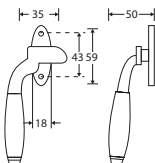
W1100.5563.90



BONTON WINDOW LEVER HANDLE, RIGHT HAND, OPEN TO OUTSIDE

DESCRIPTION	NUMBER
Window lever handle, right hand, open to outside brass unlacquered ebony	W0200.5563.90
Window lever handle, right hand, open to outside polished nickel ebony	W1100.5563.90
Window lever handle, right hand, open to outside antique nickel unlacquered ebony	W1600.5563.90

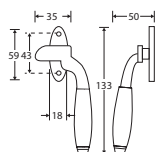
W1100.5562.90



BONTON WINDOW LEVER HANDLE, LEFT HAND, OPEN TO OUTSIDE

DESCRIPTION	NUMBER
Window lever handle, left hand, open to outside brass unlacquered ebony	W0200.5562.90
Window lever handle, left hand, open to outside polished nickel ebony	W1100.5562.90
Window lever handle, left hand, open to outside antique nickel unlacquered ebony	W1600.5562.90

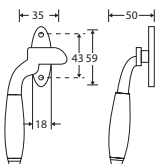
W0200.5588.90



BONTON WINDOW LEVER HANDLE, RIGHT HAND, OPEN TO OUTSIDE

DESCRIPTION	NUMBER
Window lever handle, right hand, open to outside brass unlacquered bubinga	W0200.5588.90

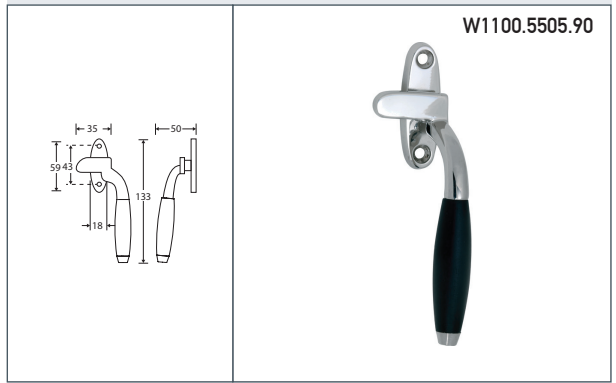
W0200.5587.90



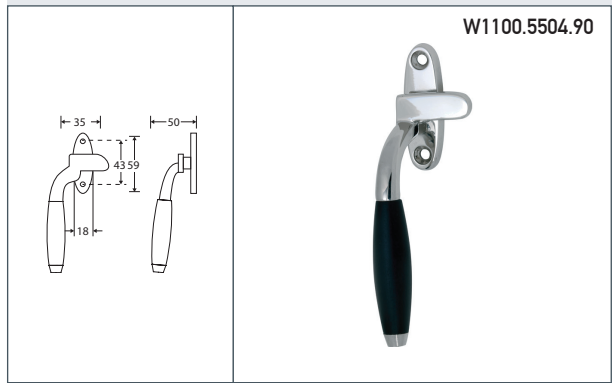
BONTON WINDOW LEVER HANDLE, LEFT HAND, OPEN TO OUTSIDE

DESCRIPTION	NUMBER
Window lever handle, left hand, open to outside brass unlacquered bubinga	W0200.5587.90

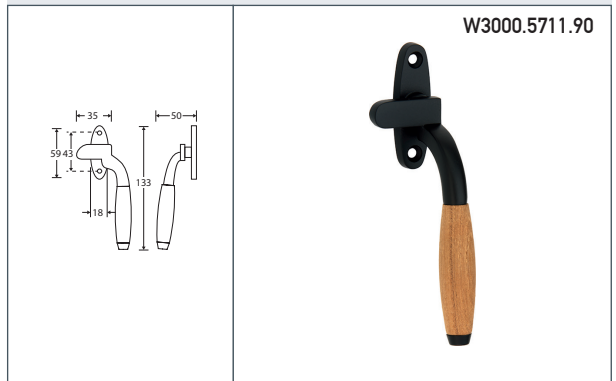
TON WINDOW LEVER HANDLE, RIGHT HAND, OPEN TO OUTSIDE	
DESCRIPTION	NUMBER
Window lever handle, right hand, open to outside brass lacquered ebony	W0100.5505.90
Window lever handle, right hand, open to outside brass unlacquered ebony	W0200.5505.90
Window lever handle, right hand, open to outside brass antique ebony	W0500.5505.90
Window lever handle, right hand, open to outside polished nickel ebony	W1100.5505.90
Window lever handle, right hand, open to outside satin nickel unlacquered ebony	W1300.5505.90
Window lever handle, right hand, open to outside antique nickel unlacquered ebony	W1600.5505.90
Window lever handle, right hand, open to outside satin chrome ebony	W2300.5505.90



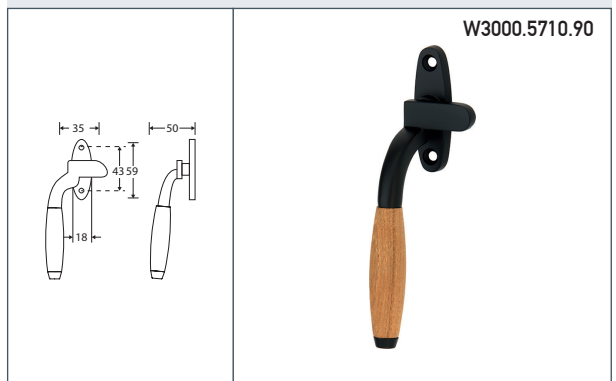
TON WINDOW LEVER HANDLE, LEFT HAND, OPEN TO OUTSIDE	
DESCRIPTION	NUMBER
Window lever handle, left hand, open to outside brass lacquered ebony	W0100.5504.90
Window lever handle, left hand, open to outside brass unlacquered ebony	W0200.5504.90
Window lever handle, left hand, open to outside brass antique ebony	W0500.5504.90
Window lever handle, left hand, open to outside polished nickel ebony	W1100.5504.90
Window lever handle, left hand, open to outside satin nickel unlacquered ebony	W1300.5504.90
Window lever handle, left hand, open to outside antique nickel unlacquered ebony	W1600.5504.90
Window lever handle, left hand, open to outside satin chrome ebony	W2300.5504.90



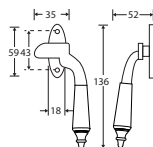
TON WINDOW LEVER HANDLE, RIGHT HAND, OPEN TO OUTSIDE	
DESCRIPTION	NUMBER
Window lever handle, right hand, open to outside matt black / teak	W3000.5711.90



TON WINDOW LEVER HANDLE, LEFT HAND, OPEN TO OUTSIDE	
DESCRIPTION	NUMBER
Window lever handle, left hand, open to outside matt black / teak	W3000.5710.90



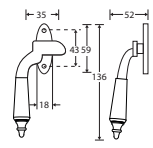
W1100.5513.90



ANTIQUE WINDOW LEVER HANDLE, RIGHT HAND, OPEN TO OUTSIDE

DESCRIPTION	NUMBER
Window lever handle, right hand, open to outside brass lacquered ebony	W0100.5513.90
Window lever handle, right hand, open to outside polished nickel ebony	W1100.5513.90
Window lever handle, right hand, open to outside antique nickel unlacquered ebony	W1600.5513.90

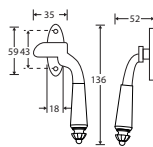
W1100.5512.90



ANTIQUE WINDOW LEVER HANDLE, LEFT HAND, OPEN TO OUTSIDE

DESCRIPTION	NUMBER
Window lever handle, left hand, open to outside brass lacquered ebony	W0100.5512.90
Window lever handle, left hand, open to outside polished nickel ebony	W1100.5512.90
Window lever handle, left hand, open to outside antique nickel unlacquered ebony	W1600.5512.90

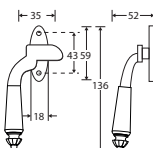
W1100.5515.90



NOUVEAU WINDOW LEVER HANDLE, RIGHT HAND, OPEN TO OUTSIDE

DESCRIPTION	NUMBER
Window lever handle, right hand, open to outside brass lacquered ebony	W0100.5515.90
Window lever handle, right hand, open to outside polished nickel ebony	W1100.5515.90
Window lever handle, right hand, open to outside antique nickel unlacquered ebony	W1600.5515.90

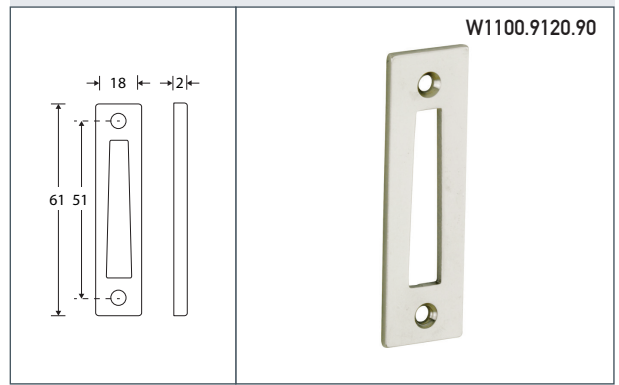
W1100.5514.90



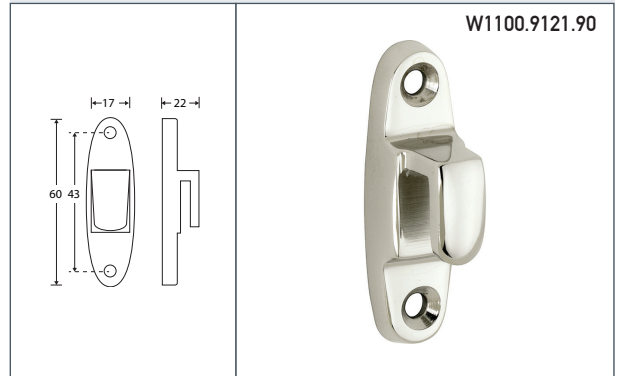
NOUVEAU WINDOW LEVER HANDLE, LEFT HAND, OPEN TO OUTSIDE

DESCRIPTION	NUMBER
Window lever handle, left hand, open to outside brass lacquered ebony	W0100.5514.90
Window lever handle, left hand, open to outside polished nickel ebony	W1100.5514.90
Window lever handle, left hand, open to outside antique nickel unlacquered ebony	W1600.5514.90

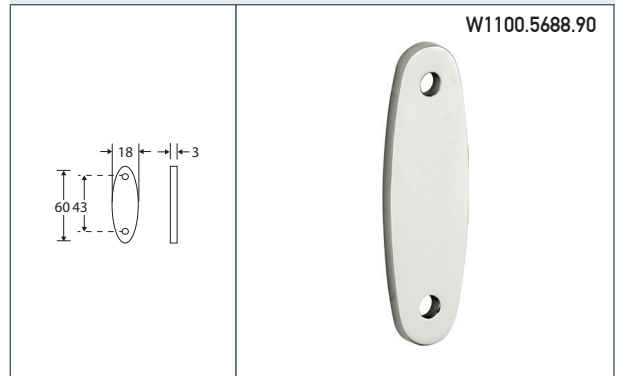
STRIKE PLATE FOR WINDOW HANDLE	
DESCRIPTION	NUMBER
Strike plate for window handle brass lacquered	W0100.9120.90
Strike plate for window handle brass unlacquered	W0200.9120.90
Strike plate for window handle brass antique	W0500.9120.90
Strike plate for window handle polished nickel	W1100.9120.90
Strike plate for window handle satin nickel unlacquered	W1300.9120.90
Strike plate for window handle antique nickel unlacquered	W1600.9120.90
Strike plate for window handle polished chrome	W2100.9120.90
Strike plate for window handle satin chrome	W2300.9120.90
Strike plate for window handle matt black	W3000.9120.90



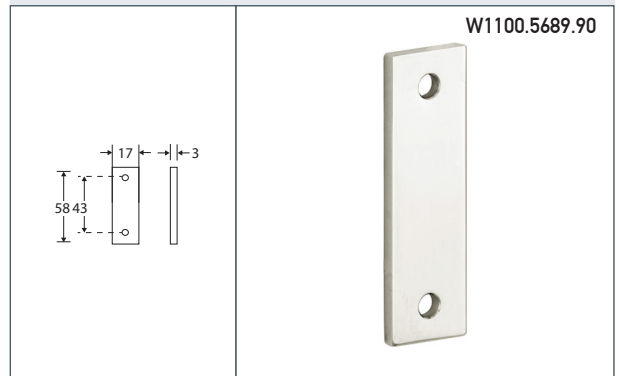
HASP FOR WINDOW LEVER HANDLE, OPEN TO INSIDE	
DESCRIPTION	NUMBER
Hasp for window lever handle, open to inside brass lacquered	W0100.9121.90
Hasp for window lever handle, open to inside brass unlacquered	W0200.9121.90
Hasp for window lever handle, open to inside brass antique	W0500.9121.90
Hasp for window lever handle, open to inside polished nickel	W1100.9121.90
Hasp for window lever handle, open to inside satin nickel unlacquered	W1300.9121.90
Hasp for window lever handle, open to inside antique nickel unlacquered	W1600.9121.90
Hasp for window lever handle, open to inside polished chrome	W2100.9121.90
Hasp for window lever handle, open to inside satin chrome	W2300.9121.90
Hasp for window lever handle, open to inside matt black	W3000.9121.90



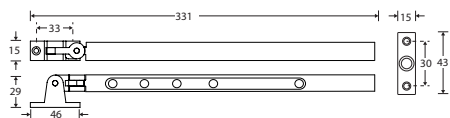
OVAL SHIM 3MM TBV WINDOW HANDLE	
DESCRIPTION	NUMBER
Shim 3mm tbv window handle brass lacquered	W0100.5688.90
Shim 3mm tbv window handle brass unlacquered	W0200.5688.90
Shim 3mm tbv window handle polished nickel	W1100.5688.90
Shim 3mm tbv window handle satin nickel unlacquered	W1300.5688.90
Shim 3mm tbv window handle polished chrome	W2100.5688.90
Shim 3mm tbv window handle satin chrome	W2300.5688.90
Shim 3mm tbv window handle matt black	W3000.5688.90



RECTANGULAR SHIM 3MM FOR WINDOW HANDLE	
DESCRIPTION	NUMBER
Shim 3mm for window handle brass unlacquered	W0200.5689.90
Shim 3mm for window handle polished nickel	W1100.5689.90
Shim 3mm for window handle satin nickel unlacquered	W1300.5689.90
Shim 3mm for window handle polished chrome	W2100.5689.90
Shim 3mm for window handle matt black	W3000.5689.90



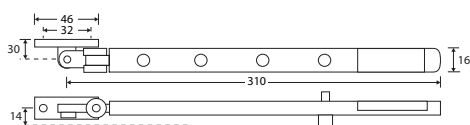
W1100.5536.90



KARE CASEMENT STAY WITH PIN

DESCRIPTION	NUMBER
Casement stay with pin brass lacquered	W0100.5536.90
Casement stay with pin polished nickel	W1100.5536.90
Casement stay with pin satin nickel unlacquered	W1300.5536.90
Casement stay with pin polished chrome	W2100.5536.90
Casement stay with pin satin chrome	W2300.5536.90
Casement stay with pin matt black	W3000.5536.90

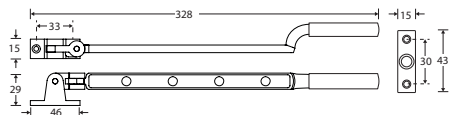
W1100.5632.90



DUAL CASEMENT STAY WITH PIN

DESCRIPTION	NUMBER
Casement stay with pin polished nickel ebony	W1100.5632.90
Casement stay with pin satin nickel unlacquered	W1300.5632.90

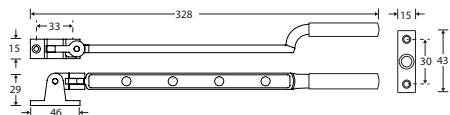
W1100.5538.90



BAUHAUS-STYLE CASEMENT STAY WITH PIN

DESCRIPTION	NUMBER
Casement stay with pin brass unlacquered	W0200.5538.90
Casement stay with pin brass antique	W0500.5538.90
Casement stay with pin polished nickel	W1100.5538.90
Casement stay with pin satin nickel unlacquered	W1300.5538.90
Casement stay with pin polished chrome	W2100.5538.90
Casement stay with pin matt black	W3000.5538.90

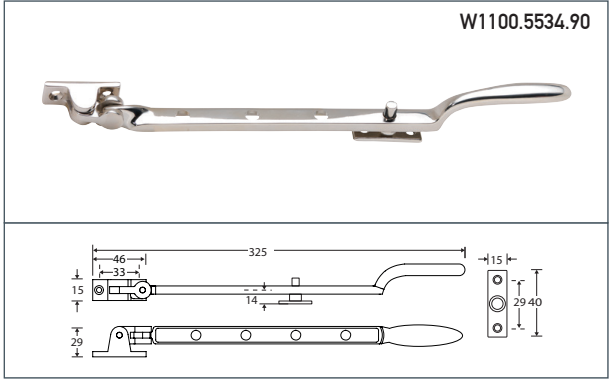
W1100.5539.90



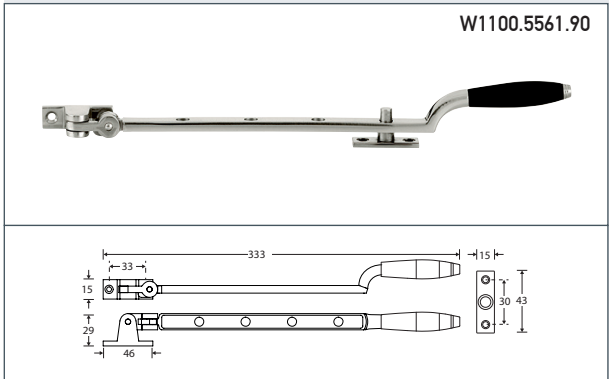
BAUHAUS-STYLE CASEMENT STAY WITH PIN

DESCRIPTION	NUMBER
Casement stay with pin brass unlacquered ebony	W0200.5539.90
Casement stay with pin brass antique ebony	W0500.5539.90
Casement stay with pin polished nickel ebony	W1100.5539.90
Casement stay with pin satin nickel unlacquered ebony	W1300.5539.90
Casement stay with pin polished chrome ebony	W2100.5539.90

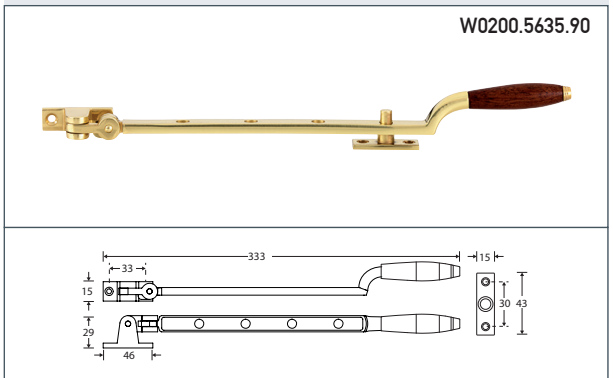
DUDOK CASEMENT STAY WITH PIN	
DESCRIPTION	NUMBER
Casement stay with pin brass lacquered	W0100.5534.90
Casement stay with pin brass unlacquered	W0200.5534.90
Casement stay with pin brass antique	W0500.5534.90
Casement stay with pin polished nickel	W1100.5534.90
Casement stay with pin satin nickel unlacquered	W1300.5534.90
Casement stay with pin polished chrome	W2100.5534.90
Casement stay with pin satin chrome	W2300.5534.90
Casement stay with pin matt black	W3000.5534.90



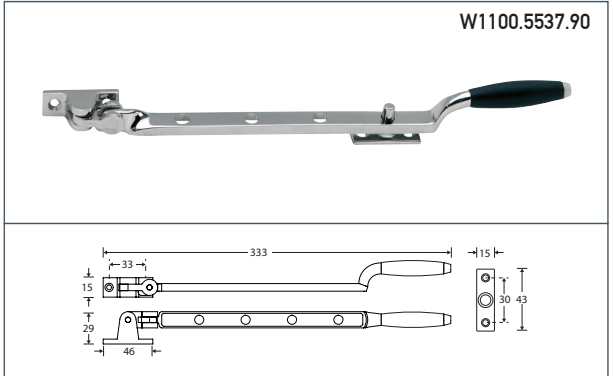
BONTON CASEMENT STAY WITH PIN	
DESCRIPTION	NUMBER
Casement stay with pin brass unlacquered ebony	W0200.5561.90
Casement stay with pin polished nickel ebony	W1100.5561.90
Casement stay with pin antique nickel unlacquered ebony	W1600.5561.90



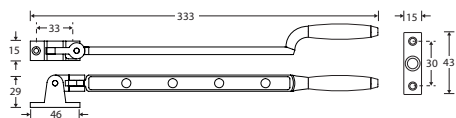
BONTON CASEMENT STAY WITH PIN	
DESCRIPTION	NUMBER
Casement stay with pin brass unlacquered bubinga	W0200.5635.90



TON CASEMENT STAY WITH PIN	
DESCRIPTION	NUMBER
Casement stay with pin brass lacquered ebony	W0100.5537.90
Casement stay with pin brass unlacquered ebony	W0200.5537.90
Casement stay with pin brass antique ebony	W0500.5537.90
Casement stay with pin polished nickel ebony	W1100.5537.90
Casement stay with pin satin nickel unlacquered ebony	W1300.5537.90
Casement stay with pin antique nickel unlacquered ebony	W1600.5537.90
Casement stay with pin satin chrome ebony	W2300.5537.90



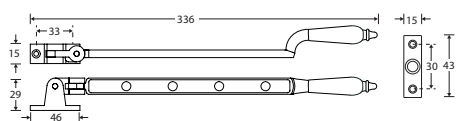
W3000.5709.90



TON CASEMENT STAY WITH PIN

DESCRIPTION	NUMBER
Casement stay with pin matt black / teak	W3000.5709.90

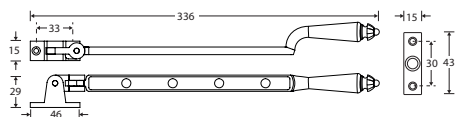
W1100.5540.90



ANTIQUÉ CASEMENT STAY WITH PIN

DESCRIPTION	NUMBER
Casement stay with pin brass lacquered ebony	W0100.5540.90
Casement stay with pin polished nickel ebony	W1100.5540.90
Casement stay with pin antique nickel unlacquered ebony	W1600.5540.90

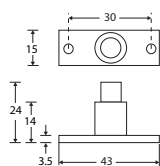
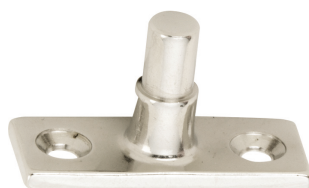
W1100.5541.90



NOUVEAU CASEMENT STAY WITH PIN

DESCRIPTION	NUMBER
Casement stay with pin brass lacquered ebony	W0100.5541.90
Casement stay with pin polished nickel ebony	W1100.5541.90
Casement stay with pin antique nickel unlacquered ebony	W1600.5541.90

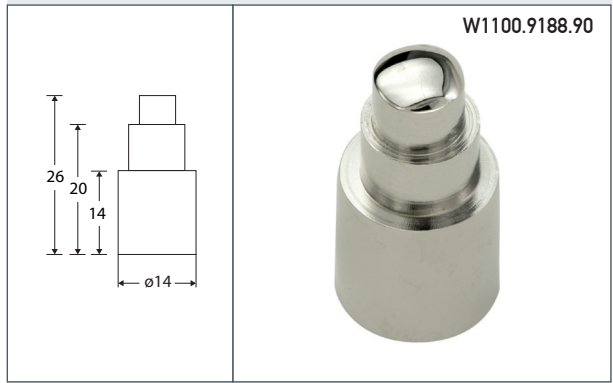
W1100.9187.90



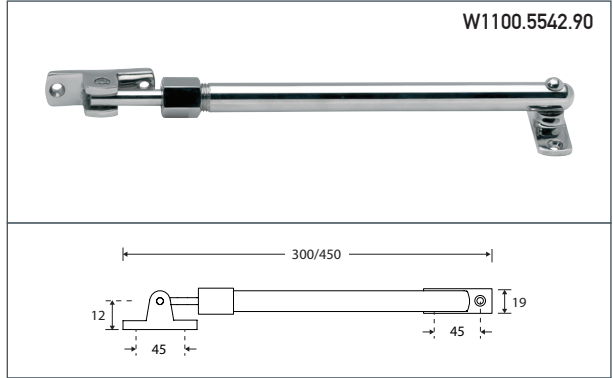
PIN FOR CASEMENT STAY

DESCRIPTION	NUMBER
Pin for casement stay brass lacquered	W0100.9187.90
Pin for casement stay brass unlacquered	W0200.9187.90
Pin for casement stay brass antique	W0500.9187.90
Pin for casement stay polished nickel	W1100.9187.90
Pin for casement stay satin nickel unlacquered	W1300.9187.90
Pin for casement stay antique nickel unlacquered	W1600.9187.90
Pin for casement stay polished chrome	W2100.9187.90
Pin for casement stay satin chrome	W2300.9187.90
Pin for casement stay matt black	W3000.9187.90

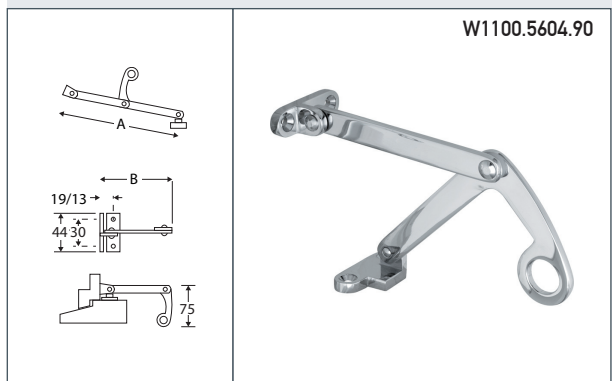
DUAL PIN FOR CASEMENT STAY	
DESCRIPTION	NUMBER
Pin for casement stay polished nickel	W1100.9188.90
Pin for casement stay satin nickel unlacquered	W1300.9188.90



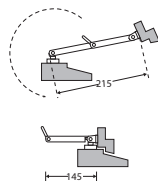
TELESCOPIC CASEMENT STAY	
DESCRIPTION	NUMBER
Telescopic casement stay brass lacquered	W0100.5542.90
Telescopic casement stay brass unlacquered	W0200.5542.90
Telescopic casement stay brass antique	W0500.5542.90
Telescopic casement stay polished nickel	W1100.5542.90
Telescopic casement stay satin nickel unlacquered	W1300.5542.90
Telescopic casement stay polished chrome	W2100.5542.90
Telescopic casement stay satin chrome	W2300.5542.90
Telescopic casement stay matt black	W3000.5542.90



ELEGANT AWNING WINDOW OPERATOR			
DESCRIPTION	A	B	NUMBER
Awning window operator brass lacquered	125 mm	97 mm	W0100.5604.90
Awning window operator brass lacquered	175 mm	115 mm	W0100.5605.90
Awning window operator brass unlacquered	125 mm	97 mm	W0200.5604.90
Awning window operator brass unlacquered	175 mm	115 mm	W0200.5605.90
Awning window operator polished nickel	125 mm	97 mm	W1100.5604.90
Awning window operator polished nickel	175 mm	115 mm	W1100.5605.90
Awning window operator satin nickel unlacquered	125 mm	97 mm	W1300.5604.90
Awning window operator satin nickel unlacquered	175 mm	115 mm	W1300.5605.90
Awning window operator polished chrome	125 mm	97 mm	W2100.5604.90
Awning window operator polished chrome	175 mm	115 mm	W2100.5605.90
Awning window operator satin chrome	125 mm	97 mm	W2300.5604.90
Awning window operator satin chrome	175 mm	115 mm	W2300.5605.90
Awning window operator matt black	125 mm	97 mm	W3000.5604.90
Awning window operator matt black	175 mm	115 mm	W3000.5605.90



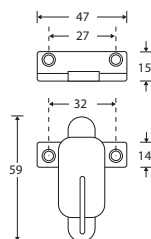
W1100.5681.90



AWNING WINDOW OPERATOR ROTATABLE

DESCRIPTION	NUMBER
Awning window operator rotatable brass unlacquered	W0200.5681.90
Awning window operator rotatable brass antique	W0500.5681.90
Awning window operator rotatable polished nickel	W1100.5681.90
Awning window operator rotatable satin nickel unlacquered	W1300.5681.90
Awning window operator rotatable polished chrome	W2100.5681.90
Awning window operator rotatable matt black	W3000.5681.90

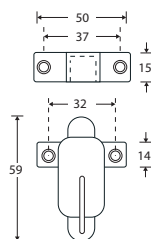
W1100.5606.90



ELEGANT FANLIGHT CATCH WITH STRIKE PLATE

DESCRIPTION	NUMBER
Fanlight catch with strike plate brass lacquered	W0100.5606.90
Fanlight catch with strike plate polished nickel	W1100.5606.90
Fanlight catch with strike plate satin nickel unlacquered	W1300.5606.90
Fanlight catch with strike plate polished chrome	W2100.5606.90
Fanlight catch with strike plate satin chrome	W2300.5606.90

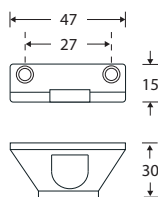
W1100.5607.90



ELEGANT FANLIGHT CATCH WITH END CATCH

DESCRIPTION	NUMBER
Fanlight catch with end catch brass lacquered	W0100.5607.90
Fanlight catch with end catch polished nickel	W1100.5607.90
Fanlight catch with end catch satin nickel unlacquered	W1300.5607.90
Fanlight catch with end catch polished chrome	W2100.5607.90
Fanlight catch with end catch satin chrome	W2300.5607.90

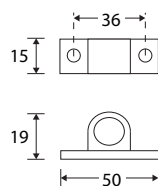
W1100.5685.90



STRIKE PLATE FOR FANLIGHT CATCH

DESCRIPTION	NUMBER
Strike plate for Fanlight catch brass lacquered	W0100.5685.90
Strike plate for Fanlight catch polished nickel	W1100.5685.90
Strike plate for Fanlight catch satin nickel unlacquered	W1300.5685.90
Strike plate for Fanlight catch polished chrome	W2100.5685.90
Strike plate for Fanlight catch satin chrome	W2300.5685.90

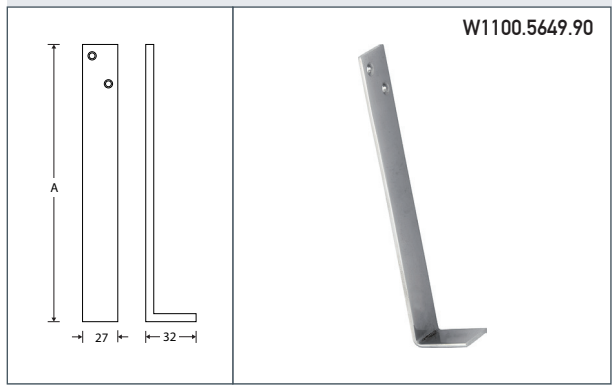
W1100.5686.90



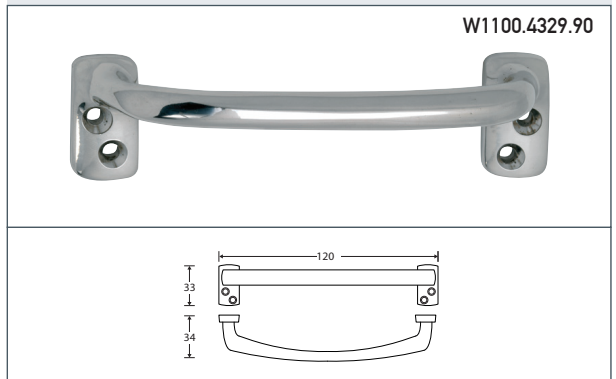
END CATCH FOR FANLIGHT CATCH

DESCRIPTION	NUMBER
End catch for Fanlight catch brass lacquered	W0100.5686.90
End catch for Fanlight catch polished nickel	W1100.5686.90
End catch for Fanlight catch satin nickel unlacquered	W1300.5686.90
End catch for Fanlight catch polished chrome	W2100.5686.90
End catch for Fanlight catch satin chrome	W2300.5686.90

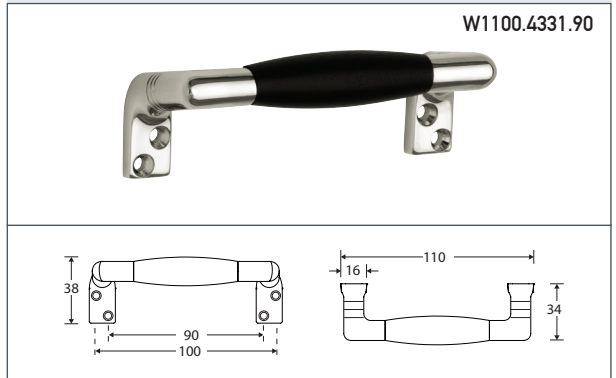
ELEGANT WINDOW LIMITER		
DESCRIPTION	A	NUMBER
Window limiter brass lacquered	160 mm	W0100.5649.90
Window limiter brass lacquered	180 mm	W0100.5650.90
Window limiter polished nickel	160 mm	W1100.5649.90
Window limiter polished nickel	180 mm	W1100.5650.90
Window limiter satin nickel unlacquered	160 mm	W1300.5649.90
Window limiter satin nickel unlacquered	180 mm	W1300.5650.90
Window limiter polished chrome	160 mm	W2100.5649.90
Window limiter polished chrome	180 mm	W2100.5650.90
Window limiter satin chrome	160 mm	W2300.5649.90
Window limiter satin chrome	180 mm	W2300.5650.90



ELEGANT SASH WINDOW HANDLE	
DESCRIPTION	NUMBER
Sash window handle brass lacquered	W0100.4329.90
Sash window handle brass unlacquered	W0200.4329.90
Sash window handle polished nickel	W1100.4329.90
Sash window handle satin nickel unlacquered	W1300.4329.90
Sash window handle polished chrome	W2100.4329.90
Sash window handle satin chrome	W2300.4329.90
Sash window handle matt black	W3000.4329.90



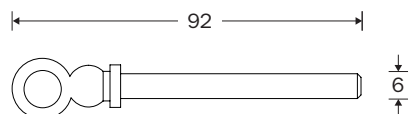
TON SASH WINDOW HANDLE	
DESCRIPTION	NUMBER
Sash window handle brass lacquered ebony	W0100.4331.90
Sash window handle brass unlacquered ebony	W0200.4331.90
Sash window handle brass antique ebony	W0500.4331.90
Sash window handle polished nickel ebony	W1100.4331.90
Sash window handle satin nickel unlacquered ebony	W1300.4331.90
Sash window handle antique nickel unlacquered ebony	W1600.4331.90
Sash window handle satin chrome ebony	W2300.4331.90
Sash window handle brass unlacquered bubinga	W0200.4347.90



WINDOW SCISSOR		
DESCRIPTION	A	NUMBER
Window scissor brass unlacquered	90 mm	W0200.5608.90
Window scissor brass unlacquered	140 mm	W0200.5609.90
Window scissor polished nickel	90 mm	W1100.5608.90
Window scissor polished nickel	140 mm	W1100.5609.90



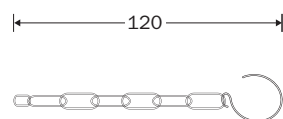
W1100.5597.90



WINDOW PIN WITHOUT CHAIN

DESCRIPTION	NUMBER
Window pin without chain brass unlacquered	W0200.5597.90
Window pin without chain polished nickel	W1100.5597.90

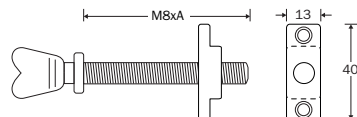
W1100.5598.90



CHAIN FOR WINDOW PIN

DESCRIPTION	NUMBER
Chain for window pin brass unlacquered	W0200.5598.90
Chain for window pin polished nickel	W1100.5598.90

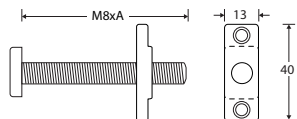
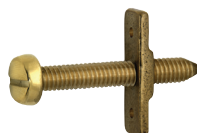
W1100.5599.90



HEART SASH WINDOW FIXING SCREW

DESCRIPTION	NUMBER
Sash window fixing screw heart brass unlacquered	W0200.5599.90
Sash window fixing screw heart polished nickel	W1100.5599.90

W0200.5601.90

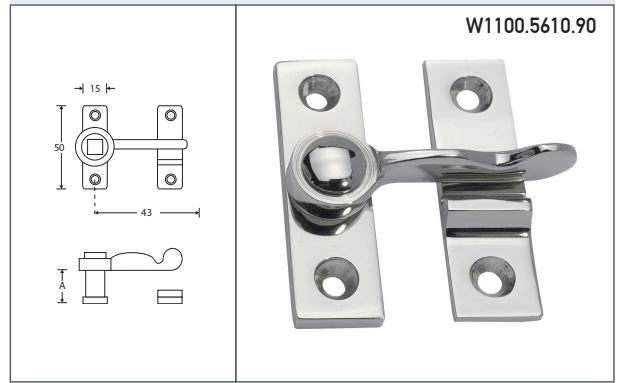


BALL SASH WINDOW FIXING SCREW

DESCRIPTION	NUMBER
Sash window fixing screw round brass unlacquered	W0200.5601.90

ELEGANT SHOWCASE FASTNER

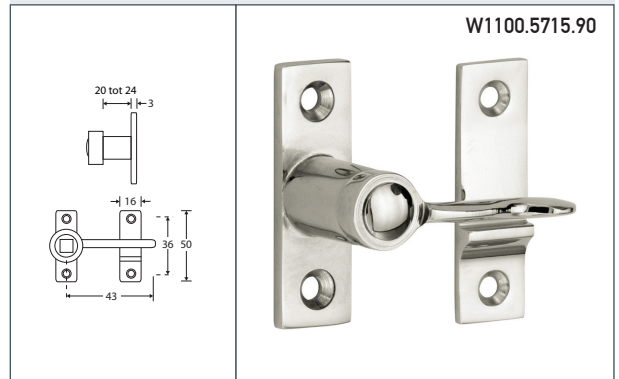
DESCRIPTION	A	NUMBER
Showcase fastner brass lacquered	0 mm	W0100.5610.90
Showcase fastner brass lacquered	15 mm	W0100.5611.90
Showcase fastner brass lacquered	20 mm	W0100.5612.90
Showcase fastner brass lacquered	22 mm	W0100.5613.90
Showcase fastner polished nickel	0 mm	W1100.5610.90
Showcase fastner polished nickel	15 mm	W1100.5611.90
Showcase fastner polished nickel	20 mm	W1100.5612.90
Showcase fastner polished nickel	22 mm	W1100.5613.90
Showcase fastner satin chrome	0 mm	W2300.5610.90
Showcase fastner satin chrome	15 mm	W2300.5611.90
Showcase fastner satin chrome	20 mm	W2300.5612.90
Showcase fastner satin chrome	22 mm	W2300.5613.90



W1100.5610.90

ELEGANT SHOWCASE FASTNER WITH SPRING

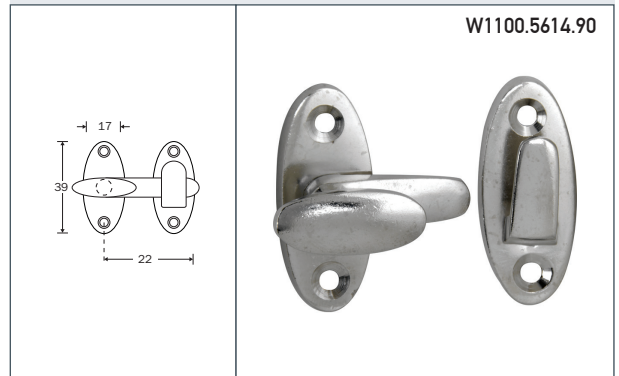
DESCRIPTION	NUMBER
Showcase fastner with spring brass lacquered	W0100.5715.90
Showcase fastner with spring polished nickel	W1100.5715.90
Showcase fastner with spring satin nickel unlacquered	W1300.5715.90
Showcase fastner with spring polished chrome	W2100.5715.90



W1100.5715.90

WINDOW SASH LOCK

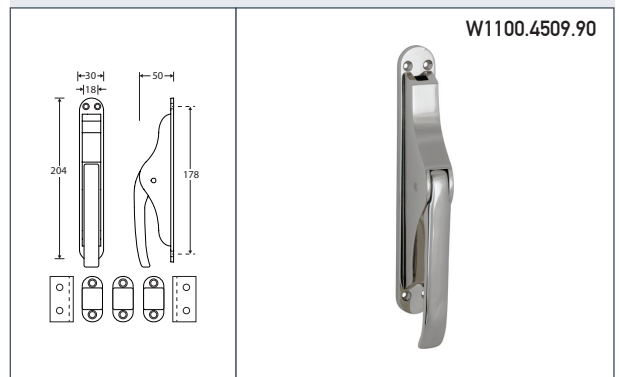
DESCRIPTION	NUMBER
window sash lock brass lacquered	W0100.5614.90
window sash lock polished nickel	W1100.5614.90



W1100.5614.90

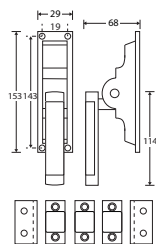
ELEGANT PUMP ESPAGNOLETTE COMPLETE WITH BARS

DESCRIPTION	NUMBER
Pump espagnolette complete with bars brass lacquered	W0100.4509.90
Pump espagnolette complete, with bars brass unlacquered	W0200.4509.90
Pump espagnolette complete with bars polished nickel	W1100.4509.90
Pump espagnolette complete with bars satin nickel unlacquered	W1300.4509.90
Pump espagnolette complete with bars polished chrome	W2100.4509.90
Pump espagnolette complete with bars satin chrome	W2300.4509.90
Pump espagnolette complete with bars matt black	W3000.4509.90



W1100.4509.90

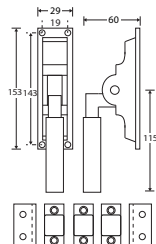
W1100.5637.90



DUAL PUMP ESPAGNOLETTE COMPLETE WITH BARS

DESCRIPTION	NUMBER
Pump espagnolette complete with bars polished nickel ebony	W1100.5637.90
Pump espagnolette complete with bars satin nickel unlacquered ebony	W1300.5637.90

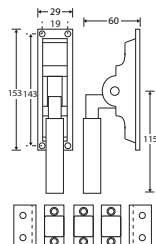
W1100.4505.90



BAUHAUS-STYLE PUMP ESPAGNOLETTE COMPLETE WITH BARS

DESCRIPTION	NUMBER
Pump espagnolette complete with bars brass unlacquered	W0200.4505.90
Pump espagnolette complete with bars brass antique	W0500.4505.90
Pump espagnolette complete with bars polished nickel	W1100.4505.90
Pump espagnolette complete with bars satin nickel unlacquered	W1300.4505.90
Pump espagnolette complete with bars polished chrome	W2100.4505.90
Pump espagnolette complete with bars matt black	W3000.4505.90

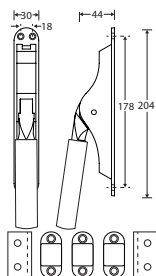
W1100.4522.90



BAUHAUS-STYLE PUMP ESPAGNOLETTE COMPLETE WITH BARS

DESCRIPTION	NUMBER
Pump espagnolette complete with bars polished nickel ebony	W0200.4522.90
Pump espagnolette complete with bars polished nickel ebony	W0500.4522.90
Pump espagnolette complete with bars polished nickel ebony	W1100.4522.90
Pump espagnolette complete with bars satin nickel unlacquered ebony	W1300.4522.90
Pump espagnolette complete with bars polished nickel ebony	W2100.4522.90

W1100.4512.90

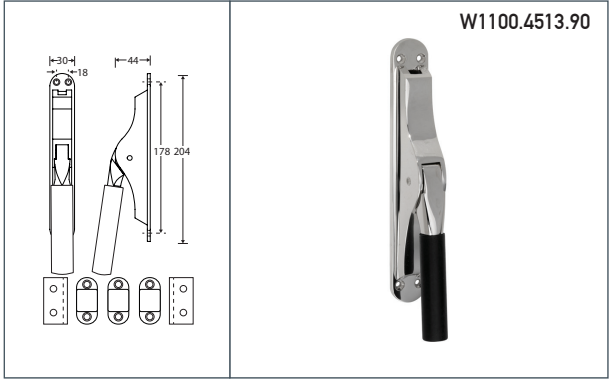


FRANKFURT PUMP ESPAGNOLETTE COMPLETE WITH BARS

DESCRIPTION	NUMBER
Pump espagnolette complete with bars brass unlacquered	W0200.4512.90
Pump espagnolette complete with bars brass antique	W0500.4512.90
Pump espagnolette complete with bars polished nickel	W1100.4512.90
Pump espagnolette complete with bars satin nickel unlacquered	W1300.4512.90

FRANKFURT PUMP ESPAGNOLETTE COMPLETE WITH BARS

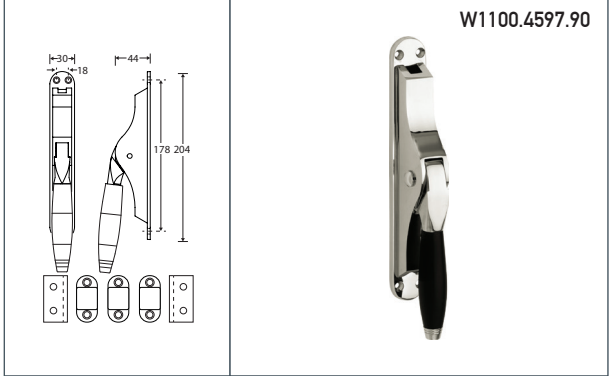
DESCRIPTION	NUMBER
Pump espagnolette complete with bars brass unlacquered ebony	W0200.4513.90
Pump espagnolette complete with bars brass antique ebony	W0500.4513.90
Pump espagnolette complete with bars polished nickel ebony	W1100.4513.90
Pump espagnolette complete with bars satin nickel unlacquered ebony	W1300.4513.90



W1100.4513.90

BONTON PUMP ESPAGNOLETTE COMPLETE WITH BARS

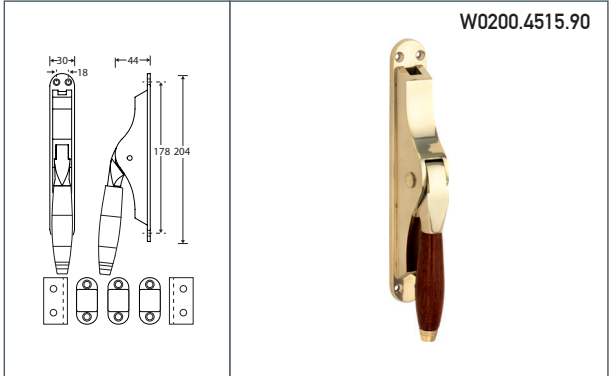
DESCRIPTION	NUMBER
Pump espagnolette complete with bars brass unlacquered ebony	W0200.4597.90
Pump espagnolette complete with bars polished nickel ebony	W1100.4597.90
Pump espagnolette complete with bars antique nickel unlacquered ebony	W1600.4597.90



W1100.4597.90

BONTON PUMP ESPAGNOLETTE COMPLETE WITH BARS

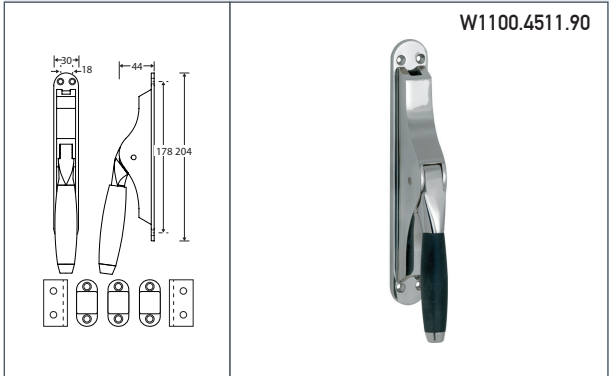
DESCRIPTION	NUMBER
Pump espagnolette complete with bars brass unlacquered bubinga	W0200.4515.90



W0200.4515.90

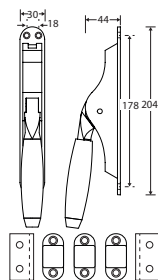
TON PUMP ESPAGNOLETTE COMPLETE WITH BARS

DESCRIPTION	NUMBER
Pump espagnolette complete with bars brass lacquered ebony	W0100.4511.90
Pump espagnolette complete with bars brass unlacquered ebony	W0200.4511.90
Pump espagnolette complete with bars brass antique ebony	W0500.4511.90
Pump espagnolette complete with bars polished nickel ebony	W1100.4511.90
Pump espagnolette complete with bars satin nickel unlacquered ebony	W1300.4511.90
Pump espagnolette complete with bars antique nickel unlacquered ebony	W1600.4511.90
Pump espagnolette complete with bars satin chrome ebony	W2300.4511.90



W1100.4511.90

W3000.4510.90

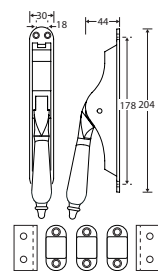


TON PUMP ESPAGNOLETTE COMPLETE WITH BARS

DESCRIPTION NUMBER

Pump espagnolette complete with bars matt black / teak W3000.4510.90

W1100.4514.90



ANTIQUE PUMP ESPAGNOLETTE COMPLETE WITH BARS

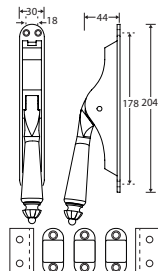
DESCRIPTION NUMBER

Pump espagnolette complete with bars brass lacquered ebony W0100.4514.90

Pump espagnolette complete with bars polished nickel ebony W1100.4514.90

Pump espagnolette complete with bars antique nickel unlacquered ebony W1600.4514.90

W1100.4516.90



NOUVEAU PUMP ESPAGNOLETTE COMPLETE WITH BARS

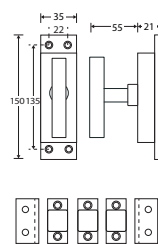
DESCRIPTION NUMBER

Pump espagnolette complete with bars brass lacquered ebony W0100.4516.90

Pump espagnolette complete with bars polished nickel ebony W1100.4516.90

Pump espagnolette complete with bars antique nickel unlacquered ebony W1600.4516.90

W1100.5651.90



KARE LEVER ESPAGNOLETTE T COMPLETE WITH BARS

DESCRIPTION NUMBER

Lever espagnolette T complete, with bars brass lacquered W0100.5651.90

Lever espagnolette T complete, with bars polished nickel ebony W1100.5651.90

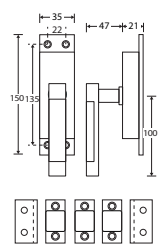
Lever espagnolette T complete, with bars satin nickel unlacquered W1300.5651.90

Lever espagnolette T complete, with bars polished chrome W2100.5651.90

Lever espagnolette T complete, with bars satin chrome W2300.5651.90

Lever espagnolette T complete, with bars matt black W3000.5651.90

W1100.5634.90



DUAL LEVER ESPAGNOLETTE COMPLETE WITH BARS

DESCRIPTION NUMBER

Lever espagnolette complete, right hand with bars polished nickel ebony W1100.5634.90

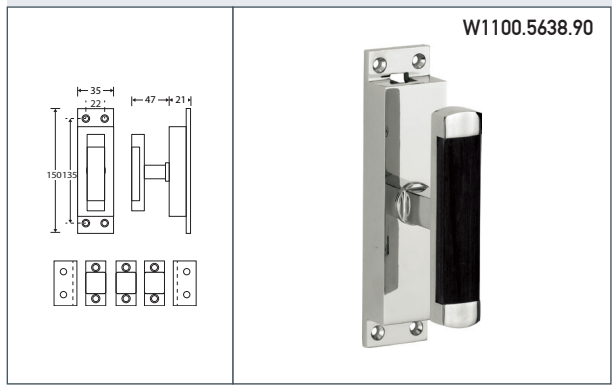
Lever espagnolette complete, left hand with bars polished nickel ebony W1100.5633.90

Lever espagnolette complete, right hand with bars satin nickel unlacquered ebony W1300.5634.90

Lever espagnolette complete, left hand with bars satin nickel unlacquered ebony W1300.5633.90

DUAL LEVER ESPAGNOLETTE T COMPLETE WITH BARS

DESCRIPTION	NUMBER
Lever espagnolette T complete, with bars polished nickel ebony	W1100.5638.90
Lever espagnolette T complete, with bars satin nickel unlacquered ebony	W1300.5638.90



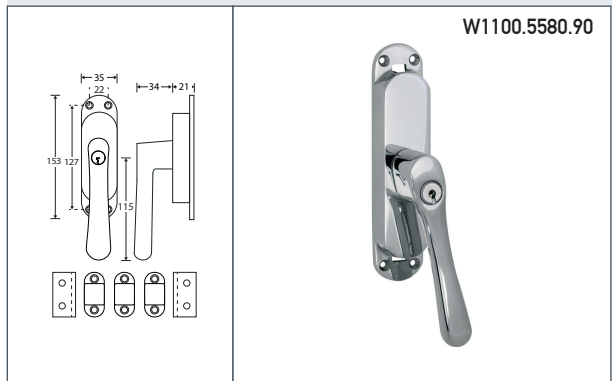
DUAL LEVER ESPAGNOLETTE COMPLETE LOCKABLE WITH BARS

DESCRIPTION	NUMBER
Lever espagnolette complete lockable, right hand polished nickel ebony	W1100.5639.90
Lever espagnolette complete lockable, left hand polished nickel ebony	W1100.5652.90
Lever espagnolette complete lockable, right hand satin nickel unlacquered ebony	W1300.5639.90
Lever espagnolette complete lockable, left hand satin nickel unlacquered ebony	W1300.5652.90

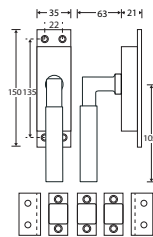


LINEA LEVER ESPAGNOLETTE COMPLETE LOCKABLE WITH BARS

DESCRIPTION	NUMBER
Lever espagnolette complete lockable, right hand brass lacquered	W0100.5580.90
Lever espagnolette complete lockable, left hand brass lacquered	W0100.5579.90
Lever espagnolette complete lockable, right hand brass unlacquered	W0200.5580.90
Lever espagnolette complete lockable, left hand brass unlacquered	W0200.5579.90
Lever espagnolette complete lockable, right hand brass antique	W0500.5580.90
Lever espagnolette complete lockable, left hand brass antique	W0500.5579.90
Lever espagnolette complete lockable, right hand polished nickel	W1100.5580.90
Lever espagnolette complete lockable, left hand polished nickel	W1100.5579.90
Lever espagnolette complete lockable, right hand satin nickel unlacquered	W1300.5580.90
Lever espagnolette complete lockable, left hand satin nickel unlacquered	W1300.5579.90
Lever espagnolette complete lockable, right hand polished chrome	W2100.5580.90
Lever espagnolette complete lockable, left hand polished chrome	W2100.5579.90
Lever espagnolette complete lockable, right hand satin chrome	W2300.5580.90
Lever espagnolette complete lockable, left hand matt chrome	W2300.5579.90
Lever espagnolette complete lockable, right hand matt black	W3000.5580.90
Lever espagnolette complete lockable, left hand matt black	W3000.5579.90



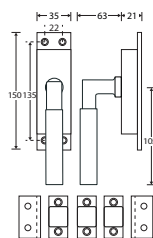
W1100.5724.90



BAUHAUS-STYLE LEVER ESPAGNOLETTE COMPLETE WITH BARS

DESCRIPTION	NUMBER
Lever espagnolette complete, right hand with bars brass unlacquered	W0200.5724.90
Lever espagnolette complete, left hand with bars polished nickel	W0200.5723.90
Lever espagnolette complete, right hand with bars brass antique	W0500.5724.90
Lever espagnolette complete, left hand with bars polished nickel	W0500.5723.90
Lever espagnolette complete, right hand with bars polished nickel	W1100.5724.90
Lever espagnolette complete, left hand with bars polished nickel	W1100.5723.90
Lever espagnolette complete, right hand with bars satin nickel unlacquered	W1300.5724.90
Lever espagnolette complete, left hand with bars satin nickel unlacquered	W1300.5723.90
Lever espagnolette complete, right hand with bars polished chrome	W2100.5724.90
Lever espagnolette complete, left hand with bars polished chrome	W2100.5723.90
Lever espagnolette complete, right hand with bars matt black	W3000.5724.90
Lever espagnolette complete, left hand with bars matt black	W3000.5723.90

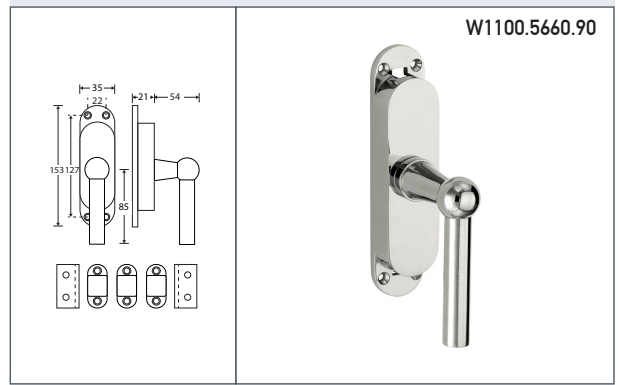
W1100.5726.90



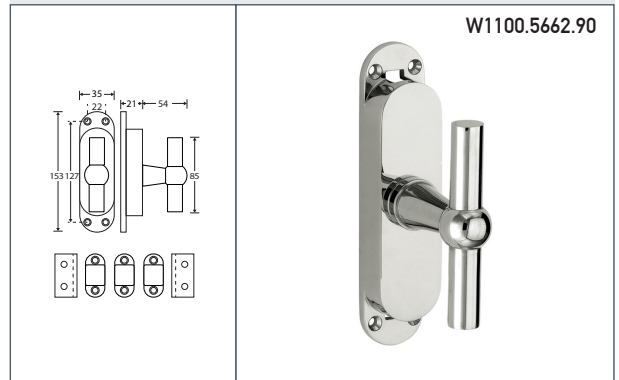
BAUHAUS-STYLE LEVER ESPAGNOLETTE COMPLETE WITH BARS

DESCRIPTION	NUMBER
Lever espagnolette complete, right hand with bars brass unlacquered ebony	W0200.5726.90
Lever espagnolette complete, left hand with bars brass unlacquered ebony	W0200.5725.90
Lever espagnolette complete, right hand with bars brass antique ebony	W0500.5726.90
Lever espagnolette complete, left hand with bars brass antique ebony	W0500.5725.90
Lever espagnolette complete, right hand with bars polished nickel ebony	W1100.5726.90
Lever espagnolette complete, left hand with bars polished nickel ebony	W1100.5725.90
Lever espagnolette complete, right hand with bars satin nickel unlacquered ebony	W1300.5726.90
Lever espagnolette complete, left hand with bars satin nickel unlacquered ebony	W1300.5725.90
Lever espagnolette complete, right hand with bars polished chrome ebony	W2100.5726.90
Lever espagnolette complete, left hand with bars polished chrome / ebony	W2100.5725.90

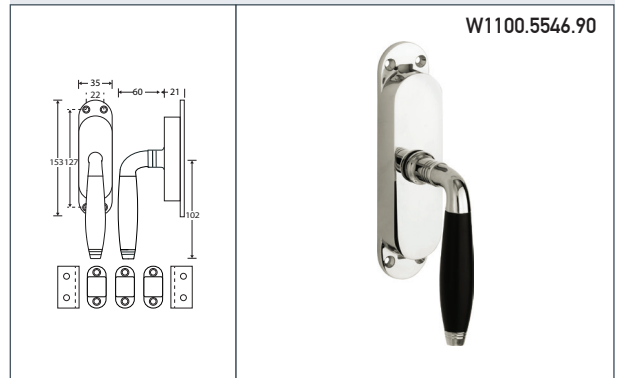
CHEMIN DE FER LEVER ESPAGNOLETTE COMPLETE WITH BARS	
DESCRIPTION	NUMBER
Lever espagnolette complete, right hand with bars brass unlacquered	W0200.5660.90
Lever espagnolette complete, left hand with bars brass unlacquered	W0200.5659.90
Lever espagnolette complete, right hand with bars brass antique	W0500.5660.90
Lever espagnolette complete, left hand with bars brass antique	W0500.5659.90
Lever espagnolette complete, right hand with bars polished nickel	W1100.5660.90
Lever espagnolette complete, left hand with bars polished nickel	W1100.5659.90
Lever espagnolette complete, right hand with bars satin nickel unlacquered	W1300.5660.90
Lever espagnolette complete, left hand with bars satin nickel unlacquered	W1300.5659.90
Lever espagnolette complete, right hand with bars matt black	W3000.5660.90
Lever espagnolette complete, left hand with bars matt black	W3000.5659.90



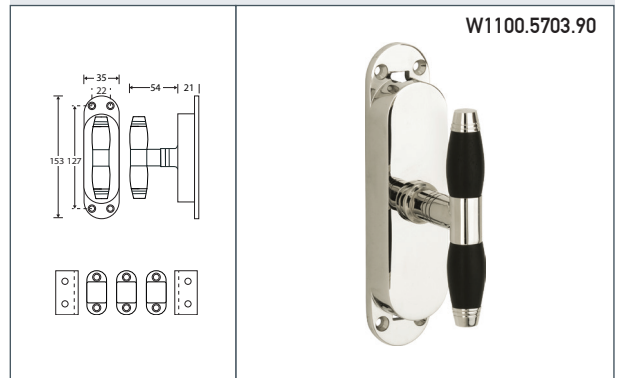
CHEMIN DE FER LEVER ESPAGNOLETTE T COMPLETE WITH BARS	
DESCRIPTION	NUMBER
Lever espagnolette T complete, with bars brass unlacquered	W0200.5662.90
Lever espagnolette T complete, with bars brass antique	W0500.5662.90
Lever espagnolette T complete, with bars polished nickel	W1100.5662.90
Lever espagnolette T complete, with bars satin nickel unlacquered	W1300.5662.90
Lever espagnolette T complete, with bars matt black	W3000.5662.90



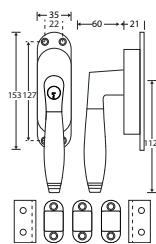
BONTON LEVER ESPAGNOLETTE COMPLETE WITH BARS	
DESCRIPTION	NUMBER
Lever espagnolette complete, right hand with bars brass unlacquered ebony	W0200.5546.90
Lever espagnolette complete, left hand with bars brass unlacquered ebony	W0200.5545.90
Lever espagnolette complete, right hand with bars polished nickel ebony	W1100.5546.90
Lever espagnolette complete, left hand with bars polished nickel ebony	W1100.5545.90
Lever espagnolette complete, right hand with bars antique nickel unlacquered ebony	W1600.5546.90
Lever espagnolette complete, left hand with bars antique nickel unlacquered ebony	W1600.5545.90



BONTON LEVER ESPAGNOLETTE T COMPLETE WITH BARS	
DESCRIPTION	NUMBER
Lever espagnolette T complete, with bars brass unlacquered ebony	W0200.5703.90
Lever espagnolette T complete, with bars polished nickel ebony	W1100.5703.90
Lever espagnolette T complete, with bars antique nickel unlacquered ebony	W1600.5703.90



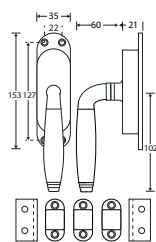
W1100.5716.90



BONTON LEVER ESPAGNOLETTE COMPLETE LOCKABLE WITH BARS

DESCRIPTION	NUMBER
Lever espagnolette complete lockable, right hand with bars brass unlacquered ebony	W0200.5716.90
Lever espagnolette complete lockable, left hand with bars brass unlacquered ebony	W0200.5665.90
Lever espagnolette complete lockable, right hand with bars polished nickel ebony	W1100.5716.90
Lever espagnolette complete lockable, left hand with bars polished nickel ebony	W1100.5665.90
Lever espagnolette complete lockable, right hand with bars antique nickel unlacquered ebony	W1600.5716.90
Lever espagnolette complete lockable, left hand with bars antique nickel unlacquered ebony	W1600.5665.90

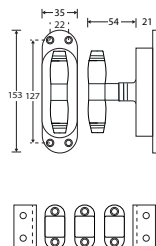
W0200.5517.90



BONTON LEVER ESPAGNOLETTE COMPLETE WITH BARS

DESCRIPTION	NUMBER
Lever espagnolette complete, right hand with bars brass unlacquered bubinga	W0200.5517.90
Lever espagnolette complete, left hand with bars brass unlacquered bubinga	W0200.5516.90

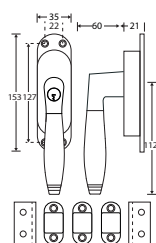
W0200.5704.90



BONTON LEVER ESPAGNOLETTE T COMPLETE WITH BARS

DESCRIPTION	NUMBER
Lever espagnolette T complete, with bars brass unlacquered bubinga	W0200.5704.90

W0200.5717.90



BONTON LEVER ESPAGNOLETTE COMPLETE LOCKABLE WITH BARS

DESCRIPTION	NUMBER
Lever espagnolette complete lockable, right hand brass unlacquered bubinga	W0200.5717.90
Lever espagnolette complete lockable, left hand brass unlacquered bubinga	W0200.5666.90

TON LEVER ESPAGNOLETTE COMPLETE WITH BARS

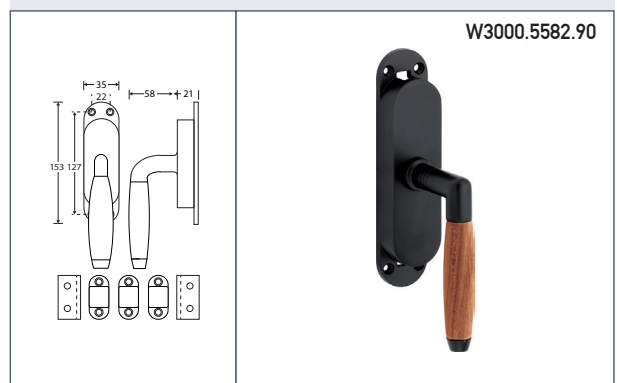
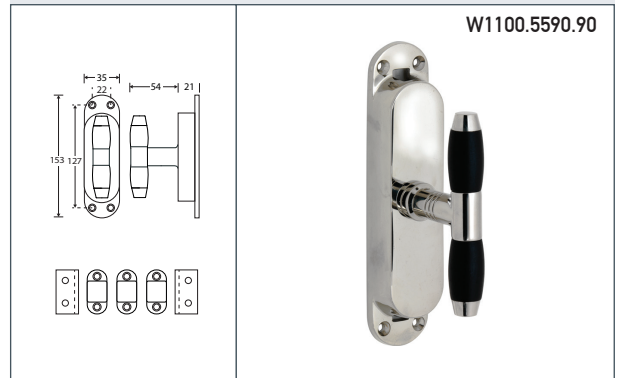
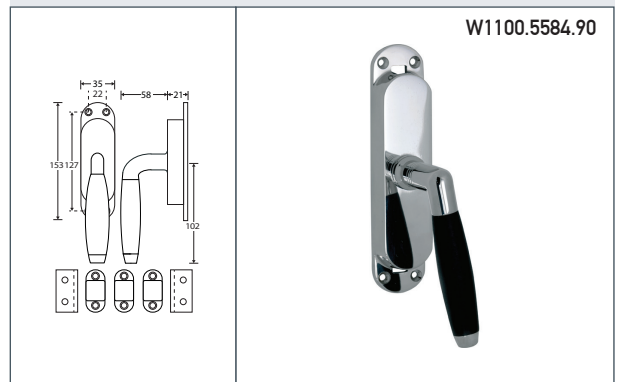
DESCRIPTION	NUMBER
Lever espagnolette complete, left hand with bars brass lacquered ebony	W0100.5583.90
Lever espagnolette complete, right hand with bars brass lacquered ebony	W0100.5584.90
Lever espagnolette complete, left hand with bars brass unlacquered ebony	W0200.5583.90
Lever espagnolette complete, right hand with bars brass unlacquered ebony	W0200.5584.90
Lever espagnolette complete, left hand with bars brass antique ebony	W0500.5583.90
Lever espagnolette complete, right hand with bars brass antique ebony	W0500.5584.90
Lever espagnolette complete, left hand with bars polished nickel ebony	W1100.5583.90
Lever espagnolette complete, right hand with bars polished nickel ebony	W1100.5584.90
Lever espagnolette complete, left hand with bars satin nickel unlacquered ebony	W1300.5583.90
Lever espagnolette complete, right hand with bars satin nickel unlacquered ebony	W1300.5584.90
Lever espagnolette complete, left hand with bars antique nickel unlacquered ebony	W1600.5583.90
Lever espagnolette complete, right hand with bars antique nickel unlacquered ebony	W1600.5584.90
Lever espagnolette complete, left hand with bars satin chrome ebony	W2300.5583.90
Lever espagnolette complete, right hand with bars satin chrome ebony	W2300.5584.90

TON LEVER ESPAGNOLETTE T COMPLETE WITH BARS

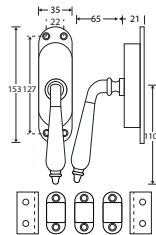
DESCRIPTION	NUMBER
Lever espagnolette T complete, with bars brass lacquered ebony	W0100.5590.90
Lever espagnolette T complete, with bars brass unlacquered ebony	W0200.5590.90
Lever espagnolette T complete, with bars brass antique ebony	W0500.5590.90
Lever espagnolette T complete, with bars polished nickel ebony	W1100.5590.90
Lever espagnolette T complete, with bars satin nickel unlacquered ebony	W1300.5590.90
Lever espagnolette T complete, with bars antique nickel unlacquered ebony	W1600.5590.90
Lever espagnolette T complete, with bars satin chrome ebony	W2300.5590.90

TON LEVER ESPAGNOLETTE COMPLETE WITH BARS

DESCRIPTION	NUMBER
Lever espagnolette complete, left hand with bars matt black / teak	W3000.5581.90
Lever espagnolette complete, right hand with bars matt black / teak	W3000.5582.90



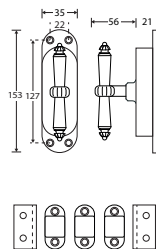
W1100.5586.90



ANTIQUE LEVER ESPAGNOLETTE COMPLETE WITH BARS

DESCRIPTION	NUMBER
Lever espagnolette complete, right hand with bars brass lacquered ebony	W0100.5586.90
Lever espagnolette complete, left hand with bars brass lacquered ebony	W0100.5585.90
Lever espagnolette complete, right hand with bars polished nickel ebony	W1100.5586.90
Lever espagnolette complete, left hand with bars polished nickel ebony	W1100.5585.90
Lever espagnolette complete, right hand with bars antique nickel unlacquered ebony	W1600.5586.90
Lever espagnolette complete, left hand with bars antique nickel unlacquered ebony	W1600.5585.90

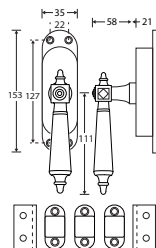
W1100.5592.90



NOUVEAU LEVER ESPAGNOLETTE T COMPLETE WITH BARS

DESCRIPTION	NUMBER
Lever espagnolette T complete, with bars brass lacquered ebony	W0100.5592.90
Lever espagnolette T complete, with bars brass unlacquered ebony	W0200.5592.90
Lever espagnolette T complete, with bars polished nickel ebony	W1100.5592.90
Lever espagnolette T complete, with bars antique nickel unlacquered ebony	W1600.5592.90

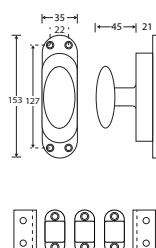
W1100.5844.90



ROMAN LEVER ESPAGNOLETTE COMPLETE WITH BARS

DESCRIPTION	NUMBER
Lever espagnolette complete, right hand with bars brass lacquered bakelite	W0100.5844.90
Lever espagnolette complete, left hand with bars brass lacquered bakelite	W0100.5843.90
Lever espagnolette complete, right hand with bars polished nickel bakelite	W1100.5844.90
Lever espagnolette complete, left hand with bars polished nickel bakelite	W1100.5843.90

W1100.5589.90



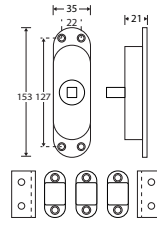
EGG LEVER ESPAGNOLETTE COMPLETE WITH BARS

DESCRIPTION	NUMBER
Lever espagnolette complete, with bars brass lacquered	W0100.5589.90
Lever espagnolette complete, with bars brass unlacquered	W0200.5589.90
Lever espagnolette complete, with bars brass antique	W0500.5589.90
Lever espagnolette complete, with bars polished nickel	W1100.5589.90
Lever espagnolette complete, with bars satin nickel unlacquered	W1300.5589.90
Lever espagnolette complete, with bars antique nickel unlacquered	W1600.5589.90
Lever espagnolette complete, with bars polished chrome	W2100.5589.90
Lever espagnolette complete, with bars satin chrome	W2300.5589.90
Lever espagnolette complete, with bars matt black	W3000.5589.90

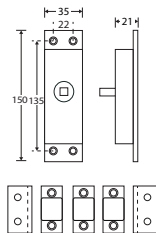
ELEGANT LEVER ESPAGNOLETTE COMPLETE WITH BARS

DESCRIPTION	NUMBER
Lever espagnolette complete, right hand with bars brass lacquered	W0100.5828.90
Lever espagnolette complete, left hand with bars brass lacquered	W0100.5827.90
Lever espagnolette complete, right hand with bars brass unlacquered	W0200.5828.90
Lever espagnolette complete, left hand with bars brass unlacquered	W0200.5827.90
Lever espagnolette complete, right hand with bars brass antique	W0500.5828.90
Lever espagnolette complete, left hand with bars brass antique	W0500.5827.90
Lever espagnolette complete, right hand with bars polished nickel	W1100.5828.90
Lever espagnolette complete, left hand with bars polished nickel	W1100.5827.90
Lever espagnolette complete, right hand with bars satin nickel unlacquered	W1300.5828.90
Lever espagnolette complete, left hand with bars satin nickel unlacquered	W1300.5827.90
Lever espagnolette complete, right hand with bars antique nickel unlacquered	W1600.5828.90
Lever espagnolette complete, left hand with bars antique nickel unlacquered	W1600.5827.90
Lever espagnolette complete, right hand with bars polished chrome	W2100.5828.90
Lever espagnolette complete, left hand with bars polished chrome	W2100.5827.90
Lever espagnolette complete, right hand with bars satin chrome	W2300.5828.90
Lever espagnolette complete, left hand with bars satin chrome	W2300.5827.90
Lever espagnolette complete, right hand with bars matt black	W3000.5828.90
Lever espagnolette complete, left hand with bars matt black	W3000.5827.90

W1100.5828.90



W1100.5830.90

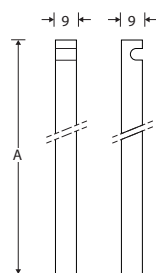


RECTANGULAR LEVER ESPAGNOLETTE COMPLETE, RIGHT HAND WITH BARS

DESCRIPTION NUMBER

Lever espagnolette complete, right hand with bars brass lacquered	W0100.5830.90
Lever espagnolette complete, left hand with bars brass lacquered	W0100.5829.90
Lever espagnolette complete, right hand with bars brass unlacquered	W0200.5830.90
Lever espagnolette complete, left hand with bars brass unlacquered	W0200.5829.90
Lever espagnolette complete, right hand with bars brass antique	W0500.5830.90
Lever espagnolette complete, left hand with bars brass antique	W0500.5829.90
Lever espagnolette complete, right hand with bars polished nickel	W1100.5830.90
Lever espagnolette complete, left hand with bars polished nickel	W1100.5829.90
Lever espagnolette complete, right hand with bars satin nickel unlacquered	W1300.5830.90
Lever espagnolette complete, left hand with bars satin nickel unlacquered	W1300.5829.90
Lever espagnolette complete, right hand with bars polished chrome	W2100.5830.90
Lever espagnolette complete, left hand with bars polished chrome	W2100.5829.90
Lever espagnolette complete, right hand with bars satin chrome	W2300.5830.90
Lever espagnolette complete, left hand with bars satin chrome	W2300.5829.90
Lever espagnolette complete, right hand with bars matt black	W3000.5830.90
Lever espagnolette complete, left hand with bars matt black	W3000.5829.90

W1100.9182.90



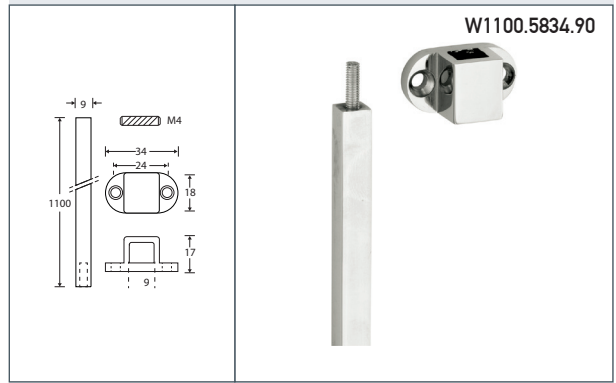
ESPAGNOLETTE BAR 1100MM

DESCRIPTION

Espagnolette bar 1100mm brass lacquered	W0100.9182.90
Espagnolette bar 1400mm brass lacquered	W0100.9183.90
Espagnolette bar 1100mm brass unlacquered	W0200.9182.90
Espagnolette bar 1400mm brass unlacquered	W0200.9183.90
Espagnolette bar 1100mm brass antique	W0500.9182.90
Espagnolette bar 1400mm brass antique	W0500.9183.90
Espagnolette bar 1100mm polished nickel	W1100.9182.90
Espagnolette bar 1400mm polished nickel	W1100.9183.90
Espagnolette bar 1100mm satin nickel unlacquered	W1300.9182.90
Espagnolette bar 1400mm satin nickel unlacquered	W1300.9183.90
Espagnolette bar 1100mm antique nickel unlacquered	W1600.9182.90
Espagnolette bar 1400mm antique nickel unlacquered	W1600.9183.90
Espagnolette bar 1100mm polished chrome	W2100.9182.90
Espagnolette bar 1400mm polished chrome	W2100.9183.90
Espagnolette bar 1100mm satin chrome	W2300.9182.90
Espagnolette bar 1400mm satin chrome	W2300.9183.90
Espagnolette bar 1100mm matt black	W3000.9182.90
Espagnolette bar 1400mm matt black	W3000.9183.90

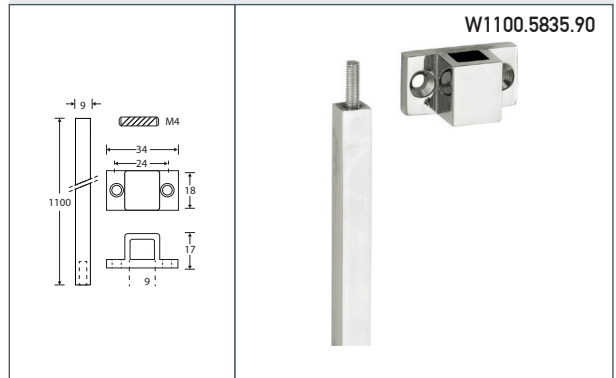
ESPAGNOLETTE BAR ELONGATION SET OVAL WITH BAR

DESCRIPTION	NUMBER
Espagnolette bar elongation set oval with bar brass lacquered	W0100.5834.90
Espagnolette bar elongation set oval with bar brass unlacquered	W0200.5834.90
Espagnolette bar elongation set oval with bar brass antique	W0500.5834.90
Espagnolette bar elongation set oval with bar polished nickel	W1100.5834.90
Espagnolette bar elongation set oval with bar satin nickel unlacquered	W1300.5834.90
Espagnolette bar elongation set oval with bar antique nickel unlacquered	W1600.5834.90
Espagnolette bar elongation set oval with bar polished chrome	W2100.5834.90
Espagnolette bar elongation set oval with bar satin chrome	W2300.5834.90
Espagnolette bar elongation set oval with bar matt black	W3000.5834.90



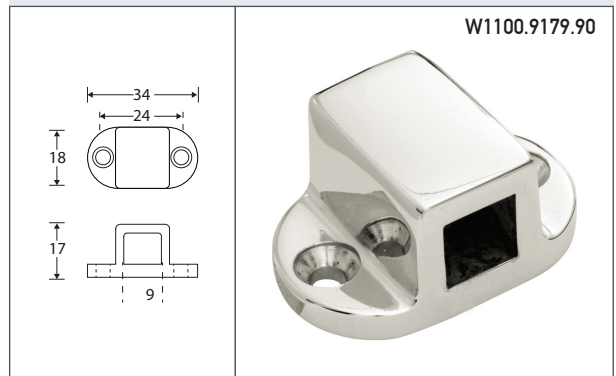
ESPAGNOLETTE BAR ELONGATION SET RECTANGULAR WITH BAR

DESCRIPTION	NUMBER
Espagnolette bar elongation set rectangular with bar brass lacquered	W0100.5835.90
Espagnolette bar elongation set rectangular with bar brass unlacquered	W0200.5835.90
Espagnolette bar elongation set rectangular with bar brass antique	W0500.5835.90
Espagnolette bar elongation set rectangular with bar polished nickel	W1100.5835.90
Espagnolette bar elongation set rectangular with bar satin nickel unlacquered	W1300.5835.90
Espagnolette bar elongation set rectangular with bar polished chrome	W2100.5835.90
Espagnolette bar elongation set rectangular with bar satin chrome	W2300.5835.90
Espagnolette bar elongation set rectangular with bar matt black	W3000.5835.90

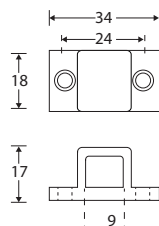


GUIDE BRACKET OVAL FOR SQUARE BAR

DESCRIPTION	NUMBER
Guide bracket oval for square bar brass lacquered	W0100.9179.90
Guide bracket oval for square bar brass unlacquered	W0200.9179.90
Guide bracket oval for square bar brass antique	W0500.9179.90
Guide bracket oval for square bar polished nickel	W1100.9179.90
Guide bracket oval for square bar satin nickel unlacquered	W1300.9179.90
Guide bracket oval for square bar antique nickel unlacquered	W1600.9179.90
Guide bracket oval for square bar polished chrome	W2100.9179.90
Guide bracket oval for square bar satin chrome ebony	W2300.9179.90
Guide bracket oval for square bar matt black	W3000.9179.90



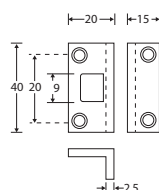
W1100.9180.90



GUIDE BRACKET RECTANGULAR FOR SQUARE BAR

DESCRIPTION	NUMBER
Guide bracket rectangular for square bar brass lacquered	W0100.9180.90
Guide bracket rectangular for square bar brass unlacquered	W0200.9180.90
Guide bracket rectangular for square bar brass antique	W0500.9180.90
Guide bracket rectangular for square bar polished nickel	W1100.9180.90
Guide bracket rectangular for square bar satin nickel unlacquered	W1300.9180.90
Guide bracket rectangular for square bar polished chrome	W2100.9180.90
Guide bracket rectangular for square bar satin chrome ebony	W2300.9180.90
Guide bracket rectangular for square bar matt black	W3000.9180.90

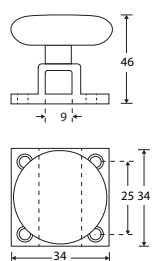
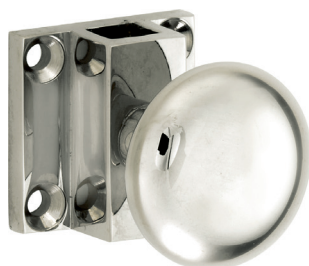
W1100.9181.90



EXTENDED STRIKE PLATE FOR SQUARE BAR

DESCRIPTION	NUMBER
Extended strike plate for square bar brass lacquered	W0100.9181.90
Extended strike plate for square bar brass unlacquered	W0200.9181.90
Extended strike plate for square bar brass antique	W0500.9181.90
Extended strike plate for square bar polished nickel	W1100.9181.90
Extended strike plate for square bar satin nickel unlacquered	W1300.9181.90
Extended strike plate for square bar antique nickel unlacquered	W1600.9181.90
Extended strike plate for square bar polished chrome	W2100.9181.90
Extended strike plate for square bar satin chrome	W2300.9181.90
Extended strike plate for square bar matt black	W3000.9181.90

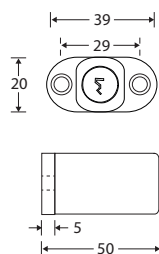
W1100.4560.90



ELEGANT ESPAGNOLETTE PULL KNOB FOR SQUARE BAR

DESCRIPTION	NUMBER
Espagnolette pull knob for square bar brass lacquered	W0100.4560.90
Espagnolette pull knob for square bar brass unlacquered	W0200.4560.90
Espagnolette pull knob for square bar brass antique	W0500.4560.90
Espagnolette pull knob for square bar polished nickel	W1100.4560.90
Espagnolette pull knob for square bar satin nickel unlacquered	W1300.4560.90
Espagnolette pull knob for square bar antique nickel unlacquered	W1600.4560.90
Espagnolette pull knob for square bar polished chrome	W2100.4560.90
Espagnolette pull knob for square bar satin chrome	W2300.4560.90
Espagnolette pull knob for square bar matt black	W3000.4560.90

W1100.9309.90

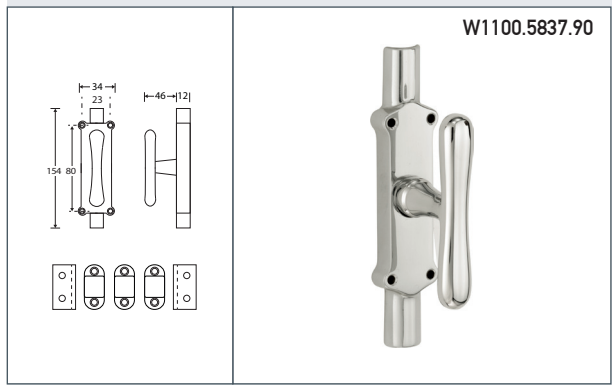


ESPAGNOLETTE LOCK, FOR SQUARE BAR

DESCRIPTION	NUMBER
Espagnolette lock, for square bar brass lacquered	W0100.9309.90
Espagnolette lock, for square bar brass unlacquered	W0200.9309.90
Espagnolette lock, for square bar brass antique	W0500.9309.90
Espagnolette lock, for square bar polished nickel	W1100.9309.90
Espagnolette lock, for square bar satin nickel unlacquered	W1300.9309.90
Espagnolette lock, for square bar antique nickel unlacquered	W1600.9309.90
Espagnolette lock, for square bar polished chrome	W2100.9309.90
Espagnolette lock, for square bar satin chrome	W2300.9309.90
Espagnolette lock, for square bar matt black	W3000.9309.90

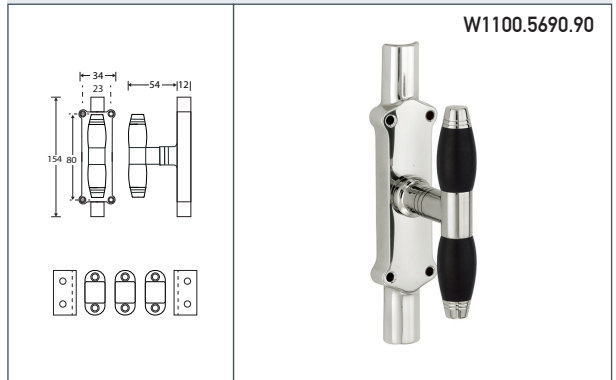
LINEA LEVER ESPAGNOLETTE T COMPLETE, WITH HALFROUND BARS

DESCRIPTION	NUMBER
Lever espagnolette T complete, with halfround bars brass lacquered	W0100.5837.90
Lever espagnolette T complete, with halfround bars brass unlacquered	W0200.5837.90
Lever espagnolette T complete, with halfround bars polished nickel	W1100.5837.90
Lever espagnolette T complete, with halfround bars satin nickel unlacquered	W1300.5837.90
Lever espagnolette T complete, with halfround bars polished chrome	W2100.5837.90
Lever espagnolette T complete, with halfround bars satin chrome	W2300.5837.90
Lever espagnolette T complete, with halfround bars matt black	W3000.5837.90



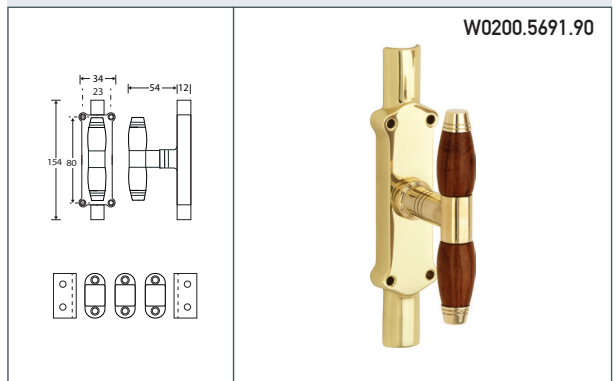
BONTON LEVER ESPAGNOLETTE T COMPLETE, WITH HALFROUND BARS

DESCRIPTION	NUMBER
Lever espagnolette T complete, with halfround bars brass unlacquered ebony	W0200.5690.90
Lever espagnolette T complete, with halfround bars polished nickel ebony	W1100.5690.90
Lever espagnolette T complete, with halfround bars antique nickel unlacquered ebony	W1600.5690.90



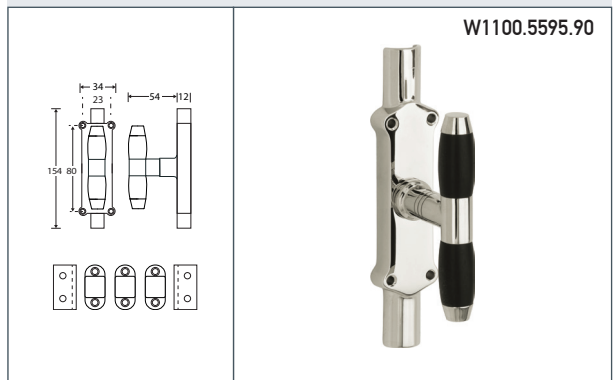
BONTON LEVER ESPAGNOLETTE T COMPLETE, WITH HALFROUND BARS

DESCRIPTION	NUMBER
Lever espagnolette T complete, with halfround bars brass unlacquered bubinga	W0200.5691.90

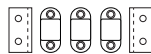
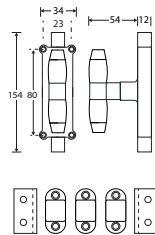


TON LEVER ESPAGNOLETTE COMPLETE, T WITH HALFROUND BARS

DESCRIPTION	NUMBER
Lever espagnolette complete, T with halfround bars brass lacquered ebony	W0100.5595.90
Lever espagnolette complete, T with halfround bars brass unlacquered ebony	W0200.5595.90
Lever espagnolette complete, T with halfround bars brass antique ebony	W0500.5595.90
Lever espagnolette complete, T with halfround bars polished nickel ebony	W1100.5595.90
Lever espagnolette complete, T with halfround bars satin nickel unlacquered ebony	W1300.5595.90
Lever espagnolette complete, T with halfround bars antique nickel unlacquered ebony	W1600.5595.90
Lever espagnolette complete, T with halfround bars satin chrome ebony	W2300.5595.90



W3000.5839.90

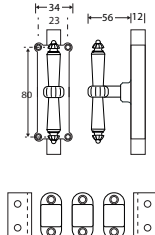


TON LEVER ESPAGNOLETTE T COMPLETE WITH HALFROUND BARS

DESCRIPTION NUMBER

Lever espagnolette T complete, with halfround bars matt black / teak W3000.5839.90

W1100.5840.90



NOUVEAU LEVER ESPAGNOLETTE T COMPLETE WITH HALFROUND BARS

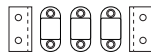
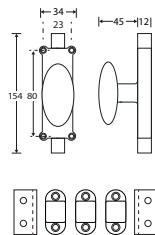
DESCRIPTION NUMBER

Lever espagnolette T complete, with halfround bars brass lacquered ebony W0100.5840.90

Lever espagnolette T complete, with halfround bars polished nickel ebony W1100.5840.90

Lever espagnolette T complete, with halfround bars antique nickel unlacquered ebony W1600.5840.90

W1100.5838.90



EGG LEVER ESPAGNOLETTE COMPLETE WITH HALFROUND BARS

DESCRIPTION NUMBER

Lever espagnolette complete with halfround bars brass lacquered W0100.5838.90

Lever espagnolette complete with halfround bars brass antique W0500.5838.90

Lever espagnolette complete with halfround bars polished nickel W1100.5838.90

Lever espagnolette complete with halfround bars satin nickel unlacquered W1300.5838.90

Lever espagnolette complete with halfround bars antique nickel unlacquered W1600.5838.90

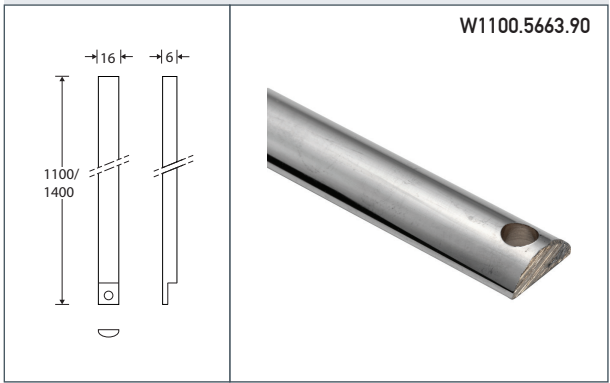
Lever espagnolette complete with halfround bars polished chrome W2100.5838.90

Lever espagnolette complete with halfround bars satin chrome W2300.5838.90

Lever espagnolette complete with halfround bars matt black W3000.5838.90

LEVER ESPAGNOLETTE HALFROUND BAR 1100MM

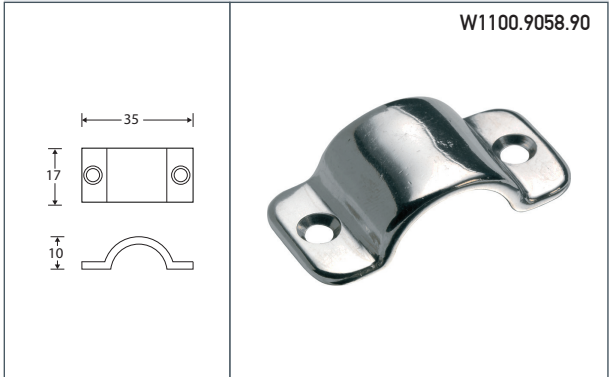
DESCRIPTION	NUMBER
Lever espagnolette halfround bar 1100mm brass lacquered	W0100.5663.90
Lever espagnolette halfround bar 1400mm brass lacquered	W0100.5664.90
Lever espagnolette halfround bar 1100mm brass unlacquered	W0200.5663.90
Lever espagnolette halfround bar 1400mm brass unlacquered	W0200.5664.90
Lever espagnolette halfround bar 1100mm brass antique	W0500.5663.90
Lever espagnolette halfround bar 1400mm brass antique	W0500.5664.90
Lever espagnolette halfround bar 1100mm polished nickel	W1100.5663.90
Lever espagnolette halfround bar 1400mm polished nickel	W1100.5664.90
Lever espagnolette halfround bar 1100mm satin nickel unlacquered	W1300.5663.90
Lever espagnolette halfround bar 1400mm satin nickel unlacquered	W1300.5664.90
Lever espagnolette halfround bar 1100mm antique nickel unlacquered	W1600.5663.90
Lever espagnolette halfround bar 1400mm antique nickel unlacquered	W1600.5664.90
Lever espagnolette halfround bar 1100mm satin chrome	W2300.5663.90
Lever espagnolette halfround bar 1400mm satin chrome	W2300.5664.90
Lever espagnolette halfround bar 1100mm matt black	W3000.5663.90
Lever espagnolette halfround bar 1400mm matt black	W3000.5664.90



W1100.5663.90

GUIDE BRACKET FOR HALFROUND BAR

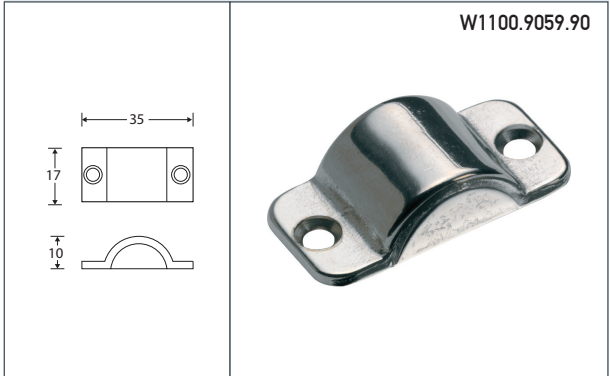
DESCRIPTION	NUMBER
Guide bracket for halfround bar brass lacquered	W0100.9058.90
Guide bracket for halfround bar brass unlacquered	W0200.9058.90
Guide bracket for halfround bar brass antique	W0500.9058.90
Guide bracket for halfround bar polished nickel	W1100.9058.90
Guide bracket for halfround bar satin nickel unlacquered	W1300.9058.90
Guide bracket for halfround bar antique nickel unlacquered	W1600.9058.90
Guide bracket for halfround bar satin chrome	W2300.9058.90
Guide bracket for halfround bar matt black	W3000.9058.90



W1100.9058.90

END BRACKET FOR ESPAGNOLLETTE HALFROUND BAR

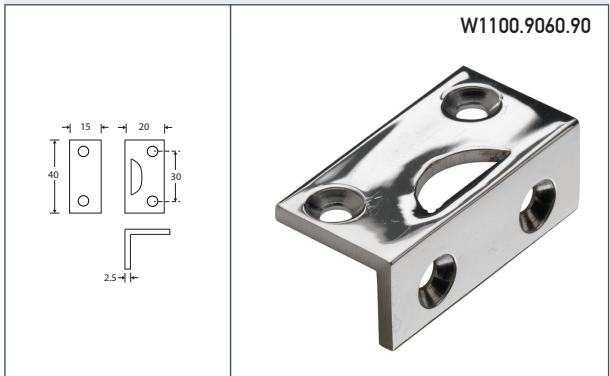
DESCRIPTION	NUMBER
End bracket for espagnollette halfround bar brass lacquered	W0100.9059.90
End bracket for espagnollette halfround bar brass unlacquered	W0200.9059.90
End bracket for espagnollette halfround bar brass antique	W0500.9059.90
End bracket for espagnollette halfround bar polished nickel	W1100.9059.90
End bracket for espagnollette halfround bar satin nickel unlacquered	W1300.9059.90
End bracket for espagnollette halfround bar antique nickel unlacquered	W1600.9059.90
End bracket for espagnollette halfround bar satin chrome	W2300.9059.90
End bracket for espagnollette halfround bar matt black	W3000.9059.90



W1100.9059.90

EXTENDED STRIKE PLATE FOR HALFROUND BAR

DESCRIPTION	NUMBER
Extended strike plate for halfround bar brass lacquered	W0100.9060.90
Extended strike plate for halfround bar brass unlacquered	W0200.9060.90
Extended strike plate for halfround bar brass antique	W0500.9060.90
Extended strike plate for halfround bar polished nickel	W1100.9060.90
Extended strike plate for halfround bar satin nickel unlacquered	W1300.9060.90
Extended strike plate for halfround bar antique nickel unlacquered	W1600.9060.90
Extended strike plate for halfround bar satin chrome	W2300.9060.90
Extended strike plate for halfround bar matt black	W3000.9060.90



W1100.9060.90

EXTERNAL DOOR FITTINGS

Protective external door fittings play a significant part in securing your home. Unfortunately, this very often results in a less beautiful front or back door. Mi Satori's external door fittings have been developed in a way that pays complete attention to the visual aspect, without losing sight of safety and the necessary SKG quality marks. For example, the lock pull protection feature has been implemented throughout the entire range of safety rosettes and covers. What's unique about this is that the disc in this anti-tensile feature is the same colour as the fitting. The different models of handles and knobs, fixed or rotatable, can be combined.

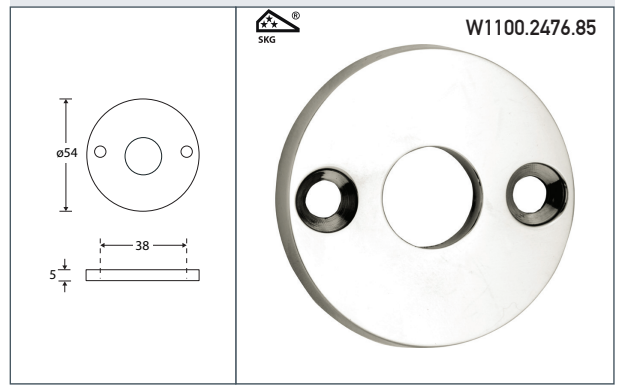
In addition to Mi Satori's safety plates and rosettes, there are also three-star SKG-certified safety hinges. These unique and fully brass hinges come in the same finish as the rest of the fittings and provide the perfect finish to your external door.



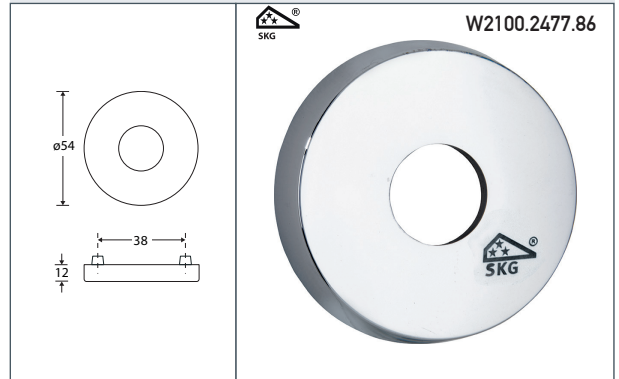
Mi Satori

TOUCH | FEEL | KNOW

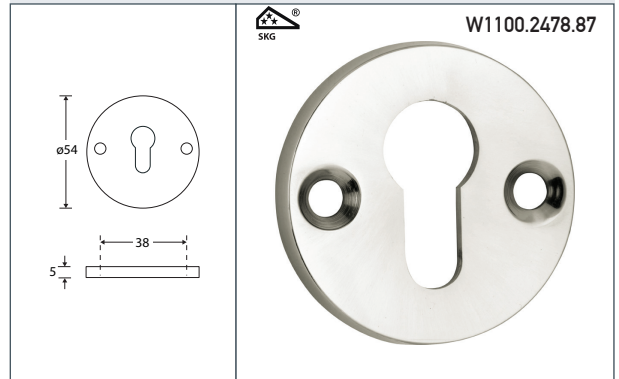
ELEGANT SECURITY LEVER ROSETTE INSIDE	
DESCRIPTION	NUMBER
Security lever rosette inside brass lacquered	W0100.2476.85
Security lever rosette inside brass unlacquered	W0200.2476.85
Security lever rosette inside brass antique	W0500.2476.85
Security lever rosette inside polished nickel	W1100.2476.85
Security lever rosette inside satin nickel unlacquered	W1300.2476.85
Security lever rosette inside antique nickel unlacquered	W1600.2476.85
Security lever rosette inside polished chrome	W2100.2476.85
Security lever rosette inside satin chrome	W2300.2476.85
Security lever rosette inside matt black	W3000.2476.85



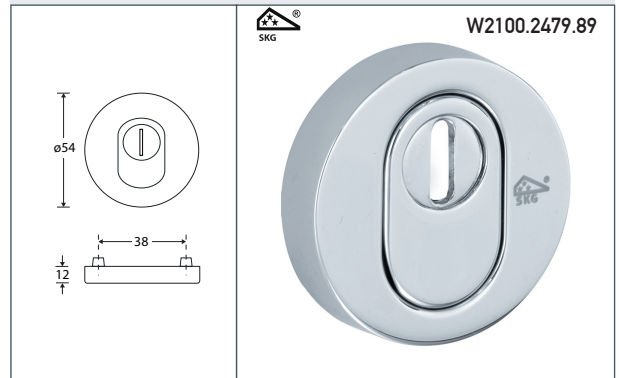
ELEGANT SECURITY LEVER ROSETTE OUTSIDE	
DESCRIPTION	NUMBER
Security lever rosette outside brass unlacquered	W0200.2477.86
Security lever rosette outside polished brass PVD	W0300.2477.86
Security lever rosette outside brass antique	W0500.2477.86
Security lever rosette outside satin nickel PVD	W1400.2477.86
Security lever rosette outside polished chrome	W2100.2477.86
Security lever rosette outside satin chrome	W2300.2477.86
Security lever rosette outside antique chrome	W2500.2477.86
Security lever rosette outside matt black	W3000.2477.86

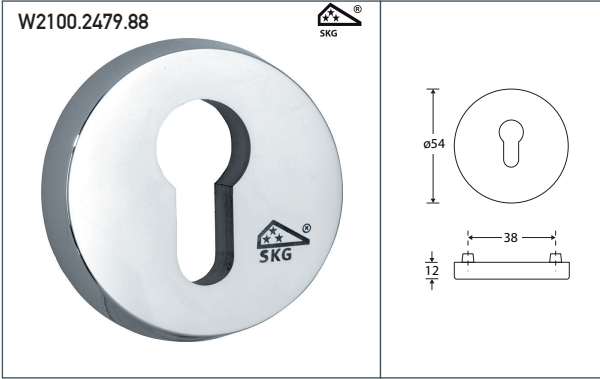


ELEGANT SECURITY EURO PROFILE ESCUTCHEON INSIDE	
DESCRIPTION	NUMBER
Security Euro profile escutcheon inside brass lacquered	W0100.2478.87
Security Euro profile escutcheon inside brass unlacquered	W0200.2478.87
Security Euro profile escutcheon inside brass antique	W0500.2478.87
Security Euro profile escutcheon inside polished nickel	W1100.2478.87
Security Euro profile escutcheon inside satin nickel unlacquered	W1300.2478.87
Security Euro profile escutcheon inside antique nickel unlacquered	W1600.2478.87
Security Euro profile escutcheon inside polished chrome	W2100.2478.87
Security Euro profile escutcheon inside satin chrome	W2300.2478.87
Security Euro profile escutcheon inside matt black	W3000.2478.87

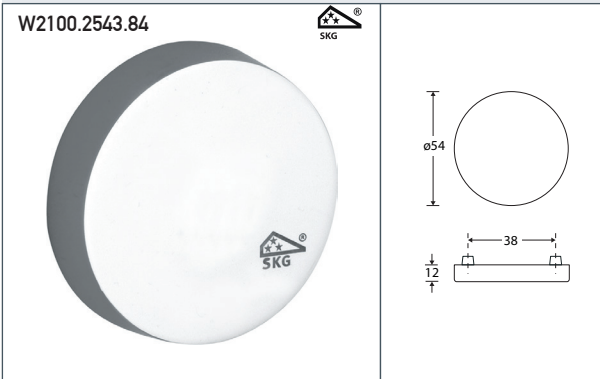


ELEGANT SECURITY EURO PROFILE ESCUTCHEON WITH PULL PROTECTION	
DESCRIPTION	NUMBER
Security Euro profile escutcheon with pull protection brass unlacquered	W0200.2479.89
Security Euro profile escutcheon with pull protection polished brass PVD	W0300.2479.89
Security Euro profile escutcheon with pull protection brass antique	W0500.2479.89
Security Euro profile escutcheon with pull protection satin nickel PVD	W1400.2479.89
Security Euro profile escutcheon with pull protection polished chrome	W2100.2479.89
Security Euro profile escutcheon with pull protection satin chrome	W2300.2479.89
Security Euro profile escutcheon with pull protection antique chrome	W2500.2479.89
Security Euro profile escutcheon with pull protection matt black	W3000.2479.89

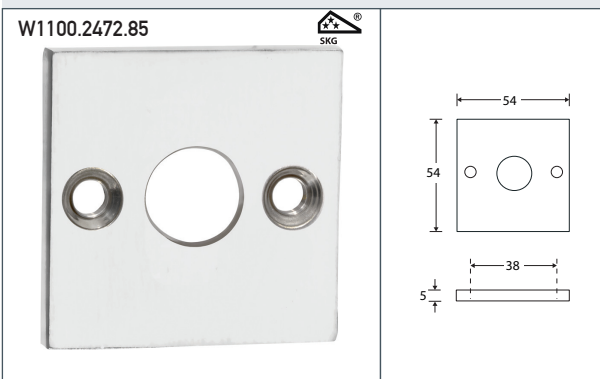




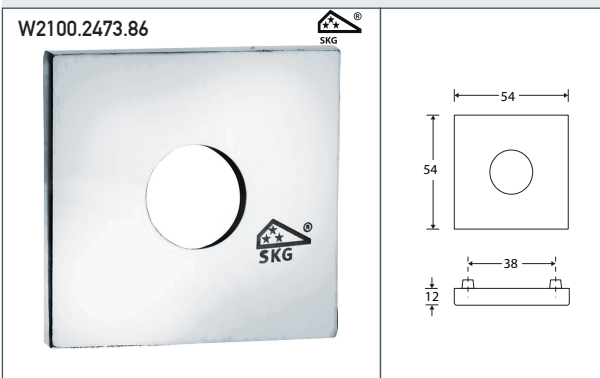
ELEGANT SECURITY EURO PROFILE ESCUTCHEON OUTSIDE	
DESCRIPTION	NUMBER
Security Euro profile escutcheon outside brass unlacquered	W0200.2479.88
Security Euro profile escutcheon outside polished brass PVD	W0300.2479.88
Security Euro profile escutcheon outside brass antique	W0500.2479.88
Security Euro profile escutcheon outside satin nickel PVD	W1400.2479.88
Security Euro profile escutcheon outside polished chrome	W2100.2479.88
Security Euro profile escutcheon outside satin chrome	W2300.2479.88
Security Euro profile escutcheon outside antique chrome	W2500.2479.88
Security Euro profile escutcheon outside matt black	W3000.2479.88



ELEGANT SECURITY ROSETTE BLIND	
DESCRIPTION	NUMBER
Security Rosette Blind brass unlacquered	W0200.2543.84
Security Rosette Blind polished brass PVD	W0300.2543.84
Security Rosette Blind satin nickel PVD	W1400.2543.84
Security Rosette Blind polished chrome	W2100.2543.84
Security Rosette Blind satin chrome	W2300.2543.84
Security Rosette Blind matt black	W3000.2543.84



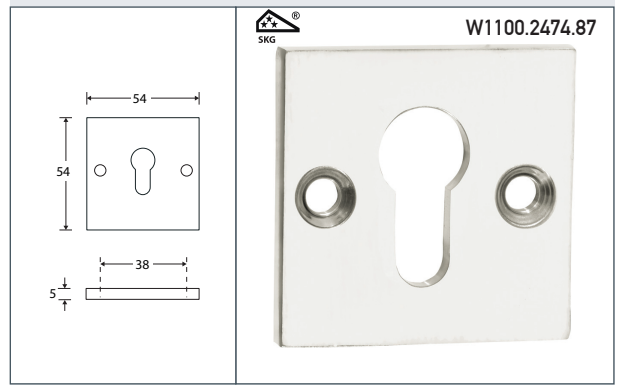
BAUHAUS-STYLE SECURITY LEVER ROSETTE INSIDE	
DESCRIPTION	NUMBER
Security lever rosette inside brass lacquered	W0100.2472.85
Security lever rosette inside brass unlacquered	W0200.2472.85
Security lever rosette inside brass antique	W0500.2472.85
Security lever rosette inside polished nickel	W1100.2472.85
Security lever rosette inside satin nickel unlacquered	W1300.2472.85
Security lever rosette inside polished chrome	W2100.2472.85
Security lever rosette inside satin chrome	W2300.2472.85
Security lever rosette inside matt black	W3000.2472.85



BAUHAUS-STYLE SECURITY LEVER ROSETTE OUTSIDE	
DESCRIPTION	NUMBER
Security lever rosette outside brass unlacquered	W0200.2473.86
Security lever rosette outside polished brass PVD	W0300.2473.86
Security lever rosette outside brass antique	W0500.2473.86
Security lever rosette outside satin nickel PVD	W1400.2473.86
Security lever rosette outside polished chrome	W2100.2473.86
Security lever rosette outside satin chrome	W2300.2473.86
Security lever rosette outside matt black	W3000.2473.86

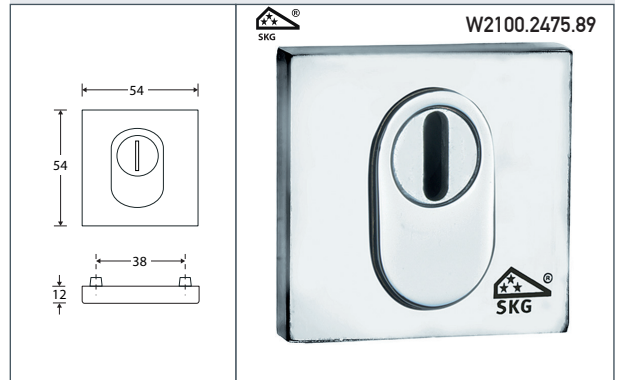
BAUHAUS-STYLE SECURITY EURO PROFILE ESCUTCHEON INSIDE

DESCRIPTION	NUMBER
Security Euro profile escutcheon inside brass lacquered	W0100.2474.87
Security Euro profile escutcheon inside brass unlacquered	W0200.2474.87
Security Euro profile escutcheon inside brass antique	W0500.2474.87
Security Euro profile escutcheon inside polished nickel	W1100.2474.87
Security Euro profile escutcheon inside satin nickel unlacquered	W1300.2474.87
Security Euro profile escutcheon inside polished chrome	W2100.2474.87
Security Euro profile escutcheon inside satin chrome	W2300.2474.87
Security Euro profile escutcheon inside matt black	W3000.2474.87



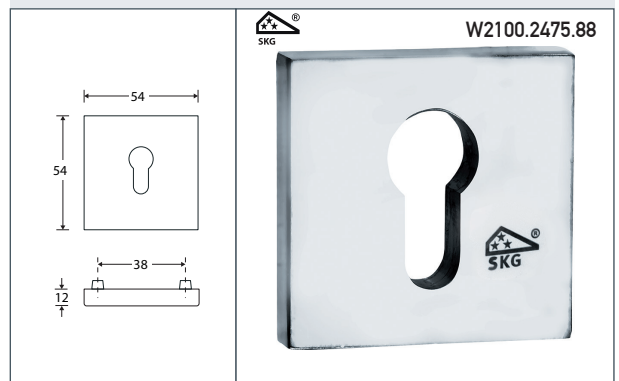
BAUHAUS-STYLE SECURITY EURO PROFILE ESCUTCHEON WITH PULL PROTECTION

DESCRIPTION	NUMBER
Security Euro profile escutcheon with pull protection brass unlacquered	W0200.2475.89
Security Euro profile escutcheon with pull protection polished brass PVD	W0300.2475.89
Security Euro profile escutcheon with pull protection brass antique	W0500.2475.89
Security Euro profile escutcheon with pull protection satin nickel PVD	W1400.2475.89
Security Euro profile escutcheon with pull protection polished chrome	W2100.2475.89
Security Euro profile escutcheon with pull protection satin chrome	W2300.2475.89
Security Euro profile escutcheon with pull protection matt black	W3000.2475.89



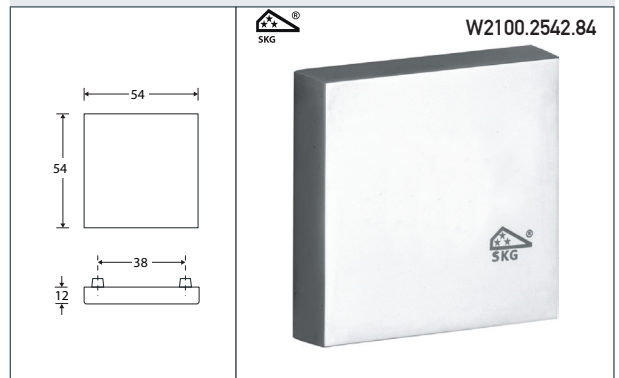
BAUHAUS-STYLE SECURITY EURO PROFILE ESCUTCHEON OUTSIDE

DESCRIPTION	NUMBER
Security Euro profile escutcheon outside brass unlacquered	W0200.2475.88
Security Euro profile escutcheon outside polished brass PVD	W0300.2475.88
Security Euro profile escutcheon outside brass antique	W0500.2475.88
Security Euro profile escutcheon outside satin nickel PVD	W1400.2475.88
Security Euro profile escutcheon outside polished chrome	W2100.2475.88
Security Euro profile escutcheon outside satin chrome	W2300.2475.88
Security Euro profile escutcheon outside matt black	W3000.2475.88

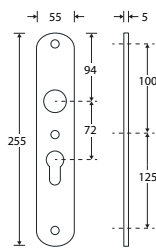


BAUHAUS-STYLE SECURITY ROSETTE BLIND

DESCRIPTION	NUMBER
Security Rosette Blind brass unlacquered	W0200.2542.84
Security Rosette Blind polished brass PVD	W0300.2542.84
Security Rosette Blind brass antique	W0500.2542.84
Security Rosette Blind satin nickel PVD	W1400.2542.84
Security Rosette Blind polished chrome	W2100.2542.84
Security Rosette Blind satin chrome	W2300.2542.84
Security Rosette Blind matt black	W3000.2542.84



W1100.2484.28



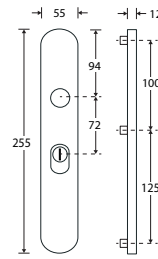
OVAL SECURITY BACKPLATE INSIDE

DESCRIPTION	NUMBER
Security backplate inside PZ55 brass lacquered	W0100.2484.25
Security backplate inside PZ72 brass lacquered	W0100.2484.28
Security backplate inside PZ92 brass lacquered	W0100.2484.38
Security backplate inside PZ55 brass unlacquered	W0200.2484.25
Security backplate inside PZ72 brass unlacquered	W0200.2484.28
Security backplate inside PZ92 brass unlacquered	W0200.2484.38
Security backplate inside PZ55 polished nickel	W1100.2484.25
Security backplate inside PZ72 polished nickel	W1100.2484.28
Security backplate inside PZ92 polished nickel	W1100.2484.38
Security backplate inside PZ55 satin nickel unlacquered	W1300.2484.25
Security backplate inside PZ72 satin nickel unlacquered	W1300.2484.28
Security backplate inside PZ92 satin nickel unlacquered	W1300.2484.38
Security backplate inside PZ55 polished chrome	W2100.2484.25
Security backplate inside PZ72 polished chrome	W2100.2484.28
Security backplate inside PZ92 polished chrome	W2100.2484.38
Security backplate inside PZ55 satin chrome	W2300.2484.25
Security backplate inside PZ72 satin chrome	W2300.2484.28
Security backplate inside PZ92 satin chrome	W2300.2484.38
Security backplate inside PZ55 matt black	W3000.2484.25
Security backplate inside PZ72 matt black	W3000.2484.28
Security backplate inside PZ92 matt black	W3000.2484.38

OVAL SECURITY BACKPLATE WITH PULL PROTECTION

DESCRIPTION NUMBER

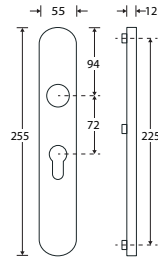
Security backplate outside Blind brass unlacquered	W0200.2485.01
Security backplate with pull protection PZ55 brass unlacquered	W0200.2485.81
Security backplate with pull protection PZ72 brass unlacquered	W0200.2485.82
Security backplate with pull protection PZ92 brass unlacquered	W0200.2485.83
Security backplate outside Blind polished brass PVD	W0300.2485.01
Security backplate with pull protection PZ55 polished brass PVD	W0300.2485.81
Security backplate with pull protection PZ72 polished brass PVD	W0300.2485.82
Security backplate with pull protection PZ92 polished brass PVD	W0300.2485.83
Security backplate outside Blind satin nickel PVD	W1400.2485.01
Security backplate with pull protection PZ55 satin nickel PVD	W1400.2485.81
Security backplate with pull protection PZ72 satin nickel PVD	W1400.2485.82
Security backplate with pull protection PZ92 satin nickel PVD	W1400.2485.83
Security backplate outside Blind polished chrome	W2100.2485.01
Security backplate with pull protection PZ55 polished chrome	W2100.2485.81
Security backplate with pull protection PZ72 polished chrome	W2100.2485.82
Security backplate with pull protection PZ92 polished chrome	W2100.2485.83
Security backplate outside Blind satin chrome	W2300.2485.01
Security backplate with pull protection PZ55 satin chrome	W2300.2485.81
Security backplate with pull protection PZ72 satin chrome	W2300.2485.82
Security backplate with pull protection PZ92 satin chrome	W2300.2485.83
Security backplate outside Blind matt black	W3000.2485.01
Security backplate with pull protection PZ55 matt black	W3000.2485.81
Security backplate with pull protection PZ72 matt black	W3000.2485.82
Security backplate with pull protection PZ92 matt black	W3000.2485.83



W2100.2485.82



W2100.2485.29



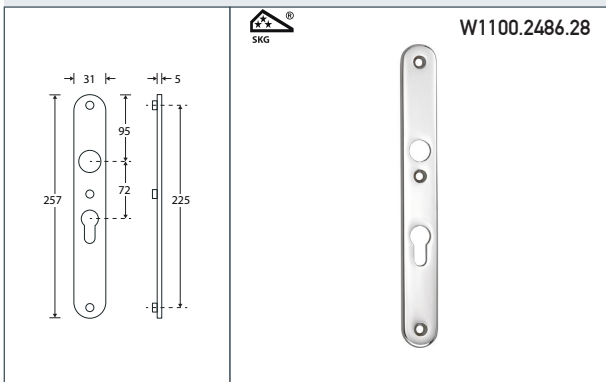
OVAL SECURITY BACKPLATE OUTSIDE

DESCRIPTION	NUMBER
Security backplate outside Blind brass unlacquered	W0200.2485.01
Security backplate outside PZ55 brass unlacquered	W0200.2485.26
Security backplate outside PZ72 brass unlacquered	W0200.2485.29
Security backplate outside PZ92 brass unlacquered	W0200.2485.39
Security backplate outside Blind polished brass PVD	W0300.2485.01
Security backplate outside PZ55 polished brass PVD	W0300.2485.26
Security backplate outside PZ72 polished brass PVD	W0300.2485.29
Security backplate outside PZ92 polished brass PVD	W0300.2485.39
Security backplate outside Blind satin nickel PVD	W1400.2485.01
Security backplate outside PZ55 satin nickel PVD	W1400.2485.26
Security backplate outside PZ72 satin nickel PVD	W1400.2485.29
Security backplate outside PZ92 satin nickel PVD	W1400.2485.39
Security backplate outside Blind polished chrome	W2100.2485.01
Security backplate outside PZ55 polished chrome	W2100.2485.26
Security backplate outside PZ72 polished chrome	W2100.2485.29
Security backplate outside PZ92 polished chrome	W2100.2485.39
Security backplate outside Blind satin chrome	W2300.2485.01
Security backplate outside PZ55 satin chrome	W2300.2485.26
Security backplate outside PZ72 satin chrome	W2300.2485.29
Security backplate outside PZ92 satin chrome	W2300.2485.39
Security backplate outside Blind matt black	W3000.2485.01
Security backplate outside PZ55 matt black	W3000.2485.26
Security backplate outside PZ72 matt black	W3000.2485.29
Security backplate outside PZ92 matt black	W3000.2485.39

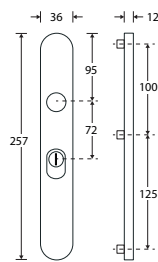
SLIM SECURITY BACKPLATE INSIDE

DESCRIPTION NUMBER

Security backplate slim inside PZ55 brass lacquered	W0100.2486.25
Security backplate slim inside PZ72 brass lacquered	W0100.2486.28
Security backplate slim inside PZ92 brass lacquered	W0100.2486.38
Security backplate slim inside PZ55 brass unlacquered	W0200.2486.25
Security backplate slim inside PZ72 brass unlacquered	W0200.2486.28
Security backplate slim inside PZ92 brass unlacquered	W0200.2486.38
Security backplate slim inside PZ55 brass antique	W0500.2486.25
Security backplate slim inside PZ72 brass antique	W0500.2486.28
Security backplate slim inside PZ92 brass antique	W0500.2486.38
Security backplate slim inside PZ55 polished nickel	W1100.2486.25
Security backplate slim inside PZ72 polished nickel	W1100.2486.28
Security backplate slim inside PZ92 polished nickel	W1100.2486.38
Security backplate slim inside PZ55 satin nickel unlacquered	W1300.2486.25
Security backplate slim inside PZ72 satin nickel unlacquered	W1300.2486.28
Security backplate slim inside PZ92 satin nickel unlacquered	W1300.2486.38
Security backplate slim inside PZ55 antique nickel unlacquered	W1600.2486.25
Security backplate slim inside PZ72 antique nickel unlacquered	W1600.2486.28
Security backplate slim inside PZ92 antique nickel unlacquered	W1600.2486.38
Security backplate slim inside PZ55 polished chrome	W2100.2486.25
Security backplate slim inside PZ72 polished chrome	W2100.2486.28
Security backplate slim inside PZ92 polished chrome	W2100.2486.38
Security backplate slim inside PZ55 satin chrome	W2300.2486.25
Security backplate slim inside PZ72 satin chrome	W2300.2486.28
Security backplate slim inside PZ92 satin chrome	W2300.2486.38
Security backplate slim inside PZ55 matt black	W3000.2486.25
Security backplate slim inside PZ72 matt black	W3000.2486.28
Security backplate slim inside PZ92 matt black	W3000.2486.38



W2100.2487.82



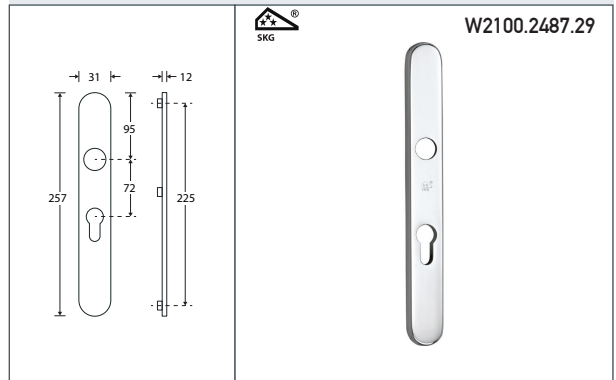
SLIM SECURITY BACKPLATE WITH PULL PROTECTION

DESCRIPTION	NUMBER
Security backplate slim outside Blind brass unlacquered, 31mm wide	W0200.2487.01
Security backplate slim with pull protection PZ55 brass unlacquered	W0200.2487.81
Security backplate slim with pull protection PZ72 brass unlacquered	W0200.2487.82
Security backplate slim with pull protection PZ92 brass unlacquered	W0200.2487.83
Security backplate slim outside Blind polished brass PVD, 31mm wide	W0300.2487.01
Security backplate slim with pull protection PZ55 polished brass PVD	W0300.2487.81
Security backplate slim with pull protection PZ72 polished brass PVD	W0300.2487.82
Security backplate slim with pull protection PZ92 polished brass PVD	W0300.2487.83
Security backplate slim outside Blind satin nickel PVD, 31mm wide	W1400.2487.01
Security backplate slim with pull protection PZ55 satin nickel PVD	W1400.2487.81
Security backplate slim with pull protection PZ72 satin nickel PVD	W1400.2487.82
Security backplate slim with pull protection PZ92 satin nickel PVD	W1400.2487.83
Security backplate slim outside Blind polished chrome, 31mm wide	W2100.2487.01
Security backplate slim with pull protection PZ55 polished chrome	W2100.2487.81
Security backplate slim with pull protection PZ72 polished chrome	W2100.2487.82
Security backplate slim with pull protection PZ92 polished chrome	W2100.2487.83
Security backplate slim outside Blind satin chrome, 31mm wide	W2300.2487.01
Security backplate slim with pull protection PZ55 satin chrome	W2300.2487.81
Security backplate slim with pull protection PZ72 satin chrome	W2300.2487.82
Security backplate slim with pull protection PZ92 satin chrome	W2300.2487.83
Security backplate slim outside Blind antique chrome, 31mm wide	W2500.2487.01
Security backplate slim with pull protection PZ55 antique chrome	W2500.2487.81
Security backplate slim with pull protection PZ72 antique chrome	W2500.2487.82
Security backplate slim with pull protection PZ92 antique chrome	W2500.2487.83
Security backplate slim outside Blind matt black, 31mm wide	W3000.2487.01
Security backplate slim with pull protection PZ55 matt black	W3000.2487.81
Security backplate slim with pull protection PZ72 matt black	W3000.2487.82
Security backplate slim with pull protection PZ92 matt black	W3000.2487.83

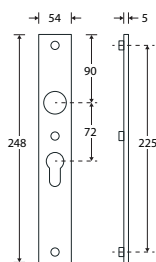
SLIM SECURITY BACKPLATE OUTSIDE

DESCRIPTION NUMBER

Security backplate slim outside Blind brass unlacquered	W0200.2487.01
Security backplate slim outside PZ55 brass unlacquered	W0200.2487.26
Security backplate slim outside PZ72 brass unlacquered	W0200.2487.29
Security backplate slim outside PZ92 brass unlacquered	W0200.2487.39
Security backplate slim outside Blind polished brass PVD	W0300.2487.01
Security backplate slim outside PZ55 polished brass PVD	W0300.2487.26
Security backplate slim outside PZ72 polished brass PVD	W0300.2487.29
Security backplate slim outside PZ92 polished brass PVD	W0300.2487.39
Security backplate slim outside Blind satin nickel PVD	W1400.2487.01
Security backplate slim outside PZ55 satin nickel PVD	W1400.2487.26
Security backplate slim outside PZ72 satin nickel PVD	W1400.2487.29
Security backplate slim outside PZ92 satin nickel PVD	W1400.2487.39
Security backplate slim outside Blind polished chrome	W2100.2487.01
Security backplate slim outside PZ55 polished chrome	W2100.2487.26
Security backplate slim outside PZ72 polished chrome	W2100.2487.29
Security backplate slim outside PZ92 polished chrome	W2100.2487.39
Security backplate slim outside Blind satin chrome	W2300.2487.01
Security backplate slim outside PZ55 satin chrome	W2300.2487.26
Security backplate slim outside PZ72 satin chrome	W2300.2487.29
Security backplate slim outside PZ92 satin chrome	W2300.2487.39
Security backplate slim outside Blind antique chrome	W2500.2487.01
Security backplate slim outside PZ55 antique chrome	W2500.2487.26
Security backplate slim outside PZ72 antique chrome	W2500.2487.29
Security backplate slim outside PZ92 antique chrome	W2500.2487.39
Security backplate slim outside Blind matt black	W3000.2487.01
Security backplate slim outside PZ55 matt black	W3000.2487.26
Security backplate slim outside PZ72 matt black	W3000.2487.29
Security backplate slim outside PZ92 matt black	W3000.2487.39



W1100.2480.28



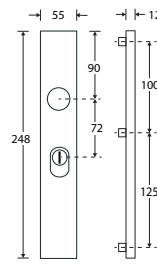
BAUHAUS-STYLE SECURITY BACKPLATE INSIDE

DESCRIPTION	NUMBER
Security backplate inside PZ55 brass lacquered	W0100.2480.25
Security backplate inside PZ72 brass lacquered	W0100.2480.28
Security backplate inside PZ92 brass lacquered	W0100.2480.38
Security backplate inside PZ55 brass unlacquered	W0200.2480.25
Security backplate inside PZ72 brass unlacquered	W0200.2480.28
Security backplate inside PZ92 brass unlacquered	W0200.2480.38
Security backplate inside PZ55 brass antique	W0500.2480.25
Security backplate inside PZ72 brass antique	W0500.2480.28
Security backplate inside PZ92 brass antique	W0500.2480.38
Security backplate inside PZ55 polished nickel	W1100.2480.25
Security backplate inside PZ72 polished nickel	W1100.2480.28
Security backplate inside PZ92 polished nickel	W1100.2480.38
Security backplate inside PZ55 satin nickel unlacquered	W1300.2480.25
Security backplate inside PZ72 satin nickel unlacquered	W1300.2480.28
Security backplate inside PZ92 satin nickel unlacquered	W1300.2480.38
Security backplate inside PZ55 polished chrome	W2100.2480.25
Security backplate inside PZ72 polished chrome	W2100.2480.28
Security backplate inside PZ92 polished chrome	W2100.2480.38
Security backplate inside PZ55 satin chrome	W2300.2480.25
Security backplate inside PZ72 satin chrome	W2300.2480.28
Security backplate inside PZ92 satin chrome	W2300.2480.38
Security backplate inside PZ55 matt black	W3000.2480.25
Security backplate inside PZ72 matt black	W3000.2480.28
Security backplate inside PZ92 matt black	W3000.2480.38

BAUHAUS-STYLE SECURITY BACKPLATE WITH PULL PROTECTION

DESCRIPTION NUMBER

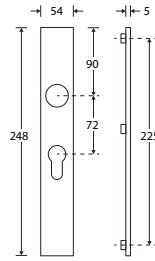
Security backplate outside Blind brass unlacquered	W0200.2481.01
Security backplate with pull protection PZ55 brass unlacquered	W0200.2481.81
Security backplate with pull protection PZ72 brass unlacquered	W0200.2481.82
Security backplate with pull protection PZ92 brass unlacquered	W0200.2481.83
Security backplate outside Blind polished brass PVD	W0300.2481.01
Security backplate with pull protection PZ55 polished brass PVD	W0300.2481.81
Security backplate with pull protection PZ72 polished brass PVD	W0300.2481.82
Security backplate with pull protection PZ92 polished brass PVD	W0300.2481.83
Security backplate outside Blind brass antique	W0500.2481.01
Security backplate with pull protection PZ55 brass antique	W0500.2481.81
Security backplate with pull protection PZ72 brass antique	W0500.2481.82
Security backplate with pull protection PZ92 brass antique	W0500.2481.83
Security backplate outside Blind satin nickel PVD	W1400.2481.01
Security backplate with pull protection PZ55 satin nickel PVD	W1400.2481.81
Security backplate with pull protection PZ72 satin nickel PVD	W1400.2481.82
Security backplate with pull protection PZ92 satin nickel PVD	W1400.2481.83
Security backplate outside Blind polished chrome	W2100.2481.01
Security backplate with pull protection PZ55 polished chrome	W2100.2481.81
Security backplate with pull protection PZ72 polished chrome	W2100.2481.82
Security backplate with pull protection PZ92 polished chrome	W2100.2481.83
Security backplate outside Blind satin chrome	W2300.2481.01
Security backplate with pull protection PZ55 satin chrome	W2300.2481.81
Security backplate with pull protection PZ72 satin chrome	W2300.2481.82
Security backplate with pull protection PZ92 satin chrome	W2300.2481.83
Security backplate outside Blind matt black	W3000.2481.01
Security backplate with pull protection PZ55 matt black	W3000.2481.81
Security backplate with pull protection PZ72 matt black	W3000.2481.82
Security backplate with pull protection PZ92 matt black	W3000.2481.83



W2100.2481.82



W2100.2481.29



BAUHAUS-STYLE SECURITY BACKPLATE OUTSIDE

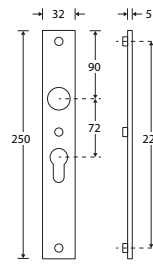
DESCRIPTION	NUMBER
Security backplate outside Blind brass unlacquered	W0200.2481.01
Security backplate outside PZ55 brass unlacquered	W0200.2481.26
Security backplate outside PZ72 brass unlacquered	W0200.2481.29
Security backplate outside PZ92 brass unlacquered	W0200.2481.39
Security backplate outside Blind polished brass PVD	W0300.2481.01
Security backplate outside PZ55 polished brass PVD	W0300.2481.26
Security backplate outside PZ72 polished brass PVD	W0300.2481.29
Security backplate outside PZ92 polished brass PVD	W0300.2481.39
Security backplate outside Blind brass antique	W0500.2481.01
Security backplate outside PZ55 brass antique	W0500.2481.26
Security backplate outside PZ72 brass antique	W0500.2481.29
Security backplate outside PZ92 brass antique	W0500.2481.39
Security backplate outside Blind satin nickel PVD	W1400.2481.01
Security backplate outside PZ55 satin nickel PVD	W1400.2481.26
Security backplate outside PZ72 satin nickel PVD	W1400.2481.29
Security backplate outside PZ92 satin nickel PVD	W1400.2481.39
Security backplate outside Blind polished chrome	W2100.2481.01
Security backplate outside PZ55 polished chrome	W2100.2481.26
Security backplate outside PZ72 polished chrome	W2100.2481.29
Security backplate outside PZ92 polished chrome	W2100.2481.39
Security backplate outside Blind satin chrome	W2300.2481.01
Security backplate outside PZ55 satin chrome	W2300.2481.26
Security backplate outside PZ72 satin chrome	W2300.2481.29
Security backplate outside PZ92 satin chrome	W2300.2481.39
Security backplate outside Blind matt black	W3000.2481.01
Security backplate outside PZ55 matt black	W3000.2481.26
Security backplate outside PZ72 matt black	W3000.2481.29
Security backplate outside PZ92 matt black	W3000.2481.39

BAUHAUS-STYLE SLIM SECURITY BACKPLATE INSIDE

DESCRIPTION

NUMBER

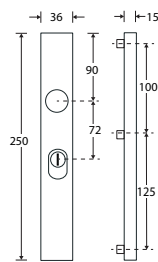
Security backplate slim inside PZ55 brass lacquered	W0100.2482.25
Security backplate slim inside PZ72 brass lacquered	W0100.2482.28
Security backplate slim inside PZ92 brass lacquered	W0100.2482.38
Security backplate slim inside PZ55 brass unlacquered	W0200.2482.25
Security backplate slim inside PZ72 brass unlacquered	W0200.2482.28
Security backplate slim inside PZ92 brass unlacquered	W0200.2482.38
Security backplate slim inside PZ55 brass antique	W0500.2482.25
Security backplate slim inside PZ72 brass antique	W0500.2482.28
Security backplate slim inside PZ92 brass antique	W0500.2482.38
Security backplate slim inside PZ55 polished nickel	W1100.2482.25
Security backplate slim inside PZ72 polished nickel	W1100.2482.28
Security backplate slim inside PZ92 polished nickel	W1100.2482.38
Security backplate slim inside PZ55 satin nickel unlacquered	W1300.2482.25
Security backplate slim inside PZ72 satin nickel unlacquered	W1300.2482.28
Security backplate slim inside PZ92 satin nickel unlacquered	W1300.2482.38
Security backplate slim inside PZ55 polished chrome	W2100.2482.25
Security backplate slim inside PZ72 polished chrome	W2100.2482.28
Security backplate slim inside PZ92 polished chrome	W2100.2482.38
Security backplate slim inside PZ55 satin chrome	W2300.2482.25
Security backplate slim inside PZ72 satin chrome	W2300.2482.28
Security backplate slim inside PZ92 satin chrome	W2300.2482.38
Security backplate slim inside PZ55 matt black	W3000.2482.25
Security backplate slim inside PZ72 matt black	W3000.2482.28
Security backplate slim inside PZ92 matt black	W3000.2482.38



W1100.2482.28



W2100.2400.82



BAUHAUS-STYLE SLIM SECURITY BACKPLATE WITH PULL PROTECTION

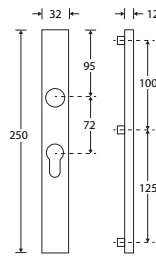
DESCRIPTION	NUMBER
Security backplate slim outside Blind brass unlacquered, 32mm wide	W0200.2400.01
Security backplate slim with pull protection PZ55 brass unlacquered	W0200.2400.81
Security backplate slim with pull protection PZ72 brass unlacquered	W0200.2400.82
Security backplate slim with pull protection PZ92 brass unlacquered	W0200.2400.83
Security backplate slim outside Blind polished brass PVD, 32mm wide	W0300.2400.01
Security backplate slim with pull protection PZ55 polished brass PVD	W0300.2400.81
Security backplate slim with pull protection PZ72 polished brass PVD	W0300.2400.82
Security backplate slim with pull protection PZ92 polished brass PVD	W0300.2400.83
Security backplate slim outside Blind brass antique, 32mm wide	W0500.2400.01
Security backplate slim with pull protection PZ55 brass antique	W0500.2400.81
Security backplate slim with pull protection PZ72 brass antique	W0500.2400.82
Security backplate slim with pull protection PZ92 brass antique	W0500.2400.83
Security backplate slim outside Blind satin nickel PVD, 32mm wide	W1400.2400.01
Security backplate slim with pull protection PZ55 satin nickel PVD	W1400.2400.81
Security backplate slim with pull protection PZ72 satin nickel PVD	W1400.2400.82
Security backplate slim with pull protection PZ92 satin nickel PVD	W1400.2400.83
Security backplate slim outside Blind polished chrome, 32mm wide	W2100.2400.01
Security backplate slim with pull protection PZ55 polished chrome	W2100.2400.81
Security backplate slim with pull protection PZ72 polished chrome	W2100.2400.82
Security backplate slim with pull protection PZ92 polished chrome	W2100.2400.83
Security backplate slim outside Blind satin chrome, 32mm wide	W2300.2400.01
Security backplate slim with pull protection PZ55 satin chrome	W2300.2400.81
Security backplate slim with pull protection PZ72 satin chrome	W2300.2400.82
Security backplate slim with pull protection PZ92 satin chrome	W2300.2400.83
Security backplate slim outside Blind matt black, 32mm wide	W3000.2400.01
Security backplate slim with pull protection PZ55 matt black	W3000.2400.81
Security backplate slim with pull protection PZ72 matt black	W3000.2400.82
Security backplate slim with pull protection PZ92 matt black	W3000.2400.83

BAUHAUS-STYLE SLIM SECURITY BACKPLATE OUTSIDE

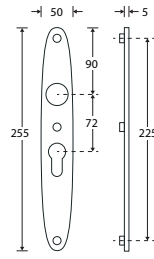
DESCRIPTION	NUMBER
Security backplate slim outside Blind brass unlacquered	W0200.2400.01
Security backplate slim outside PZ55 brass unlacquered	W0200.2400.26
Security backplate slim outside PZ72 brass unlacquered	W0200.2400.29
Security backplate slim outside PZ92 brass unlacquered	W0200.2400.39
Security backplate slim outside Blind polished brass PVD	W0300.2400.01
Security backplate slim outside PZ55 polished brass PVD	W0300.2400.26
Security backplate slim outside PZ72 polished brass PVD	W0300.2400.29
Security backplate slim outside PZ92 polished brass PVD	W0300.2400.39
Security backplate slim outside Blind brass antique	W0500.2400.01
Security backplate slim outside PZ55 brass antique	W0500.2400.26
Security backplate slim outside PZ72 brass antique	W0500.2400.29
Security backplate slim outside PZ92 brass antique	W0500.2400.39
Security backplate slim outside Blind satin nickel PVD	W1400.2400.01
Security backplate slim outside PZ55 satin nickel PVD	W1400.2400.26
Security backplate slim outside PZ72 satin nickel PVD	W1400.2400.29
Security backplate slim outside PZ92 satin nickel PVD	W1400.2400.39
Security backplate slim outside Blind polished chrome	W2100.2400.01
Security backplate slim outside PZ55 polished chrome	W2100.2400.26
Security backplate slim outside PZ72 polished chrome	W2100.2400.29
Security backplate slim outside PZ92 polished chrome	W2100.2400.39
Security backplate slim outside Blind satin chrome	W2300.2400.01
Security backplate slim outside PZ55 satin chrome	W2300.2400.26
Security backplate slim outside PZ72 satin chrome	W2300.2400.29
Security backplate slim outside PZ92 satin chrome	W2300.2400.39
Security backplate slim outside Blind matt black	W3000.2400.01
Security backplate slim outside PZ55 matt black	W3000.2400.26
Security backplate slim outside PZ72 matt black	W3000.2400.29
Security backplate slim outside PZ92 matt black	W3000.2400.39



W2100.2400.29



W1100.2492.28

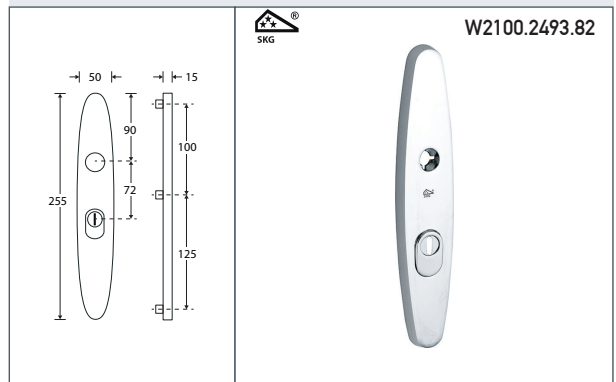


ELLIPSE SECURITY BACKPLATE INSIDE

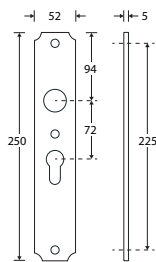
DESCRIPTION	NUMBER
Security backplate inside PZ55 brass lacquered	W0100.2492.25
Security backplate inside PZ72 brass lacquered	W0100.2492.28
Security backplate inside PZ92 brass lacquered	W0100.2492.38
Security backplate inside PZ55 brass unlacquered	W0200.2492.25
Security backplate inside PZ72 brass unlacquered	W0200.2492.28
Security backplate inside PZ92 brass unlacquered	W0200.2492.38
Security backplate inside PZ55 brass antique	W0500.2492.25
Security backplate inside PZ72 brass antique	W0500.2492.28
Security backplate inside PZ92 brass antique	W0500.2492.38
Security backplate inside PZ55 polished nickel	W1100.2492.25
Security backplate inside PZ72 polished nickel	W1100.2492.28
Security backplate inside PZ92 polished nickel	W1100.2492.38
Security backplate inside PZ55 satin nickel unlacquered	W1300.2492.25
Security backplate inside PZ72 satin nickel unlacquered	W1300.2492.28
Security backplate inside PZ92 satin nickel unlacquered	W1300.2492.38
Security backplate inside PZ55 antique nickel unlacquered	W1600.2492.25
Security backplate inside PZ72 antique nickel unlacquered	W1600.2492.28
Security backplate inside PZ92 antique nickel unlacquered	W1600.2492.38
Security backplate inside PZ55 polished chrome	W2100.2492.25
Security backplate inside PZ72 polished chrome	W2100.2492.28
Security backplate inside PZ92 polished chrome	W2100.2492.38
Security backplate inside PZ55 satin chrome	W2300.2492.25
Security backplate inside PZ72 satin chrome	W2300.2492.28
Security backplate inside PZ92 satin chrome	W2300.2492.38
Security backplate inside PZ55 matt black	W3000.2492.25
Security backplate inside PZ72 matt black	W3000.2492.28
Security backplate inside PZ92 matt black	W3000.2492.38

ELLIPSE SECURITY BACKPLATE WITH PULL PROTECTION

DESCRIPTION	NUMBER
Security backplate outside Blind brass unlacquered	W0200.2493.01
Security backplate with pull protection PZ55 brass unlacquered	W0200.2493.81
Security backplate with pull protection PZ72 brass unlacquered	W0200.2493.82
Security backplate with pull protection PZ92 brass unlacquered	W0200.2493.83
Security backplate outside Blind polished brass PVD	W0300.2493.01
Security backplate with pull protection PZ55 polished brass PVD	W0300.2493.81
Security backplate with pull protection PZ72 polished brass PVD	W0300.2493.82
Security backplate with pull protection PZ92 polished brass PVD	W0300.2493.83
Security backplate outside Blind brass antique	W0500.2493.01
Security backplate with pull protection PZ55 brass antique	W0500.2493.81
Security backplate with pull protection PZ72 brass antique	W0500.2493.82
Security backplate with pull protection PZ92 brass antique	W0500.2493.83
Security backplate outside Blind satin nickel PVD	W1400.2493.01
Security backplate with pull protection PZ55 satin nickel PVD	W1400.2493.81
Security backplate with pull protection PZ72 satin nickel PVD	W1400.2493.82
Security backplate with pull protection PZ92 satin nickel PVD	W1400.2493.83
Security backplate outside Blind polished chrome	W2100.2493.01
Security backplate with pull protection PZ55 polished chrome	W2100.2493.81
Security backplate with pull protection PZ72 polished chrome	W2100.2493.82
Security backplate with pull protection PZ92 polished chrome	W2100.2493.83
Security backplate outside Blind satin chrome	W2300.2493.01
Security backplate with pull protection PZ55 satin chrome	W2300.2493.81
Security backplate with pull protection PZ72 satin chrome	W2300.2493.82
Security backplate with pull protection PZ92 satin chrome	W2300.2493.83
Security backplate outside Blind antique chrome	W2500.2493.01
Security backplate with pull protection PZ55 antique chrome	W2500.2493.81
Security backplate with pull protection PZ72 antique chrome	W2500.2493.82
Security backplate with pull protection PZ92 antique chrome	W2500.2493.83
Security backplate outside Blind matt black	W3000.2493.01
Security backplate with pull protection PZ55 matt black	W3000.2493.81
Security backplate with pull protection PZ72 matt black	W3000.2493.82
Security backplate with pull protection PZ92 matt black	W3000.2493.83



W1100.2488.28



ART-NOUVEAU SECURITY BACKPLATE INSIDE

DESCRIPTION

NUMBER

Security backplate inside PZ55 brass lacquered	W0100.2488.25
Security backplate inside PZ72 brass lacquered	W0100.2488.28
Security backplate inside PZ92 brass lacquered	W0100.2488.38
Security backplate inside PZ55 brass unlacquered	W0200.2488.25
Security backplate inside PZ72 brass unlacquered	W0200.2488.28
Security backplate inside PZ92 brass unlacquered	W0200.2488.38
Security backplate inside PZ55 brass antique	W0500.2488.25
Security backplate inside PZ72 brass antique	W0500.2488.28
Security backplate inside PZ92 brass antique	W0500.2488.38
Security backplate inside PZ55 polished nickel	W1100.2488.25
Security backplate inside PZ72 polished nickel	W1100.2488.28
Security backplate inside PZ92 polished nickel	W1100.2488.38
Security backplate inside PZ55 satin nickel unlacquered	W1300.2488.25
Security backplate inside PZ72 satin nickel unlacquered	W1300.2488.28
Security backplate inside PZ92 satin nickel unlacquered	W1300.2488.38
Security backplate inside PZ55 antique nickel unlacquered	W1600.2488.25
Security backplate inside PZ72 antique nickel unlacquered	W1600.2488.28
Security backplate inside PZ92 antique nickel unlacquered	W1600.2488.38
Security backplate inside PZ55 polished chrome	W2100.2488.25
Security backplate inside PZ72 polished chrome	W2100.2488.28
Security backplate inside PZ92 polished chrome	W2100.2488.38
Security backplate inside PZ55 satin chrome	W2300.2488.25
Security backplate inside PZ72 satin chrome	W2300.2488.28
Security backplate inside PZ92 satin chrome	W2300.2488.38
Security backplate inside PZ55 matt black	W3000.2488.25
Security backplate inside PZ72 matt black	W3000.2488.28
Security backplate inside PZ92 matt black	W3000.2488.38

ART-NOUVEAU SECURITY BACKPLATE WITH PULL PROTECTION

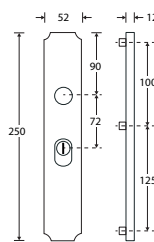
DESCRIPTION

NUMBER

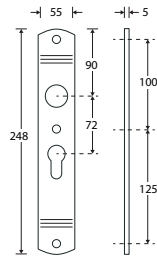
Security backplate outside Blind brass unlacquered	W0200.2489.01
Security backplate with pull protection PZ55 brass unlacquered	W0200.2489.81
Security backplate with pull protection PZ72 brass unlacquered	W0200.2489.82
Security backplate with pull protection PZ92 brass unlacquered	W0200.2489.83
Security backplate outside Blind polished brass PVD	W0300.2489.01
Security backplate with pull protection PZ55 polished brass PVD	W0300.2489.81
Security backplate with pull protection PZ72 polished brass PVD	W0300.2489.82
Security backplate with pull protection PZ92 polished brass PVD	W0300.2489.83
Security backplate outside Blind brass antique	W0500.2489.01
Security backplate with pull protection PZ55 brass antique	W0500.2489.81
Security backplate with pull protection PZ72 brass antique	W0500.2489.82
Security backplate with pull protection PZ92 brass antique	W0500.2489.83
Security backplate outside Blind satin nickel PVD	W1400.2489.01
Security backplate with pull protection PZ55 satin nickel PVD	W1400.2489.81
Security backplate with pull protection PZ72 satin nickel PVD	W1400.2489.82
Security backplate with pull protection PZ92 satin nickel PVD	W1400.2489.83
Security backplate outside Blind polished chrome	W2100.2489.01
Security backplate with pull protection PZ55 polished chrome	W2100.2489.81
Security backplate with pull protection PZ72 polished chrome	W2100.2489.82
Security backplate with pull protection PZ92 polished chrome	W2100.2489.83
Security backplate outside Blind satin chrome	W2300.2489.01
Security backplate with pull protection PZ55 satin chrome	W2300.2489.81
Security backplate with pull protection PZ72 satin chrome	W2300.2489.82
Security backplate with pull protection PZ92 satin chrome	W2300.2489.83
Security backplate outside Blind antique chrome	W2500.2489.01
Security backplate with pull protection PZ55 antique chrome	W2500.2489.81
Security backplate with pull protection PZ72 antique chrome	W2500.2489.82
Security backplate with pull protection PZ92 antique chrome	W2500.2489.83
Security backplate outside Blind matt black	W3000.2489.01
Security backplate with pull protection PZ55 matt black	W3000.2489.81
Security backplate with pull protection PZ72 matt black	W3000.2489.82
Security backplate with pull protection PZ92 matt black	W3000.2489.83



W2100.2489.82



W1100.2490.28



ART-DECO SECURITY BACKPLATE INSIDE

DESCRIPTION	NUMBER
Security backplate inside PZ55 brass lacquered	W0100.2490.25
Security backplate inside PZ72 brass lacquered	W0100.2490.28
Security backplate inside PZ92 brass lacquered	W0100.2490.38
Security backplate inside PZ55 brass unlacquered	W0200.2490.25
Security backplate inside PZ72 brass unlacquered	W0200.2490.28
Security backplate inside PZ92 brass unlacquered	W0200.2490.38
Security backplate inside PZ55 brass antique	W0500.2490.25
Security backplate inside PZ72 brass antique	W0500.2490.28
Security backplate inside PZ92 brass antique	W0500.2490.38
Security backplate inside PZ55 polished nickel	W1100.2490.25
Security backplate inside PZ72 polished nickel	W1100.2490.28
Security backplate inside PZ92 polished nickel	W1100.2490.38
Security backplate inside PZ55 satin nickel unlacquered	W1300.2490.25
Security backplate inside PZ72 satin nickel unlacquered	W1300.2490.28
Security backplate inside PZ92 satin nickel unlacquered	W1300.2490.38
Security backplate inside PZ55 antique nickel unlacquered	W1600.2490.25
Security backplate inside PZ72 antique nickel unlacquered	W1600.2490.28
Security backplate inside PZ92 antique nickel unlacquered	W1600.2490.38
Security backplate inside PZ55 polished chrome	W2100.2490.25
Security backplate inside PZ72 polished chrome	W2100.2490.28
Security backplate inside PZ92 polished chrome	W2100.2490.38
Security backplate inside PZ55 satin chrome	W2300.2490.25
Security backplate inside PZ72 satin chrome	W2300.2490.28
Security backplate inside PZ92 satin chrome	W2300.2490.38

ART-DECO SECURITY BACKPLATE WITH PULL PROTECTION

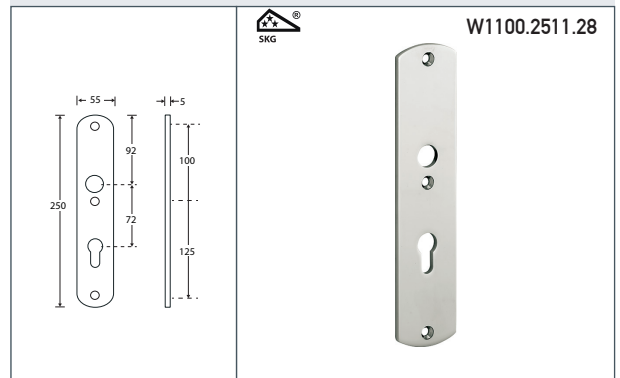
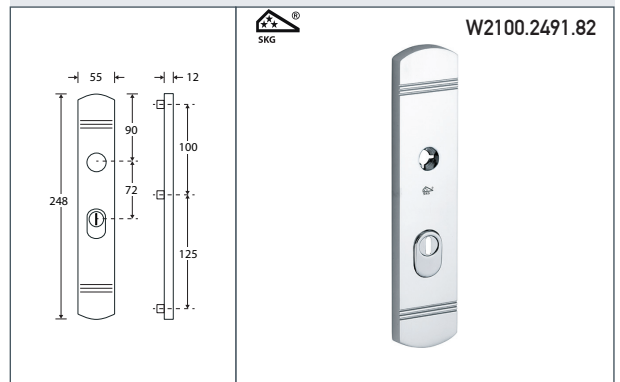
DESCRIPTION NUMBER

Security backplate outside Blind brass unlacquered	W0200.2491.01
Security backplate with pull protection PZ55 brass unlacquered	W0200.2491.81
Security backplate with pull protection PZ72 brass unlacquered	W0200.2491.82
Security backplate with pull protection PZ92 brass unlacquered	W0200.2491.83
Security backplate outside Blind polished brass PVD	W0300.2491.01
Security backplate with pull protection PZ55 polished brass PVD	W0300.2491.81
Security backplate with pull protection PZ72 polished brass PVD	W0300.2491.82
Security backplate with pull protection PZ92 polished brass PVD	W0300.2491.83
Security backplate outside Blind brass antique	W0500.2491.01
Security backplate with pull protection PZ55 brass antique	W0500.2491.81
Security backplate with pull protection PZ72 brass antique	W0500.2491.82
Security backplate with pull protection PZ92 brass antique	W0500.2491.83
Security backplate outside Blind satin nickel PVD	W1400.2491.01
Security backplate with pull protection PZ55 satin nickel PVD	W1400.2491.81
Security backplate with pull protection PZ72 satin nickel PVD	W1400.2491.82
Security backplate with pull protection PZ92 satin nickel PVD	W1400.2491.83
Security backplate outside Blind polished chrome	W2100.2491.01
Security backplate with pull protection PZ55 polished chrome	W2100.2491.81
Security backplate with pull protection PZ72 polished chrome	W2100.2491.82
Security backplate with pull protection PZ92 polished chrome	W2100.2491.83
Security backplate outside Blind satin chrome	W2300.2491.01
Security backplate with pull protection PZ55 satin chrome	W2300.2491.81
Security backplate with pull protection PZ72 satin chrome	W2300.2491.82
Security backplate with pull protection PZ92 satin chrome	W2300.2491.83
Security backplate outside Blind antique chrome	W2500.2491.01
Security backplate with pull protection PZ55 antique chrome	W2500.2491.81
Security backplate with pull protection PZ72 antique chrome	W2500.2491.82
Security backplate with pull protection PZ92 antique chrome	W2500.2491.83

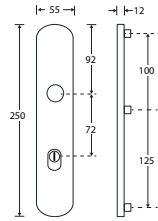
DUAL SECURITY BACKPLATE INSIDE

DESCRIPTION NUMBER

Security backplate inside PZ55 polished nickel	W1100.2511.25
Security backplate inside PZ72 polished nickel	W1100.2511.28
Security backplate inside PZ92 polished nickel	W1100.2511.38
Security backplate inside PZ55 satin nickel unlacquered	W1300.2511.25
Security backplate inside PZ72 satin nickel unlacquered	W1300.2511.28
Security backplate inside PZ92 satin nickel unlacquered	W1300.2511.38



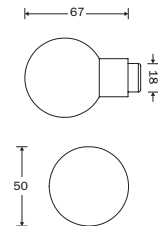
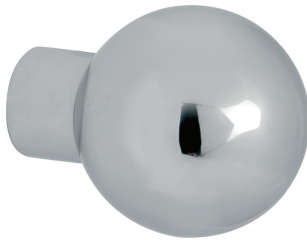
W2100.2511.82



DUAL SECURITY BACKPLATE WITH PULL PROTECTION

DESCRIPTION	NUMBER
Security backplate outside Blind satin nickel PVD	W1400.2511.01
Security backplate with pull protection PZ55 satin nickel PVD	W1400.2511.81
Security backplate with pull protection PZ72 satin nickel PVD	W1400.2511.82
Security backplate with pull protection PZ92 satin nickel PVD	W1400.2511.83
Security backplate outside Blind polished chrome	W2100.2511.01
Security backplate with pull protection PZ55 polished chrome	W2100.2511.81
Security backplate with pull protection PZ72 polished chrome	W2100.2511.82
Security backplate with pull protection PZ92 polished chrome	W2100.2511.83

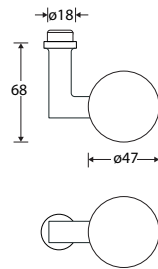
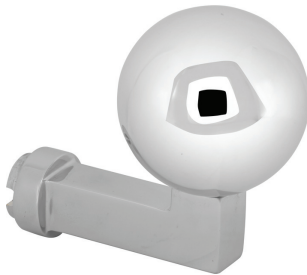
W2100.2502.90



BALL KNOB FOR SECURITY BACKPLATES AND ROSETTES

DESCRIPTION	NUMBER
Knob for security backplates and rosettes brass unlacquered	W0200.2502.90
Knob for security backplates and rosettes polished brass PVD	W0300.2502.90
Knob for security backplates and rosettes brass antique	W0500.2502.90
Knob for security backplates and rosettes satin nickel PVD	W1400.2502.90
Knob for security backplates and rosettes polished chrome	W2100.2502.90
Knob for security backplates and rosettes satin chrome	W2300.2502.90
Knob for security backplates and rosettes matt black	W3000.2502.90

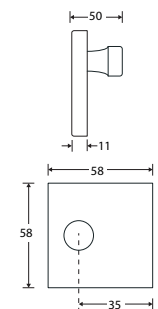
W2100.2503.90



BAUHAUS-STYLE BALL KNOB OFF CENTER FOR SECURITY BACKPLATES AND ROSES

DESCRIPTION	NUMBER
Ball knob off center for security backplates and roses brass unlacquered	W0200.2503.90
Ball knob off center for security backplates and roses polished brass PVD	W0300.2503.90
Ball knob off center for security backplates and roses brass antique	W0500.2503.90
Ball knob off center for security backplates and roses satin nickel PVD	W1400.2503.90
Ball knob off center for security backplates and roses polished chrome	W2100.2503.90
Ball knob off center for security backplates and roses satin chrome	W2300.2503.90
Ball knob off center for security backplates and roses matt black	W3000.2503.90

W2100.2498.90

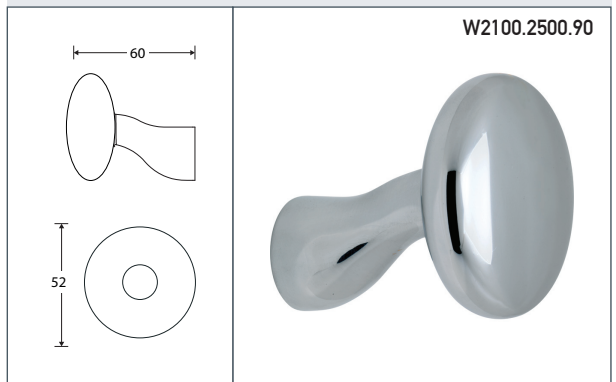


BAUHAUS-STYLE KNOB OFF CENTER FOR SECURITY BACKPLATES AND ROSES

DESCRIPTION	NUMBER
Knob off center for security backplates and roses brass unlacquered	W0200.2498.90
Knob off center for security backplates and roses polished brass PVD	W0300.2498.90
Knob off center for security backplates and roses brass antique	W0500.2498.90
Knob off center for security backplates and roses satin nickel PVD	W1400.2498.90
Knob off center for security backplates and roses polished chrome	W2100.2498.90
Knob off center for security backplates and roses satin chrome	W2300.2498.90
Knob off center for security backplates and roses matt black	W3000.2498.90

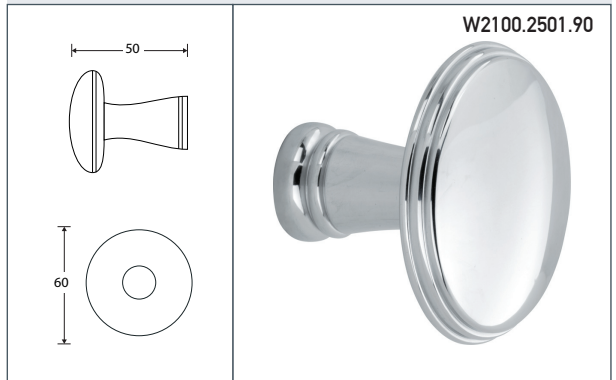
FUNGO KNOB OFF CENTER FOR SECURITY BACKPLATES AND ROSES

DESCRIPTION	NUMBER
Knob off center for security backplates and roses brass unlacquered	W0200.2500.90
Knob off center for security backplates and roses polished brass PVD	W0300.2500.90
Knob off center for security backplates and roses brass antique	W0500.2500.90
Knob off center for security backplates and roses satin nickel PVD	W1400.2500.90
Knob off center for security backplates and roses polished chrome	W2100.2500.90
Knob off center for security backplates and roses satin chrome	W2300.2500.90
Knob off center for security backplates and roses antique chrome	W2500.2500.90
Knob off center for security backplates and roses matt black	W3000.2500.90



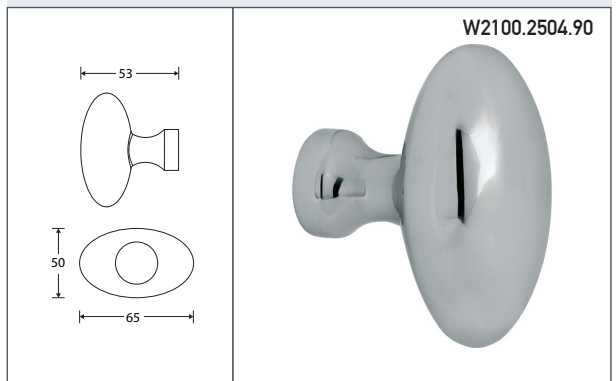
ART-DECO KNOB FOR SECURITY BACKPLATES AND ROSETTES

DESCRIPTION	NUMBER
Knob for security backplates and rosettes brass unlacquered	W0200.2501.90
Knob for security backplates and rosettes polished brass PVD	W0300.2501.90
Knob for security backplates and rosettes satin nickel PVD	W1400.2501.90
Knob for security backplates and rosettes polished chrome	W2100.2501.90
Knob for security backplates and rosettes satin chrome	W2300.2501.90



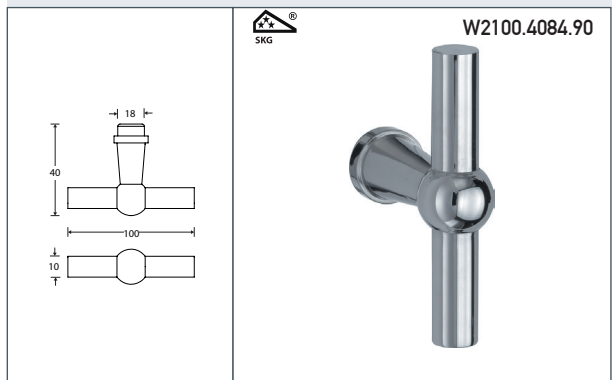
EGG KNOB FOR SECURITY BACKPLATES AND ROSETTES

DESCRIPTION	NUMBER
Knob for security backplates and rosettes brass unlacquered	W0200.2504.90
Knob for security backplates and rosettes polished brass PVD	W0300.2504.90
Knob for security backplates and rosettes brass antique	W0500.2504.90
Knob for security backplates and rosettes satin nickel PVD	W1400.2504.90
Knob for security backplates and rosettes polished chrome	W2100.2504.90
Knob for security backplates and rosettes satin chrome	W2300.2504.90
Knob for security backplates and rosettes matt black	W3000.2504.90

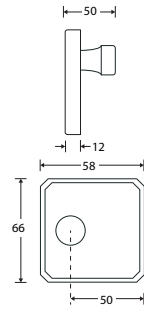


CHEMIN DE FER T KNOB FOR SECURITY BACKPLATES AND ROSETTES

DESCRIPTION	NUMBER
Knob for security backplates and rosettes brass unlacquered	W0200.4084.90
Knob for security backplates and rosettes brass antique	W0500.4084.90
Knob for security backplates and rosettes satin nickel PVD	W1400.4084.90
Knob for security backplates and rosettes polished chrome	W2100.4084.90
Knob for security backplates and rosettes matt black	W3000.4084.90



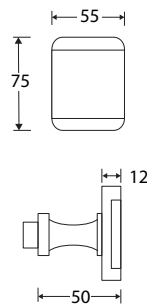
W2100.2499.90



ART-NOUVEAU KNOB OFF CENTER FOR SECURITY BACKPLATES AND ROSES

DESCRIPTION	NUMBER
Knob off center for security backplates and roses brass unlacquered	W0200.2499.90
Knob off center for security backplates and roses polished brass PVD	W0300.2499.90
Knob off center for security backplates and roses satin nickel PVD	W1400.2499.90
Knob off center for security backplates and roses polished chrome	W2100.2499.90
Knob off center for security backplates and roses satin chrome	W2300.2499.90
Knob off center for security backplates and roses antique chrome	W2500.2499.90
Knob off center for security backplates and roses matt black	W3000.2499.90

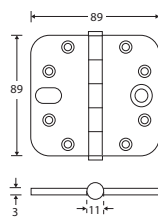
W2100.2512.90



DUAL KNOB FOR SECURITY BACKPLATES AND ROSETTES

DESCRIPTION	NUMBER
Knob for security backplates and rosettes satin nickel PVD / matt black	W1400.2512.90
Knob for security backplates and rosettes polished chrome / matt black	W2100.2512.90

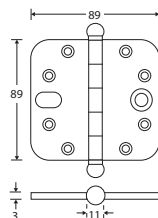
W2100.4060.90



SECURITY HINGE ROUND CORNER FLAT

DESCRIPTION	NUMBER
Security hinge round corner flat brass unlacquered	W0200.4060.90
Security hinge round corner flat polished brass PVD	W0300.4060.90
Security hinge round corner flat satin nickel PVD	W1400.4060.90
Security hinge round corner flat polished chrome	W2100.4060.90
Security hinge round corner flat satin chrome	W2300.4060.90
Security hinge round corner flat matt black	W3000.4060.90

W2100.4061.90

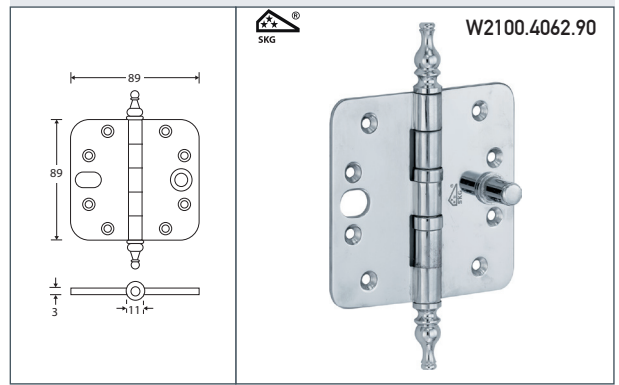


SECURITY HINGE ROUND CORNER BALL

DESCRIPTION	NUMBER
Security hinge round corner ball brass unlacquered	W0200.4061.90
Security hinge round corner ball polished brass PVD	W0300.4061.90
Security hinge round corner ball satin nickel PVD	W1400.4061.90
Security hinge round corner ball polished chrome	W2100.4061.90
Security hinge round corner ball satin chrome	W2300.4061.90
Security hinge round corner ball matt black	W3000.4061.90

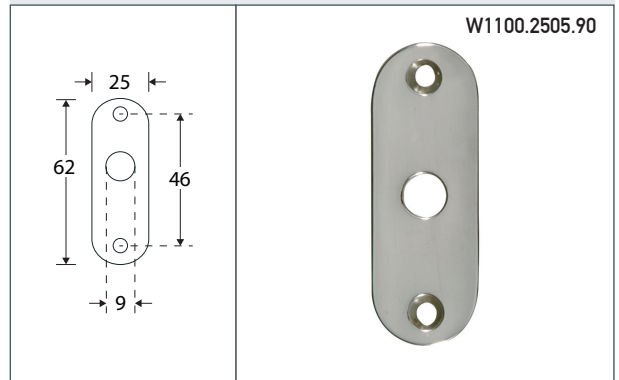
SECURITY HINGE ROUND CORNER CROWN

DESCRIPTION	NUMBER
Security hinge round corner crown brass unlacquered	W0200.4062.90
Security hinge round corner crown polished brass PVD	W0300.4062.90
Security hinge round corner crown satin nickel PVD	W1400.4062.90
Security hinge round corner crown polished chrome	W2100.4062.90
Security hinge round corner crown satin chrome	W2300.4062.90
Security hinge round corner crown matt black	W3000.4062.90



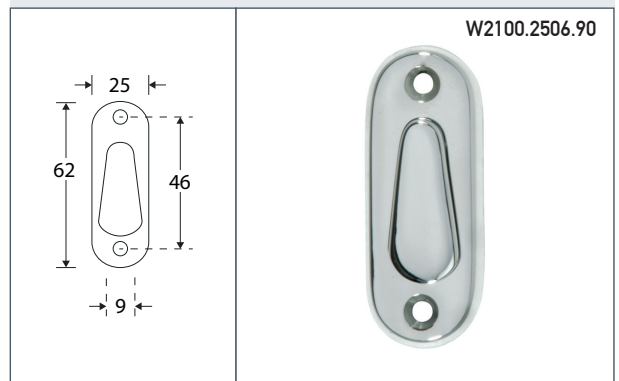
PIN LOCK COVER ROSETTE OPEN

DESCRIPTION	NUMBER
Pin lock cover rosette open brass lacquered	W0100.2505.90
Pin lock cover rosette open brass unlacquered	W0200.2505.90
Pin lock cover rosette open polished nickel	W1100.2505.90
Pin lock cover rosette open satin nickel unlacquered	W1300.2505.90
Pin lock cover rosette open polished chrome	W2100.2505.90
Pin lock cover rosette open satin chrome	W2300.2505.90
Pin lock cover rosette open matt black	W3000.2505.90



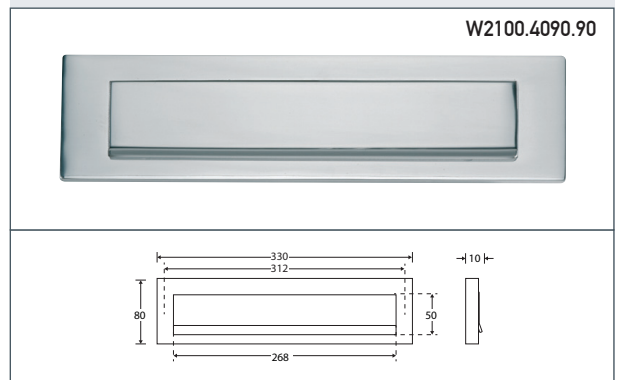
PIN LOCK COVER ROSETTE CONCEALED

DESCRIPTION	NUMBER
Pin lock cover rosette concealed brass unlacquered	W0200.2506.90
Pin lock cover rosette concealed polished brass PVD	W0300.2506.90
Pin lock cover rosette concealed satin nickel PVD	W1400.2506.90
Pin lock cover rosette concealed polished chrome	W2100.2506.90
Pin lock cover rosette concealed satin chrome	W2300.2506.90
Pin lock cover rosette concealed matt black	W3000.2506.90

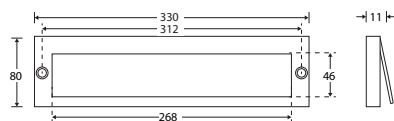
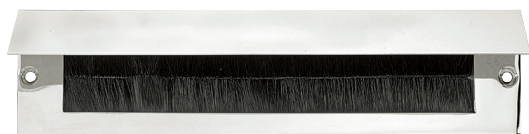


LETTER PLATE RECTANGULAR

DESCRIPTION	NUMBER
Letter plate rectangular brass unlacquered	W0200.4090.90
Letter plate rectangular polished brass PVD	W0300.4090.90
Letter plate rectangular brass antique	W0500.4090.90
Letter plate rectangular satin nickel PVD	W1400.4090.90
Letter plate rectangular polished chrome	W2100.4090.90
Letter plate rectangular satin chrome	W2300.4090.90
Letter plate rectangular antique chrome	W2500.4090.90
Letter plate rectangular matt black	W3000.4090.90



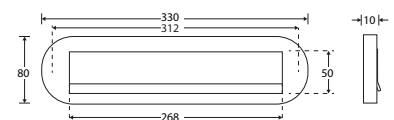
W1100.4092.90



DRAUGHT FLAP RECTANGULAR WITH BRUSH

DESCRIPTION	NUMBER
Draught flap rectangular with brush brass lacquered	W0100.4092.90
Draught flap rectangular with brush brass unlacquered	W0200.4092.90
Draught flap rectangular with brush brass antique	W0500.4092.90
Draught flap rectangular with brush polished nickel	W1100.4092.90
Draught flap rectangular with brush satin nickel unlacquered	W1300.4092.90
Draught flap rectangular with brush antique nickel unlacquered	W1600.4092.90
Draught flap rectangular with brush polished chrome	W2100.4092.90
Draught flap rectangular with brush satin chrome	W2300.4092.90
Draught flap rectangular with brush matt black	W3000.4092.90

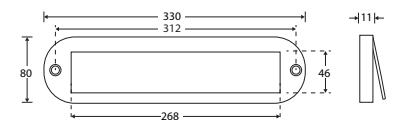
W2100.4091.90



LETTER PLATE OVAL

DESCRIPTION	NUMBER
Letter plate oval brass unlacquered	W0200.4091.90
Letter plate oval polished brass PVD	W0300.4091.90
Letter plate oval brass antique	W0500.4091.90
Letter plate oval satin nickel PVD	W1400.4091.90
Letter plate oval polished chrome	W2100.4091.90
Letter plate oval satin chrome	W2300.4091.90
Letter plate oval antique chrome	W2500.4091.90
Letter plate oval matt black	W3000.4091.90

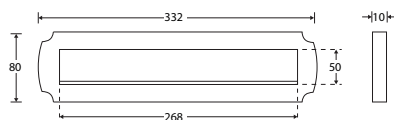
W1100.4093.90



DRAUGHT FLAP OVAL WITH BRUSH

DESCRIPTION	NUMBER
Draught flap oval with brush brass lacquered	W0100.4093.90
Draught flap oval with brush brass unlacquered	W0200.4093.90
Draught flap oval with brush brass antique	W0500.4093.90
Draught flap oval with brush polished nickel	W1100.4093.90
Draught flap oval with brush satin nickel unlacquered	W1300.4093.90
Draught flap oval with brush antique nickel unlacquered	W1600.4093.90
Draught flap oval with brush polished chrome	W2100.4093.90
Draught flap oval with brush satin chrome	W2300.4093.90
Draught flap oval with brush matt black	W3000.4093.90

W2100.4004.90



LETTER PLATE ART-NOUVEAU

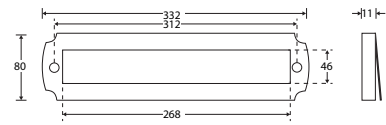
DESCRIPTION	NUMBER
Letter plate Art-Nouveau brass unlacquered	W0200.4004.90
Letter plate Art-Nouveau polished brass PVD	W0300.4004.90
Letter plate Art-Nouveau polished chrome	W2100.4004.90
Letter plate Art-Nouveau satin chrome	W2300.4004.90
Letter plate Art-Nouveau antique chrome	W2500.4004.90
Letter plate Art-Nouveau matt black	W3000.4004.90

DRAUGHT FLAP ART-NOUVEAU WITH BRUSH

DESCRIPTION NUMBER

Draught flap Art-Nouveau with brush brass lacquered	W0100.4098.90
Draught flap Art-Nouveau with brush brass unlacquered	W0200.4098.90
Draught flap Art-Nouveau with brush polished nickel	W1100.4098.90
Draught flap Art-Nouveau with brush antique nickel unlacquered	W1600.4098.90
Draught flap Art-Nouveau with brush matt black	W3000.4098.90

W1100.4098.90



VERTA LETTER PLATE

DESCRIPTION NUMBER

Letter plate brass unlacquered	W0200.4005.90
Letter plate polished brass PVD	W0300.4005.90
Letter plate brass antique	W0500.4005.90
Letter plate satin nickel PVD	W1400.4005.90
Letter plate polished chrome	W2100.4005.90
Letter plate satin chrome	W2300.4005.90
Letter plate antique chrome	W2500.4005.90
Letter plate matt black	W3000.4005.90

W2100.4005.90

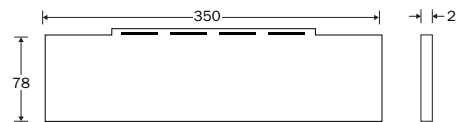


INSIDE LETTER PLATE FLAT WITH SPRING

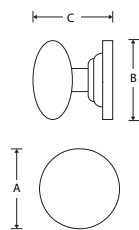
DESCRIPTION NUMBER

Inside letter plate flat with spring brass lacquered	W0100.4094.90
Inside letter plate flat with spring polished nickel	W1100.4094.90
Inside letter plate flat with spring satin nickel unlacquered	W1300.4094.90
Inside letter plate flat with spring polished chrome	W2100.4094.90
Inside letter plate flat with spring satin chrome	W2300.4094.90
Inside letter plate flat with spring matt black	W3000.4094.90

W1100.4094.90



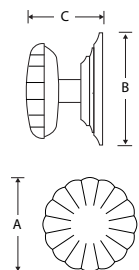
W2100.4007.90



FUNGO FRONT DOOR KNOB

DESCRIPTION	A	B	C	NUMBER
Front door knob brass unlacquered	Ø60 mm	78 mm	67 mm	W0200.4007.90
Front door knob polished brass PVD	Ø60 mm	78 mm	67 mm	W0300.4007.90
Front door knob satin nickel PVD	Ø60 mm	78 mm	67 mm	W1400.4007.90
Front door knob polished chrome	Ø60 mm	78 mm	67 mm	W2100.4007.90
Front door knob satin chrome	Ø60 mm	78 mm	67 mm	W2300.4007.90
Front door knob antique chrome	Ø60 mm	78 mm	67 mm	W2500.4007.90
Front door knob matt black	Ø60 mm	78 mm	67 mm	W3000.4007.90
Front door knob brass unlacquered	Ø70 mm	90 mm	70 mm	W0200.4008.90
Front door knob polished brass PVD	Ø70 mm	90 mm	70 mm	W0300.4008.90
Front door knob satin nickel PVD	Ø70 mm	90 mm	70 mm	W1400.4008.90
Front door knob polished chrome	Ø70 mm	90 mm	70 mm	W2100.4008.90
Front door knob satin chrome	Ø70 mm	90 mm	70 mm	W2300.4008.90
Front door knob antique chrome	Ø70 mm	90 mm	70 mm	W2500.4008.90
Front door knob matt black	Ø70 mm	90 mm	70 mm	W3000.4008.90
Front door knob brass unlacquered	Ø90 mm	90 mm	74 mm	W0200.4083.90
Front door knob polished brass PVD	Ø90 mm	90 mm	74 mm	W0300.4083.90
Front door knob satin nickel PVD	Ø90 mm	90 mm	74 mm	W1400.4083.90
Front door knob polished chrome	Ø90 mm	90 mm	74 mm	W2100.4083.90
Front door knob satin chrome	Ø90 mm	90 mm	74 mm	W2300.4083.90
Front door knob antique chrome	Ø90 mm	90 mm	74 mm	W2500.4083.90
Front door knob matt black	Ø90 mm	90 mm	74 mm	W3000.4083.90

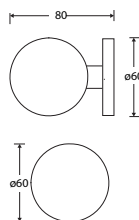
W2100.4105.90



NOUVEAU FRONT DOOR KNOB

DESCRIPTION	A	B	C	NUMBER
Front door knob polished brass PVD	Ø85 mm	105 mm	90 mm	W0300.4105.90
Front door knob polished brass PVD	Ø125 mm	160 mm	135 mm	W0300.4106.90
Front door knob polished chrome	Ø85 mm	105 mm	90 mm	W2100.4105.90
Front door knob polished chrome	Ø125 mm	160 mm	135 mm	W2100.4106.90
Front door knob antique chrome	Ø85 mm	105 mm	90 mm	W2500.4105.90
Front door knob antique chrome	Ø125 mm	160 mm	135 mm	W2500.4106.90

W2100.4010.90

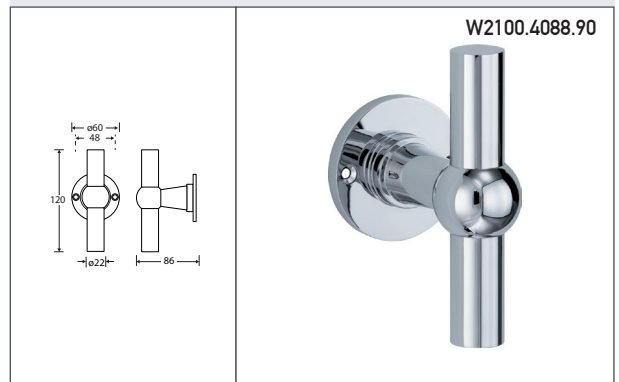


BALL FRONT DOOR KNOB

DESCRIPTION	NUMBER
Front door knob brass unlacquered	W0200.4010.90
Front door knob polished brass PVD	W0300.4010.90
Front door knob satin nickel PVD	W1400.4010.90
Front door knob polished chrome	W2100.4010.90
Front door knob satin chrome	W2300.4010.90
Front door knob matt black	W3000.4010.90

CHEMIN DE FER FRONT DOOR KNOB

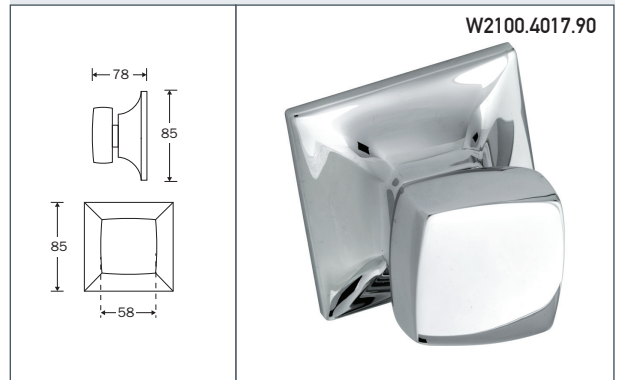
DESCRIPTION	NUMBER
Front door knob brass unlacquered	W0200.4088.90
Front door knob brass antique	W0500.4088.90
Front door knob satin nickel PVD	W1400.4088.90
Front door knob polished chrome	W2100.4088.90
Front door knob matt black	W3000.4088.90



W2100.4088.90

FIRENZE FRONT DOOR KNOB

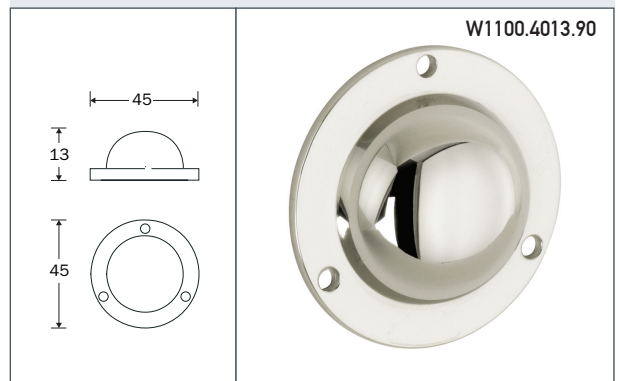
DESCRIPTION	NUMBER
Front door knob polished chrome	W2100.4017.90
Front door knob satin chrome	W2300.4017.90



W2100.4017.90

ELEGANT NUT CAP

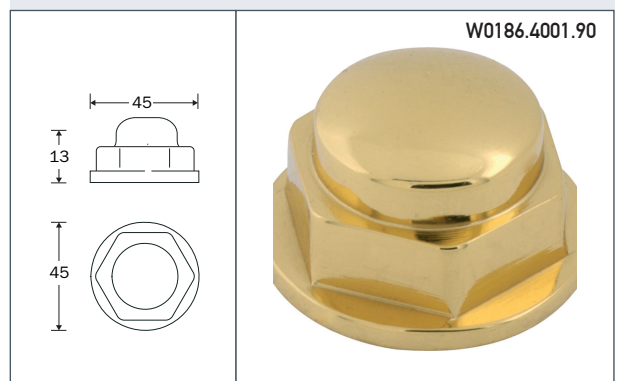
DESCRIPTION	NUMBER
Nut cap brass lacquered	W0100.4013.90
Nut cap brass unlacquered	W0200.4013.90
Nut cap brass antique	W0500.4013.90
Nut cap polished nickel	W1100.4013.90
Nut cap satin nickel unlacquered	W1300.4013.90
Nut cap antique nickel unlacquered	W1600.4013.90
Nut cap polished chrome	W2100.4013.90
Nut cap satin chrome	W2300.4013.90
Nut cap matt black	W3000.4013.90



W1100.4013.90

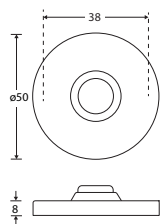
ORNAMENTAL CAP NUT

DESCRIPTION	NUMBER
Ornamental cap nut M6 brass lacquered	W0186.4001.90
Ornamental cap nut M8 brass lacquered	W0186.4002.90
Ornamental cap nut M10 brass lacquered	W0186.4003.90



W0186.4001.90

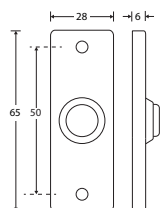
W2100.4016.90



VIVO DOORBELL ROUND

DESCRIPTION	NUMBER
Doorbell round brass unlacquered	W0200.4016.90
Doorbell round polished brass PVD	W0300.4016.90
Doorbell round brass antique	W0500.4016.90
Doorbell round satin nickel PVD	W1400.4016.90
Doorbell round polished chrome	W2100.4016.90
Doorbell round satin chrome	W2300.4016.90
Doorbell antique chrome	W2500.4016.90
Doorbell round matt black	W3000.4016.90

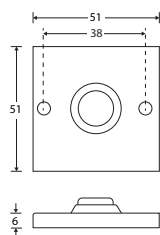
W2100.4014.90



ELEGANT DOORBELL RECTANGULAR

DESCRIPTION	NUMBER
Doorbell rectangular brass unlacquered	W0200.4014.90
Doorbell rectangular polished brass PVD	W0300.4014.90
Doorbell rectangular brass antique	W0500.4014.90
Doorbell rectangular satin nickel PVD	W1400.4014.90
Doorbell rectangular polished chrome	W2100.4014.90
Doorbell rectangular satin chrome	W2300.4014.90
Doorbell rectangular antique chrome	W2500.4014.90
Doorbell rectangular matt black	W3000.4014.90

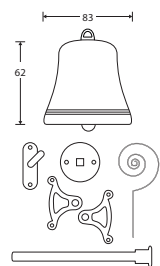
W2100.4015.90



BAUHAUS-STYLE DOORBELL SQUARE

DESCRIPTION	NUMBER
Doorbell square brass unlacquered	W0200.4015.90
Doorbell square polished brass PVD	W0300.4015.90
Doorbell square brass antique	W0500.4015.90
Doorbell square satin nickel PVD	W1400.4015.90
Doorbell square polished chrome	W2100.4015.90
Doorbell square satin chrome	W2300.4015.90
Doorbell square matt black	W3000.4015.90

W2100.4018.90

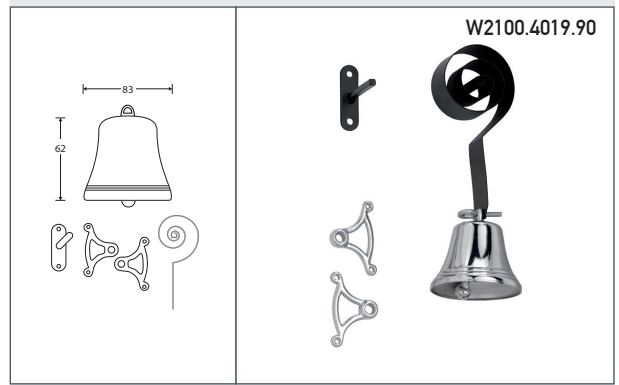


HOLLAND PULL BELL SET COMPLETE

DESCRIPTION	NUMBER
Pull bell set complete brass unlacquered	W0200.4018.90
Pull bell set complete brass lacquered / gepolijst PVD	W0700.4018.90
Pull bell set complete satin nickel unlacquered / matt nickel PVD	W1900.4018.90
Pull bell set complete polished chrome	W2100.4018.90
Pull bell set complete matt black	W3000.4018.90

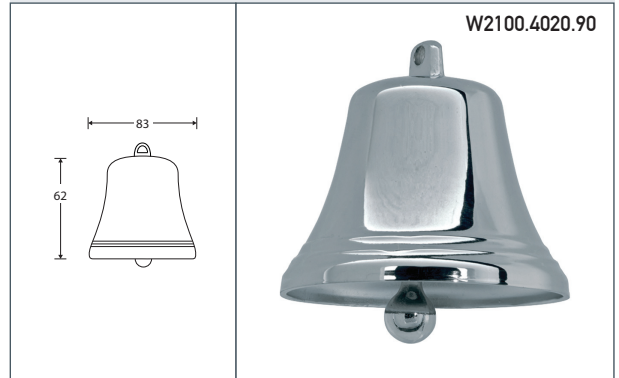
HOLLAND PULL BELL SET WITHOUT KNOB

DESCRIPTION	NUMBER
Pull bell set without knob brass unlacquered	W0200.4019.90
Pull bell set without knob satin nickel unlacquered	W1300.4019.90
Pull bell set without knob polished chrome	W2100.4019.90
Pull bell set without knob matt black	W3000.4019.90



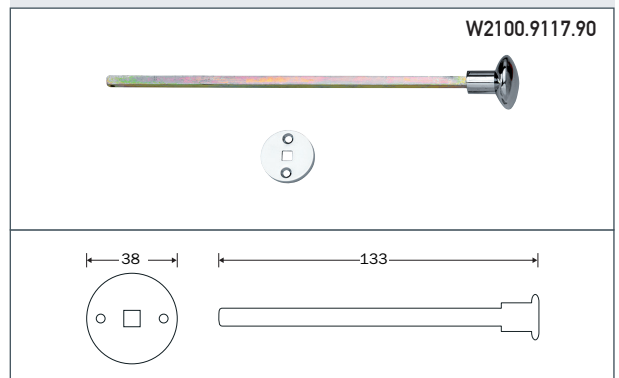
DOOR BELL PART

DESCRIPTION	NUMBER
Door bell part brass unlacquered	W0200.4020.90
Door bell part satin nickel unlacquered	W1300.4020.90
Door bell part polished chrome	W2100.4020.90
Door bell part matt black	W3000.4020.90



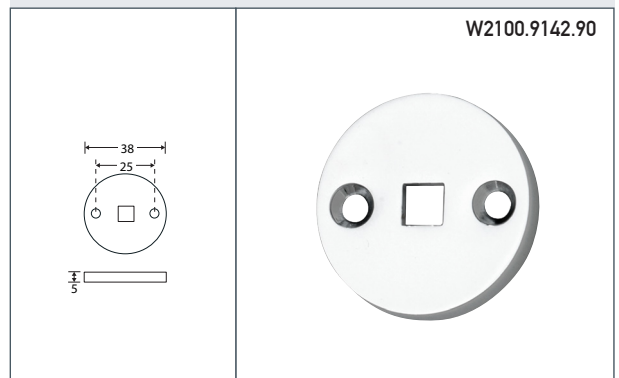
CHAMPIGNON BELL PULL PARTS

DESCRIPTION	NUMBER
Bell pull parts brass unlacquered	W0200.9117.90
Bell pull parts polished brass PVD	W0300.9117.90
Bell pull parts satin nickel PVD	W1400.9117.90
Bell pull parts polished chrome	W2100.9117.90
Bell pull parts matt black	W3000.9117.90



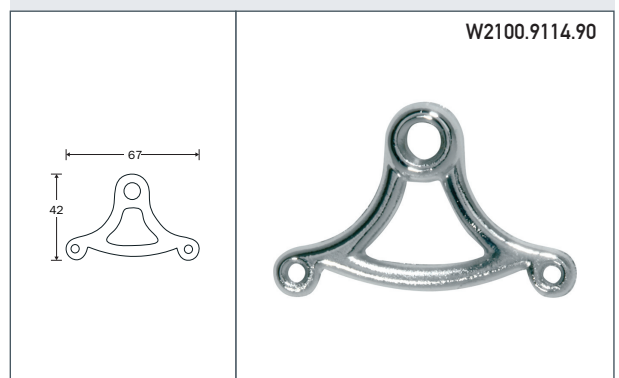
HOLLAND ROSETTE FOR PULL BELL SET

DESCRIPTION	NUMBER
Rosette for pull bell set brass unlacquered	W0200.9142.90
Rosette for pull bell set polished brass PVD	W0300.9142.90
Rosette for pull bell set satin nickel PVD	W1400.9142.90
Rosette for pull bell set polished chrome	W2100.9142.90
Rosette for pull bell set matt black	W3000.9142.90

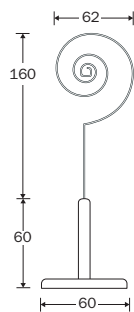


BELL PULL CRANK

DESCRIPTION	NUMBER
Bell pull crank brass unlacquered	W0200.9114.90
Bell pull crank satin nickel unlacquered	W1300.9114.90
Bell pull crank polished chrome	W2100.9114.90
Bell pull crank matt black	W3000.9114.90



W7200.9116.90

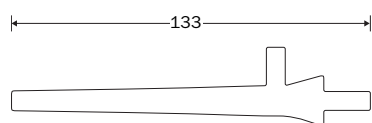


LEAF SPRING FOR PULL BELL WITH PIVOT

DESCRIPTION	NUMBER
-------------	--------

Leaf spring for pull bell with pivot iron black	W7200.9116.90
-------------------------------------------------	---------------

W7200.9115.90

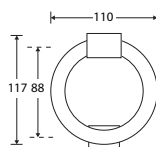


DRIVE PIN FOR BELL TUMBLER

DESCRIPTION	A	NUMBER
-------------	---	--------

Drive pin for bell tumbler iron black	133 mm	W7200.9115.90
---------------------------------------	--------	---------------

W2100.4081.90

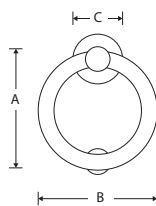


ANELLO DOOR KNOCKER

DESCRIPTION	NUMBER
-------------	--------

Door knocker brass unlacquered	W0200.4081.90
Door knocker polished brass PVD	W0300.4081.90
Door knocker brass antique	W0500.4081.90
Door knocker satin nickel PVD	W1400.4081.90
Door knocker polished chrome	W2100.4081.90
Door knocker satin chrome	W2300.4081.90
Door knocker antique chrome	W2500.4081.90
Door knocker matt black	W3000.4081.90

W0300.4025.90

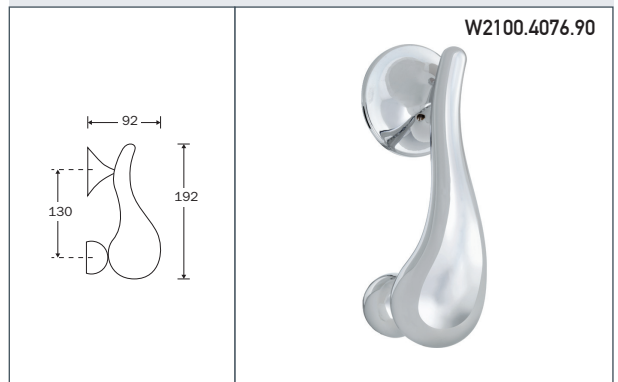


JUGENDSTIL DOOR KNOCKER

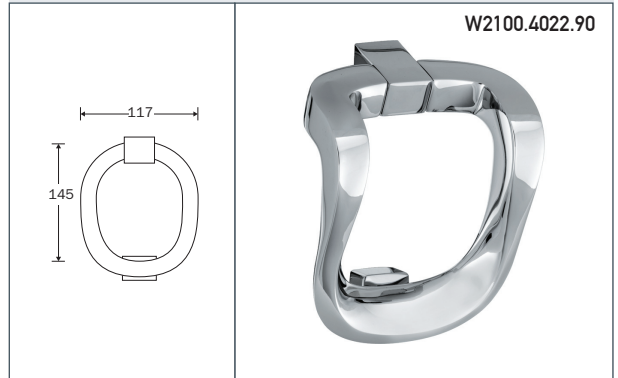
DESCRIPTION	A	B	C	NUMBER
-------------	---	---	---	--------

Door knocker polished brass PVD	155 mm	125 mm	75 mm	W0300.4025.90
Door knocker polished brass PVD	190 mm	153 mm	90 mm	W0300.4026.90

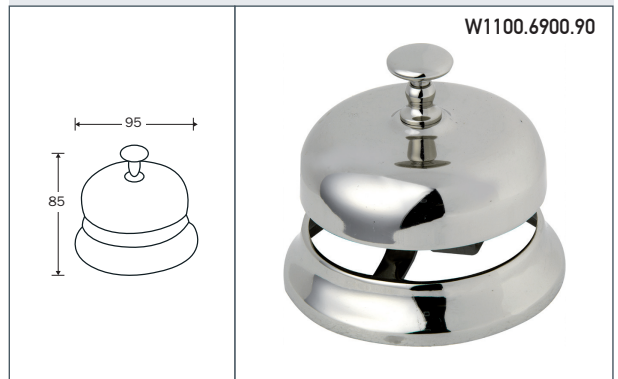
VENICE DOOR KNOCKER	
DESCRIPTION	NUMBER
Door knocker polished brass PVD	W0300.4076.90
Door knocker polished chrome	W2100.4076.90



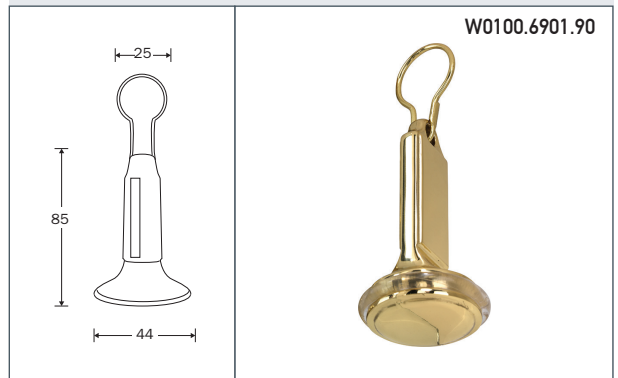
FIRENZE DOOR KNOCKER	
DESCRIPTION	NUMBER
Door knocker polished chrome	W2100.4022.90
Door knocker satin chrome	W2300.4022.90



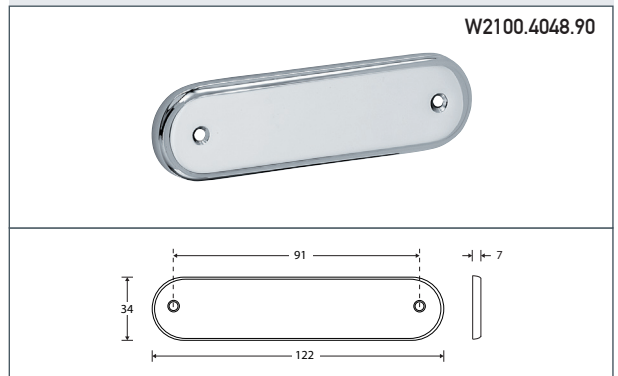
ELEGANT RECEPTION BELL	
DESCRIPTION	NUMBER
Reception bell brass unlacquered	W0200.6900.90
Reception bell polished nickel	W1100.6900.90



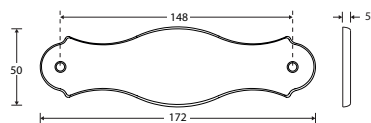
HOTEL BALL KEY HOLDER	
DESCRIPTION	NUMBER
Hotel ball key holder brass lacquered	W0100.6901.90



OVAL NAME PLATE	
DESCRIPTION	NUMBER
Name plate brass lacquered	W0100.4048.90
Name plate polished chrome	W2100.4048.90
Name plate satin chrome	W2300.4048.90



W0100.4085.90



CLASSIC NAME PLATE

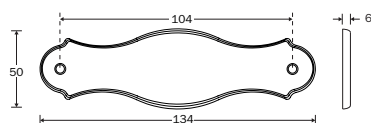
DESCRIPTION

NUMBER

Name plate brass lacquered

W0100.4085.90

W0100.4077.90



CLASSICO NAME PLATE

DESCRIPTION

NUMBER

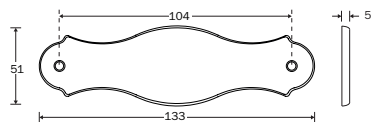
Name plate brass lacquered

W0100.4077.90

Name plate bronzed sanded

W4000.4077.90

W0100.4078.90



PIASTRA NAME PLATE

DESCRIPTION

NUMBER

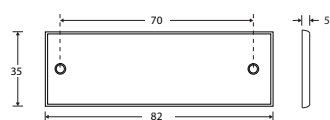
Name plate brass lacquered

W0100.4078.90

Name plate bronzed sanded

W4000.4078.90

W2100.4087.90



RECTANGULAR NAME PLATE

NUMBER

Name plate brass lacquered

W0100.4087.90

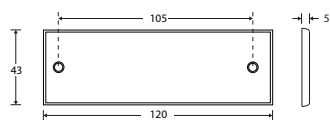
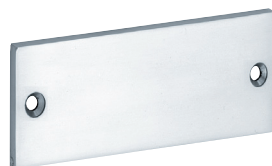
Name plate polished chrome

W2100.4087.90

Name plate satin chrome

W2300.4087.90

W2100.4089.90



RECTANGULAR NAME PLATE

DESCRIPTION

NUMBER

Name plate brass lacquered

W0100.4089.90

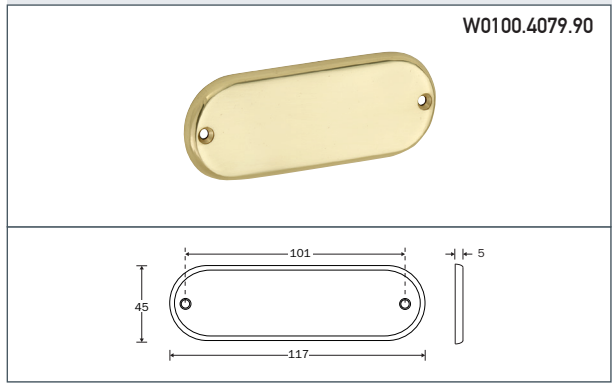
Name plate polished chrome

W2100.4089.90

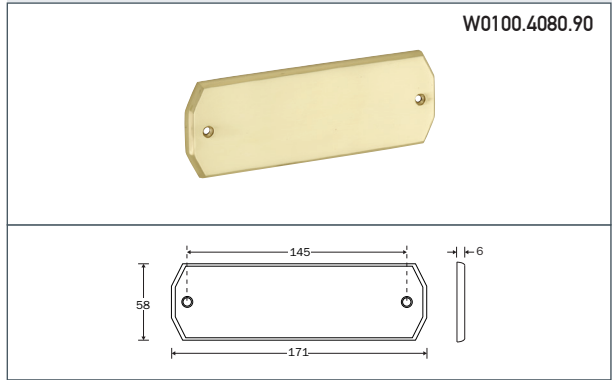
Name plate satin chrome

W2300.4089.90

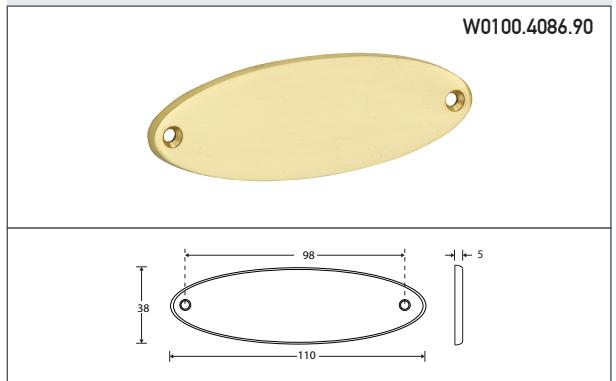
SATORI NAME PLATE	
DESCRIPTION	NUMBER
Name plate brass lacquered	W0100.4079.90



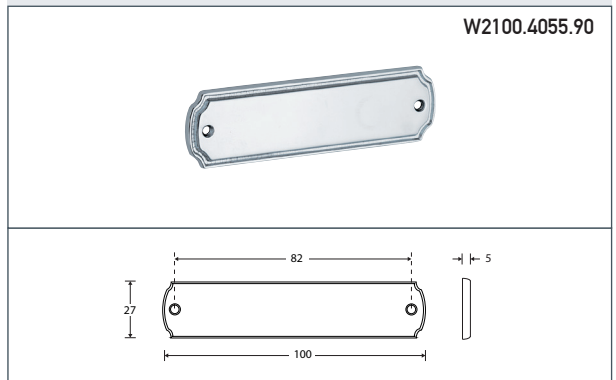
OCTASORI NAME PLATE	
DESCRIPTION	NUMBER
Name plate brass lacquered	W0100.4080.90



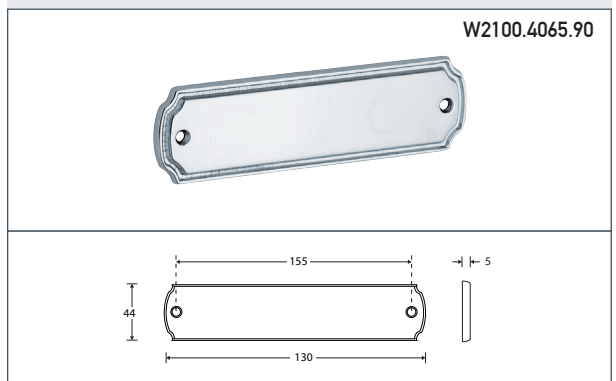
ELLIPSE NAME PLATE	
DESCRIPTION	NUMBER
Name plate brass lacquered	W0100.4086.90



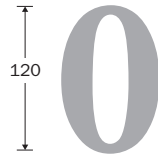
IMPERO NAME PLATE	
DESCRIPTION	NUMBER
Name plate brass lacquered	W0100.4055.90
Name plate polished chrome	W2100.4055.90
Name plate satin chrome	W2300.4055.90
Name plate bronzed sanded	W4000.4055.90



IMPERO NAME PLATE	
DESCRIPTION	NUMBER
Name plate brass lacquered	W0100.4065.90
Name plate polished chrome	W2100.4065.90
Name plate satin chrome	W2300.4065.90
Name plate bronzed sanded	W4000.4065.90



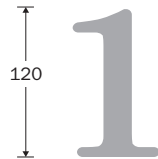
W2100.4050.90



ROMAN HOUSE NUMBER 0

DESCRIPTION	NUMBER
House number 0 brass unlacquered	W0200.4050.90
House number 0 polished brass PVD	W0300.4050.90
House number 0 brass antique	W0500.4050.90
House number 0 satin nickel PVD	W1400.4050.90
House number 0 polished chrome	W2100.4050.90
House number 0 satin chrome	W2300.4050.90
House number 0 antique chrome	W2500.4050.90
House number 0 matt black	W3000.4050.90

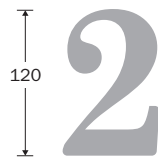
W2100.4051.90



ROMAN HOUSE NUMBER 1

DESCRIPTION	NUMBER
House number 1 brass unlacquered	W0200.4051.90
House number 1 polished brass PVD	W0300.4051.90
House number 1 brass antique	W0500.4051.90
House number 1 satin nickel PVD	W1400.4051.90
House number 1 polished chrome	W2100.4051.90
House number 1 satin chrome	W2300.4051.90
House number 1 antique chrome	W2500.4051.90
House number 1 matt black	W3000.4051.90

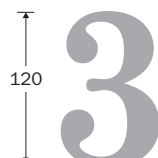
W2100.4052.90



ROMAN HOUSE NUMBER 2

DESCRIPTION	NUMBER
House number 2 brass unlacquered	W0200.4052.90
House number 2 polished brass PVD	W0300.4052.90
House number 2 brass antique	W0500.4052.90
House number 2 satin nickel PVD	W1400.4052.90
House number 2 polished chrome	W2100.4052.90
House number 2 satin chrome	W2300.4052.90
House number 2 antique chrome	W2500.4052.90
House number 2 matt black	W3000.4052.90

W2100.4053.90



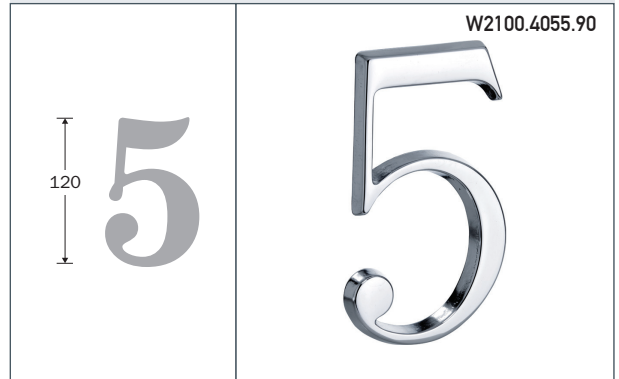
ROMAN HOUSE NUMBER 3

DESCRIPTION	NUMBER
House number 3 brass unlacquered	W0200.4053.90
House number 3 polished brass PVD	W0300.4053.90
House number 3 brass antique	W0500.4053.90
House number 3 satin nickel PVD	W1400.4053.90
House number 3 polished chrome	W2100.4053.90
House number 3 satin chrome	W2300.4053.90
House number 3 antique chrome	W2500.4053.90
House number 3 matt black	W3000.4053.90

ROMAN HOUSE NUMBER 4	
DESCRIPTION	NUMBER
House number 4 brass unlacquered	W0200.4054.90
House number 4 polished brass PVD	W0300.4054.90
House number 4 brass antique	W0500.4054.90
House number 4 satin nickel PVD	W1400.4054.90
House number 4 polished chrome	W2100.4054.90
House number 4 satin chrome	W2300.4054.90
House number 4 antique chrome	W2500.4054.90
House number 4 matt black	W3000.4054.90



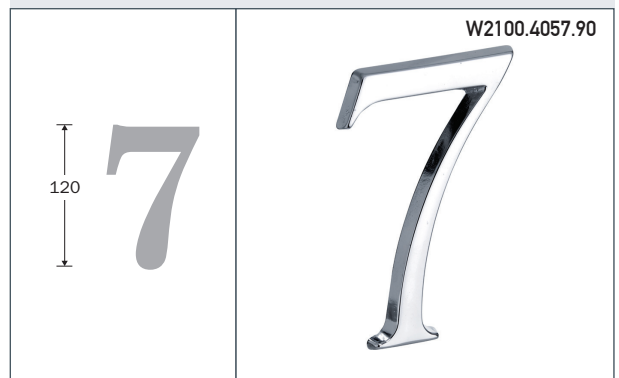
ROMAN HOUSE NUMBER 5	
DESCRIPTION	NUMBER
House number 5 brass unlacquered	W0200.4055.90
House number 5 polished brass PVD	W0300.4055.90
House number 5 brass antique	W0500.4055.90
House number 5 satin nickel PVD	W1400.4055.90
House number 5 polished chrome	W2100.4055.90
House number 5 satin chrome	W2300.4055.90
House number 5 antique chrome	W2500.4055.90
House number 5 matt black	W3000.4055.90



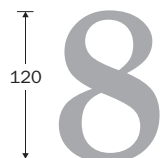
ROMAN HOUSE NUMBER 6	
DESCRIPTION	NUMBER
House number 6 brass unlacquered	W0200.4056.90
House number 6 polished brass PVD	W0300.4056.90
House number 6 brass antique	W0500.4056.90
House number 6 satin nickel PVD	W1400.4056.90
House number 6 polished chrome	W2100.4056.90
House number 6 satin chrome	W2300.4056.90
House number 6 antique chrome	W2500.4056.90
House number 6 matt black	W3000.4056.90



ROMAN HOUSE NUMBER 7	
DESCRIPTION	NUMBER
House number 7 brass unlacquered	W0200.4057.90
House number 7 polished brass PVD	W0300.4057.90
House number 7 brass antique	W0500.4057.90
House number 7 satin nickel PVD	W1400.4057.90
House number 7 polished chrome	W2100.4057.90
House number 7 satin chrome	W2300.4057.90
House number 7 antique chrome	W2500.4057.90
House number 7 matt black	W3000.4057.90



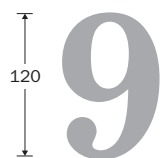
W2100.4058.90



ROMAN HOUSE NUMBER 8

DESCRIPTION	NUMBER
House number 8 brass unlacquered	W0200.4058.90
House number 8 polished brass PVD	W0300.4058.90
House number 8 brass antique	W0500.4058.90
House number 8 satin nickel PVD	W1400.4058.90
House number 8 polished chrome	W2100.4058.90
House number 8 satin chrome	W2300.4058.90
House number 8 antique chrome	W2500.4058.90
House number 8 matt black	W3000.4058.90

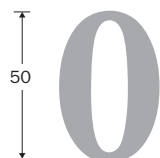
W2100.4059.90



ROMAN HOUSE NUMBER 9

DESCRIPTION	NUMBER
House number 9 brass unlacquered	W0200.4059.90
House number 9 polished brass PVD	W0300.4059.90
House number 9 brass antique	W0500.4059.90
House number 9 satin nickel PVD	W1400.4059.90
House number 9 polished chrome	W2100.4059.90
House number 9 satin chrome	W2300.4059.90
House number 9 antique chrome	W2500.4059.90
House number 9 matt black	W3000.4059.90

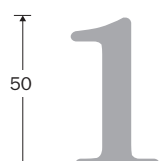
W2100.4030.90



ROMAN HOUSE NUMBER 0

DESCRIPTION	NUMBER
House number 0 brass unlacquered	W0200.4030.90
House number 0 polished brass PVD	W0300.4030.90
House number 0 brass antique	W0500.4030.90
House number 0 satin nickel PVD	W1400.4030.90
House number 0 polished chrome	W2100.4030.90
House number 0 satin chrome	W2300.4030.90
House number 0 antique chrome	W2500.4030.90
House number 0 matt black	W3000.4030.90

W2100.4031.90



ROMAN HOUSE NUMBER 1

DESCRIPTION	NUMBER
House number 1 brass unlacquered	W0200.4031.90
House number 1 polished brass PVD	W0300.4031.90
House number 1 brass antique	W0500.4031.90
House number 1 satin nickel PVD	W1400.4031.90
House number 1 polished chrome	W2100.4031.90
House number 1 satin chrome	W2300.4031.90
House number 1 antique chrome	W2500.4031.90
House number 1 matt black	W3000.4031.90

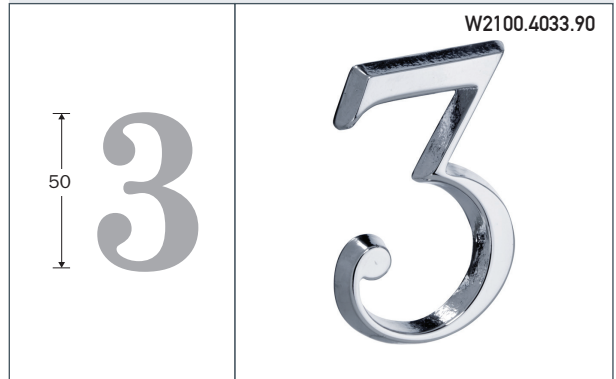
ROMAN HOUSE NUMBER 2

DESCRIPTION	NUMBER
House number 2 brass unlacquered	W0200.4032.90
House number 2 polished brass PVD	W0300.4032.90
House number 2 brass antique	W0500.4032.90
House number 2 satin nickel PVD	W1400.4032.90
House number 2 polished chrome	W2100.4032.90
House number 2 satin chrome	W2300.4032.90
House number 2 antique chrome	W2500.4032.90
House number 2 matt black	W3000.4032.90



ROMAN HOUSE NUMBER 3

DESCRIPTION	NUMBER
House number 3 brass unlacquered	W0200.4033.90
House number 3 polished brass PVD	W0300.4033.90
House number 3 brass antique	W0500.4033.90
House number 3 satin nickel PVD	W1400.4033.90
House number 3 polished chrome	W2100.4033.90
House number 3 satin chrome	W2300.4033.90
House number 3 antique chrome	W2500.4033.90
House number 3 matt black	W3000.4033.90



ROMAN HOUSE NUMBER 4

DESCRIPTION	NUMBER
House number 4 brass unlacquered	W0200.4034.90
House number 4 polished brass PVD	W0300.4034.90
House number 4 brass antique	W0500.4034.90
House number 4 satin nickel PVD	W1400.4034.90
House number 4 polished chrome	W2100.4034.90
House number 4 satin chrome	W2300.4034.90
House number 4 antique chrome	W2500.4034.90
House number 4 matt black	W3000.4034.90

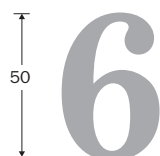


ROMAN HOUSE NUMBER 5

DESCRIPTION	NUMBER
House number 5 brass unlacquered	W0200.4035.90
House number 5 polished brass PVD	W0300.4035.90
House number 5 brass antique	W0500.4035.90
House number 5 satin nickel PVD	W1400.4035.90
House number 5 polished chrome	W2100.4035.90
House number 5 satin chrome	W2300.4035.90
House number 5 antique chrome	W2500.4035.90
House number 5 matt black	W3000.4035.90



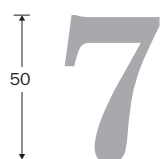
W2100.4036.90



ROMAN HOUSE NUMBER 6

DESCRIPTION	NUMBER
House number 6 brass unlacquered	W0200.4036.90
House number 6 polished brass PVD	W0300.4036.90
House number 6 brass antique	W0500.4036.90
House number 6 satin nickel PVD	W1400.4036.90
House number 6 polished chrome	W2100.4036.90
House number 6 satin chrome	W2300.4036.90
House number 6 antique chrome	W2500.4036.90
House number 6 matt black	W3000.4036.90

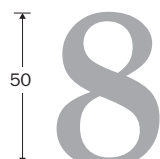
W2100.4037.90



ROMAN HOUSE NUMBER 7

DESCRIPTION	NUMBER
House number 7 brass unlacquered	W0200.4037.90
House number 7 polished brass PVD	W0300.4037.90
House number 7 brass antique	W0500.4037.90
House number 7 satin nickel PVD	W1400.4037.90
House number 7 polished chrome	W2100.4037.90
House number 7 satin chrome	W2300.4037.90
House number 7 antique chrome	W2500.4037.90
House number 7 matt black	W3000.4037.90

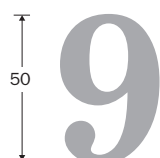
W2100.4038.90



ROMAN HOUSE NUMBER 8

DESCRIPTION	NUMBER
House number 8 brass unlacquered	W0200.4038.90
House number 8 polished brass PVD	W0300.4038.90
House number 8 brass antique	W0500.4038.90
House number 8 satin nickel PVD	W1400.4038.90
House number 8 polished chrome	W2100.4038.90
House number 8 satin chrome	W2300.4038.90
House number 8 antique chrome	W2500.4038.90
House number 8 matt black	W3000.4038.90

W2100.4039.90

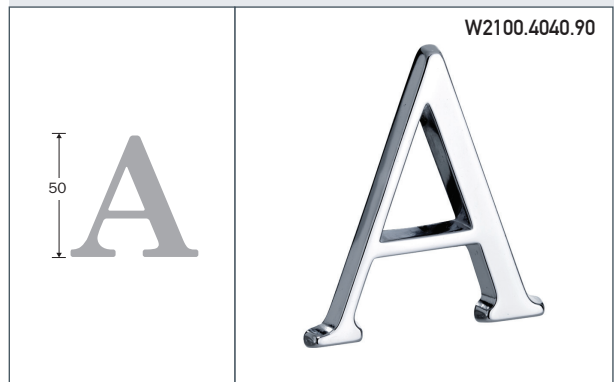


ROMAN HOUSE NUMBER 9

DESCRIPTION	NUMBER
House number 9 brass unlacquered	W0200.4039.90
House number 9 polished brass PVD	W0300.4039.90
House number 9 brass antique	W0500.4039.90
House number 9 satin nickel PVD	W1400.4039.90
House number 9 polished chrome	W2100.4039.90
House number 9 satin chrome	W2300.4039.90
House number 9 antique chrome	W2500.4039.90
House number 9 matt black	W3000.4039.90

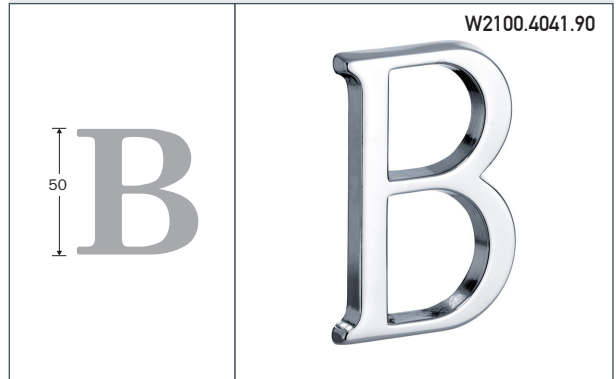
ROMAN HOUSE LETTER A

DESCRIPTION	NUMBER
House letter A brass unlacquered	W0200.4040.90
House letter A polished brass PVD	W0300.4040.90
House letter A brass antique	W0500.4040.90
House letter A satin nickel PVD	W1400.4040.90
House letter A polished chrome	W2100.4040.90
House letter A satin chrome	W2300.4040.90
House letter A antique chrome	W2500.4040.90
House letter A matt black	W3000.4040.90



ROMAN HOUSE LETTER B

DESCRIPTION	NUMBER
House letter B brass unlacquered	W0200.4041.90
House letter B polished brass PVD	W0300.4041.90
House letter B brass antique	W0500.4041.90
House letter B satin nickel PVD	W1400.4041.90
House letter B polished chrome	W2100.4041.90
House letter B satin chrome	W2300.4041.90
House letter B antique chrome	W2500.4041.90
House letter B matt black	W3000.4041.90



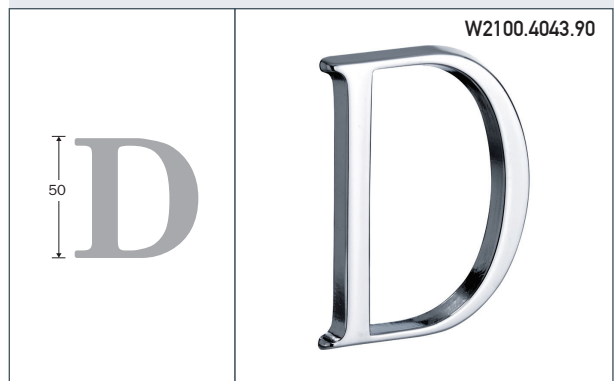
ROMAN HOUSE LETTER C

DESCRIPTION	NUMBER
House letter C brass unlacquered	W0200.4042.90
House letter C polished brass PVD	W0300.4042.90
House letter C brass antique	W0500.4042.90
House letter C satin nickel PVD	W1400.4042.90
House letter C polished chrome	W2100.4042.90
House letter C satin chrome	W2300.4042.90
House letter C antique chrome	W2500.4042.90
House letter C matt black	W3000.4042.90



ROMAN HOUSE LETTER D

DESCRIPTION	NUMBER
House letter D brass unlacquered	W0200.4043.90
House letter D polished brass PVD	W0300.4043.90
House letter D brass antique	W0500.4043.90
House letter D satin nickel PVD	W1400.4043.90
House letter D polished chrome	W2100.4043.90
House letter D satin chrome	W2300.4043.90
House letter D antique chrome	W2500.4043.90
House letter D matt black	W3000.4043.90



W2100.4044.90



ROMAN HOUSE LETTER H

DESCRIPTION	NUMBER
House letter H brass unlacquered	W0200.4044.90
House letter H polished brass PVD	W0300.4044.90
House letter H brass antique	W0500.4044.90
House letter H satin nickel PVD	W1400.4044.90
House letter H polished chrome	W2100.4044.90
House letter H satin chrome	W2300.4044.90
House letter H antique chrome	W2500.4044.90
House letter H matt black	W3000.4044.90

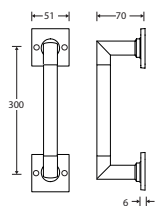
W2100.4045.90



ROMAN HOUSE LETTER W

DESCRIPTION	NUMBER
House letter W brass unlacquered	W0200.4045.90
House letter W polished brass PVD	W0300.4045.90
House letter W brass antique	W0500.4045.90
House letter W satin nickel PVD	W1400.4045.90
House letter W polished chrome	W2100.4045.90
House letter W satin chrome	W2300.4045.90
House letter W antique chrome	W2500.4045.90
House letter W matt black	W3000.4045.90

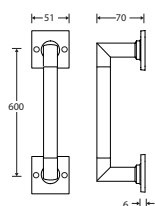
W2100.4307.90



BAUHAUS-STYLE PULL HANDLE ON SQUARE ROSETTE

DESCRIPTION	NUMBER
Pull handle on square rosette brass unlacquered	W0200.4307.90
Pull handle on square rosette brass antique	W0500.4307.90
Pull handle on square rosette polished chrome	W2100.4307.90
Pull handle on square rosette matt black	W3000.4307.90

W2100.4308.90

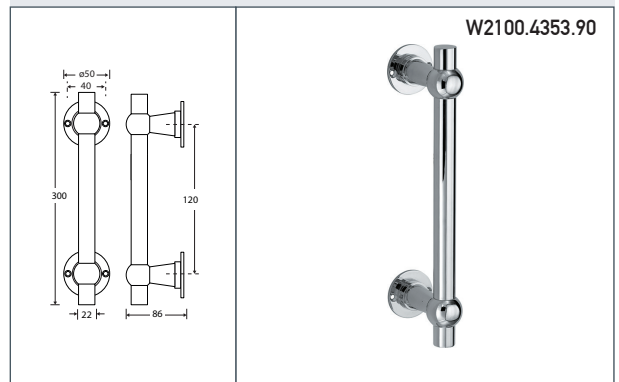


BAUHAUS-STYLE PULL HANDLE ON SQUARE ROSETTE

DESCRIPTION	NUMBER
Pull handle on square rosette brass unlacquered	W0200.4308.90
Pull handle on square rosette brass antique	W0500.4308.90
Pull handle on square rosette polished chrome	W2100.4308.90
Pull handle on square rosette matt black	W3000.4308.90

CHEMIN DE FER PULL HANDLE

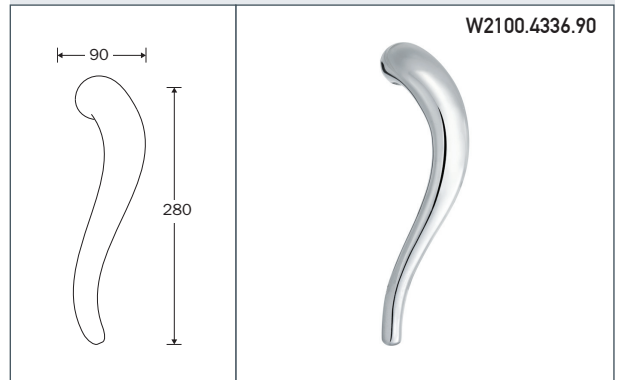
DESCRIPTION	NUMBER
Pull handle polished chrome	W0200.4353.90
Pull handle polished chrome	W0500.4353.90
Pull handle satin nickel PVD	W1400.4353.90
Pull handle polished chrome	W2100.4353.90
Pull handle matt black	W3000.4353.90



W2100.4353.90

VENICE PULL HANDLE RIGHT HAND

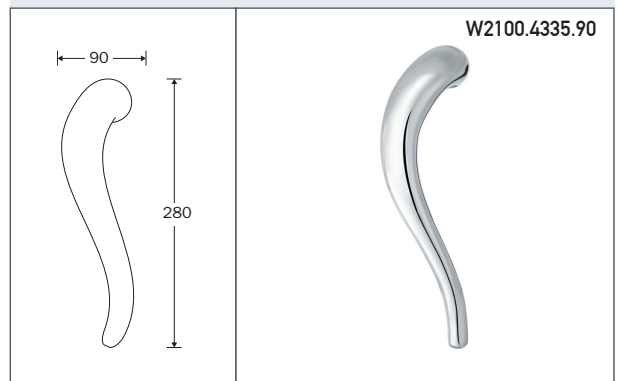
DESCRIPTION	NUMBER
Pull handle right hand polished brass PVD	W0300.4336.90
Pull handle right hand polished chrome	W2100.4336.90



W2100.4336.90

VENICE PULL HANDLE LEFT HAND

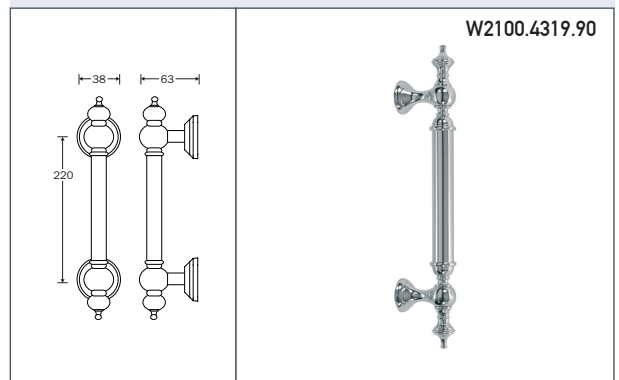
DESCRIPTION	NUMBER
Pull handle left hand polished brass PVD	W0300.4335.90
Pull handle left hand polished chrome	W2100.4335.90



W2100.4335.90

EMPIRE PULL HANDLE

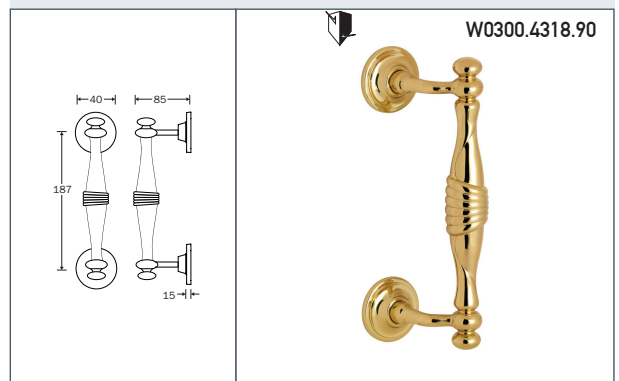
DESCRIPTION	NUMBER
Pull handle brass lacquered	W0100.4319.90
Pull handle polished chrome	W2100.4319.90



W2100.4319.90

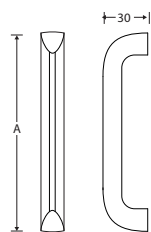
JUGENDSTIL PULL HANDLE

DESCRIPTION	NUMBER
Pull handle polished brass PVD	W0300.4318.90



W0300.4318.90

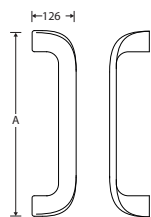
W2100.4339.90



FIRENZE PULL HANDLE

DESCRIPTION	A	NUMBER
Pull handle polished chrome	250mm	W2100.4339.90
Pull handle polished chrome	400mm	W2100.4341.90
Pull handle satin chrome	250mm	W2300.4339.90
Pull handle satin chrome	400mm	W2300.4341.90

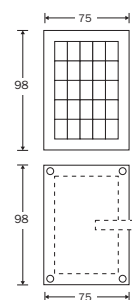
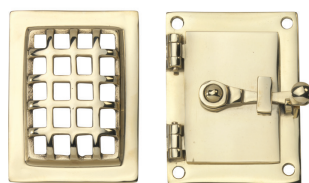
W2100.4340.90



FIRENZE PULL HANDLE OFF CENTER

DESCRIPTION	A	NUMBER
Pull handle off center polished chrome	250mm	W2100.4340.90
Pull handle off center polished chrome	400mm	W2100.4342.90
Pull handle off center satin chrome	250mm	W2300.4340.90
Pull handle off center satin chrome	400mm	W2300.4342.90

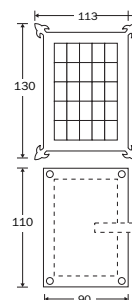
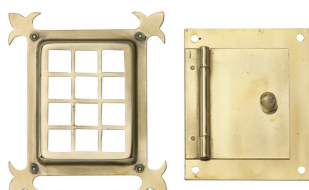
W0200.4074.90



ELEGANT DOOR HATCH

DESCRIPTION	NUMBER
Door hatch brass unlacquered	W0200.4074.90

W0286.4000.90



LILY DOOR HATCH

DESCRIPTION	NUMBER
Door hatch brass unlacquered	W0286.4000.90
Door hatch matt black	W3086.4000.90



DISTINGUISHED
Elegancy

Mi Satori

TOUCH | FEEL | KNOW

INTERIOR HARDWARE

Harmony in an interior creates a sense of relaxation. When the style of the house and its interior can be extended to the knobs used on the furnishing or the handles on the kitchen cupboards this will create visual tranquility.

Mi Satori offers a wide range of interior hardware products that allow you to extend the style of your house and interior to all kinds of details.

Examples of this kind of products are furniture knobs, flush door handles, furniture handles, coat and hat hooks and railing brackets.



Mi Satori

TOUCH | FEEL | KNOW

HATCH RING ROUND

DESCRIPTION NUMBER

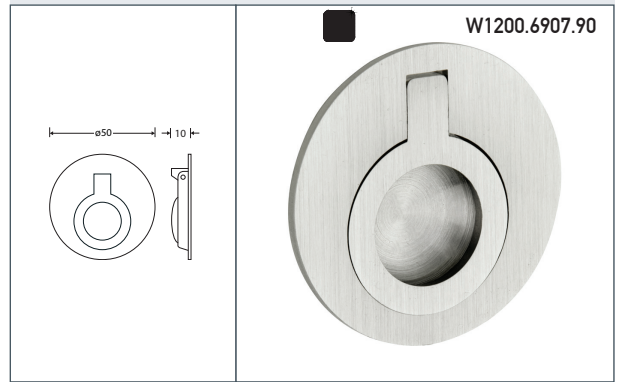
Hatch ring round polished nickel W1100.6907.90



HATCH RING ROUND

DESCRIPTION NUMBER

Hatch ring round satin nickel lacquered W1200.6907.90



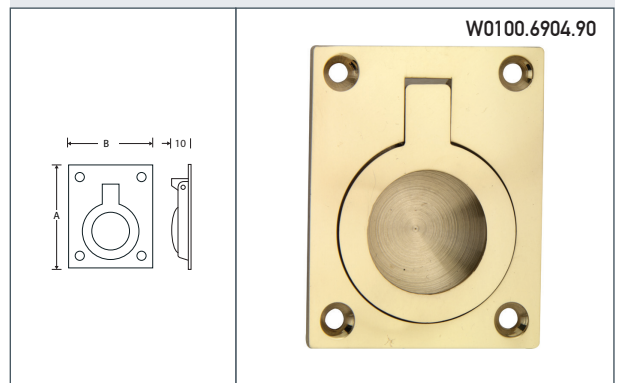
HATCH RING RECTANGULAR

DESCRIPTION A B NUMBER

Hatch ring rectangular brass lacquered 40 mm 30 mm W0100.6904.90

Hatch ring rectangular brass lacquered 50 mm 38 mm W0100.6905.90

Hatch ring rectangular brass lacquered 60 mm 47 mm W0100.6906.90



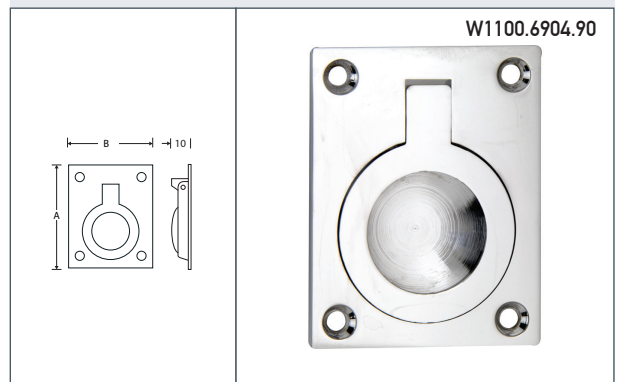
HATCH RING RECTANGULAR

DESCRIPTION A B NUMBER

Hatch ring rectangular polished nickel 40 mm 30 mm W1100.6904.90

Hatch ring rectangular polished nickel 50 mm 38 mm W1100.6905.90

Hatch ring rectangular polished nickel 60 mm 47 mm W1100.6906.90



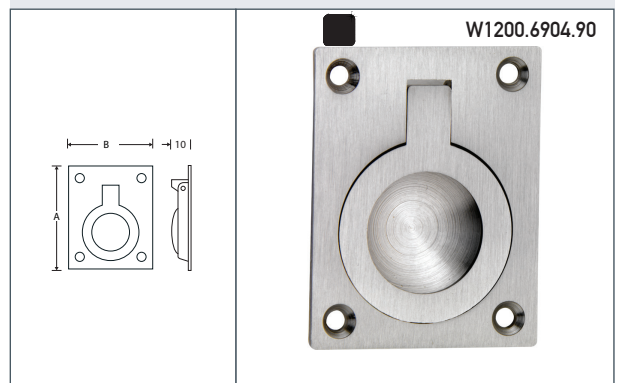
HATCH RING RECTANGULAR

DESCRIPTION A B NUMBER

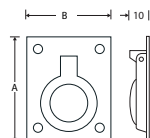
Hatch ring rectangular satin nickel lacquered 40 mm 30 mm W1200.6904.90

Hatch ring rectangular satin nickel lacquered 50 mm 38 mm W1200.6905.90

Hatch ring rectangular satin nickel lacquered 60 mm 47 mm W1200.6906.90



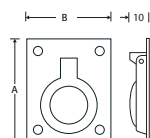
W2100.6904.90



HATCH RING RECTANGULAR

DESCRIPTION	A	B	NUMBER
Hatch ring rectangular polished chrome	40 mm	30 mm	W2100.6904.90
Hatch ring rectangular polished chrome	50 mm	38 mm	W2100.6905.90
Hatch ring rectangular polished chrome	60 mm	47 mm	W2100.6906.90

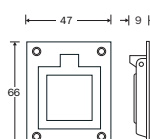
W2300.6904.90



HATCH RING RECTANGULAR

DESCRIPTION	A	B	NUMBER
Hatch ring rectangular satin chrome	40 mm	30 mm	W2300.6904.90
Hatch ring rectangular satin chrome	50 mm	38 mm	W2300.6905.90
Hatch ring rectangular satin chrome	60 mm	47 mm	W2300.6906.90

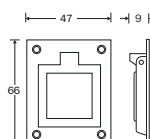
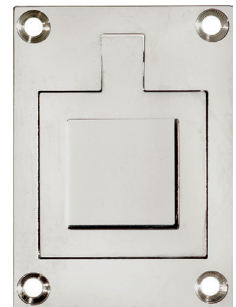
W0100.6915.90



HATCH RING RECTANGULAR WITH SQUARE RING

DESCRIPTION	NUMBER
Hatch ring rectangular with square ring brass lacquered	W0100.6915.90

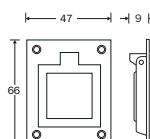
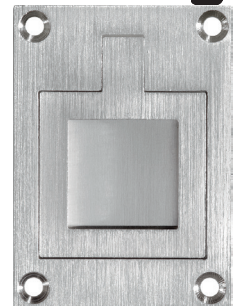
W1100.6915.90



HATCH RING RECTANGULAR WITH SQUARE RING

DESCRIPTION	NUMBER
Hatch ring rectangular with square ring polished nickel	W1100.6915.90

W1200.6915.90

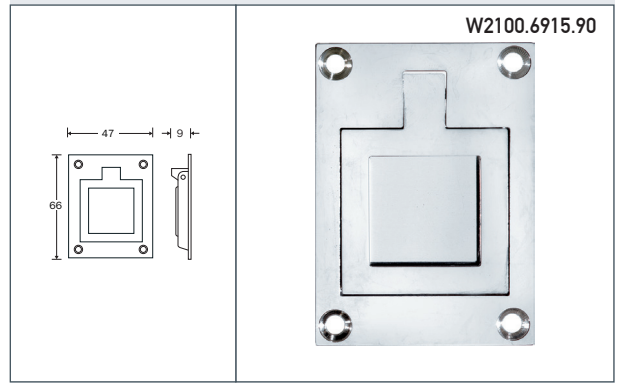


HATCH RING RECTANGULAR WITH SQUARE RING

DESCRIPTION	NUMBER
Hatch ring rectangular with square ring satin nickel lacquered	W1200.6915.90

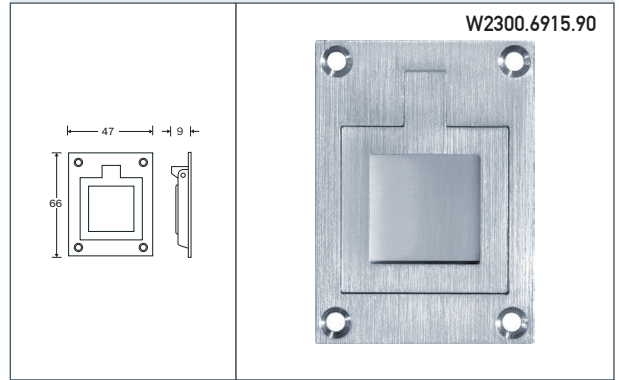
HATCH RING RECTANGULAR WITH SQUARE RING

DESCRIPTION	NUMBER
Hatch ring rectangular with square ring polished chrome	W2100.6915.90



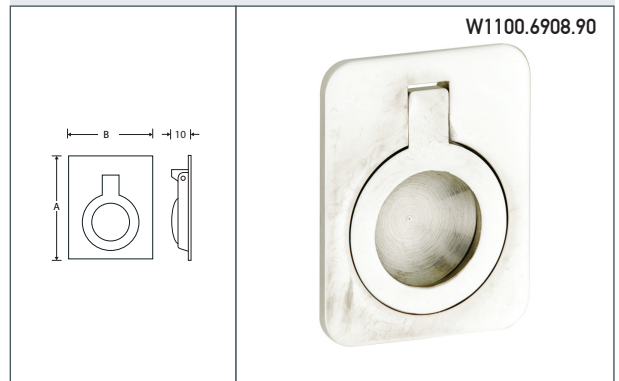
HATCH RING RECTANGULAR WITH SQUARE RING

DESCRIPTION	NUMBER
Hatch ring rectangular with square ring satin chrome	W2300.6915.90



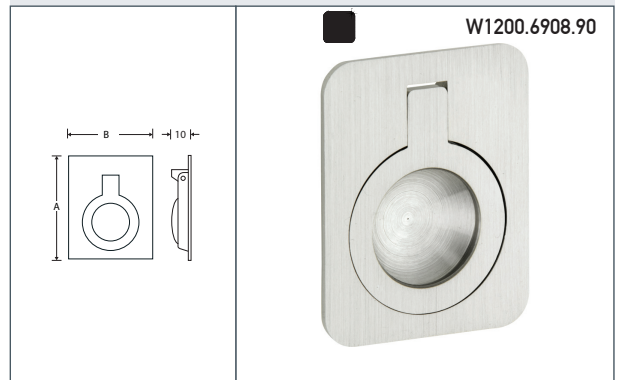
HATCH RING CONCEALED

DESCRIPTION	A	B	NUMBER
Hatch ring concealed polished nickel	40 mm	30 mm	W1100.6908.90
Hatch ring concealed polished nickel	50 mm	38 mm	W1100.6909.90
Hatch ring concealed polished nickel	60 mm	47 mm	W1100.6910.90



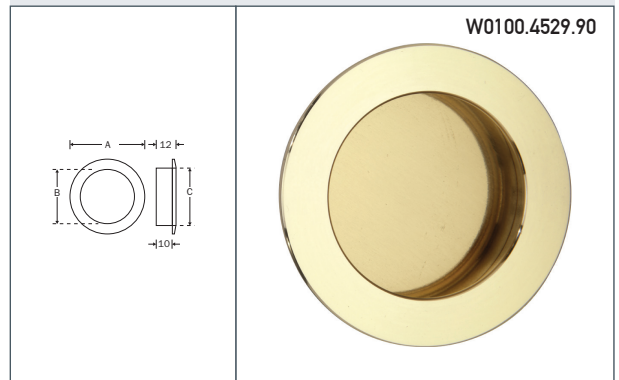
HATCH RING CONCEALED

DESCRIPTION	A	B	NUMBER
Hatch ring concealed satin nickel lacquered	40 mm	30 mm	W1200.6908.90
Hatch ring concealed satin nickel lacquered	50 mm	38 mm	W1200.6909.90
Hatch ring concealed satin nickel lacquered	60 mm	47 mm	W1200.6910.90

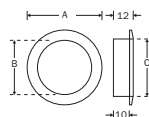


FLUSH HANDLE ROUND

DESCRIPTION	A	B	C	NUMBER
Flush handle round brass lacquered	30 mm	19 mm	26 mm	W0100.4529.90
Flush handle round brass lacquered	40 mm	27 mm	35 mm	W0100.4530.90
Flush handle round brass lacquered	48 mm	33 mm	40 mm	W0100.4531.90



W1200.4529.90



FLUSH HANDLE ROUND

DESCRIPTION	A	B	C	NUMBER
Flush handle round satin nickel lacquered	30 mm	19 mm	26 mm	W1200.4529.90
Flush handle round satin nickel lacquered	40 mm	27 mm	35 mm	W1200.4530.90
Flush handle round satin nickel lacquered	48 mm	33 mm	40 mm	W1200.4531.90

W1100.4537.90



FLUSH HANDLE ROUND TOUCH-INN

DESCRIPTION	NUMBER
Flush handle round touch-inn polished nickel	W1100.4537.90

W1200.4537.90



FLUSH HANDLE ROUND TOUCH-INN

DESCRIPTION	NUMBER
Flush handle round touch-inn satin nickel lacquered	W1200.4537.90

W2100.4537.90



FLUSH HANDLE ROUND TOUCH-INN

DESCRIPTION	NUMBER
Flush handle round touch-inn polished chrome	W2100.4537.90

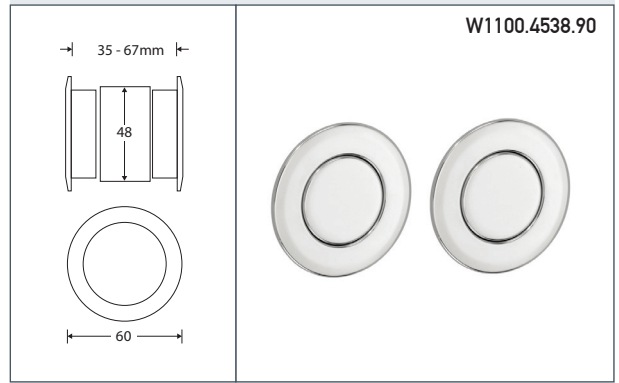
W2300.4537.90



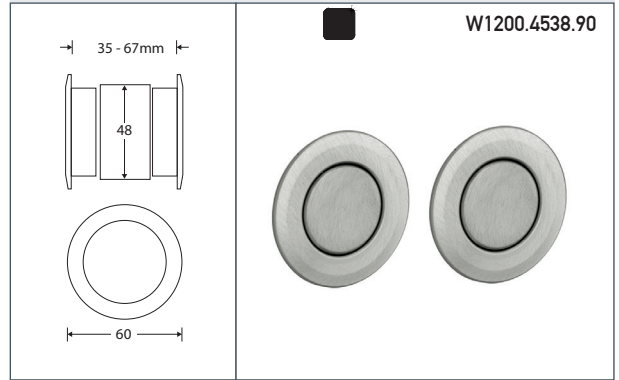
FLUSH HANDLE ROUND TOUCH-INN

DESCRIPTION	NUMBER
Flush handle round touch-inn satin chrome	W2300.4537.90

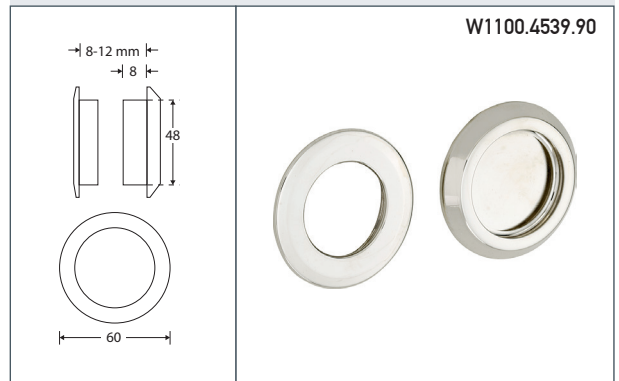
FLUSH HANDLE ROUND TOUCH-INN	
DESCRIPTION	NUMBER
Flush handle round touch-inn polished nickel	W1100.4538.90



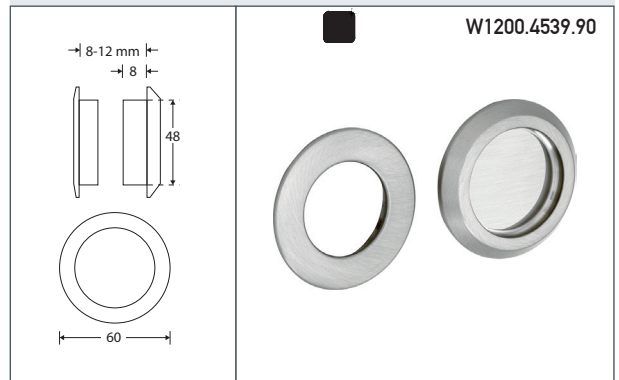
FLUSH HANDLE ROUND TOUCH-INN	
DESCRIPTION	NUMBER
Flush handle round touch-inn satin nickel lacquered	W1200.4538.90



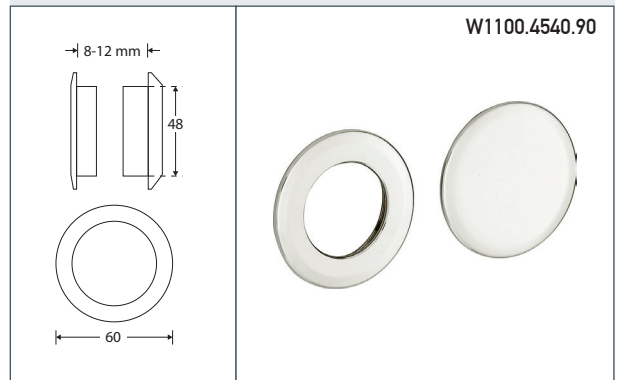
FLUSH HANDLE PULL / PULL ROUND	
DESCRIPTION	NUMBER
Flush handle pull / pull round polished nickel	W1100.4539.90
For glass doors thickness 8-12mm	
For wooden doors thickness 8-18mm	

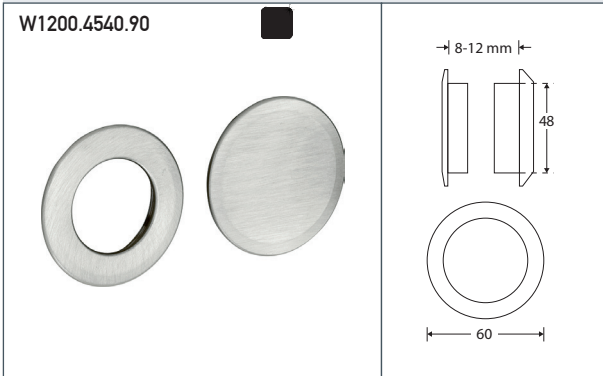


FLUSH HANDLE PULL / PULL ROUND	
DESCRIPTION	NUMBER
Flush handle pull / pull round satin nickel lacquered	W1200.4539.90
For glass doors thickness 8-12mm	
For wooden doors thickness 8-18mm	

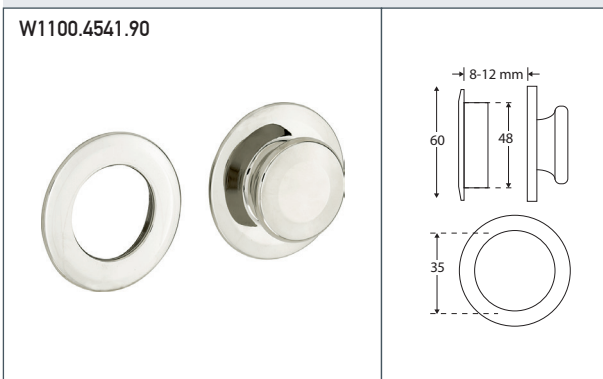


FLUSH HANDLE PULL / BLIND ROUND	
DESCRIPTION	NUMBER
Flush handle pull / Blind round polished nickel	W1100.4540.90
For glass doors thickness 8-12mm	
For wooden doors thickness 8-18mm	

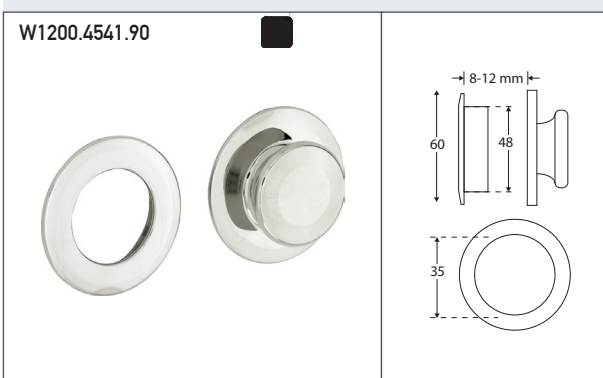




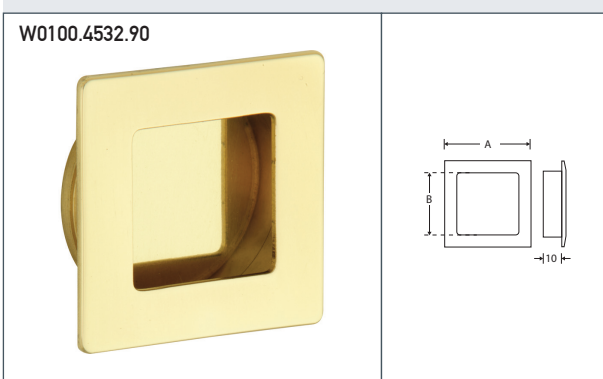
FLUSH HANDLE PULL / BLIND ROUND	
DESCRIPTION	NUMBER
Flush handle pull / Blind round satin nickel lacquered	W1200.4540.90
For glass doors thickness 8-12mm	
For wooden doors thickness 8-18mm	



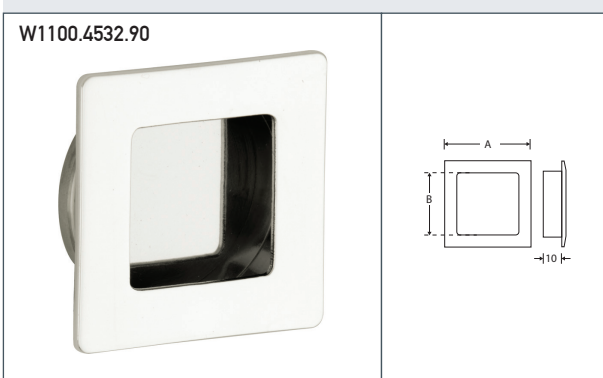
FLUSH HANDLE PULL / KNOB ROUND	
DESCRIPTION	NUMBER
Flush handle pull / knob round polished nickel	W1100.4541.90
For glass doors thickness 8-12mm	
For wooden doors thickness 8-18mm	



FLUSH HANDLE PULL / KNOB ROUND	
DESCRIPTION	NUMBER
Flush handle pull / knob round satin nickel lacquered	W1200.4541.90
For glass doors thickness 8-12mm	
For wooden doors thickness 8-18mm	

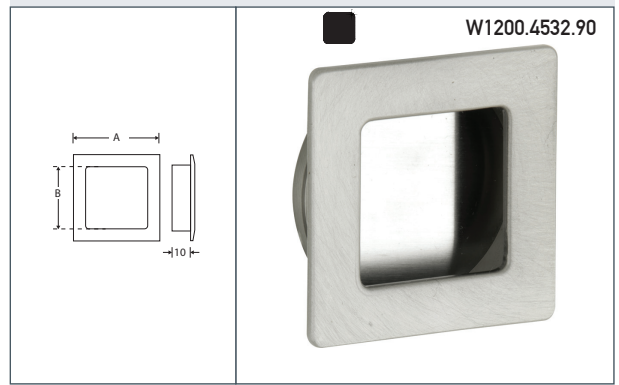


FLUSH HANDLE SQUARE			
DESCRIPTION	A	B	NUMBER
Flush handle square brass lacquered	30 mm	15 mm	W0100.4532.90
Flush handle square brass lacquered	40 mm	21 mm	W0100.4533.90
Flush handle square brass lacquered	50 mm	30 mm	W0100.4534.90

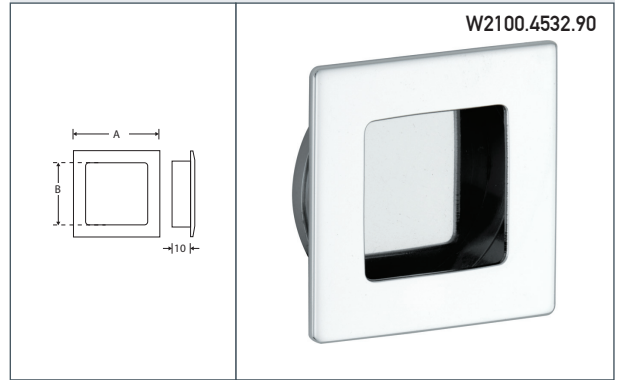


FLUSH HANDLE SQUARE			
DESCRIPTION	A	B	NUMBER
Flush handle square polished nickel	30 mm	15 mm	W1100.4532.90
Flush handle square polished nickel	40 mm	21 mm	W1100.4533.90
Flush handle square polished nickel	50 mm	30 mm	W1100.4534.90

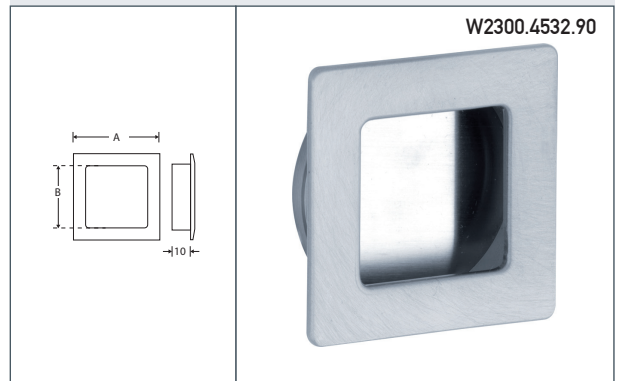
FLUSH HANDLE SQUARE			
DESCRIPTION	A	B	NUMBER
Flush handle square satin nickel lacquered	30 mm	15 mm	W1200.4532.90
Flush handle square satin nickel lacquered	40 mm	21 mm	W1200.4533.90
Flush handle square satin nickel lacquered	50 mm	30 mm	W1200.4534.90



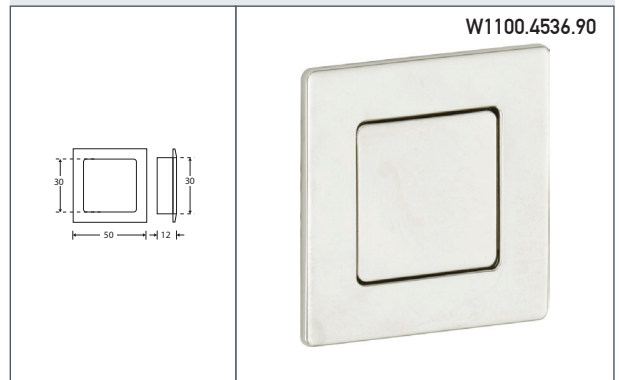
FLUSH HANDLE SQUARE			
DESCRIPTION	A	B	NUMBER
Flush handle square polished chrome	30 mm	15 mm	W2100.4532.90
Flush handle square polished chrome	40 mm	21 mm	W2100.4533.90
Flush handle square polished chrome	50 mm	30 mm	W2100.4534.90



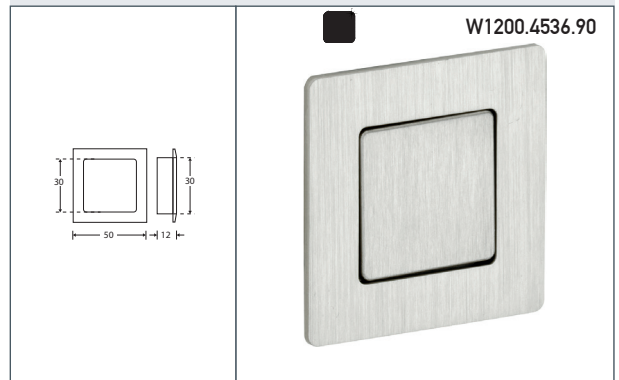
FLUSH HANDLE SQUARE			
DESCRIPTION	A	B	NUMBER
Flush handle square satin chrome	30 mm	15 mm	W2300.4532.90
Flush handle square satin chrome	40 mm	21 mm	W2300.4533.90
Flush handle square satin chrome	50 mm	30 mm	W2300.4534.90



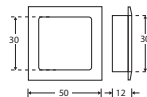
FLUSH HANDLE SQUARE TOUCH-INN	
DESCRIPTION	NUMBER
Flush handle square touch-inn polished nickel	W1100.4536.90



FLUSH HANDLE SQUARE TOUCH-INN	
DESCRIPTION	NUMBER
Flush handle square touch-inn satin nickel lacquered	W1200.4536.90



W2100.4536.90



FLUSH HANDLE SQUARE TOUCH-INN

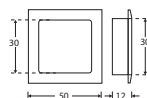
DESCRIPTION

NUMBER

Flush handle square touch-inn polished chrome

W2100.4536.90

W2300.4536.90



FLUSH HANDLE SQUARE TOUCH-INN

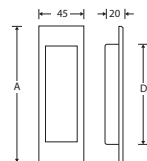
DESCRIPTION

NUMBER

Flush handle square touch-inn satin chrome

W2300.4536.90

W1100.4555.90



FLUSH HANDLE RECTANGULAR TOUCH-INN

DESCRIPTION

A

B

C

D

NUMBER

Flush handle rectangular touch-inn polished nickel

140 mm

45 mm

20mm

80 mm

W1100.4555.90

Flush handle rectangular touch-inn polished nickel lacquered

160 mm

45 mm

20mm

100 mm

W1100.4556.90

Flush handle rectangular touch-inn polished nickel lacquered

200 mm

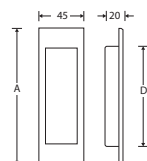
45 mm

20mm

140 mm

W1100.4557.90

W1200.4555.90



FLUSH HANDLE RECTANGULAR TOUCH-INN

DESCRIPTION

A

B

C

D

NUMBER

Flush handle rectangular touch-inn satin nickel lacquered

140 mm

45 mm

20mm

80 mm

W1200.4555.90

Flush handle rectangular touch-inn satin nickel lacquered

160 mm

45 mm

20mm

100 mm

W1200.4556.90

Flush handle rectangular touch-inn satin nickel lacquered

200 mm

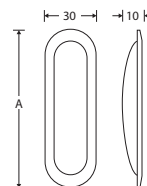
45 mm

20mm

140 mm

W1200.4557.90

W0100.4523.90



REGINA FLUSH HANDLE

DESCRIPTION

A

NUMBER

Flush handle brass lacquered

71 mm

W0100.4523.90

Flush handle brass lacquered

102 mm

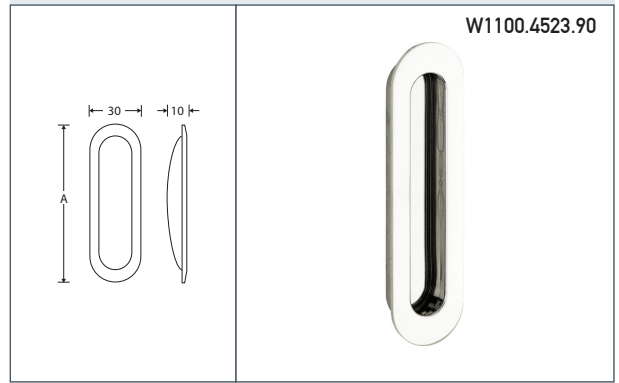
W0100.4524.90

Flush handle brass lacquered

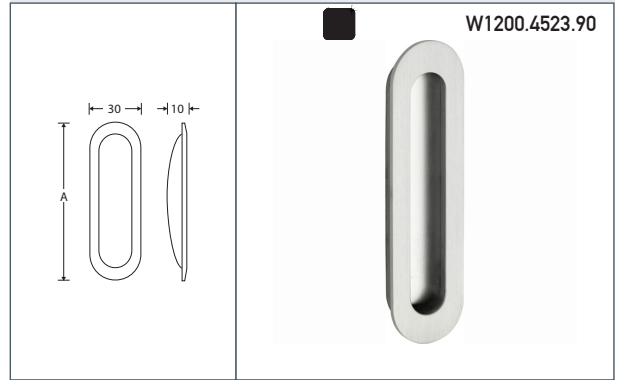
135 mm

W0100.4525.90

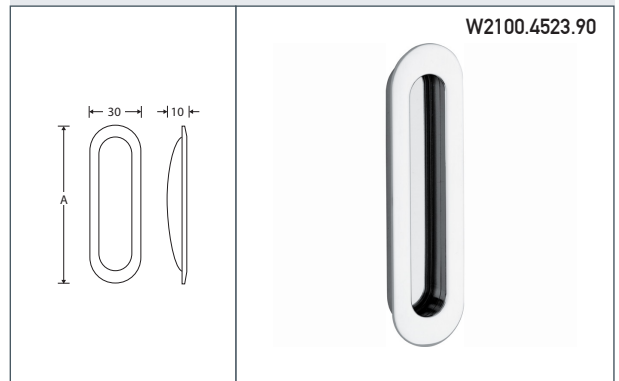
REGINA FLUSH HANDLE		
DESCRIPTION	A	NUMBER
Flush handle polished nickel	71 mm	W1100.4523.90
Flush handle polished nickel	102 mm	W1100.4524.90
Flush handle polished nickel	135 mm	W1100.4525.90



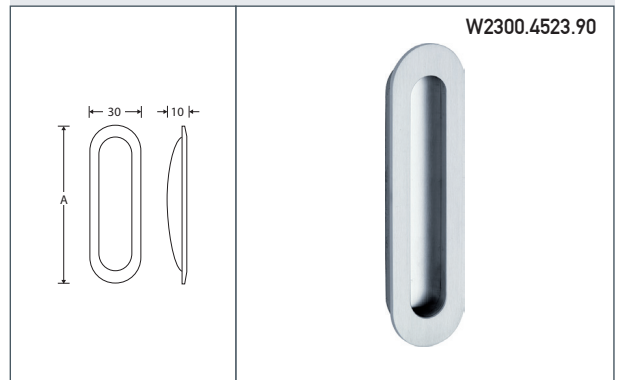
REGINA FLUSH HANDLE		
DESCRIPTION	A	NUMBER
Flush handle satin nickel lacquered	71 mm	W1200.4523.90
Flush handle satin nickel lacquered	102 mm	W1200.4524.90
Flush handle satin nickel lacquered	135 mm	W1200.4525.90



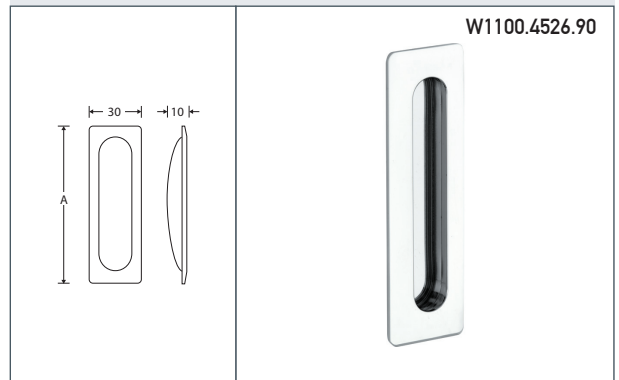
REGINA FLUSH HANDLE		
DESCRIPTION	A	NUMBER
Flush handle polished chrome	71 mm	W2100.4523.90
Flush handle polished chrome	102 mm	W2100.4524.90
Flush handle polished chrome	135 mm	W2100.4525.90



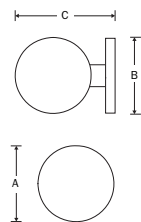
REGINA FLUSH HANDLE		
DESCRIPTION	A	NUMBER
Flush handle satin chrome	71 mm	W2300.4523.90
Flush handle satin chrome	102 mm	W2300.4524.90
Flush handle satin chrome	135 mm	W2300.4525.90



RENATE FLUSH HANDLE		
DESCRIPTION	A	NUMBER
Flush handle polished nickel	71 mm	W1100.4526.90
Flush handle satin nickel lacquered	71 mm	W1200.4526.90
Flush handle polished nickel	102 mm	W1100.4527.90
Flush handle satin nickel lacquered	102 mm	W1200.4527.90
Flush handle polished nickel	135 mm	W1100.4528.90
Flush handle satin nickel lacquered	135 mm	W1200.4528.90



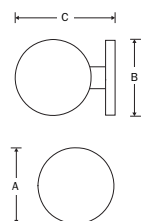
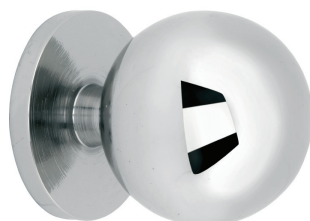
W0100.8014.90



BALL FURNITURE KNOB

DESCRIPTION	A	B	C	NUMBER
Furniture knob brass lacquered	15 mm	14 mm	23 mm	W0100.8014.90
Furniture knob brass lacquered	20 mm	19 mm	28 mm	W0100.8015.90
Furniture knob brass lacquered	25 mm	24 mm	35 mm	W0100.8016.90
Furniture knob brass lacquered	30 mm	29 mm	40 mm	W0100.8017.90
Furniture knob brass lacquered	35 mm	34 mm	45 mm	W0100.8018.90

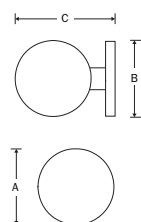
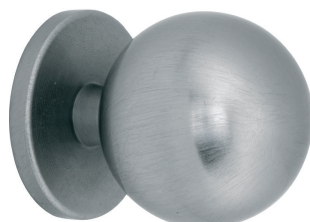
W1100.8014.90



BALL FURNITURE KNOB

DESCRIPTION	A	B	C	NUMBER
Furniture knob polished nickel	15 mm	14 mm	23 mm	W1100.8014.90
Furniture knob polished nickel	20 mm	19 mm	28 mm	W1100.8015.90
Furniture knob polished nickel	25 mm	24 mm	35 mm	W1100.8016.90
Furniture knob polished nickel	30 mm	29 mm	40 mm	W1100.8017.90
Furniture knob polished nickel	35 mm	34 mm	45 mm	W1100.8018.90

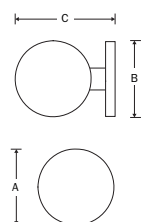
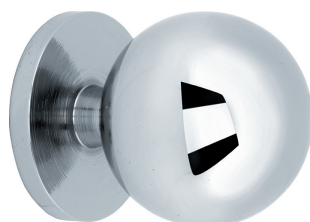
W1200.8014.90



BALL FURNITURE KNOB

DESCRIPTION	A	B	C	NUMBER
Furniture knob satin nickel lacquered	15 mm	14 mm	23 mm	W1200.8014.90
Furniture knob satin nickel lacquered	20 mm	19 mm	28 mm	W1200.8015.90
Furniture knob satin nickel lacquered	25 mm	24 mm	35 mm	W1200.8016.90
Furniture knob satin nickel lacquered	30 mm	29 mm	40 mm	W1200.8017.90
Furniture knob satin nickel lacquered	35 mm	34 mm	45 mm	W1200.8018.90

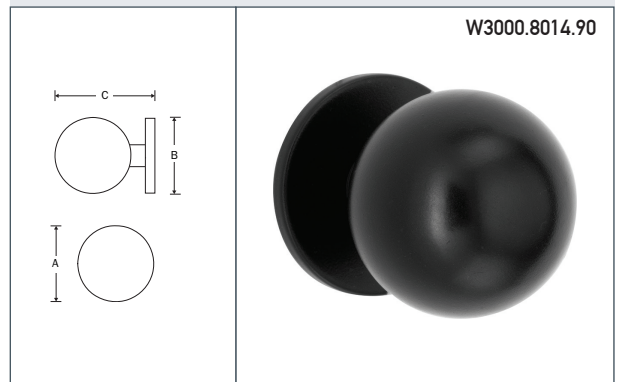
W2100.8014.90



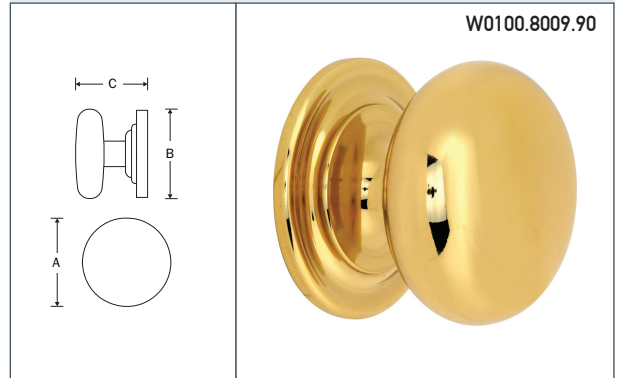
BALL FURNITURE KNOB

DESCRIPTION	A	B	C	NUMBER
Furniture knob polished chrome	15 mm	14 mm	23 mm	W2100.8014.90
Furniture knob polished chrome	20 mm	19 mm	28 mm	W2100.8015.90
Furniture knob polished chrome	25 mm	24 mm	35 mm	W2100.8016.90
Furniture knob polished chrome	30 mm	29 mm	40 mm	W2100.8017.90
Furniture knob polished chrome	35 mm	34 mm	45 mm	W2100.8018.90

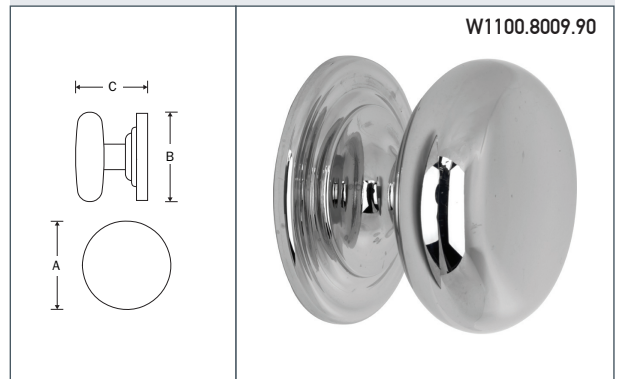
BALL FURNITURE KNOB				
DESCRIPTION	A	B	C	NUMBER
Furniture knob matt black	15 mm	14 mm	23 mm	W3000.8014.90
Furniture knob matt black	20 mm	19 mm	28 mm	W3000.8015.90
Furniture knob matt black	25 mm	24 mm	35 mm	W3000.8016.90
Furniture knob matt black	30 mm	29 mm	40 mm	W3000.8017.90
Furniture knob matt black	35 mm	34 mm	45 mm	W3000.8018.90



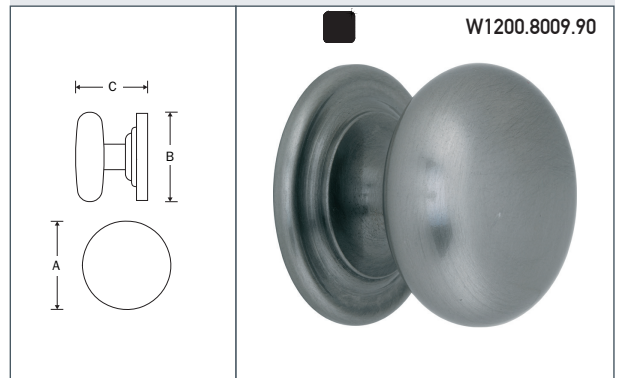
FUNGO FURNITURE KNOB				
DESCRIPTION	A	B	C	NUMBER
Furniture knob brass lacquered	20 mm	20 mm	20 mm	W0100.8009.90
Furniture knob brass lacquered	25 mm	25 mm	25 mm	W0100.8010.90
Furniture knob brass lacquered	30 mm	30 mm	30 mm	W0100.8011.90
Furniture knob brass lacquered	35 mm	35 mm	33 mm	W0100.8012.90
Furniture knob brass lacquered	40 mm	40 mm	33 mm	W0100.8013.90



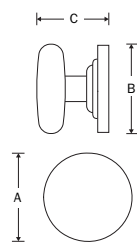
FUNGO FURNITURE KNOB				
DESCRIPTION	A	B	C	NUMBER
Furniture knob polished nickel	20 mm	20 mm	20 mm	W1100.8009.90
Furniture knob polished nickel	25 mm	25 mm	25 mm	W1100.8010.90
Furniture knob polished nickel	30 mm	30 mm	30 mm	W1100.8011.90
Furniture knob polished nickel	35 mm	35 mm	33 mm	W1100.8012.90
Furniture knob polished nickel	40 mm	40 mm	33 mm	W1100.8013.90



FUNGO FURNITURE KNOB				
DESCRIPTION	A	B	C	NUMBER
Furniture knob satin nickel lacquered	20 mm	20 mm	20 mm	W1200.8009.90
Furniture knob satin nickel lacquered	25 mm	25 mm	25 mm	W1200.8010.90
Furniture knob satin nickel lacquered	30 mm	30 mm	30 mm	W1200.8011.90
Furniture knob satin nickel lacquered	35 mm	35 mm	33 mm	W1200.8012.90
Furniture knob satin nickel lacquered	40 mm	40 mm	33 mm	W1200.8013.90



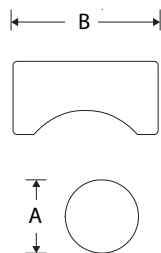
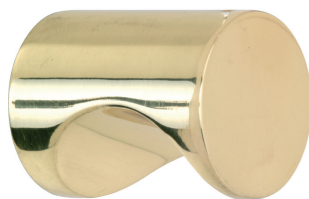
W3000.8009.90



FUNGO FURNITURE KNOB

DESCRIPTION	A	B	C	NUMBER
Furniture knob matt black	20 mm	20 mm	20 mm	W3000.8009.90
Furniture knob matt black	25 mm	25 mm	25 mm	W3000.8010.90
Furniture knob matt black	30 mm	30 mm	30 mm	W3000.8011.90
Furniture knob matt black	35 mm	35 mm	33 mm	W3000.8012.90
Furniture knob matt black	40 mm	40 mm	33 mm	W3000.8013.90

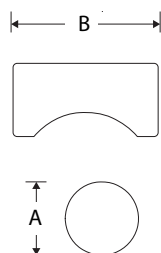
W0100.8019.90



CYLINDER FURNITURE KNOB

DESCRIPTION	A	B	NUMBER
Furniture knob brass lacquered	Ø12 mm	19 mm	W0100.8019.90
Furniture knob brass lacquered	Ø15 mm	22 mm	W0100.8020.90
Furniture knob brass lacquered	Ø18 mm	24 mm	W0100.8021.90
Furniture knob brass lacquered	Ø21 mm	27 mm	W0100.8022.90
Furniture knob brass lacquered	Ø25 mm	32 mm	W0100.8023.90

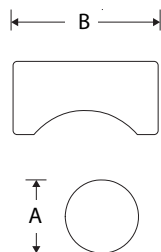
W1100.8019.90



CYLINDER FURNITURE KNOB

DESCRIPTION	A	B	NUMBER
Furniture knob polished nickel	Ø12 mm	19 mm	W1100.8019.90
Furniture knob polished nickel	Ø15 mm	22 mm	W1100.8020.90
Furniture knob polished nickel	Ø18 mm	24 mm	W1100.8021.90
Furniture knob polished nickel	Ø21 mm	27 mm	W1100.8022.90
Furniture knob polished nickel	Ø25 mm	32 mm	W1100.8023.90

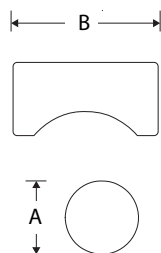
W1200.8019.90



CYLINDER FURNITURE KNOB

DESCRIPTION	A	B	NUMBER
Furniture knob satin nickel lacquered	Ø12 mm	19 mm	W1200.8019.90
Furniture knob satin nickel lacquered	Ø15 mm	22 mm	W1200.8020.90
Furniture knob satin nickel lacquered	Ø18 mm	24 mm	W1200.8021.90
Furniture knob satin nickel lacquered	Ø21 mm	27 mm	W1200.8022.90
Furniture knob satin nickel lacquered	Ø25 mm	32 mm	W1200.8023.90

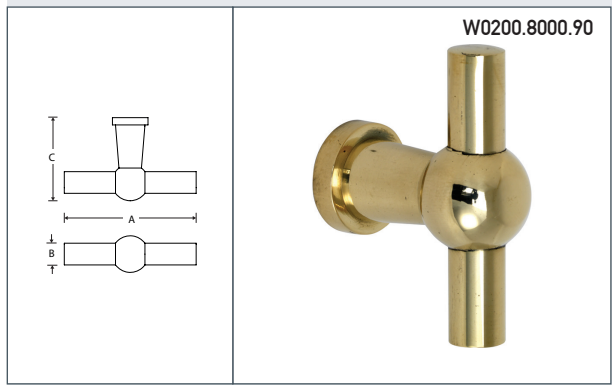
W2100.8019.90



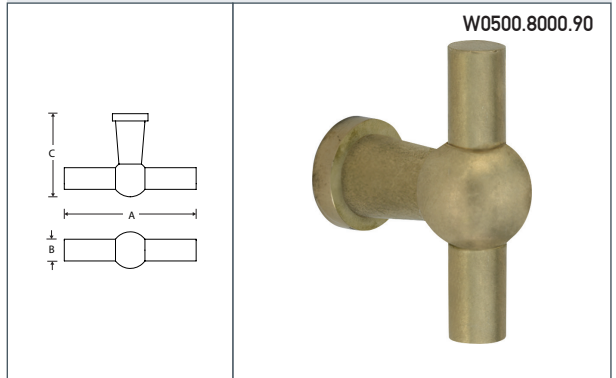
CYLINDER FURNITURE KNOB

DESCRIPTION	A	B	NUMBER
Furniture knob polished chrome	Ø12 mm	19 mm	W2100.8019.90
Furniture knob polished chrome	Ø15 mm	22 mm	W2100.8020.90
Furniture knob polished chrome	Ø18 mm	24 mm	W2100.8021.90
Furniture knob polished chrome	Ø21 mm	27 mm	W2100.8022.90
Furniture knob polished chrome	Ø25 mm	32 mm	W2100.8023.90

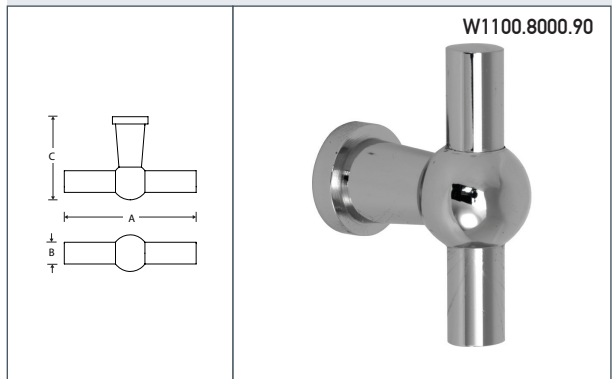
CHEMIN DE FER FURNITURE KNOB				
DESCRIPTION	A	B	C	NUMBER
Furniture knob brass unlacquered	47 mm	9 mm	35 mm	W0200.8000.90
Furniture knob brass unlacquered	58 mm	10 mm	40 mm	W0200.8001.90



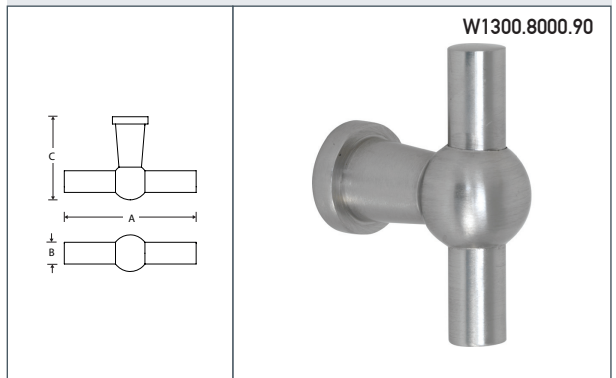
CHEMIN DE FER FURNITURE KNOB				
DESCRIPTION	A	B	C	NUMBER
Furniture knob brass antique	47 mm	9 mm	35 mm	W0500.8000.90
Furniture knob brass antique	58 mm	10 mm	40 mm	W0500.8001.90



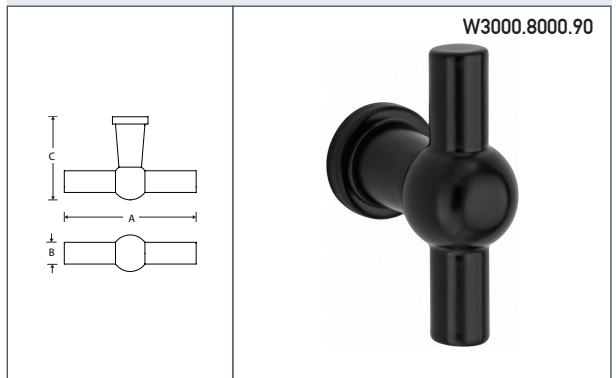
CHEMIN DE FER FURNITURE KNOB				
DESCRIPTION	A	B	C	NUMBER
Furniture knob polished nickel	47 mm	9 mm	35 mm	W1100.8000.90
Furniture knob polished nickel	58 mm	10 mm	40 mm	W1100.8001.90



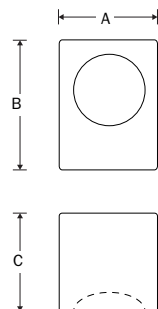
CHEMIN DE FER FURNITURE KNOB				
DESCRIPTION	A	B	C	NUMBER
Furniture knob satin nickel unlacquered	47 mm	9 mm	35 mm	W1300.8000.90
Furniture knob satin nickel unlacquered	58 mm	10 mm	40 mm	W1300.8001.90



CHEMIN DE FER FURNITURE KNOB				
DESCRIPTION	A	B	C	NUMBER
Furniture knob matt black	47 mm	9 mm	35 mm	W3000.8000.90
Furniture knob matt black	58 mm	10 mm	40 mm	W3000.8001.90



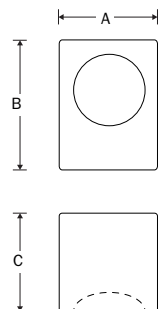
W0100.8002.90



KARE FURNITURE KNOB

DESCRIPTION	A	B	C	NUMBER
Furniture knob brass lacquered	11 mm	19 mm	11 mm	W0100.8002.90
Furniture knob brass lacquered	14 mm	22 mm	14 mm	W0100.8003.90
Furniture knob brass lacquered	17 mm	24 mm	17 mm	W0100.8004.90
Furniture knob brass lacquered	20 mm	20 mm	20 mm	W0100.8005.90
Furniture knob brass lacquered	24 mm	32 mm	24 mm	W0100.8006.90

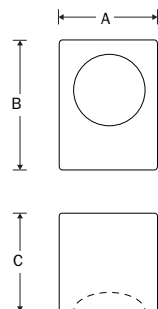
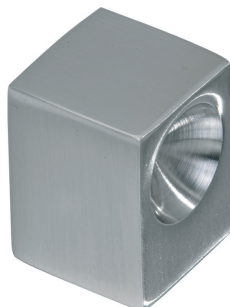
W1100.8002.90



KARE FURNITURE KNOB

DESCRIPTION	A	B	C	NUMBER
Furniture knob polished nickel	11 mm	19 mm	11 mm	W1100.8002.90
Furniture knob polished nickel	14 mm	22 mm	14 mm	W1100.8003.90
Furniture knob polished nickel	17 mm	24 mm	17 mm	W1100.8004.90
Furniture knob polished nickel	20 mm	20 mm	20 mm	W1100.8005.90
Furniture knob polished nickel	24 mm	32 mm	24 mm	W1100.8006.90

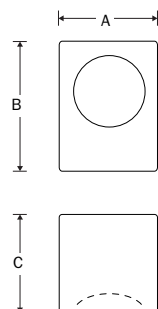
W1300.8002.90



KARE FURNITURE KNOB

DESCRIPTION	A	B	C	NUMBER
Furniture knob satin nickel unlacquered	11 mm	19 mm	11 mm	W1300.8002.90
Furniture knob satin nickel unlacquered	14 mm	22 mm	14 mm	W1300.8003.90
Furniture knob satin nickel unlacquered	17 mm	24 mm	17 mm	W1300.8004.90
Furniture knob satin nickel unlacquered	20 mm	20 mm	20 mm	W1300.8005.90
Furniture knob satin nickel unlacquered	24 mm	32 mm	24 mm	W1300.8006.90

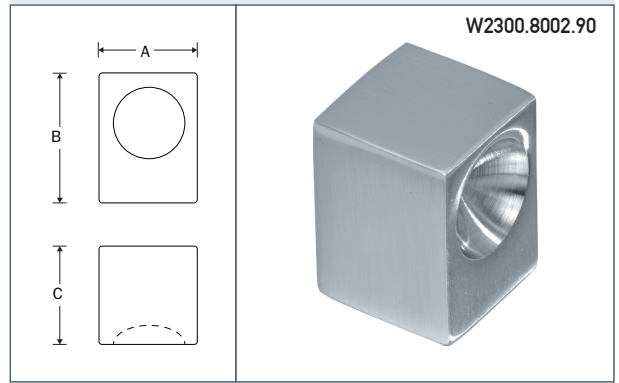
W2100.8002.90



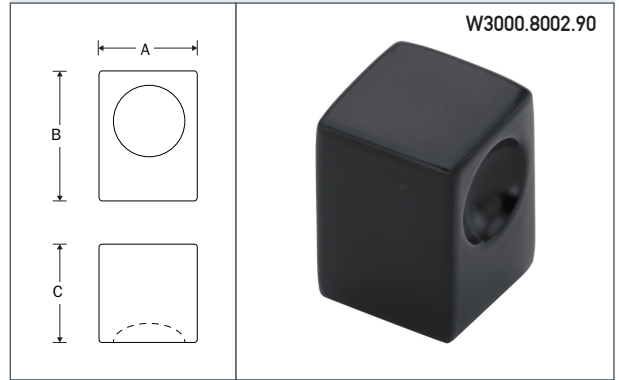
KARE FURNITURE KNOB

DESCRIPTION	A	B	C	NUMBER
Furniture knob polished chrome	11 mm	19 mm	11 mm	W2100.8002.90
Furniture knob polished chrome	14 mm	22 mm	14 mm	W2100.8003.90
Furniture knob polished chrome	17 mm	24 mm	17 mm	W2100.8004.90
Furniture knob polished chrome	20 mm	20 mm	20 mm	W2100.8005.90
Furniture knob polished chrome	24 mm	32 mm	24 mm	W2100.8006.90

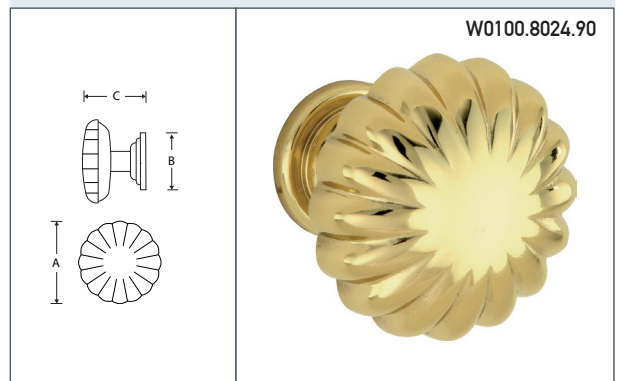
KARE FURNITURE KNOB				
DESCRIPTION	A	B	C	NUMBER
Furniture knob satin chrome	11 mm	19 mm	11 mm	W2300.8002.90
Furniture knob satin chrome	14 mm	22 mm	14 mm	W2300.8003.90
Furniture knob satin chrome	17 mm	24 mm	17 mm	W2300.8004.90
Furniture knob satin chrome	20 mm	20 mm	20 mm	W2300.8005.90
Furniture knob satin chrome	24 mm	32 mm	24 mm	W2300.8006.90



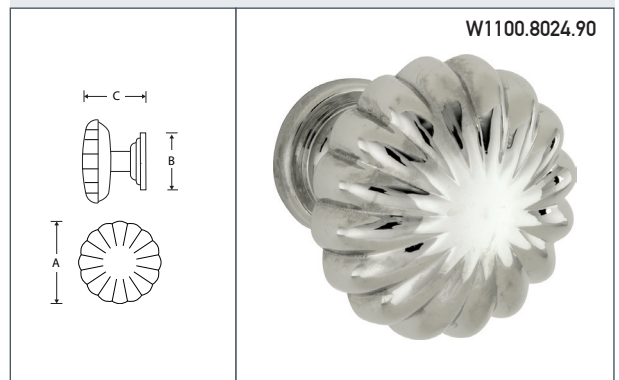
KARE FURNITURE KNOB				
DESCRIPTION	A	B	C	NUMBER
Furniture knob matt black	11 mm	19 mm	11 mm	W3000.8002.90
Furniture knob matt black	14 mm	22 mm	14 mm	W3000.8003.90
Furniture knob matt black	17 mm	24 mm	17 mm	W3000.8004.90
Furniture knob matt black	20 mm	20 mm	20 mm	W3000.8005.90
Furniture knob matt black	24 mm	32 mm	24 mm	W3000.8006.90



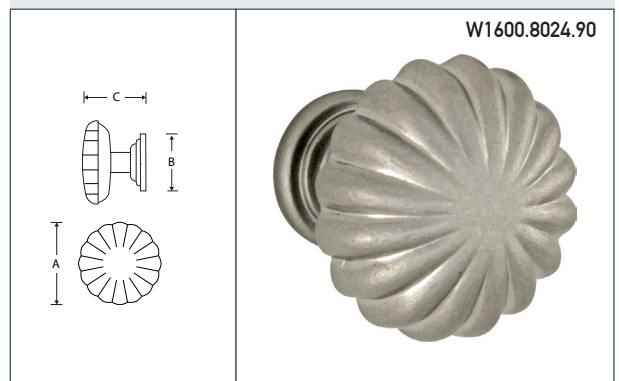
NOUVEAU FURNITURE KNOB				
DESCRIPTION	A	B	C	NUMBER
Furniture knob brass lacquered	25 mm	16 mm	26 mm	W0100.8024.90
Furniture knob brass lacquered	30 mm	17 mm	30 mm	W0100.8025.90
Furniture knob brass lacquered	35 mm	19 mm	35 mm	W0100.8026.90



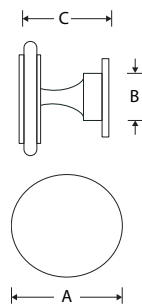
NOUVEAU FURNITURE KNOB				
DESCRIPTION	A	B	C	NUMBER
Furniture knob polished nickel	25 mm	16 mm	26 mm	W1100.8024.90
Furniture knob polished nickel	30 mm	17 mm	30 mm	W1100.8025.90
Furniture knob polished nickel	35 mm	19 mm	35 mm	W1100.8026.90



NOUVEAU FURNITURE KNOB				
DESCRIPTION	A	B	C	NUMBER
Furniture knob antique nickel unlacquered	25 mm	16 mm	26 mm	W1600.8024.90
Furniture knob antique nickel unlacquered	30 mm	17 mm	30 mm	W1600.8025.90
Furniture knob antique nickel unlacquered	35 mm	19 mm	35 mm	W1600.8026.90



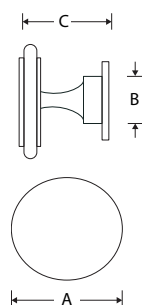
W0186.8207.90



EGUALE FURNITURE KNOB

DESCRIPTION	A	B	C	NUMBER
Furniture knob brass lacquered	20 mm	17 mm	18 mm	W0186.8207.90
Furniture knob brass lacquered	25 mm	20 mm	21 mm	W0186.8208.90
Furniture knob brass lacquered	32 mm	26 mm	23 mm	W0186.8209.90
Furniture knob brass lacquered	40 mm	30 mm	26 mm	W0186.8210.90

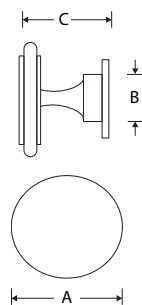
W2186.8207.90



EGUALE FURNITURE KNOB

DESCRIPTION	A	B	C	NUMBER
Furniture knob polished chrome	20 mm	17 mm	18 mm	W2186.8207.90
Furniture knob polished chrome	25 mm	20 mm	21 mm	W2186.8208.90
Furniture knob polished chrome	32 mm	26 mm	23 mm	W2186.8209.90
Furniture knob polished chrome	40 mm	30 mm	26 mm	W2186.8210.90

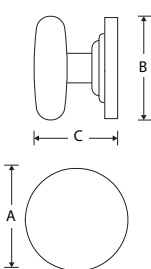
W3986.8207.90



EGUALE FURNITURE KNOB

DESCRIPTION	A	B	C	NUMBER
Furniture knob antique bronze	20 mm	17 mm	18 mm	W3986.8207.90
Furniture knob antique bronze	25 mm	20 mm	21 mm	W3986.8208.90
Furniture knob antique bronze	32 mm	26 mm	23 mm	W3986.8209.90
Furniture knob antique bronze	40 mm	30 mm	26 mm	W3986.8210.90

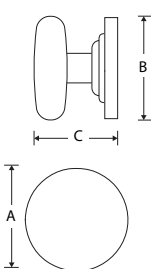
W0100.8007.90



ELEGANT FURNITURE KNOB

DESCRIPTION	A	B	C	NUMBER
Furniture knob brass lacquered	35 mm	40 mm	41 mm	W0100.8007.90
Furniture knob brass lacquered	45 mm	50 mm	54 mm	W0100.8008.90

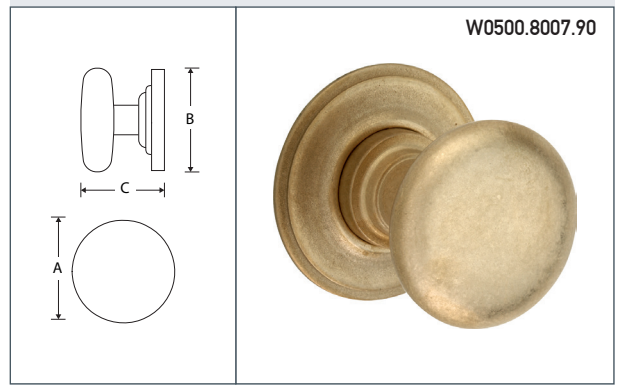
W0200.8007.90



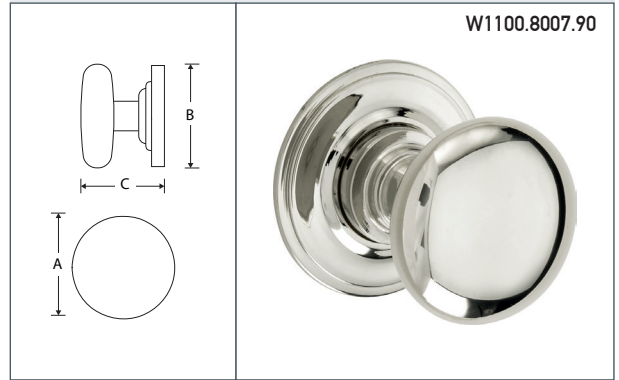
ELEGANT FURNITURE KNOB

DESCRIPTION	A	B	C	NUMBER
Furniture knob brass unlacquered	35 mm	40 mm	41 mm	W0200.8007.90
Furniture knob brass unlacquered	45 mm	50 mm	54 mm	W0200.8008.90

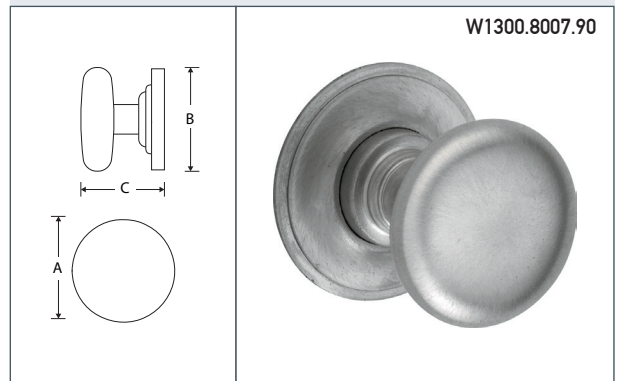
ELEGANT FURNITURE KNOB				
DESCRIPTION	A	B	C	NUMBER
Furniture knob brass antique	35 mm	40 mm	41 mm	W0500.8007.90
Furniture knob brass antique	45 mm	50 mm	54 mm	W0500.8008.90



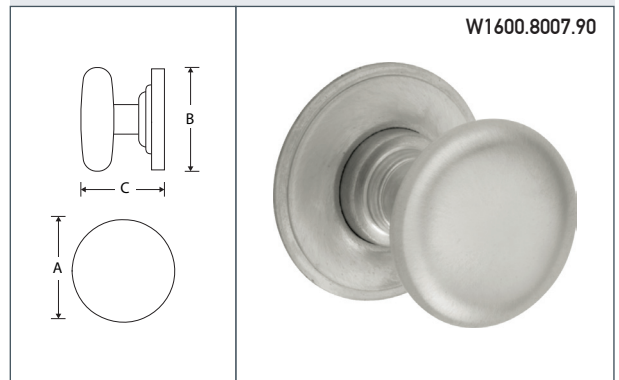
ELEGANT FURNITURE KNOB				
DESCRIPTION	A	B	C	NUMBER
Furniture knob polished nickel	35 mm	40 mm	41 mm	W1100.8007.90
Furniture knob polished nickel	45 mm	50 mm	54 mm	W1100.8008.90



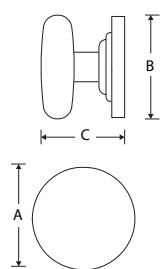
ELEGANT FURNITURE KNOB				
DESCRIPTION	A	B	C	NUMBER
Furniture knob satin nickel unlacquered	35 mm	40 mm	41 mm	W1300.8007.90
Furniture knob satin nickel unlacquered	45 mm	50 mm	54 mm	W1300.8008.90



ELEGANT FURNITURE KNOB				
DESCRIPTION	A	B	C	NUMBER
Furniture knob antique nickel unlacquered	35 mm	40 mm	41 mm	W1600.8007.90
Furniture knob antique nickel unlacquered	45 mm	50 mm	54 mm	W1600.8008.90



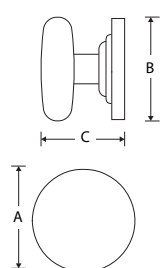
W2100.8007.90



ELEGANT FURNITURE KNOB

DESCRIPTION	A	B	C	NUMBER
Furniture knob polished chrome	35 mm	40 mm	41 mm	W2100.8007.90
Furniture knob polished chrome	45 mm	50 mm	54 mm	W2100.8008.90

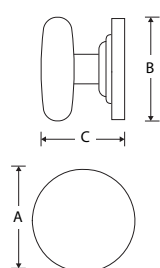
W2300.8007.90



ELEGANT FURNITURE KNOB

DESCRIPTION	A	B	C	NUMBER
Furniture knob satin chrome	35 mm	40 mm	41 mm	W2300.8007.90
Furniture knob satin chrome	45 mm	50 mm	54 mm	W2300.8008.90

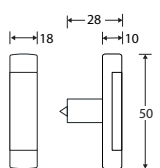
W3000.8007.90



ELEGANT FURNITURE KNOB

DESCRIPTION	A	B	C	NUMBER
Furniture knob matt black	35 mm	40 mm	41 mm	W3000.8007.90
Furniture knob matt black	45 mm	50 mm	54 mm	W3000.8008.90

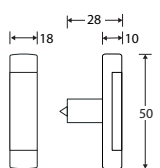
W1100.8058.90



DUAL FURNITURE KNOB

DESCRIPTION	NUMBER
Furniture knob polished nickel ebony	W1100.8058.90

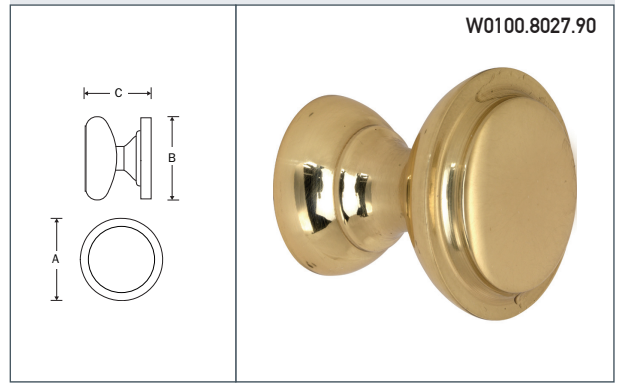
W1300.8058.90



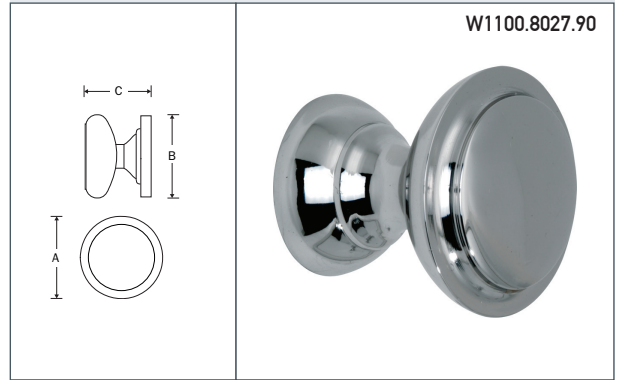
DUAL FURNITURE KNOB

DESCRIPTION	NUMBER
Furniture knob satin nickel unlacquered ebony	W1300.8058.90

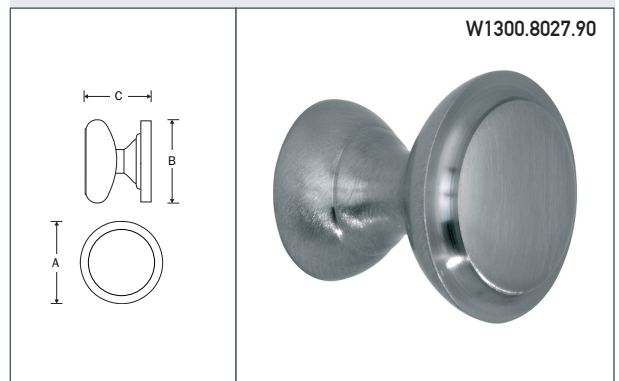
GALICIA FURNITURE KNOB				
DESCRIPTION	A	B	C	NUMBER
Furniture knob brass lacquered	20 mm	16 mm	22 mm	W0100.8027.90
Furniture knob brass lacquered	25 mm	20 mm	26 mm	W0100.8028.90
Furniture knob brass lacquered	30 mm	22 mm	30 mm	W0100.8029.90



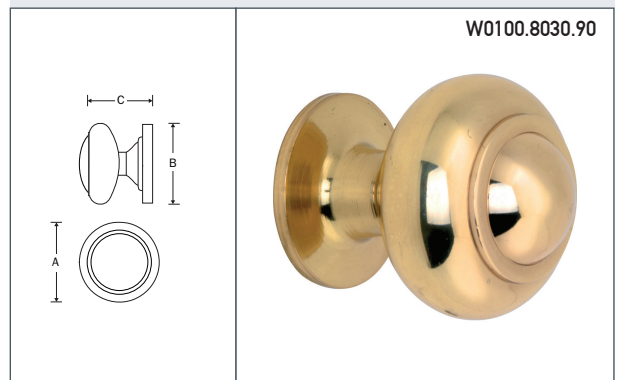
GALICIA FURNITURE KNOB				
DESCRIPTION	A	B	C	NUMBER
Furniture knob polished nickel	20 mm	16 mm	22 mm	W1100.8027.90
Furniture knob polished nickel	25 mm	20 mm	26 mm	W1100.8028.90
Furniture knob polished nickel	30 mm	22 mm	30 mm	W1100.8029.90



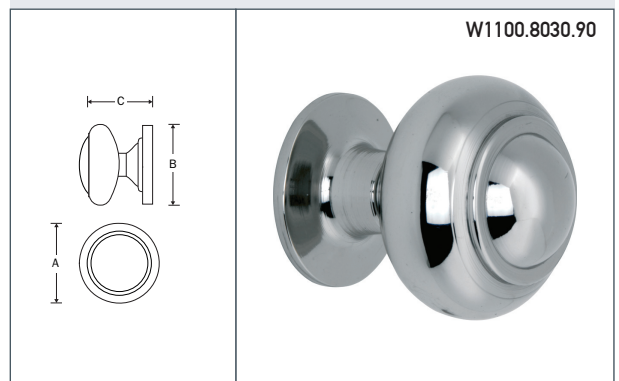
GALICIA FURNITURE KNOB				
DESCRIPTION	A	B	C	NUMBER
Furniture knob satin nickel unlacquered	20 mm	16 mm	22 mm	W1300.8027.90
Furniture knob satin nickel unlacquered	25 mm	20 mm	26 mm	W1300.8028.90
Furniture knob satin nickel unlacquered	30 mm	22 mm	30 mm	W1300.8029.90



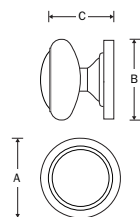
TURBANTE FURNITURE KNOB				
DESCRIPTION	A	B	C	NUMBER
Furniture knob brass lacquered	16 mm	15 mm	21 mm	W0100.8030.90
Furniture knob brass lacquered	20 mm	16 mm	24 mm	W0100.8031.90
Furniture knob brass lacquered	24 mm	19 mm	28 mm	W0100.8032.90



TURBANTE FURNITURE KNOB				
DESCRIPTION	A	B	C	NUMBER
Furniture knob polished nickel	16 mm	15 mm	21 mm	W1100.8030.90
Furniture knob polished nickel	20 mm	16 mm	24 mm	W1100.8031.90
Furniture knob polished nickel	24 mm	19 mm	28 mm	W1100.8032.90



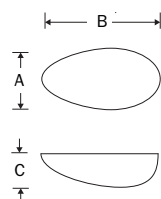
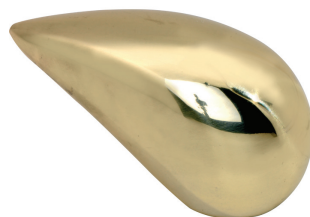
W1300.8030.90



TURBANTE FURNITURE KNOB

DESCRIPTION	A	B	C	NUMBER
Furniture knob satin nickel unlacquered	16 mm	15 mm	21 mm	W1300.8030.90
Furniture knob satin nickel unlacquered	20 mm	16 mm	24 mm	W1300.8031.90
Furniture knob satin nickel unlacquered	24 mm	19 mm	28 mm	W1300.8032.90

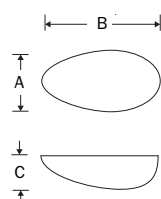
W0186.8167.90



GOCCIA FURNITURE KNOB

DESCRIPTION	A	B	C	NUMBER
Furniture knob brass lacquered	17 mm	33 mm	19 mm	W0186.8167.90
Furniture knob brass lacquered	22 mm	45 mm	16 mm	W0186.8168.90

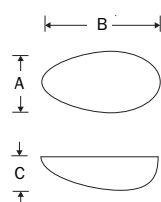
W1186.8167.90



GOCCIA FURNITURE KNOB

DESCRIPTION	A	B	C	NUMBER
Furniture knob polished nickel	17 mm	33 mm	19 mm	W1186.8167.90
Furniture knob polished nickel	22 mm	45 mm	16 mm	W1186.8168.90

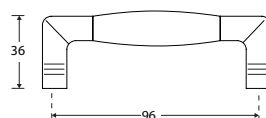
W1386.8167.90



GOCCIA FURNITURE KNOB

DESCRIPTION	A	B	C	NUMBER
Furniture knob satin nickel unlacquered	17 mm	33 mm	19 mm	W1386.8167.90
Furniture knob satin nickel unlacquered	22 mm	45 mm	16 mm	W1386.8168.90

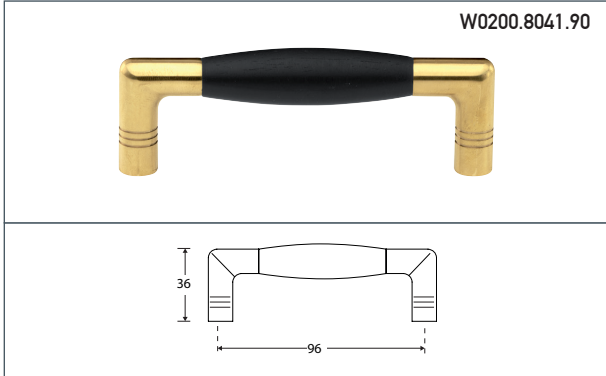
W0100.8041.90



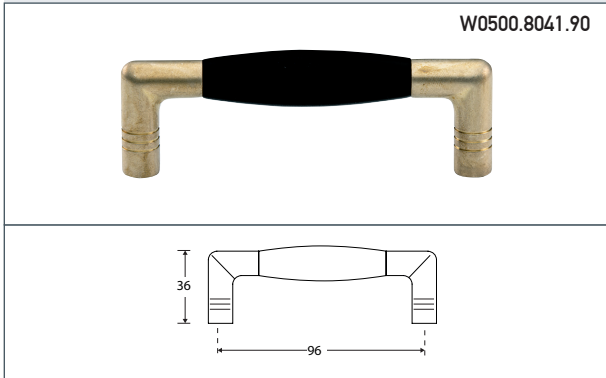
TON FURNITURE HANDLE

DESCRIPTION	NUMBER
Furniture handle brass lacquered ebony	W0100.8041.90

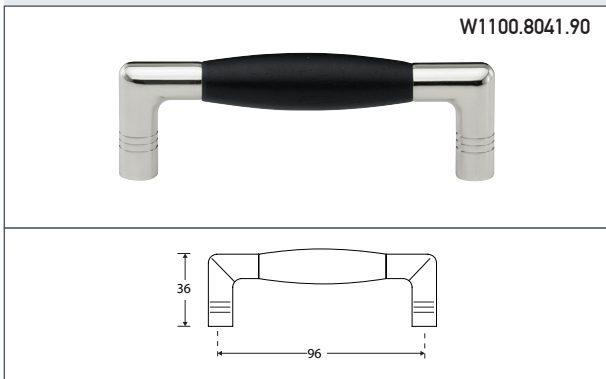
TON FURNITURE HANDLE	
DESCRIPTION	NUMBER
Furniture handle brass unlacquered ebony	W0200.8041.90
Furniture handle brass unlacquered bubinga	W0200.8067.90



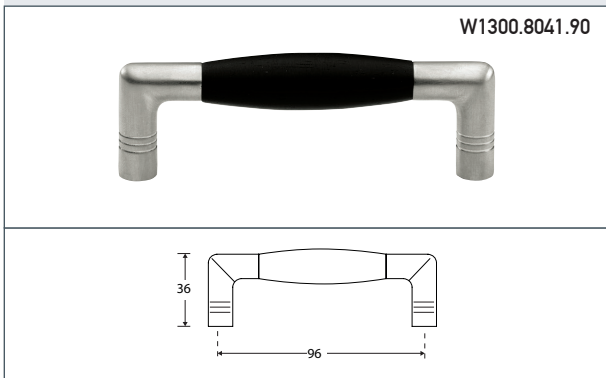
TON FURNITURE HANDLE	
DESCRIPTION	NUMBER
Furniture handle brass antique ebony	W0500.8041.90



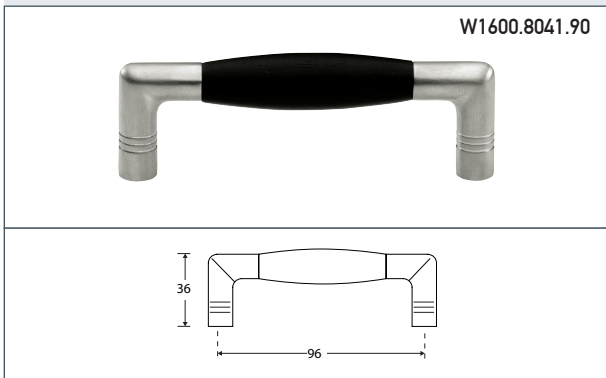
TON FURNITURE HANDLE	
DESCRIPTION	NUMBER
Furniture handle polished nickel ebony	W1100.8041.90



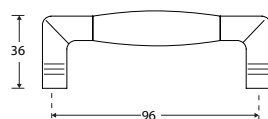
TON FURNITURE HANDLE	
DESCRIPTION	NUMBER
Furniture handle satin nickel unlacquered ebony	W1300.8041.90



TON FURNITURE HANDLE	
DESCRIPTION	NUMBER
Furniture handle antique nickel unlacquered ebony	W1600.8041.90



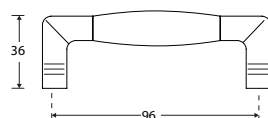
W2300.8041.90



TON FURNITURE HANDLE

DESCRIPTION	NUMBER
Furniture handle satin chrome ebony	W2300.8041.90

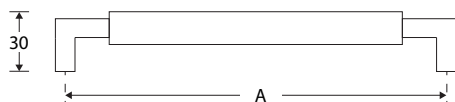
W3000.8040.90



TON FURNITURE HANDLE

DESCRIPTION	NUMBER
Furniture handle matt black / teak	W3000.8040.90

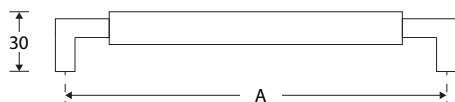
W0200.8071.90



BAUHAUS-STYLE FURNITURE HANDLE

DESCRIPTION	A	NUMBER
Furniture handle brass unlacquered	96 mm	W0200.8071.90
Furniture handle brass unlacquered	128 mm	W0200.8072.90
Furniture handle brass unlacquered	160 mm	W0200.8073.90
Furniture handle brass unlacquered	192 mm	W0200.8074.90

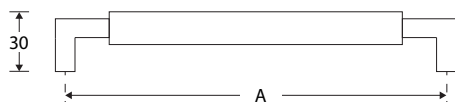
W0500.8071.90



BAUHAUS-STYLE FURNITURE HANDLE

DESCRIPTION	A	NUMBER
Furniture handle brass antique	96 mm	W0500.8071.90
Furniture handle brass antique	128 mm	W0500.8072.90
Furniture handle brass antique	160 mm	W0500.8073.90
Furniture handle brass antique	192 mm	W0500.8074.90

W1100.8071.90



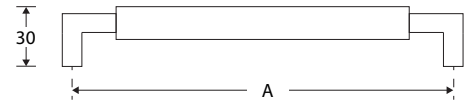
BAUHAUS-STYLE FURNITURE HANDLE

DESCRIPTION	A	NUMBER
Furniture handle polished nickel	96 mm	W1100.8071.90
Furniture handle polished nickel	128 mm	W1100.8072.90
Furniture handle polished nickel	160 mm	W1100.8073.90
Furniture handle polished nickel	192 mm	W1100.8074.90

BAUHAUS-STYLE FURNITURE HANDLE

DESCRIPTION	A	NUMBER
Furniture handle satin nickel unlacquered	96 mm	W1300.8071.90
Furniture handle satin nickel unlacquered	128 mm	W1300.8072.90
Furniture handle satin nickel unlacquered	160 mm	W1300.8073.90
Furniture handle satin nickel unlacquered	192 mm	W1300.8074.90

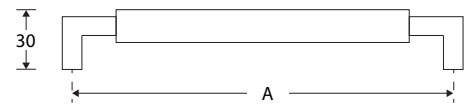
W1300.8071.90



BAUHAUS-STYLE FURNITURE HANDLE

DESCRIPTION	A	NUMBER
Furniture handle polished chrome	96 mm	W2100.8071.90
Furniture handle polished chrome	128 mm	W2100.8072.90
Furniture handle polished chrome	160 mm	W2100.8073.90
Furniture handle polished chrome	192 mm	W2100.8074.90

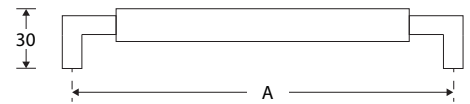
W2100.8071.90



BAUHAUS-STYLE FURNITURE HANDLE

DESCRIPTION	A	NUMBER
Furniture handle matt black	96 mm	W3000.8071.90
Furniture handle matt black	128 mm	W3000.8072.90
Furniture handle matt black	160 mm	W3000.8073.90
Furniture handle matt black	192 mm	W3000.8074.90

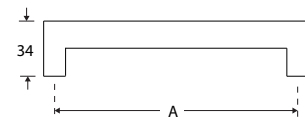
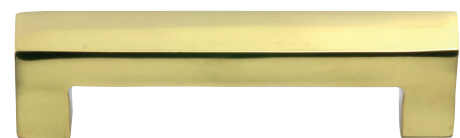
W3000.8071.90



KARE FURNITURE HANDLE

DESCRIPTION	A	NUMBER
Furniture handle brass lacquered	96 mm	W0100.8038.90
Furniture handle brass lacquered	128 mm	W0100.8039.90

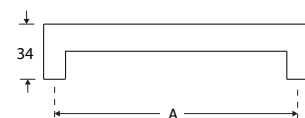
W0100.8038.90



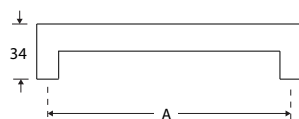
KARE FURNITURE HANDLE

DESCRIPTION	A	NUMBER
Furniture handle polished nickel	96 mm	W1100.8038.90
Furniture handle polished nickel	128 mm	W1100.8039.90

W1100.8038.90



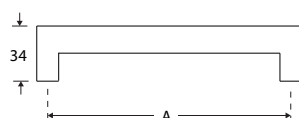
W1300.8038.90



KARE FURNITURE HANDLE

DESCRIPTION	A	NUMBER
Furniture handle satin nickel unlacquered	96 mm	W1300.8038.90
Furniture handle satin nickel unlacquered	128 mm	W1300.8039.90

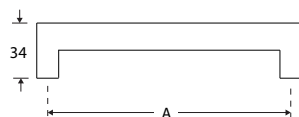
W2100.8038.90



KARE FURNITURE HANDLE

DESCRIPTION	A	NUMBER
Furniture handle polished chrome	96 mm	W2100.8038.90
Furniture handle polished chrome	128 mm	W2100.8039.90

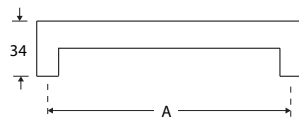
W2300.8038.90



KARE FURNITURE HANDLE

DESCRIPTION	A	NUMBER
Furniture handle satin chrome	96 mm	W2300.8038.90
Furniture handle satin chrome	128 mm	W2300.8039.90

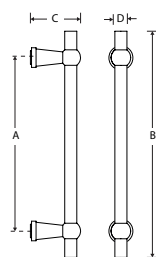
W3000.8038.90



KARE FURNITURE HANDLE

DESCRIPTION	A	NUMBER
Furniture handle matt black	96 mm	W3000.8038.90
Furniture handle matt black	128 mm	W3000.8039.90

W0200.8034.90

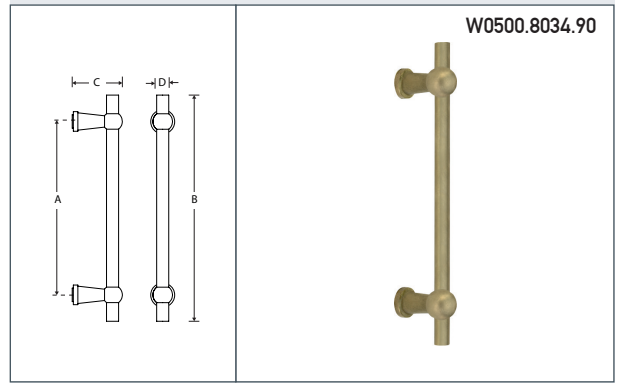


CHEMIN DE FER FURNITURE HANDLE

DESCRIPTION	A	B	C	D	NUMBER
Furniture handle brass unlacquered	128 mm	174 mm	35 mm	9 mm	W0200.8034.90
Furniture handle brass unlacquered	160 mm	240 mm	40 mm	10 mm	W0200.8035.90
Furniture handle brass unlacquered	192 mm	272 mm	40 mm	10 mm	W0200.8036.90
Furniture handle brass unlacquered	224 mm	304 mm	40 mm	10 mm	W0200.8037.90

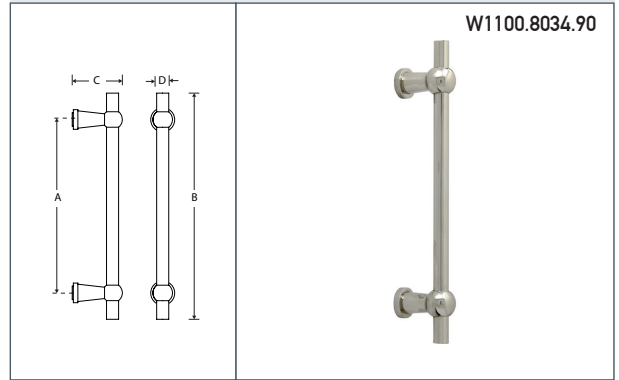
CHEMIN DE FER FURNITURE HANDLE

DESCRIPTION	A	B	C	D	NUMBER
Furniture handle brass antique	128 mm	174 mm	35 mm	9 mm	W0500.8034.90
Furniture handle brass antique	160 mm	240 mm	40 mm	10 mm	W0500.8035.90
Furniture handle brass antique	192 mm	272 mm	40 mm	10 mm	W0500.8036.90
Furniture handle brass antique	224 mm	304 mm	40 mm	10 mm	W0500.8037.90



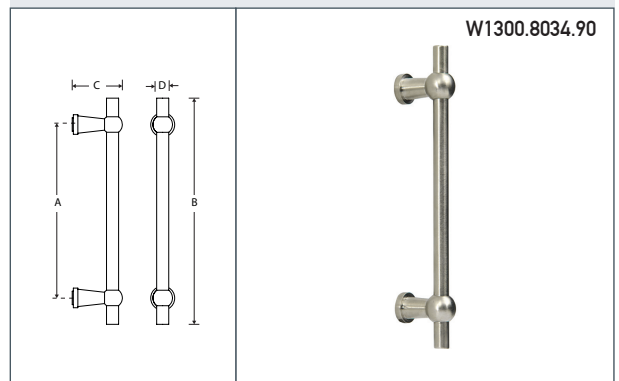
CHEMIN DE FER FURNITURE HANDLE

DESCRIPTION	A	B	C	D	NUMBER
Furniture handle polished nickel	128 mm	174 mm	35 mm	9 mm	W1100.8034.90
Furniture handle polished nickel	160 mm	240 mm	40 mm	10 mm	W1100.8035.90
Furniture handle polished nickel	192 mm	272 mm	40 mm	10 mm	W1100.8036.90
Furniture handle polished nickel	224 mm	304 mm	40 mm	10 mm	W1100.8037.90



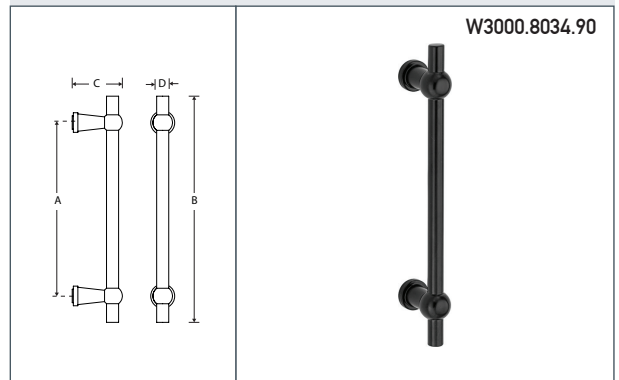
CHEMIN DE FER FURNITURE HANDLE

DESCRIPTION	A	B	C	D	NUMBER
Furniture handle satin nickel unlacquered	128 mm	174 mm	35 mm	9 mm	W1300.8034.90
Furniture handle satin nickel unlacquered	160 mm	240 mm	40 mm	10 mm	W1300.8035.90
Furniture handle satin nickel unlacquered	192 mm	272 mm	40 mm	10 mm	W1300.8036.90
Furniture handle satin nickel unlacquered	224 mm	304 mm	40 mm	10 mm	W1300.8037.90



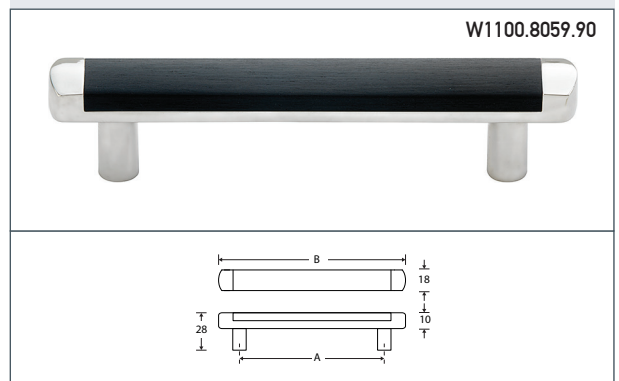
CHEMIN DE FER FURNITURE HANDLE

DESCRIPTION	A	B	C	D	NUMBER
Furniture handle matt black	128 mm	174 mm	35 mm	9 mm	W3000.8034.90
Furniture handle matt black	160 mm	240 mm	40 mm	10 mm	W3000.8035.90
Furniture handle matt black	192 mm	272 mm	40 mm	10 mm	W3000.8036.90
Furniture handle matt black	224 mm	304 mm	40 mm	10 mm	W3000.8037.90

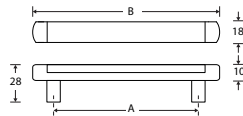


DUAL FURNITURE HANDLE

DESCRIPTION	A	B	NUMBER
Furniture handle polished nickel ebony	96 mm	130 mm	W1100.8059.90
Furniture handle polished nickel ebony	128 mm	162 mm	W1100.8060.90
Furniture handle polished nickel ebony	160 mm	194 mm	W1100.8061.90
Furniture handle polished nickel ebony	192 mm	226 mm	W1100.8062.90
Furniture handle polished nickel ebony	224 mm	258 mm	W1100.8063.90



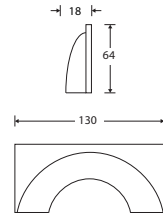
W1300.8059.90



DUAL FURNITURE HANDLE

DESCRIPTION	A	B	NUMBER
Furniture handle satin nickel unlacquered ebony	96 mm	130 mm	W1300.8059.90
Furniture handle satin nickel unlacquered ebony	128 mm	162 mm	W1300.8060.90
Furniture handle satin nickel unlacquered ebony	160 mm	194 mm	W1300.8061.90
Furniture handle satin nickel unlacquered ebony	192 mm	226 mm	W1300.8062.90
Furniture handle satin nickel unlacquered ebony	224 mm	258 mm	W1300.8063.90

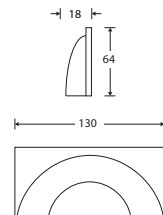
W1100.8066.90



ASTA FURNITURE HANDLE

DESCRIPTION	NUMBER
Furniture handle polished nickel	W1100.8066.90

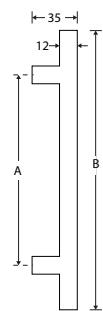
W1200.8066.90



ASTA FURNITURE HANDLE

DESCRIPTION	NUMBER
Furniture handle satin nickel lacquered	W1200.8066.90

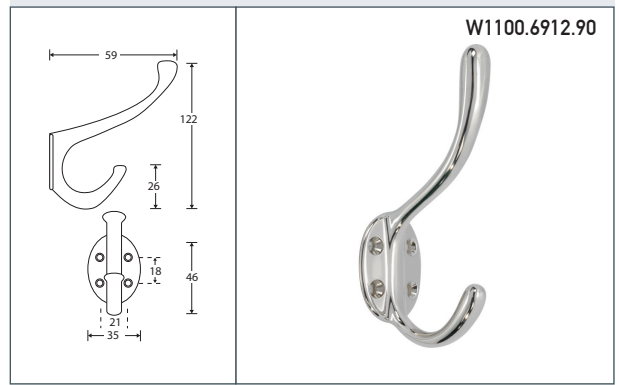
W5200.8042.90



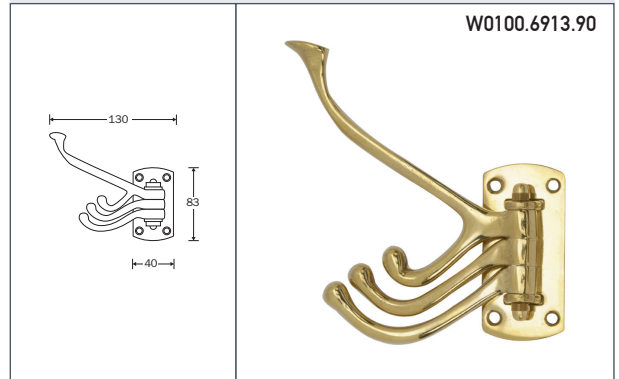
T FURNITURE HANDLE

DESCRIPTION	A	B	NUMBER
Furniture handle brushed metal	96 mm	176 mm	W5200.8042.90
Furniture handle brushed metal	128 mm	208 mm	W5200.8043.90
Furniture handle brushed metal	160 mm	240 mm	W5200.8044.90
Furniture handle brushed metal	192 mm	272 mm	W5200.8045.90
Furniture handle brushed metal	224 mm	304 mm	W5200.8046.90

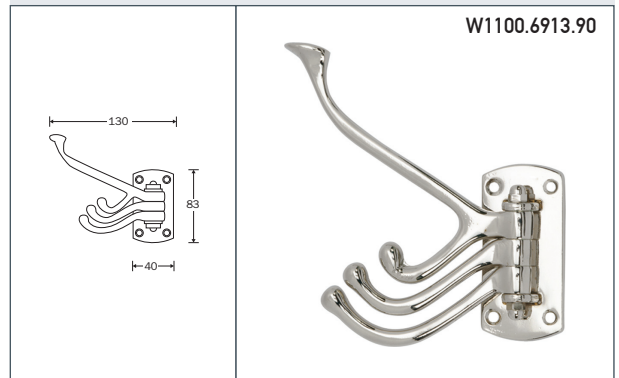
BERN HAT HOOK	
DESCRIPTION	NUMBER
Hat hook brass lacquered	W0100.6912.90
Hat hook brass unlacquered	W0200.6912.90
Hat hook polished nickel	W1100.6912.90
Hat hook satin nickel unlacquered	W1300.6912.90
Hat hook antique nickel unlacquered	W1600.6912.90
Hat hook polished chrome	W2100.6912.90
Hat hook satin chrome	W2300.6912.90
Hat hook matt black	W3000.6912.90



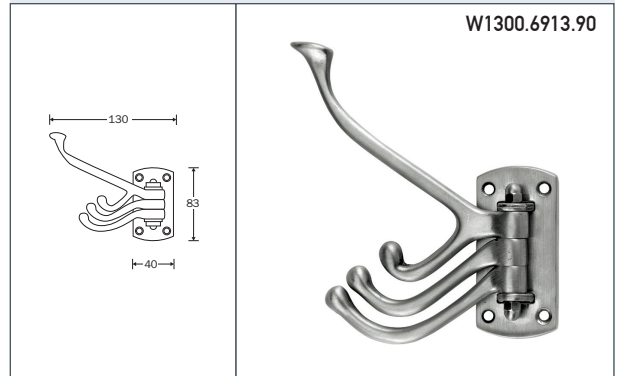
WENDE HAT HOOK REVOLVING	
DESCRIPTION	NUMBER
Hat hook Revolving brass lacquered	W0100.6913.90

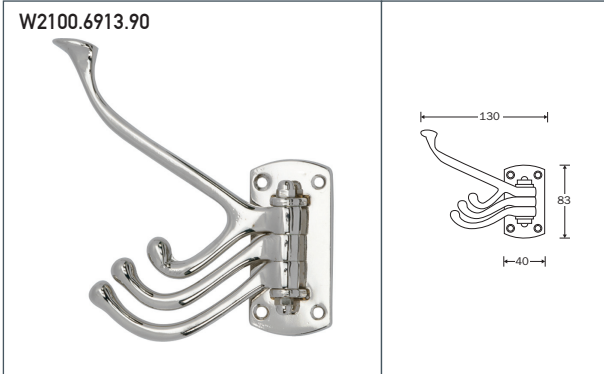


WENDE HAT HOOK REVOLVING	
DESCRIPTION	NUMBER
Hat hook Revolving polished nickel	W1100.6913.90



WENDE HAT HOOK REVOLVING	
DESCRIPTION	NUMBER
Hat hook Revolving satin nickel unlacquered	W1300.6913.90

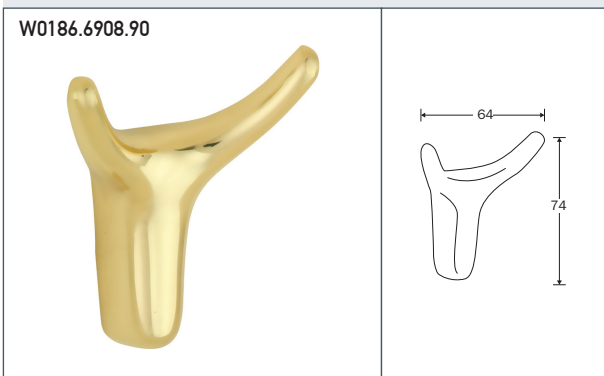




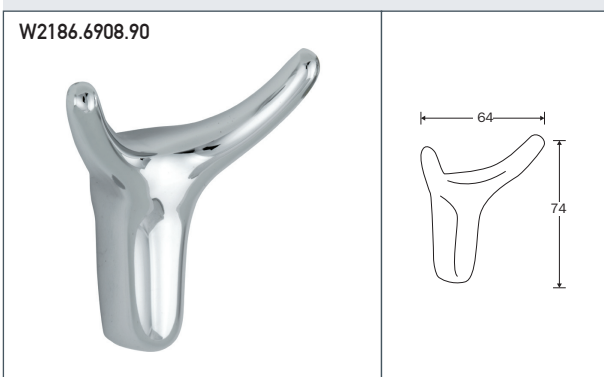
WENDE HAT HOOK REVOLVING	
DESCRIPTION	NUMBER
Hat hook Revolving polished chrome	W2100.6913.90



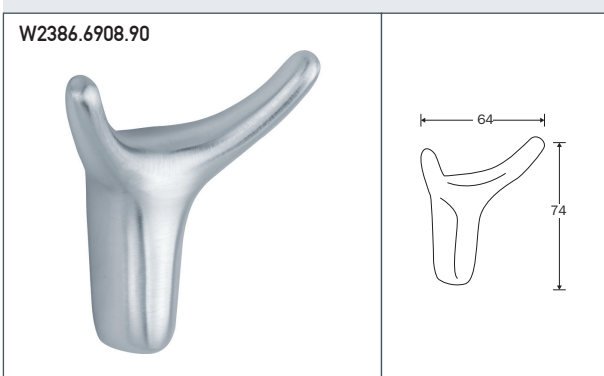
FOLDING HOOK	
DESCRIPTION	NUMBER
Folding hook brass lacquered	W0100.6914.90
Folding hook polished nickel	W1100.6914.90
Folding hook satin nickel lacquered	W1200.6914.90



Y COAT HOOK	
DESCRIPTION	NUMBER
Coat hook brass lacquered	W0186.6908.90



Y COAT HOOK	
DESCRIPTION	NUMBER
Coat hook polished chrome	W2186.6908.90

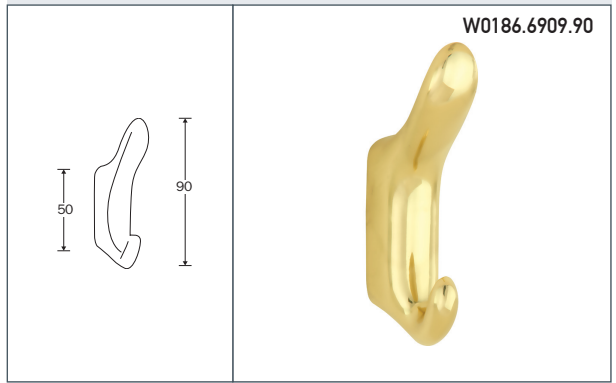


Y COAT HOOK	
DESCRIPTION	NUMBER
Coat hook satin chrome	W2386.6908.90

F COAT HOOK

DESCRIPTION NUMBER

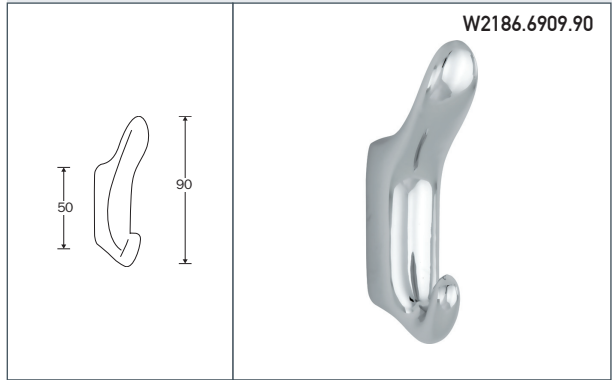
Coat hook brass lacquered W0186.6909.90



F COAT HOOK

DESCRIPTION NUMBER

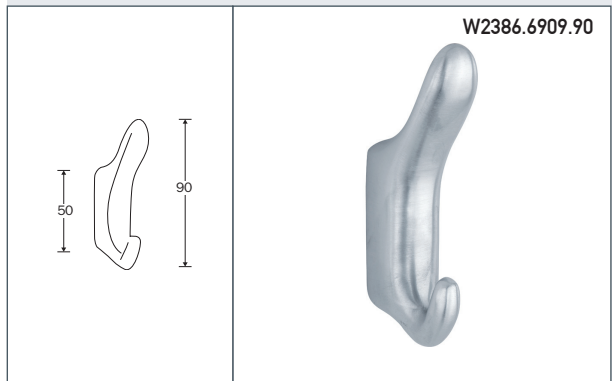
Coat hook polished chrome W2186.6909.90



F COAT HOOK

DESCRIPTION NUMBER

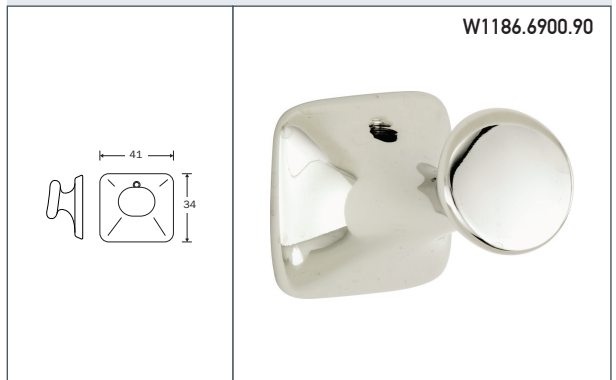
Coat hook satin chrome W2386.6909.90



GANCIO COAT HOOK

DESCRIPTION NUMBER

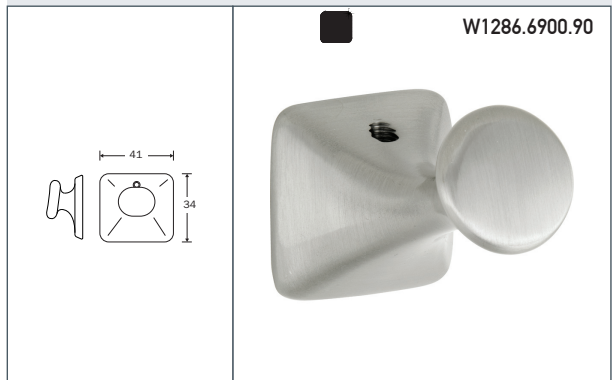
Coat hook polished nickel W1186.6900.90



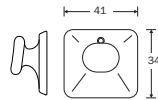
GANCIO COAT HOOK

DESCRIPTION NUMBER

Coat hook satin nickel lacquered W1286.6900.90



W2186.6900.90



GANCIO COAT HOOK

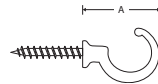
DESCRIPTION

NUMBER

Coat hook polished chrome

W2186.6900.90

W0186.9008.90



SCREW HOOK

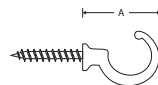
DESCRIPTION

A

NUMBER

Screw hook brass lacquered	23 mm	W0186.9008.90
Screw hook brass lacquered	29 mm	W0186.9009.90
Screw hook brass lacquered	35 mm	W0186.9010.90
Screw hook brass lacquered	42 mm	W0186.9011.90
Screw hook brass lacquered	50 mm	W0186.9012.90

W1186.9008.90



SCREW HOOK

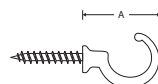
DESCRIPTION

A

NUMBER

Screw hook polished nickel	23 mm	W1186.9008.90
Screw hook polished nickel	29 mm	W1186.9009.90
Screw hook polished nickel	35 mm	W1186.9010.90
Screw hook polished nickel	42 mm	W1186.9011.90
Screw hook polished nickel	50 mm	W1186.9012.90

W1286.9008.90



SCREW HOOK

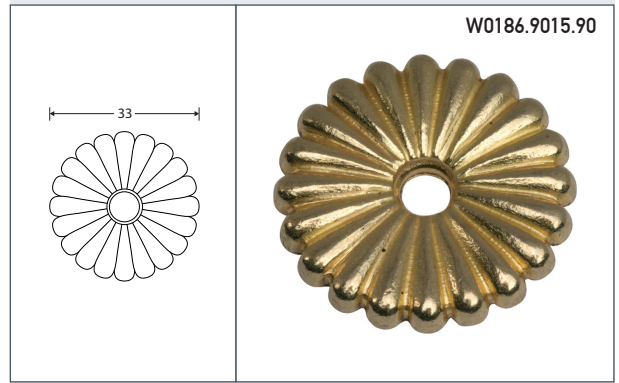
DESCRIPTION

A

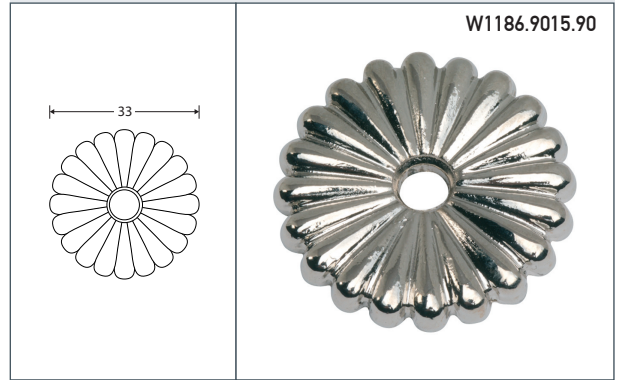
NUMBER

Screw hook satin nickel lacquered	23 mm	W1286.9008.90
Screw hook satin nickel lacquered	29 mm	W1286.9009.90
Screw hook satin nickel lacquered	35 mm	W1286.9010.90
Screw hook satin nickel lacquered	42 mm	W1286.9011.90
Screw hook satin nickel lacquered	50 mm	W1286.9012.90

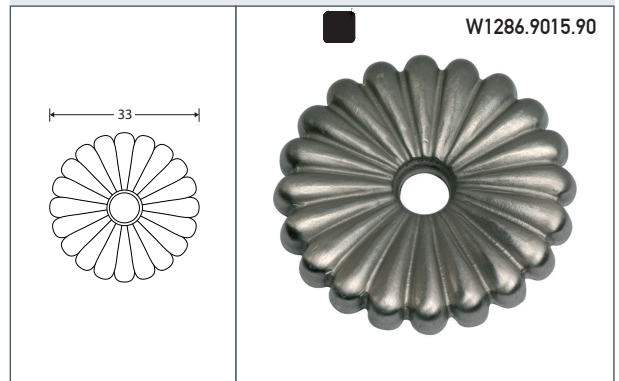
ROSETTE FOR SCREW HOOK	
DESCRIPTION	NUMBER
Rosette for screw hook brass lacquered	W0186.9015.90



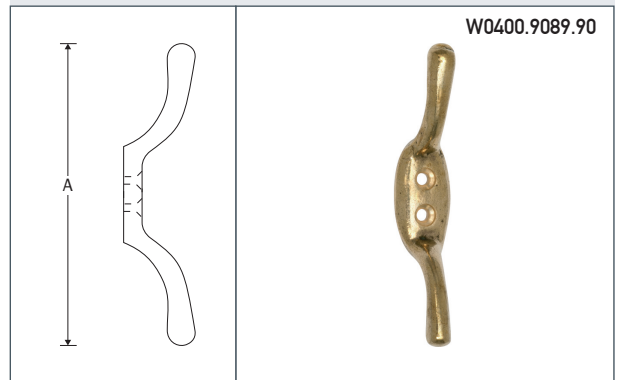
ROSETTE FOR SCREW HOOK	
DESCRIPTION	NUMBER
Rosette for screw hook polished nickel	W1186.9015.90



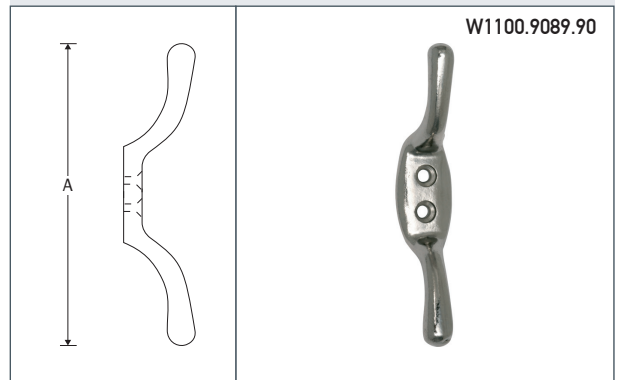
ROSETTE FOR SCREW HOOK	
DESCRIPTION	NUMBER
Rosette for screw hook satin nickel lacquered	W1286.9015.90



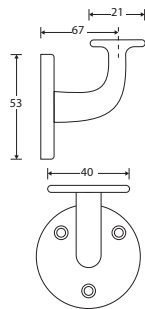
CABLE HOLDER		
DESCRIPTION	A	NUMBER
Cable holder brass rolled unlacquered	43 mm	W0400.9089.90
Cable holder brass rolled unlacquered	75 mm	W0400.9090.90
Cable holder brass rolled unlacquered	90 mm	W0400.9091.90



CABLE HOLDER		
DESCRIPTION	A	NUMBER
Cable holder brass polished nickel	43 mm	W1100.9089.90
Cable holder brass polished nickel	75 mm	W1100.9090.90
Cable holder brass polished nickel	90 mm	W1100.9091.90



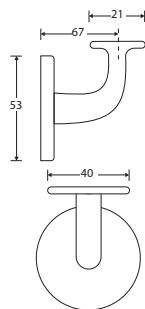
W1300.6924.90



ELEGANT HANDRAIL BRACKET FOR ROUND RAIL, WITH SCREW HOLES

DESCRIPTION	NUMBER
Handrail bracket for round rail, with screw holes brass lacquered	W0100.6924.90
Handrail bracket for round rail, with screw holes brass unlacquered	W0200.6924.90
Handrail bracket for round rail, with screw holes polished nickel	W1100.6924.90
Handrail bracket for round rail, with screw holes satin nickel unlacquered	W1300.6924.90
Handrail bracket for round rail, with screw holes polished chrome	W2100.6924.90
Handrail bracket for round rail, with screw holes satin chrome	W2300.6924.90
Handrail bracket for round rail, with screw holes matt black	W3000.6924.90

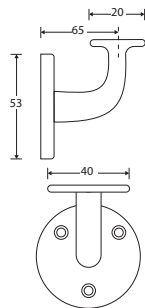
W1300.6916.90



ELEGANT HANDRAIL BRACKET FOR ROUND RAIL, CONCEALED M8

DESCRIPTION	NUMBER
Handrail bracket for round rail, concealed M8 brass lacquered	W0100.6916.90
Handrail bracket for round rail, concealed M8 brass unlacquered	W0200.6916.90
Handrail bracket for round rail, concealed M8 polished nickel	W1100.6916.90
Handrail bracket for round rail, concealed M8 satin nickel unlacquered	W1300.6916.90
Handrail bracket for round rail, concealed M8 polished chrome	W2100.6916.90
Handrail bracket for round rail, concealed M8 satin chrome	W2300.6916.90
Handrail bracket for round rail, concealed M8 matt black	W3000.6916.90

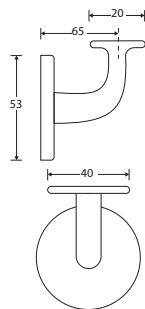
W1300.6917.90



ELEGANT HANDRAIL BRACKET FOR FLAT RAIL, WITH SCREW HOLES

DESCRIPTION	NUMBER
Handrail bracket for flat rail, with screw holes brass lacquered	W0100.6917.90
Handrail bracket for flat rail, with screw holes brass unlacquered	W0200.6917.90
Handrail bracket for flat rail, with screw holes polished nickel	W1100.6917.90
Handrail bracket for flat rail, with screw holes satin nickel unlacquered	W1300.6917.90
Handrail bracket for flat rail, with screw holes polished chrome	W2100.6917.90
Handrail bracket for flat rail, with screw holes satin chrome	W2300.6917.90
Handrail bracket for flat rail, with screw holes matt black	W3000.6917.90

W1300.6918.90

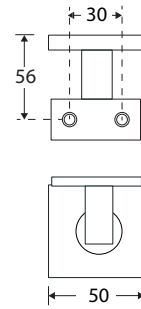


ELEGANT HANDRAIL BRACKET FOR FLAT RAIL, CONCEALED M8

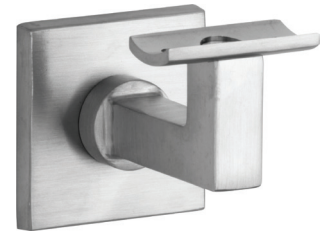
DESCRIPTION	NUMBER
Handrail bracket for flat rail, concealed M8 brass lacquered	W0100.6918.90
Handrail bracket for flat rail, concealed M8 brass unlacquered	W0200.6918.90
Handrail bracket for flat rail, concealed M8 polished nickel	W1100.6918.90
Handrail bracket for flat rail, concealed M8 satin nickel unlacquered	W1300.6918.90
Handrail bracket for flat rail, concealed M8 polished chrome	W2100.6918.90
Handrail bracket for flat rail, concealed M8 satin chrome	W2300.6918.90
Handrail bracket for flat rail, concealed M8 matt black	W3000.6918.90

BAUHAUS-STYLE HANDRAIL BRACKET FOR ROUND RAIL, CONCEALED M10

DESCRIPTION	NUMBER
Handrail bracket for round rail, concealed M10 brass lacquered	W0100.6926.90
Handrail bracket for round rail, concealed M10 brass unlacquered	W0200.6926.90
Handrail bracket for round rail, concealed M10 polished nickel	W1100.6926.90
Handrail bracket for round rail, concealed M10 satin nickel unlacquered	W1300.6926.90
Handrail bracket for round rail, concealed M10 polished chrome	W2100.6926.90
Handrail bracket for round rail, concealed M10 satin chrome	W2300.6926.90
Handrail bracket for round rail, concealed M10 matt black	W3000.6926.90

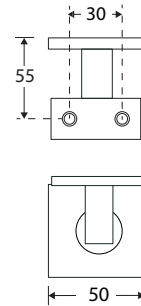


W1300.6926.90



BAUHAUS-STYLE HANDRAIL BRACKET FOR FLAT RAIL, CONCEALED M10

DESCRIPTION	NUMBER
Handrail bracket for flat rail, concealed M10 brass lacquered	W0100.6927.90
Handrail bracket for flat rail, concealed M10 brass unlacquered	W0200.6927.90
Handrail bracket for flat rail, concealed M10 polished nickel	W1100.6927.90
Handrail bracket for flat rail, concealed M10 satin nickel unlacquered	W1300.6927.90
Handrail bracket for flat rail, concealed M10 polished chrome	W2100.6927.90
Handrail bracket for flat rail, concealed M10 satin chrome	W2300.6927.90
Handrail bracket for flat rail, concealed M10 matt black	W3000.6927.90

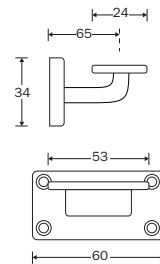


W1300.6927.90



CARDEA HANDRAIL BRACKET FOR FLAT RAIL, WITH SCREW HOLES

DESCRIPTION	NUMBER
Handrail bracket for flat rail, with screw holes polished nickel	W1150.6901.90
Handrail bracket for flat rail, with screw holes satin nickel lacquered	W1250.6901.90

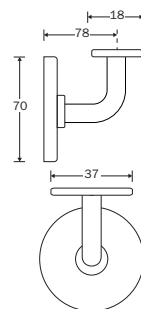


W1250.6901.90



CARDEA HANDRAIL BRACKET FOR FLAT RAIL, CONCEALED M8

DESCRIPTION	NUMBER
Handrail bracket for flat rail, concealed M8 brass lacquered	W0150.6900.90
Handrail bracket for flat rail, concealed M8 polished nickel	W1150.6900.90
Handrail bracket for flat rail, concealed M8 satin nickel lacquered	W1250.6900.90
Handrail bracket for flat rail, concealed M8 matt black	W3050.6900.90



W1250.6900.90



GENERAL INFORMATION

in relation to use of Mi Satori catalogue

EACH ARCHITECTURAL STYLE OR PRODUCT GROUP HAS ITS OWN SECTION

Mi Satori supplies a range of collections building hardware in different architectural styles. In this catalogue, each architectural style is presented in its own section. All products can also be found in a section where the products are presented clustered in product groups according to the function of the product. This makes it easy to find the product you're looking for. Each architectural style or product group is identifiable with its own tab and/or colour.



MI SATORI ARCHITECTURAL HARDWARE

TIMELINE

The timeline on pages 10 and 11 visualises the different architectural styles and their construction period. It is therefore easy to choose the fixtures and fittings that best suit your home's architectural style. The coloured block at the top of the timeline column refers to the corresponding coloured tab in the catalogue.

COMPLETE PRODUCT LINES

A number of fully developed product lines are available for each architectural style. Each product line offers a wide range of solutions for external and internal doors, windows and furnishings. Within a architectural style, there are

often a number of product lines that match this architectural style perfectly. With this collection, Mi Satori is providing the opportunity to implement a style or model throughout your home. Thus creating more harmony and a higher level of comfort.

SETS

To make it easier to choose from our extensive collection, we have created sets of the most common combinations of door handles, rosettes and back plates within the Mi Satori range. Sets can be ordered using the unique set number on the photo. In order to fulfil your creative ambitions, all parts can also be ordered separately and in an infinite number of combinations.



If you are looking for a specific product or function you can find all products in the section where they are presented clustered in product groups according to the function of the products. This allows you to compile your ideal product combination depending on your personal requirements.

FINISH (COLOUR)

Within our product lines, all products are available in the same finish. The colour code can be read in the colour table at the bottom of each page. The correct item number for the order can be obtained by placing this colour code in front of the item number. Example: the colour code for shiny nickel is W11. The Dudok door handle has number 00.0022.45, making the correct item number for the Dudok door handle in shiny nickel W1100.0022.45. If you wish to receive products in a finish other than our indicated standard, please ask us for the available options.

EXTERNAL DOOR FITTINGS

For each architectural style, the section with hardware designed for external use starts on a new page. Products used outside require a stronger finish than products used inside. We therefore, for example, recommend shiny nickel only for indoors while shiny chrome can also be used outdoors. Products belonging to the external door but used on the inside, such as a draft flap are, in the product colour table, indicated in italics. The product description of these products is also in italics. In the colour table is listed whether products in this specific finish are suitable for outside use. Mi Satori recommends not to use products that contain ebony outside. For these products we have an alternative, in which the ebony is replaced by bakelite or black powder-coated brass parts.

DETAILS

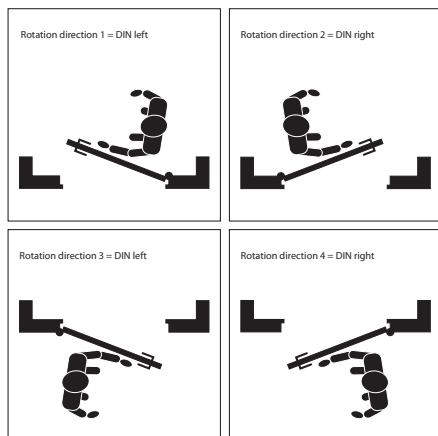
- An L or R behind an item number indicates whether the product is pointing left or right. An I behind the item number stands for internal hexagonal socket.
- Products designed for an external door are indicated by the internal situation at all times. The internal situation will be mentioned first, for example, colour.
- Items indicated with -L- are only available to order with a delivery time upon request.
- All products come with the correct attachments.
- All safety plates are supplied with screws suitable for doors that are 40-60mm thick. For thicker doors, longer screws can be ordered in addition.
- A pull-bell set comes with a mushroom knob attached to a spindle, a round rosette, two bell cranks and a bell. The cord used to connect these parts is not included. The bell crank can be attached using the screw provided or using a rivet, which can be ordered separately.
- In terms of dimensions, the letter plates from the external door fitting section meet the Dutch postal requirements.



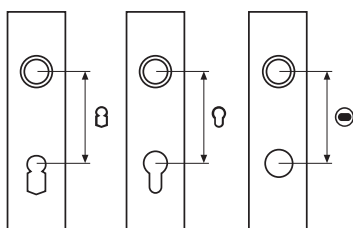
GENERAL INFORMATION

Rotation directions & sizes

ROTATION DIRECTIONS



COVER PLATE SIZES



Cover plates come blind, or with a hole for profile cylinder, keyhole or toilet keyhole. See the drawing above to determine the correct point for the centre of the hole. Half doorknobs or door handles can be ordered as half a pair (oriented to the right or left) if so they are supplied without a spindle.

SKG SECURITY CERTIFICATION

Some of the products of Mi Satori carry SKG certification. This Dutch certificate is supplied by the independent Building Façade Quality Foundation (SKG). Building hardware that has proven to actually reduce the risk of burglary can be certified by SKG. Testing prior to certification takes place according to assessment guideline (BRL) 3104. This means that the product:

- has to meet relevant requirements as set out in NEN standard 5089. (including supplements according to Annex IV to the BRL 3104)
- should be able to withstand a manual test (burglar-proof). SKG certification also means that the quality of the products is monitored by SKG by means of random sampling.

The following describes the three classes of burglar-proof hinges and locks for windows, doors and shutters as formulated in the BRL 3104.



SKG
* STANDARD CLASS

Products that can be combined with another burglary prevention product to offer a burglary delay of at least three minutes.



SKG
** HEAVY CLASS

Products that can delay a break-in on their own for at least three minutes, or products can be combined with another burglary prevention product, delay an attempted break-in by at least five minutes.



SKG
*** VERY HEAVY CLASS

Products that can delay a break-in on their own for at least five minutes.

LEGEND

- Ω Lever handle support spring
- ∅ Cross-section
- Satin nickel laquered
- ▮ Various indoor/outdoor finishes
- ▮ PVD outdoors, but not inside
- ▮ Entirely PVD
- ✓ Forest Friendly wood



GENERAL INFORMATION

and maintenance tips

THE MI SATORI BUILDING FITTINGS ADD A LOVELY TOUCH TO YOUR HOME BOTH NOW AND IN THE FUTURE. BUILDING FITTINGS ARE USED REGULARLY; YOU HANDLE THEM EVERY DAY, AND THAT MEANS THEY NEED TO BE MAINTAINED. WEATHER, AIR POLLUTION AND FREQUENT USE CAUSE SIGNS OF WEAR AND TEAR, INSIDE AND OUTSIDE THE HOME. IN SOME AREAS, SUCH AS COASTAL REGIONS, FORESTS AND AREAS NEAR HEAVY INDUSTRIAL OR CHEMICAL PLANTS, BUILDING FITTINGS ARE AFFECTED MORE THAN AVERAGE. REGULAR CLEANING PREVENTS FIXTURES AND FITTINGS FROM GETTING DIRTY PERMANENTLY.

All metals are subject to oxidation. These factors will influence the external appearance of your building fittings. To prevent disappointment, we would like to make sure you know how to handle them. The following overview lists the various materials used in our building fittings and their specific properties and requirements.

Building fittings are often replaced when a building is renovated or restored. If aggressive (chemical) cleaners are used in the course of building work, it is strongly advised to remove the building fittings and store them in a different place. Your building fittings should not be installed until all the (chemical) fumes have been neutralised as much as possible in the relevant room

Windows and doors are generally made of (hard) wood. Wood is a natural product. As a result, sap or resin may leak ('bleed') out when you work the wood, for example by planing or drilling. Your fittings can be damaged by the resin. Give the wood sufficient time to finish 'bleeding' before you paint the wood and install your fittings.

Avoid the use of abrasive substances and aggressive cleaners on all of our fittings. Sharp objects can cause scratches, dent or chips on your window and door fittings thus making them look unattractive.

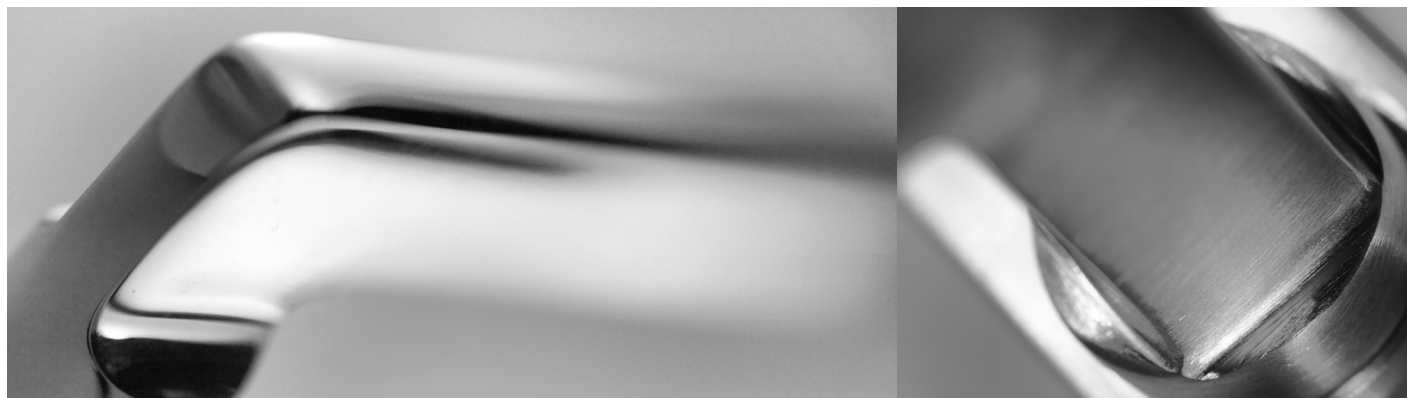
POLISHED AND UN-LACQUERED BRASS

Brass is an alloy made of 60% copper and 40% zinc. Brass architectural hardware products without lacquer are entirely suitable for use on both inside and outside a building. The brass is polished but has not been covered in a layer of lacquer. As a result, in time the product becomes slightly duller and darker due to the way it reacts with the air (oxidation). This tarnished effect may be preferred, especially in restoring older buildings. If the product is polished regularly, it will retain its shine.

Polish regularly with a soft cloth and copper polish. You may want to apply a thin layer of wax polish or acid-free Vaseline after polishing. Do not use abrasive or aggressive cleaners.

POLISHED LACQUERED & SATIN NICKEL LACQUERED BRASS

Lacquered fittings retain their sheeny finish. The lacquer layer prevents oxidation from affecting the surface. The lacquer can be damaged with use, this happens easily when wearing rings or other hard objects. This can cause oxidation of the underlying surface. There is no point in polishing the material, since some of the lacquer layer is still intact. The remaining lacquer must be removed before the surface can be polished. After removing the lacquer, it is sometimes possible to reapply a layer of lacquer. A lacquer layer will not offer sufficient protection for outside use. The lacquer cannot withstand the impact of weather conditions and air pollution. A PVD product offers an excellent alternative. *Wipe the lacquered fittings regularly with a soft, dry cloth. Do not use abrasive or aggressive cleaners.*





ANTIQUE BRASS

Our antique (tumbled) brass building fittings are entirely suitable for use on door fittings both inside and outside the buildings. The surface of the 'tumbled' brass has a matt, speckled structure. These fittings are not lacquered. As a result, the product becomes slightly duller and darker due to the way it reacts with the air (oxidation). This tarnished effect may be preferred, especially in restoring older buildings. *Wipe the fittings regularly with a soft, dry cloth. You may want to apply a thin layer of wax polish or acid-free Vaseline after polishing. Do not use abrasive or aggressive cleaners.*

POLISHED NICKEL & ANTIQUE NICKEL BRASS

Building fittings with a polished or antique nickel finish are covered in layer of nickel. These fittings are not suitable for use outdoors or in damp rooms. (Use in damp conditions is not covered by warranty.) It is not possible to repair damage to the nickel layer. Contact with sharp objects like rings and keys should be avoided as much as possible. *Wipe the fittings regularly with a soft, dry cloth. You may want to apply a thin layer of wax polish or acid-free Vaseline after polishing. Do not use abrasive or aggressive cleaners.*

UNLACQUERED SATIN NICKEL BRASS

In the satin nickel finish, the brass layer has been brushed to produce a satin structure. Since nickel is a relatively soft metal, intensive use (or contact with sharp objects) may cause wear and tear of the nickel layer. The brass may become visible as a result. It is not possible to repair damage to the nickel layer. Contact with sharp objects like keys should be avoided as much as possible. Products in satin nickel are not suitable for use outside the home or in damp rooms. The PVD finish is suitable for use in damp conditions. *Wipe the fittings regularly with a soft, dry cloth. You may want to apply a thin layer of wax polish or acid-free Vaseline after polishing. Do not use abrasive or aggressive cleaners.*

POLISHED CHROME, SATIN CHROME & ANTIQUE CHROME BRASS

Products in a polished, satin or antique chrome finish have been covered in a layer of chrome. In the satin chrome finish, the brass layer has been brushed to produce a matt structure. The chrome layer is a strong finish. Products with a chrome finish are ideally suited for frequently used areas, outdoor use or damp rooms. *Wipe the fittings regularly with a soft, damp cloth. Do not use abrasive or aggressive cleaners.*

MATT BLACK BRASS

Products covered in a black powder coating are ideally suited for outdoor use. This product is very low maintenance, but is not as strong as a PVD finish. It is not possible to repair damage to the lacquer layer. The coating changes color when it is exposed to UV light and in time will become more grey. *Wipe the fittings regularly with a soft, damp cloth. Do not use abrasive or aggressive cleaners.*

POLISHED PVD & SATIN NICKEL PVD BRASS

The brass product is covered in a thin layer of zirconium in a brass or satin nickel colour. This hard layer prevents the product from losing its shine and makes it ideally suited for outdoor use. The Physical Vapor Deposit or PVD finish protects the fittings from weather and normal levels of air pollution. Normal use will cause little to no damage to a PVD product. Dirt that remains on the product for a long time will have the ability to corrode, despite the hard layer. It is also important to maintain PVD. *Wipe the fittings regularly with a soft, damp cloth. Do not use abrasive or aggressive cleaners.*

Various of our products have been fitted with grips made of ebony wood. To give the wood a deep, dark colour, the wood is oiled after turning. This means that the ebony parts sometimes give off some of their black colour. When the ebony starts to become somewhat tarnished or grey, you can polish it using a cloth dipped in rubbing alcohol.

As an alternative to ebony, Mi Satori has Forest Friendly wood. This specially selected wood has almost the same grain as ebony. By staining it, it becomes black. These small barrels are then oiled too. This means that the Forest Friendly barrels sometimes give off some of their black colour too. When the Forest Friendly wood starts to become somewhat tarnished or grey, you can polish it using a cloth dipped in rubbing alcohol.

INDEX

A

Awning window operator Elegant	32, 136, 154, 277
Awning window operator rotatable	278

B

Backplate Art-Deco	209 - 211
Backplate Art-Nouveau	208, 209
Backplate Bauhaus-Style	200 - 202
Backplate Bauhaus-Style smal	202 - 205
Backplate Diritto	216, 217
Backplate Dual	211, 212
Backplate Elegant	212, 213
Backplate Elegant	212
Backplate Ellipse	205 - 207
Backplate Modern	195 - 197
Backplate Noviatres	215, 216
Backplate Ovale	214
Backplate Quattro	217, 218
Backplate Quattro short	218, 219
Backplate Rondo	214, 215
Backplate Slim	197 - 200
Ball bearing hinge round corner ball tip	75, 128, 233
Ball bearing hinge round corner crown tip	89, 145, 234
Ball bearing hinge round corner flat tip	17, 31, 41, 232
Ball bearing hinge straight corner ball tip	236
Ball bearing hinge straight corner crown tip	237
Ball bearing hinge straight corner flat tip	235
Bell pull crank	329
Bell pull parts Champignon	329
Blank escutcheon Vivo	186

C

Cabin hook	240
Cabinet handles	362 - 368
Cabinet knobs	352 - 362
Cable holder	375
Cap for lever hole	220
Casement stay with pin Antique	146, 276
Casement stay with pin Bauhaus-Style	42, 51, 58, 60, 274
Casement stay with pin Bonton	105, 112, 275
Casement stay with pin Dual	32, 274
Casement stay with pin Dudok	76, 90, 275
Casement stay with pin Kare	25, 274
Casement stay with pin Nouveau	163, 276
Casement stay with pin Ton	120, 129, 275, 276
Chain for window pin	280
Coat hook F	373
Coat hook Gancio	373, 374
Coat hook Y	372
Cupboard knob big concealed Linea	91, 250
Cupboard knob big with screw holes Nouveau	165, 250
Cupboard knob big with screw holes Ton	124, 250
Cylinder lock for glass door 8-12mm	237

D

Door handle Antique	181
Door handle Art-Deco	180
Door handle Banana	178
Door handle Barock	182
Door handle Baton	180
Door handle Bauhaus-Style	176
Door handle Bonton	179
Door handle Chemin de Fer	177
Door handle Dual	175 - 176
Door handle Dudok	178
Door handle Frankfurt	176 - 177
Door handle Half Sabre	177
Door handle Kare	175
Door handle Linea	178
Door handle Nouveau	181 - 182
Door handle Padania	175
Door handle Piatto	175
Door handle Roman	181
Door handle Ton	179 - 180
Door handle Wig	177
Door hatch	342
Door holder	239
Door knocker Anello	84, 95, 150, 330
Door knocker Firenze	330, 331

Door stoppers	238, 239
Doorbell	109, 328
Doorbell part	329
Draught flap with brush	324, 325
Drilling mold mini rosette	223

E

Enamel disk free/occupied throwover catch frei/besetzt	222
Enamel disk free/occupied throwover catch libre/occupe	222
Enamel disk free/occupied throwover catch vacant/occupied	222
Enamel disk free/occupied throwover catch vrij/bezet	222
End bracket for espagnolette halfround bar	297
End catch for Fanlight catch	278
End catch for lockable window handle, open to inside	265 - 266
Espagnolette bar	292
Espagnolette bar elongation set with bar	293
Espagnolette lock, for square bar	43, 91, 294
Espagnolette pull knob for square bar Elegant	78, 122, 294
Euro profile escutcheon 50mm Chemin de Fer	189
Euro profile escutcheon Bauhaus-Style	188
Euro profile escutcheon Blind Bauhaus-Style	187
Euro profile escutcheon Bonton	193
Euro profile escutcheon Elegant	191
Euro profile escutcheon Facet	191
Euro profile escutcheon Mini round	190
Euro profile escutcheon Mini square	190
Euro profile escutcheon Nouveau	195
Euro profile escutcheon Oval	194
Euro profile escutcheon square	192
Euro profile escutcheon Vivo	186
Euro profile rosette 50mm Chemin de Fer	189
Euro profile rosette Bauhaus-Style	188
Euro profile rosette Blind Bauhaus-Style	187
Euro profile rosette Bonton	193
Euro profile rosette Elegant	191
Euro profile rosette Facet	191
Euro profile rosette Mini round	190
Euro profile rosette Mini square	190
Euro profile rosette Nouveau	195
Euro profile rosette Oval	194
Euro profile rosette square	192
Euro profile rosette Vivo	186
Extended strike plate for halfround bar	297
Extended strike plate for square bar	294
Extension flush bolt Elegant	251

F

Fanlight catch Elegant	120, 154, 278
Flush bolt Elegant	251
Flush handle Art-Deco	136, 243
Flush handle Dual	34, 243
Flush handle Elegant	78, 123, 243
Flush handle Ellipse	243
Flush handle pull / blind round	349, 350
Flush handle pull / pull round	349
Flush handle rectangular touch-inn	241, 352
Flush handle rectangular touch-inn bathroom	241
Flush handle Regina	18, 241, 352
Flush handle Renate	242, 353
Flush handle round	347, 348
Flush handle round touch-inn	348, 349
Flush handle square	350 - 352
Folding hook	372
Free occupied set 5-8 mm Vivo	220
Free occupied spindle 5-8mm Bauhaus-Style	221
Free occupied spindle 5-8mm Chemin de Fer	221
Free occupied spindle 5-8mm Dual	221
Free occupied spindle 5-8mm Elegant	220
Free occupied spindle 5-8mm Piatto	220
Free occupied throwover catch flat, complete red/green	118, 222
Free occupied throwover catch with elbow, complete red/green	60, 74, 88, 144, 222
Front door knob Ball	46, 326
Front door knob Chemin de Fer	70, 327
Front door knob Fungo	82, 149, 94, 326
Front door knob Nouveau	167, 326
Front door knobs	326 - 327
Furniture handles	362 - 368
Furniture knobs	352 - 362

G			
Glass door 8-12mm cylinder lock	237		
Glass door 8-12mm hinge	238		
Glass door 8-12mm latch lock	237		
Guide bracket for halfround bar	297		
Guide bracket for square bar	293, 294		
H			
Handrail bracket Bauhaus-Style	26, 52, 377		
Handrail bracket Cardea	377		
Handrail bracket Elegant	19, 80, 92, 376, 377		
Hasp for window lever handle, open to inside	273		
Hat hook Bern	80, 371		
Hat hook Revolving wende	137, 156, 371		
Hatch ring concealed	35, 347		
Hatch ring rectangular	137, 156, 345		
Hatch ring rectangular with square ring	52, 346, 347		
Hatch ring round	345		
Hexagon screwdriver 3 mm	227		
Hinge for glass door 8-12mm	238		
Hinges with ball bearing Mi Satori	232 - 237		
Hole part T Bonton	183		
Hole part T Chemin de Fer	182		
Hole part T Kare	182		
Hole part T Linea	183		
Hole part T Nouveau	183		
Hole part T Ton	183		
Hotel ball key holder	331		
House letter Roman	339, 340		
House number Roman	334 - 338		
I			
Inside letter plate flat with spring	325		
K			
Key escutcheon Bauhaus-Style	188		
Key escutcheon Bonton	193		
Key escutcheon Chemin de Fer	188, 189		
Key escutcheon concealed Bauhaus-Style	187		
Key escutcheon Elegant	191		
Key escutcheon Facet	191		
Key escutcheon Mini round	189		
Key escutcheon Mini square	190		
Key escutcheon Nouveau	194		
Key escutcheon Oval	194		
Key escutcheon square	192		
Key escutcheon Vivo	186		
Knob for security backplates and roses Bauhaus Ball off center	320		
Knob for security backplates and rosettes Art-Deco	321		
Knob for security backplates and rosettes Art-Nouveau	322		
Knob for security backplates and rosettes Ball	320		
Knob for security backplates and rosettes Bauhaus-Style	320		
Knob for security backplates and rosettes Chemin de Fer T	321		
Knob for security backplates and rosettes Dual	322		
Knob for security backplates and rosettes Egg	321		
Knob for security backplates and rosettes Fungo	321		
Knob handle Art-Deco	185		
Knob handle Ball	184		
Knob handle Bauhaus-Style	185		
Knob handle Egg	184		
Knob handle set Art-Deco on backplate	134		
Knob handle set Ball	16		
Knob handle set Ball on backplate	16		
Knob handle set Bauhaus-Style	40		
Knob handle set Egg	144		
Knob handle set Egg on backplate	74, 153		
Knobs for security backplates and roses Mi Satori	320 - 322		
Knuckle hinge cap blunt 2 pieces	238		
L			
Latch lock for glass door 8-12mm	237		
Letter plate Verta	325		
Letter plates	323, 324		
Lever bearing 20 mm	229		
Lever espagnolette Antique	147, 290		
Lever espagnolette bars Dual	33, 284		
Lever espagnolette bars Egg	77, 290		
Lever espagnolette Bauhaus-Style	43, 51, 286		
Lever espagnolette Bonton	106, 278, 288		
Lever espagnolette Chemin de Fer	67, 287		
Lever espagnolette Elegant	290, 291		
Lever espagnolette halfround bars Egg	77, 296		
Lever espagnolette lockable, Bonton	106, 113, 288		
Lever espagnolette lockable, Dual	33, 285		
Lever espagnolette lockable, Linea	91, 285		
Lever espagnolette Rectangular universal	292		
Lever espagnolette Roman	155, 290		
Lever espagnolette T Bonton	106, 113, 287, 288		
Lever espagnolette T Chemin de Fer	67, 287		
Lever espagnolette T Dual	33, 285		
Lever espagnolette T halfround bars Bonton	107, 114, 295		
Lever espagnolette T halfround bars Linea	91, 295		
Lever espagnolette T halfround bars Nouveau	164, 296		
Lever espagnolette T halfround bars Ton	122, 295		
Lever espagnolette T halfround bars Ton	130, 296		
Lever espagnolette T Kare	26, 284		
Lever espagnolette T Nouveau	164, 290		
Lever espagnolette T Ton	122, 289		
Lever espagnolette Ton	121, 130, 289		
Lever handle set Antique	143, 151		
Lever handle set Antique on backplate	143, 151		
Lever handle set Art-Deco	134		
Lever handle set Art-Deco on backplate	134		
Lever handle set Banana	86		
Lever handle set Banana on backplate	86		
Lever handle set Barock	171		
Lever handle set Barock on backplate	171		
Lever handle set Baton	132		
Lever handle set Baton on backplate	132		
Lever handle set Bauhaus-Style	39		
Lever handle set Bauhaus-Style	48		
Lever handle set Bauhaus-Style	48		
Lever handle set Bauhaus-Style	39		
Lever handle set Bauhaus-Style	48		
Lever handle set Bauhaus-Style	39		
Lever handle set Bauhaus-Style on backplate	40, 49		
Lever handle set Bonton	103, 110		
Lever handle set Bonton on backplate	103, 110		
Lever handle set Chemin de Fer L	65		
Lever handle set Dual	30		
Lever handle set Dual on backplate	30		
Lever handle set Dudok	99		
Lever handle set Dudok on backplate	99		
Lever handle set Frankfurt	56, 59		
Lever handle set Frankfurt on backplate	57, 59		
Lever handle set Half Sabre	73		
Lever handle set Half Sabre on backplate	73		
Lever handle set Kare	24		
Lever handle set Kare on backplate	24		
Lever handle set Linea	87, 97		
Lever handle set Linea on backplate	88, 97		
Lever handle set Nouveau	161, 169, 170		
Lever handle set Nouveau on backplate	161, 169, 170		
Lever handle set Padania	15		
Lever handle set Padania on backplate	15		
Lever handle set Piatto	22		
Lever handle set Piatto on backplate	23		
Lever handle set Roman	152		
Lever handle set Roman on backplate	152		
Lever handle set Ton	116, 127		
Lever handle set Ton on backplate	117, 127		
Lever handle set wig	63		
Lever handle set wig on backplate	64		
Lever rosette Bauhaus-Style	187		
Lever rosette Bonton	193		
Lever rosette Chemin de Fer	188, 189		
Lever rosette concealed Bauhaus-Style	186, 187		
Lever rosette Elegant	190		
Lever rosette Facet	191		
Lever rosette Mini round	189		
Lever rosette Mini square	190		
Lever rosette Nouveau	194		
Lever rosette square	192		
Lever rosette Vivo	185		
Lever spindle 8x8 mm	226		
Lock for glass door 8-12mm	237		
Lockable security TT mechanism	258, 259		
Lockable security TT mechanism with handle Antique	145		
Lockable security TT mechanism with handle Art-Deco	135		

INDEX

Lockable security TT mechanism with handle Bauhaus-Style	50	Rosette for pull bell set Holland	329
Lockable security TT mechanism with handle Bonton	104	Rosette for screw hook	375
Lockable security TT mechanism with handle Bonton	111	S	
Lockable security TT mechanism with handle Chemin de Fer	66	Sash fastener small	244
Lockable security TT mechanism with handle Frankfurt	61	Sash window fixing screw	280
Lockable security TT mechanism with handle Half Sabre	76	Sash window handle Bonton	112, 279
Lockable security TT mechanism with handle Kare	25	Sash window handle Elegant	77, 155, 279
Lockable security TT mechanism with handle Linea	90	Sash window handle Ton	105, 121, 129, 279
Lockable security TT mechanism with handle Nouveau	162	Screw connecting bold and sleeve	225
Lockable security TT mechanism with handle Padania	17	Screw hook with disk	374
Lockable security TT mechanism with handle Roman	154	Security backplate Art-Deco	318, 319
Longplate Art-Deco	209 - 211	Security backplate Art-Nouveau	316, 317
Longplate Art-Nouveau	208, 209	Security backplate Bauhaus-Style	308 - 310
Longplate Bauhaus-Style	200 - 202	Security backplate Bauhaus-Style Slim	311 - 313
Longplate Bauhaus-Style smal	202 - 205	Security backplate Dual	319, 320
Longplate Diritto	216, 217	Security backplate Ellipse	314, 315
Longplate Dual	211, 212	Security backplate Oval	302 - 304
Longplate Elegant	212, 213	Security backplate Slim	305 - 307
Longplate Elegant	212	Security Euro profile escutcheon Bauhaus-Style	301
Longplate Ellipse	205 - 207	Security Euro profile escutcheon Elegant	299, 300
Longplate Modern	195 - 197	Security hinge square ball tip	94, 322
Longplate Noviatres	215, 216	Security hinge square crown tip	323
Longplate Ovale	214	Security hinge square flat tip	21, 46, 322
Longplate Quattro	217, 218	Security knob handle set with pull protection Antique	148
Longplate Quattro short	218, 219	Security knob handle set with pull protection Art-Deco	138
Longplate Rondo	214, 215	Security knob handle set with pull protection Bauhaus-Style	45, 53
Longplate Slim	197 - 200	Security knob handle set with pull protection Bonton	108, 115
M		Security knob handle set with pull protection Chemin de Fer	69
Metal screw for security door handle sets	226	Security knob handle set with pull protection Dual	37
Mortice bolt	251	Security knob handle set with pull protection Elegant	81
Mortice bolt with free occupied indicator Elegant	221	Security knob handle set with pull protection Frankfurt	62
Mortice cabinet lock KH Nemeff	231	Security knob handle set with pull protection Kare	27
Mortice cabinet lock PZ Nemeff	231	Security knob handle set with pull protection Linea	93, 98
Mortice latch lock Nemeff	231	Security knob handle set with pull protection Nouveau	166
Mortice latch lock Nemeff	231	Security knob handle set with pull protection Padania	20
Mortice sash lock KH56 Nemeff	232	Security knob handle set with pull protection PZ72 Antique	148
Mortice sash lock PZ55 Nemeff	232	Security knob handle set with pull protection PZ72 Art-Deco	138
Mortice toilet lock 63-8mm Nemeff	231	Security knob handle set with pull protection PZ72 Bauhaus-Style	45, 46, 53, 54
Mounting lock	228	Security knob handle set with pull protection PZ72 Bonton	108, 115
N		Security knob handle set with pull protection PZ72 Chemin de Fer	69
Name plates	331 - 333	Security knob handle set with pull protection PZ72 Dual	37
Nut cap Elegant	327	Security knob handle set with pull protection PZ72 Frankfurt	62
O		Security knob handle set with pull protection PZ72 Half Sabre	81, 82
Ornamental cap nut	327	Security knob handle set with pull protection PZ72 Kare	27
P		Security knob handle set with pull protection PZ72 Kare	28
Patent rosette Ellipse	193	Security knob handle set with pull protection PZ72 Linea	93, 98
Patent rosette Oval	194	Security knob handle set with pull protection PZ72 Nouveau	166
Pin for casement stay	276, 277	Security knob handle set with pull protection PZ72 Padania	20
Pin lock cover rosette	85, 140, 160, 323	Security knob handle set with pull protection PZ72 Roman	157
Pull bell set complete Holland	83, 139, 158, 328	Security knob handle set with pull protection PZ72 Ton	125
Pull handle Antique	147, 249	Security knob handle set with pull protection PZ72 Ton	126
Pull handle Art-Deco	136, 249	Security knob handle set with pull protection Roman	157
Pull handle Bonton	107, 114, 247, 248	Security knob handle set with pull protection Ton	125
Pull handle Chemin de Fer	67, 70, 247, 341	Security lever handle set with pull protection Antique	148
Pull handle Dual	34, 245	Security lever handle set with pull protection Art-Deco	138
Pull handle Elegant	78, 244, 245	Security lever handle set with pull protection Bauhaus-Style	45, 53
Pull handle Nouveau	164, 249	Security lever handle set with pull protection Bonton	108, 115
Pull handle on round rosette Roman	155, 250	Security lever handle set with pull protection Chemin de Fer	69
Pull handle on round rosette Ton	130, 123, 248	Security lever handle set with pull protection Dual	37
Pull handle on square rosette Bauhaus-Style	51, 245, 246, 340	Security lever handle set with pull protection Elegant	81
Pull handle on square rosette Roman	156, 249	Security lever handle set with pull protection Frankfurt	62
Pull handle on square rosette Ton	122, 130, 248	Security lever handle set with pull protection Kare	27
Pull handles	340 - 343	Security lever handle set with pull protection Linea	93, 98
Pump espagnolette Antique	146, 284	Security lever handle set with pull protection Nouveau	166
Pump espagnolette Bauhaus-Style	43, 51, 282	Security lever handle set with pull protection Padania	20
Pump espagnolette Bonton	106, 113, 283	Security lever handle set with pull protection PZ72 Antique	148
Pump espagnolette Dual	33, 282	Security lever handle set with pull protection PZ72 Art-Deco	138
Pump espagnolette Elegant	18, 77, 136, 281	Security lever handle set with pull protection PZ72 Bauhaus-Style	45, 46, 53, 54
Pump espagnolette Frankfurt	58, 61, 283	Security lever handle set with pull protection PZ72 Bonton	108, 115
Pump espagnolette Nouveau	163, 284	Security lever handle set with pull protection PZ72 Chemin de Fer	69
Pump espagnolette Ton	121, 129, 283, 284	Security lever handle set with pull protection PZ72 Dual	37
R		Security lever handle set with pull protection PZ72 Frankfurt	62
Reception bell Elegant	331	Security lever handle set with pull protection PZ72 Half Sabre	81, 82
Reducer 16-18mm	229	Security lever handle set with pull protection PZ72 Kare	27
Reducer for spindels	229	Security lever handle set with pull protection PZ72 Kare	28
Renovation mounting set door thickness 56mm	225	Security lever handle set with pull protection PZ72 Linea	93, 89
		Security lever handle set with pull protection PZ72 Nouveau	166
		Security lever handle set with pull protection PZ72 Padania	20

Security lever handle set with pull protection PZ72 Roman	157
Security lever handle set with pull protection PZ72 Ton	125
Security lever handle set with pull protection PZ72 Ton	126
Security lever handle set with pull protection Roman	157
Security lever handle set with pull protection Ton	125
Security lever rosette Bauhaus-Style	300
Security lever rosette Elegant	299
Security Rosette Blind	300, 301
Security TT window handle lockable Antique	145, 257
Security TT window handle lockable Bauhaus-Style	41, 42, 50, 253
Security TT window handle lockable Bonton	104, 111, 255
Security TT window handle lockable Bonton	111, 255, 257
Security TT window handle lockable Dual	31, 253
Security TT window handle lockable Elegant	76
Security TT window handle lockable Frankfurt	57, 61, 253, 254
Security TT window handle lockable Linea	89, 254
Security TT window handle lockable Nouveau	162, 257, 258
Security TT window handle lockable Ton	119, 128, 256, 257
Security window fastener, open to outside Antique	146, 264
Security window fastener, open to outside Bauhaus-Style	42, 50, 260, 261
Security window fastener, open to outside Bonton	105, 112, 262
Security window fastener, open to outside Dual	32, 259
Security window fastener, open to outside Linea	90, 261
Security window fastener, open to outside Nouveau	163, 264
Security window fastener, open to outside Ton	120, 129, 263
Shim 3mm for lockable window handle	266
Shim 3mm for window handle	273
Short backplate Quattro	218, 219
Short spindle with nut	227
Showcase fastener Elegant	281
Sliding door handle Art-Deco	136, 243
Sliding door handle Dual	34, 243
Sliding door handle Elegant	78, 123, 243
Sliding door handle Ellipse	243
Sliding door handle pull / blind round	349, 350
Sliding door handle pull / pull round	349
Sliding door handle rectangular touch-inn	241, 352
Sliding door handle rectangular touch-inn bathroom	241
Sliding door handle Regina	18, 241, 352
Sliding door handle Renate	242, 353
Sliding door handle round	347, 348
Sliding door handle round touch-inn	348, 349
Sliding door handle square	350 - 352
Sliding door pull ring Elegant	78, 123, 244
Sliding door siphon Elegant	18, 79, 164, 240
Sliding door throwover catch Elegant	79, 123, 244
Spindle for connecting double pull handles Mi Satori	228
Strike plate for Fanlight catch	278
Strike plate for lockable window handle	265
Strike plate for window handle	273

T

Telescopic casement stay	17, 67, 135, 277
TT mechanism	258, 259
TT mechanism with handle Antique	145, 151
TT mechanism with handle Art-Deco	135
TT mechanism with handle Banana	86
TT mechanism with handle Barock	172
TT mechanism with handle Baton	133
TT mechanism with handle Bauhaus-Style	41, 49
TT mechanism with handle Bonton	104, 111
TT mechanism with handle Chemin de Fer L	66
TT mechanism with handle Dudok	100
TT mechanism with handle Frankfurt	57, 60
TT mechanism with handle Half Sabre	76
TT mechanism with handle Kare	25
TT mechanism with handle Linea	89
TT mechanism with handle Nouveau	162, 169, 170
TT mechanism with handle Padania	17
TT mechanism with handle Platto	23
TT mechanism with handle Roman	153
TT mechanism with handle Ton	118
TT mechanism with handle wig	64
TT window handle Dual	31
TT window handle Linea Small	254

W

Window lever handle, open to outside Antique	146, 272
Window lever handle, open to outside Bauhaus-Style	42, 50, 267, 268
Window lever handle, open to outside Bonton	105, 112, 270
Window lever handle, open to outside Dual	32, 267
Window lever handle, open to outside Dudok	75, 90, 269
Window lever handle, open to outside Frankfurt	58, 60, 268, 269
Window lever handle, open to outside Kare	25, 266
Window lever handle, open to outside Nouveau	163, 272
Window lever handle, open to outside Ton	119, 128, 271
Window limiter Elegant	121, 155, 279
Window pin without chain	280
window sash lock	281
Window scissor	279
Wood screw DIN 95, 4pcs	223 - 225

Blank lined writing area.

Lined writing area with horizontal lines.

Mi Satori

TOUCH | FEEL | KNOW

WALLEBROEK BENELUX B.V.
PASCALLAAN 88 | 8218 NJ LELYSTAD | THE NETHERLANDS
PHONE: 0031 (0)320 295 599 | FAX: 0031 (0)320 295 590
INFO@MI-SATORI.COM | WWW.MI-SATORI.COM

Mi Satori

TOUCH | FEEL | KNOW

WALLEBROEK BENELUX B.V.
PASCALLAAN 88 | 8218 NJ LELYSTAD | THE NETHERLANDS
PHONE: 0031 (0)320 295 599 | FAX: 0031 (0)320 295 590
INFO@MI-SATORI.COM | WWW.MI-SATORI.COM